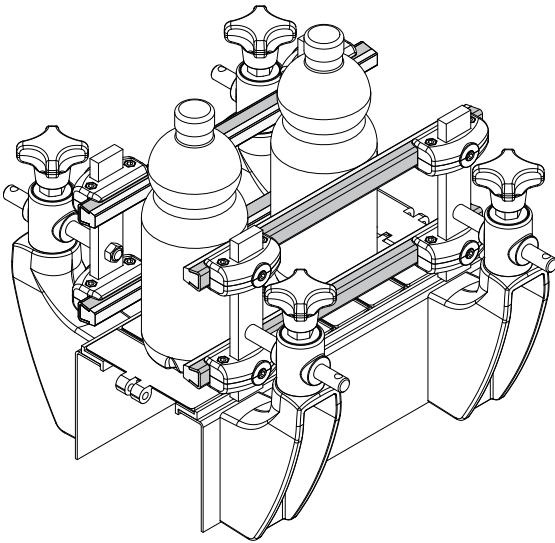


Product guides and accessories

Example of application

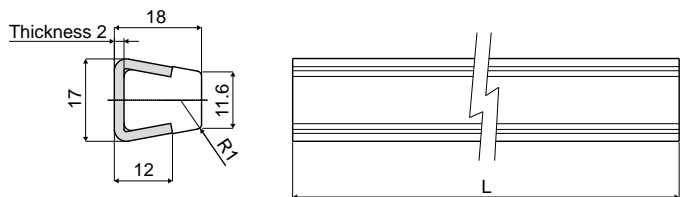


Guide rail for high temperatures (with metal profile)

Part. **377**



Operating temperatures up to 260°C



Code	L
377 / 83973	3000

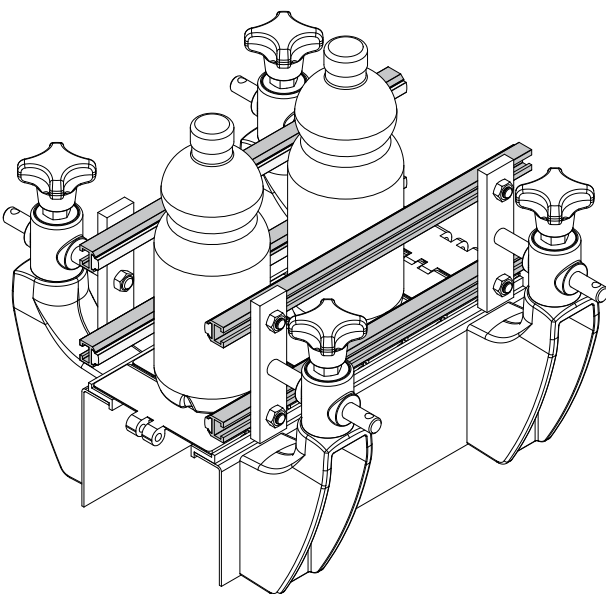
MATERIALS: Guide profile in PTFE (Teflon) natural colour; metal profile in stainless steel AISI 304.
FEATURES: To be used in every application where the resistance to the high temperatures is needed; for example: ovens, fryers, filling areas with high temperature, steam rooms, kitchens etc. Supplied in 3 meters.

BOX QUANTITY: 2 lengths of 3 meters (total 6 meters).

ON REQUEST:

- Metal profiles: Thickness 1,5 mm.
- Box quantities: According to your request.

Example of application

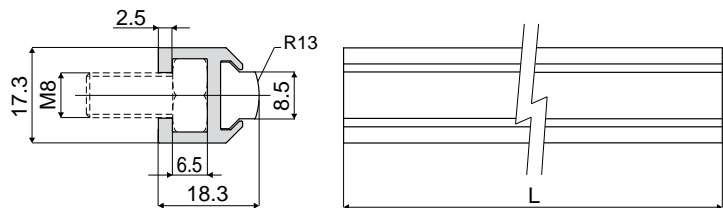


Guide rail (semicircular)

Part. **438**



NEW



Code	L
438 / 85237	3000
438 / 85238	6000

MATERIALS: Guide profile in UHMWPE white colour, metal profile in anodized aluminium.
BOX QUANTITY: 2 lengths of 6 mts. (total 12 mts.), or 2 lengths of 3 mts. (total 6 mts.).

ON REQUEST:

- Box Quantity: According to your request.