

COMPONENTS FOR CONVEYORS

# magris



MAKES MOVING

**CONST****R****UKTOR**<sup>TM</sup>  
www.construktor.com

**KOŁA ZĘBATE, PROWADNICE, PROFILE**





2010 ACCESSORIES CATALOG

contents	<b>4</b>	812/815/881M Series Machined sprockets
	<b>5</b>	812/815/881M Series Machined idler wheels
	<b>7</b>	812/815/881M Series Injected sprockets and idler wheels
	<b>7</b>	812/815/881M Series Injected sprockets
	<b>8</b>	812/815/881M Series Injected idler wheels
	<b>9</b>	815 mini Series Machined sprockets
	<b>10</b>	815 mini Series Machined idler wheels
	<b>12</b>	802/804/805 Series Machined sprockets
	<b>13</b>	802/804/805 Series Machined idler wheels
	<b>15</b>	802/805 Series Injected sprockets and idler wheels
	<b>15</b>	802/805 Series Injected idler wheels
	<b>16</b>	8127/8817M Series Machined sprockets
	<b>17</b>	8127/8817M Series Machined idler wheels
	<b>19</b>	8127/8817M Series Injected sprockets and idler wheels
	<b>19</b>	8127/8817M Series Injected idler wheels
	<b>20</b>	881/8811/881TAB/8811TAB/8811R-TAB/815TAB Series Machined sprockets
	<b>21</b>	881/8811/881TAB/8811TAB/8811R-TAB/815TAB Series Machined idler wheels
	<b>22</b>	881TAB/8811TAB/8811R-TAB/815TAB Series Machined idler wheels
	<b>23</b>	881/8811 Series Machined idler wheels
	<b>24</b>	881/8811/881TAB/8811TAB Series Injected sprockets
	<b>25</b>	881/8811/881TAB/8811TAB/8811R-TAB/815TAB Series Injected idler wheels
	<b>25</b>	881TAB/8811TAB/8811R-TAB/815TAB Series Injected idler wheels
	<b>26</b>	881/8811 Series Injected idler wheels

<b>27</b>	820/831/LBP831 Series Machined sprockets	<b>47</b>	882TAB/LBP882TAB Series Injected idler wheels
<b>28</b>	820/831/LBP831 Series Machined idler wheels	<b>48</b>	780M/780MFG/780TAB/780FGTAB/790TAB Series Injected sprockets and idler wheels
<b>30</b>	820 Series Injected sprockets and idler wheels	<b>48</b>	780M/780MFG/780TAB/780FGTAB/790TAB Series Machined sprockets
<b>30</b>	820 Series Injected sprockets	<b>49</b>	1700/1701/1702 Series Machined sprockets and idler wheels
<b>31</b>	831/LBP831 Series Injected sprockets	<b>50</b>	1700/1701/1702 Series Injected sprockets and idler wheels
<b>31</b>	820/831/LBP831 Series Injected idler wheels	<b>50</b>	1700/1701/1702 Series Machined sprockets and idler wheels
<b>32</b>	821/LBP821 Series Machined sprockets	<b>51</b>	600 Series Machined sprockets and idler wheels
<b>33</b>	821/LBP821 Series Machined idler wheels	<b>51</b>	1400 Series Machined sprockets and idler wheels
<b>34</b>	821/LBP821 Series Injected sprockets and idler wheels	<b>52</b>	Key seat tolerances and dimensions UNI 6604-69/ISO773/DIN6885
<b>35</b>	821/LBP821 Series Injected idler wheels	<b>54</b>	780/790/878/879/880/881/8811 Series Sideflexing guides for TAB type chains
<b>36</b>	878TAB/879/879TAB/879M/880/880TAB/880M Series Machined sprockets	<b>56</b>	878/879/880/881/8811 Series Sideflexing guides for Bevel 8° type chains
<b>37</b>	878TAB/879/879TAB/879M/880/880TAB/880M Series Machined idler wheels	<b>58</b>	882TAB/LBP882TAB Series Sideflexing guides for TAB type chains
<b>38</b>	879/879M/880/880M Series Machined idler wheels	<b>59</b>	882TAB/882 Series Sideflexing guides for chains
<b>39</b>	878TAB/879TAB/880TAB Series Machined idler wheels	<b>60</b>	882 Series Sideflexing guides for Bevel 8° type chains
<b>40</b>	878TAB/879TAB/880TAB Series Injected sprockets and idler wheels	<b>61</b>	1873/1874 Series Sideflexing guides for TAB type chains
<b>41</b>	879/879M/880/880M Series Injected idler wheels	<b>62</b>	1700/1700TAB/1701TAB/1702 Series Sideflexing guides for multiflex chains
<b>41</b>	878TAB/879TAB/880TAB Series Injected idler wheels	<b>64</b>	780TAB/790TAB/880TAB/881TAB/8811TAB 882TAB/1873TAB/1874TAB Series Straight guides for TAB type chains
<b>42</b>	882/882TAB/882M/8257/LBP8257/ LBP882M/LBP882TAB Series Machined sprockets	<b>64</b>	878/879/880/881/8811/882 Series Straight guides for Bevel 8° TAB type chains
<b>43</b>	882/882TAB/882M/8257/LBP8257/ LBP882M/LBP882TAB Series Machined idler wheels	<b>66</b>	Guide rail profiles for conveyor chains
<b>44</b>	882TAB/LBP882TAB Series Machined idler wheels	<b>68</b>	Metal profiles
<b>45</b>	882M/8257/LBP8257/LBP882M Series Machined idler wheels	<b>70</b>	Conveyor belts
<b>46</b>	882/882TAB/882M/8257/LBP8257 Series Injected sprockets and idler wheels	<b>70</b>	Conveyor design
<b>47</b>	882M/8257/LBP8257/LBP882M Series Injected idler wheels	<b>72</b>	Credits



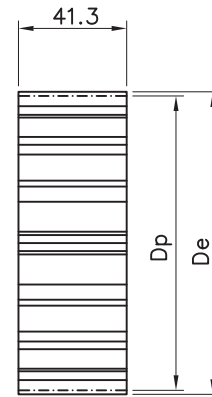
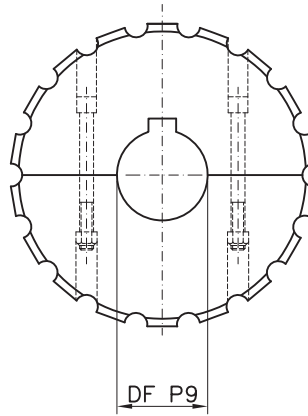
**MACHINED SPROCKETS**  
**812/815/881M Series**

Split sprockets

material: polyamide - screws in stainless steel

UNI 6604-69 key seat

CODE	Z	De	Dp	A	Df
S11017 18	17	103.9	105.47	55.9	18*
S11017 25					25
S11017 30					30
S11017 35					35
S11017 40					40
S11019 18	19	117.0	117.34	61.9	18*
S11019 25					25
S11019 30					30
S11019 35					35
S11019 40					40
S11021 18	21	129.0	129.26	67.8	18*
S11021 25					25
S11021 30					30
S11021 35					35
S11021 40					40
S11023 18	23	142.0	141.21	73.8	18*
S11023 25					25
S11023 30					30
S11023 35					35
S11023 40					40
S11025 18	25	154.0	153.21	79.8	18*
S11025 25					25
S11025 30					30
S11025 35					35
S11025 40					40
S11027 18	27	166.8	165.2	85.8	18*
S11027 25					25
S11027 30					30
S11027 35					35
S11027 40					40
S11029 18	29	178.5	177.24	91.8	18*
S11029 25					25
S11029 30					30
S11029 35					35
S11029 40					40



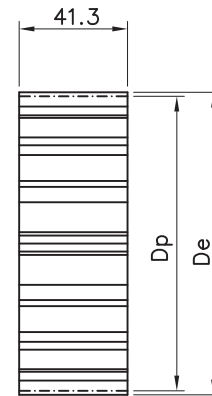
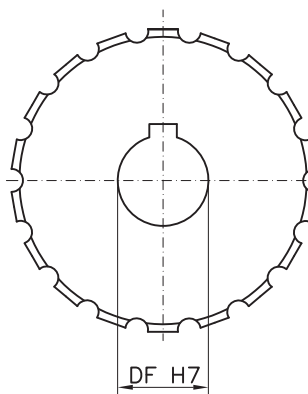
Standard sprockets

material: polyamide

UNI 6604-69 key seat

\* plain bore

CODE	Z	De	Dp	A	Df
S01017 25	17	103.9	105.47	55.9	25
S01017 30					30
S01017 35					35
S01017 40					40
S01019 25					19
S01019 30	30				
S01019 35	35				
S01019 40	40				
S01021 25	21	129.0	129.26	67.8	
S01021 30					30
S01021 35					35
S01021 40					40
S01023 25					23
S01023 30	30				
S01023 35	35				
S01023 40	40				
S01025 25	25	154.0	153.21	79.8	
S01025 30					30
S01025 35					35
S01025 40					40
S01027 25					27
S01027 30	30				
S01027 35	35				
S01027 40	40				
S01029 25	29	178.5	177.24	91.8	
S01029 30					30
S01029 35					35
S01029 40					40

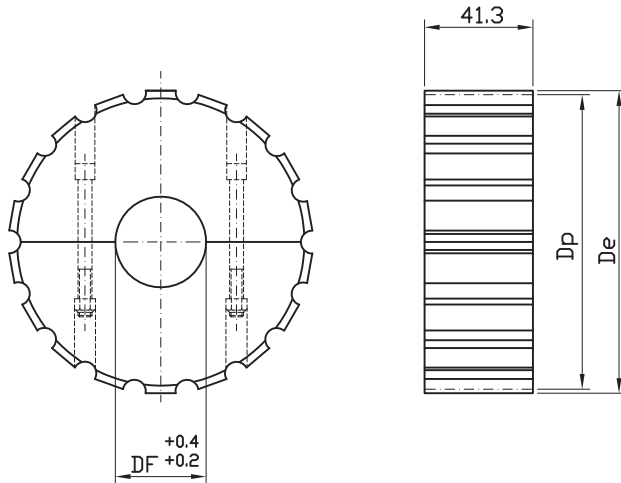


**MACHINED IDLER WHEELS**  
**812/815/881M Series**



Split idler wheels

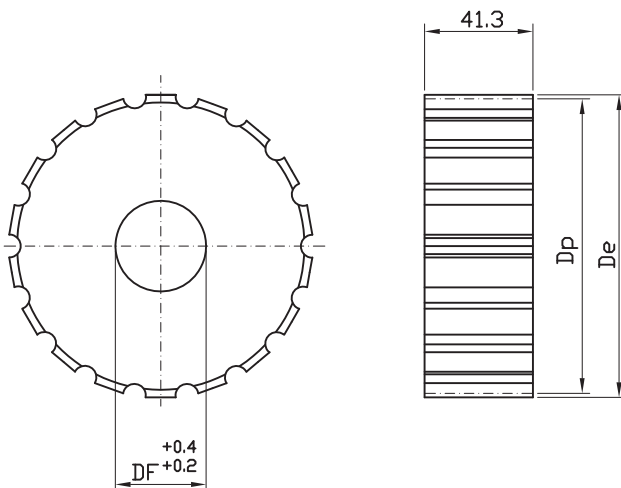
material: polyamide - screws in stainless steel



CODE	Z	De	Dp	A	Df
R11017 25	17	103.9	105.47	55.9	25
R11017 30					30
R11017 35					35
R11017 40					40
R11019 25	19	117.0	117.34	61.9	25
R11019 30					30
R11019 35					35
R11019 40					40
R11021 25	21	129.0	129.26	67.8	25
R11021 30					30
R11021 35					35
R11021 40					40
R11023 25	23	142.0	141.21	73.8	25
R11023 30					30
R11023 35					35
R11023 40					40
R11025 25	25	154.0	153.21	79.8	25
R11025 30					30
R11025 35					35
R11025 40					40
R11027 25	27	166.8	165.2	85.8	25
R11027 30					30
R11027 35					35
R11027 40					40
R11029 25	29	178.5	177.24	91.8	25
R11029 30					30
R11029 35					35
R11029 40					40

Standard idler wheels

material: polyamide



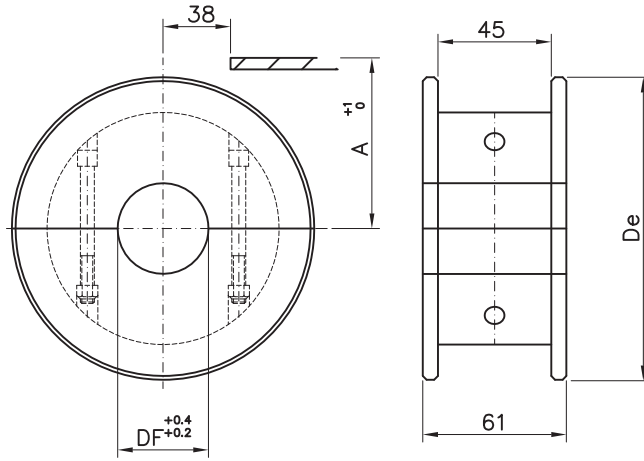
CODE	Z	De	Dp	A	Df
R01017 25	17	103.9	105.47	55.9	25
R01017 30					30
R01017 35					35
R01017 40					40
R01019 25	19	117.0	117.34	61.9	25
R01019 30					30
R01019 35					35
R01019 40					40
R01021 25	21	129.0	129.26	67.8	25
R01021 30					30
R01021 35					35
R01021 40					40
R01023 25	23	142.0	141.21	73.8	25
R01023 30					30
R01023 35					35
R01023 40					40
R01025 25	25	154.0	153.21	79.8	25
R01025 30					30
R01025 35					35
R01025 40					40
R01027 25	27	166.8	165.2	85.8	25
R01027 30					30
R01027 35					35
R01027 40					40
R01029 25	29	178.5	177.24	91.8	25
R01029 30					30
R01029 35					35
R01029 40					40



**MACHINED IDLER WHEELS**  
**812/815/881M Series**

Split idler wheels  
 material: polyamide - screws in stainless steel

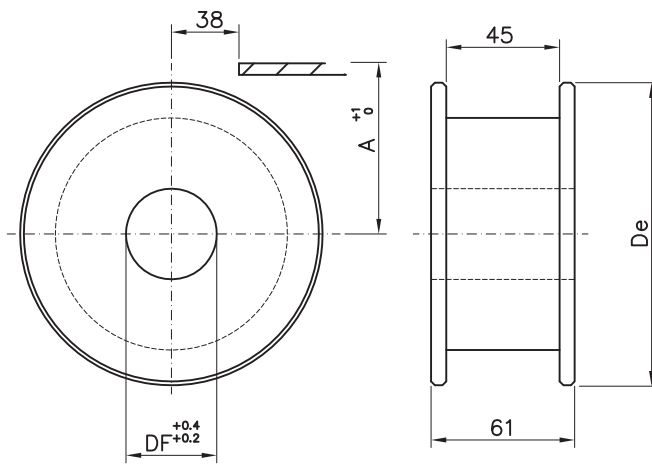
CODE	Z eq.	De	A	Df
P11617 20	17	104.0	56.2	20
P11617 25				25
P11617 30				30
P11617 35				35
P11617 40				40
P11619 20	19	117.0	62.6	20
P11619 25				25
P11619 30				30
P11619 35				35
P11619 40				40
P11621 20	21	129.8	68.6	20
P11621 25				25
P11621 30				30
P11621 35				35
P11621 40				40
P11623 20	23	142.2	74.6	20
P11623 25				25
P11623 30				30
P11623 35				35
P11623 40				40
P11625 20	25	154.7	80.5	20
P11625 25				25
P11625 30				30
P11625 35				35
P11625 40				40
P11627 20	27	167.2	88.5	20
P11627 25				25
P11627 30				30
P11627 35				35
P11627 40				40



P11629 20	29	179.3	92.8	20
P11629 25				25
P11629 30				30
P11629 35				35
P11629 40				40

Standard idler wheels  
 material: polyamide

CODE	Z eq.	De	A	Df
P01617 20	17	104.0	56.2	20
P01617 25				25
P01617 30				30
P01617 35				35
P01617 40				40
P01619 20	19	117.0	62.6	20
P01619 25				25
P01619 30				30
P01619 35				35
P01619 40				40
P01621 20	21	129.8	68.6	20
P01621 25				25
P01621 30				30
P01621 35				35
P01621 40				40
P01623 20	23	142.2	74.6	20
P01623 25				25
P01623 30				30
P01623 35				35
P01623 40				40
P01625 20	25	154.7	80.5	20
P01625 25				25
P01625 30				30
P01625 35				35
P01625 40				40
P01627 20	27	167.2	88.5	20
P01627 25				25
P01627 30				30
P01627 35				35
P01627 40				40



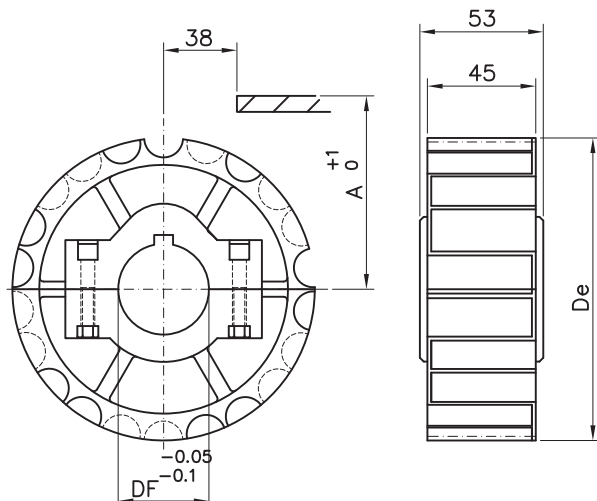
P01629 20	29	179.3	92.8	20
P01629 25				25
P01629 30				30
P01629 35				35
P01629 40				40





**Split sprockets**

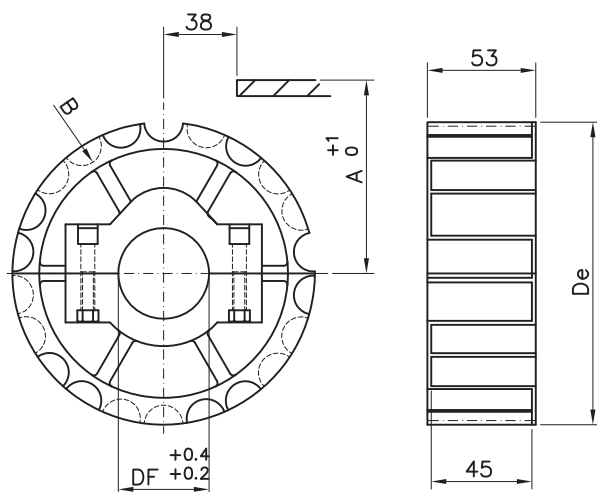
material: reinforced polyamide - screws in stainless steel  
 nuts in nickel plated brass - UNI 6604-69 key seat



CODE	Z	De	A	B	Df
S10021 25	21	129.0	67.8	116.1	25
S10021 30					30
S10021 35					35
S10021 40					40
S10021 45					45
S10023 25	23	142.0	73.8	128.1	25
S10023 30					30
S10023 35					35
S10023 40					40
S10023 45					45
S10025 25	25	154.0	79.8	140.1	25
S10025 30					30
S10025 35					35
S10025 40					40
S10025 45					45

**Split idler wheels**

material: polyamide - screws in stainless steel  
 nuts in nickel plated brass

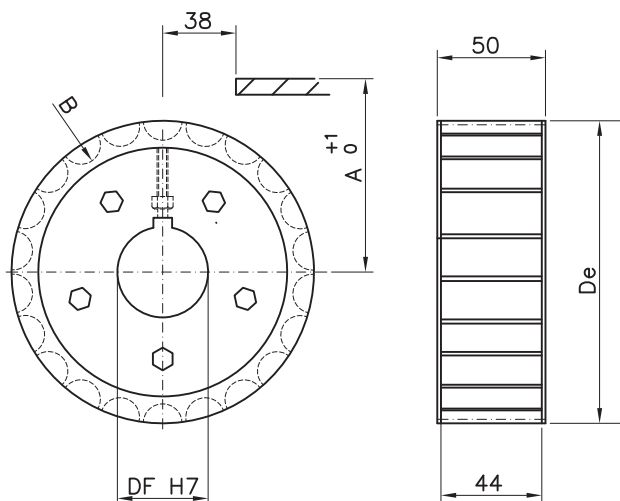


CODE	Z	De	A	B	Df
R10021 25	21	129.0	67.8	116.1	25
R10021 30					30
R10021 35					35
R10021 40					40
R10021 45					45
R10023 25	23	142.0	73.8	128.1	25
R10023 30					30
R10023 35					35
R10023 40					40
R10023 45					45
R10025 25	25	154.0	79.8	140.1	25
R10025 30					30
R10025 35					35
R10025 40					40
R10025 45					45

**INJECTED SPROCKETS**  
**812/815/881M Series**

**Drive sprockets**

material: reinforced polyamide - screws in stainless steel  
 UNI 6604-69 key seat



CODE	Z	De	Dp	A	B	Df
S00015 25	15	92.2	93.67	/	/	25
S00015 30						30
S00017 25	17	104.7	105.48	/	/	25
S00017 30						30
S00019 25	19	117.0	117.34	61.9	104.2	25
S00019 30						30
S00019 35						35
S00019 40						40
S00021 25						21
S00021 30	30					
S00021 35	35					
S00021 40	40					
S00023 25	23	142.0	141.21	73.8	128.1	
S00023 30						30
S00023 35						35
S00023 40						40
S00025 25						25
S00025 30	30					
S00025 35	35					
S00025 40	40					

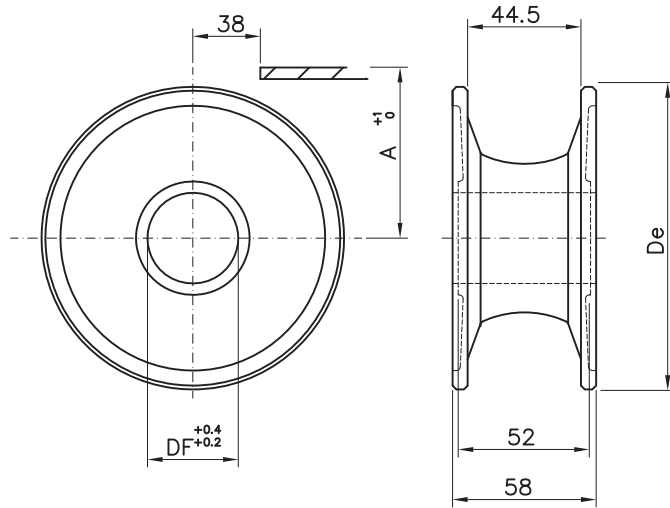


# INJECTED IDLER WHEELS

## 812/815/881M Series

Standard idler wheels reinforced series  
 material: self lubricating polyamide  
 colour: black

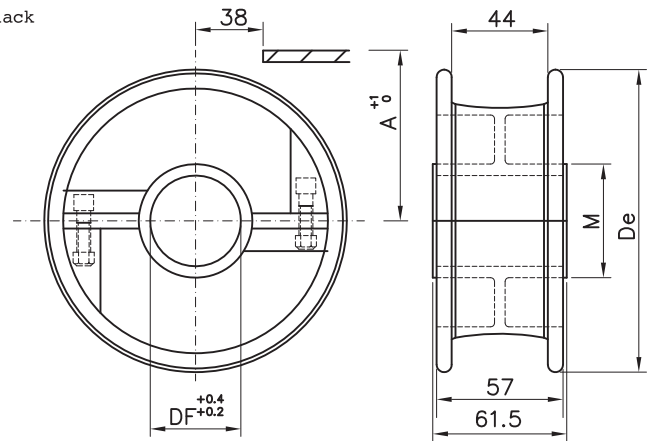
CODE	Z eq.	De	A	Df
P00615 25	15	95.5	92.0	25
P00615 30				30
P00617 25	17	106.5	57.0	25
P00617 30				30
P00618 25	18	113.0	92.0	25
P00618 30				30
P00619 20	19	117.0	62.6	20
P00619 25				25
P00619 30				30
P00619 35				35
P00619 40				40
P00621 20	21	129.8	68.6	20
P00621 25				25
P00621 30				30
P00621 35				35
P00621 40				40
P00623 20	23	142.2	74.6	20
P00623 25				25
P00623 30				30
P00623 35				35
P00623 40				40
P00625 20	25	154.7	80.5	20
P00625 25				25
P00625 30				30
P00625 35				35
P00625 40				40



### Self lubricating split idler wheels

material: self lubricating polyamide - screws in stainless steel / colour: black

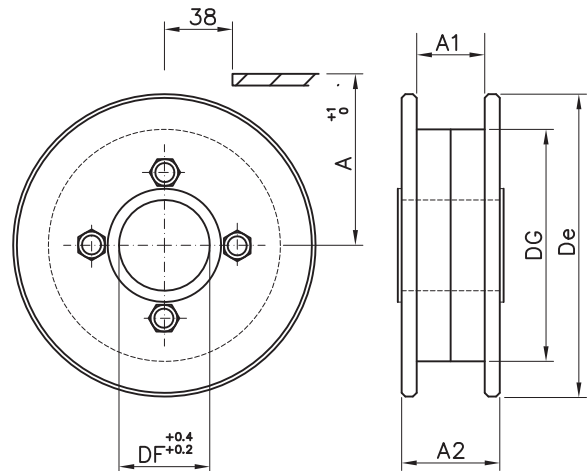
CODE	Z eq.	De	A	M	Df
P10621 25	21	130	48.2	35	25
P10621 30				40	30
P10621 35				45	35
P10621 40				50	40
P10623 25	23	142.5	74.6	40	25
P10623 30				40	30
P10623 35				50	35
P10623 40				50	40
P10625 25	25	154.5	80.5	35	25
P10625 30				40	30
P10625 35				45	35
P10625 40				50	40



### Standard idler wheels reinforced series

material: self lubricating polyamide / colour: black

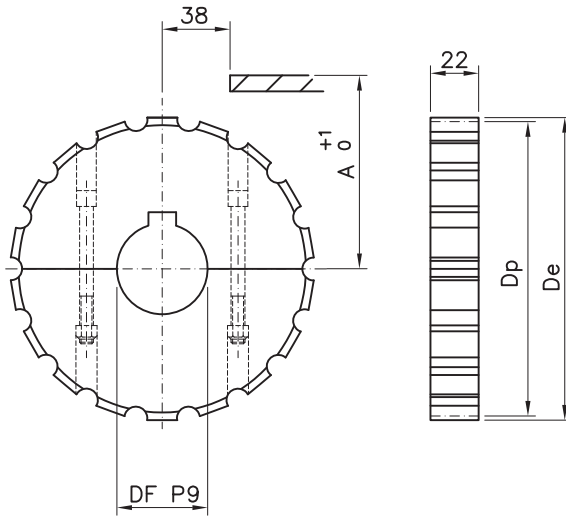
CODE	Z eq.	De	Dg	A	A1	A2	Df
K00615 30	15	90.0	58.0	48.2	48.0	83.0	30
K00615 35							35
K00615 40							40
K00615 45							45
K00617 25	17	106.0	71.0	56.2	44.0	52.0	25
K00617 30							30
K00619 25	19	118.0	80.0	62.6	44.0	60.0	25
K00619 30							30
K00619 35							35
K00619 40							40
K00621 25	21	129.8	80.0	68.6	44.0	60.0	25
K00621 30							30
K00621 35							35
K00621 40							40
K00623 25	23	142.5	108.0	74.6	44.0	60.0	25
K00623 30							30
K00623 35							35
K00623 40							40
K00625 25	25	155.0	108.0	80.5	44.0	60.0	25
K00625 30							30
K00625 35							35
K00625 40							40



**MACHINED SPROCKETS**  
**815 mini Series**



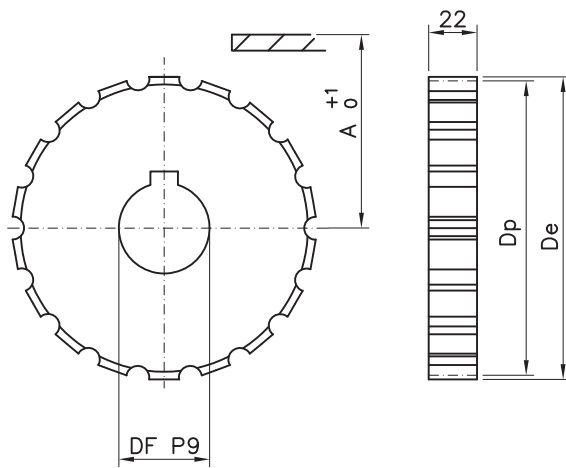
Split sprockets  
 material: polyamide - screws in stainless steel  
 UNI 6604-69 key seat



CODE	Z	De	Dp	A	Df
S11119 18	19	117.0	117.34	61.9	18*
S11119 25					25
S11119 30					30
S11119 35					35
S11119 40					40
S11121 18	21	129.0	129.26	67.8	18*
S11121 25					25
S11121 30					30
S11121 35					35
S11121 40					40
S11123 18	23	142.0	141.21	73.8	18*
S11123 25					25
S11123 30					30
S11123 35					35
S11123 40					40
S11125 18	25	154.0	153.21	79.8	18*
S11125 25					25
S11125 30					30
S11125 35					35
S11125 40					40

\* plain bore

Standard sprockets  
 material: polyamide  
 UNI 6604-69 key seat



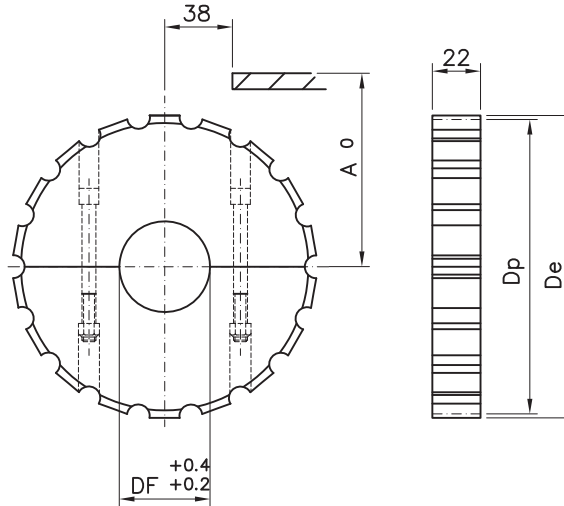
CODE	Z	De	Dp	A	Df
S01119 25	19	117.0	117.34	61.9	25
S01119 30					30
S01119 35					35
S01119 40					40
S01121 25					21
S01121 30	30				
S01121 35	35				
S01121 40	40				
S01123 25	23	142.0	141.21	73.8	
S01123 30					30
S01123 35					35
S01123 40					40
S01125 25					25
S01125 30	30				
S01125 35	35				
S01125 40	40				



**MACHINED IDLER WHEELS**  
**815 mini Series**

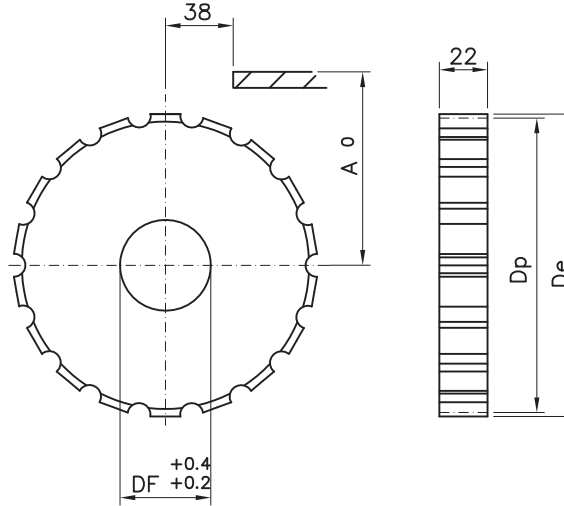
Split idler wheels  
 material: polyamide - screws in stainless steel  
 UNI 6604-69 key seat

CODE	Z eq.	De	Dp	A	Df
R11119 25	19	117.0	117.34	61.9	25
R11119 30					30
R11119 35					35
R11119 40					40
R11121 25	21	129.0	129.26	67.8	25
R11121 30					30
R11121 35					35
R11121 40					40
R11123 25	23	142.0	141.21	73.8	25
R11123 30					30
R11123 35					35
R11123 40					40
R11125 25	25	154.0	153.21	79.8	25
R11125 30					30
R11125 35					35
R11125 40					40



Standard idler wheels  
 material: polyamide  
 UNI 6604-69 key seat

CODE	Z eq.	De	Dp	A	Df
R01119 25	19	117.0	117.34	61.9	25
R01119 30					30
R01119 35					35
R01119 40					40
R01121 25	21	129.0	129.26	67.8	25
R01121 30					30
R01121 35					35
R01121 40					40
R01123 25	23	142.0	141.21	73.8	25
R01123 30					30
R01123 35					35
R01123 40					40
R01125 25	25	154.0	153.21	79.8	25
R01125 30					30
R01125 35					35
R01125 40					40

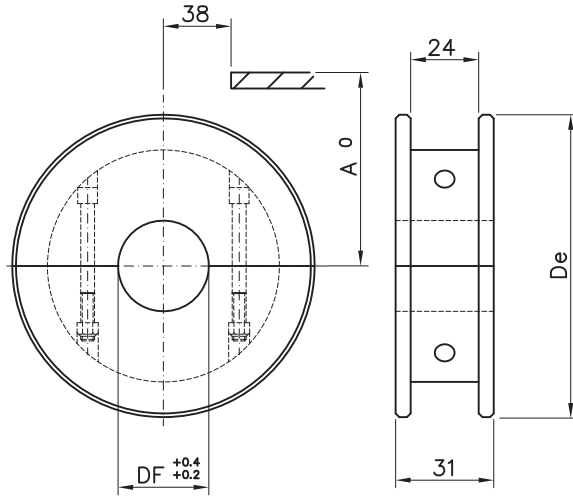


**MACHINED IDLER WHEELS**  
**815 mini Series**



Split idler wheels

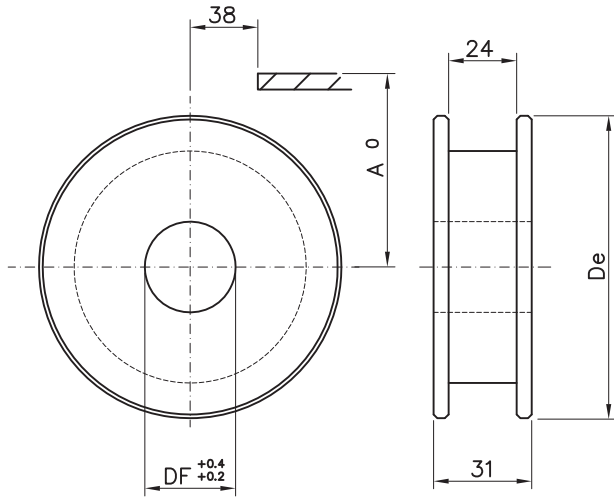
material: polyamide - screws in stainless steel



CODE	Z	De	A	Df
P11119 20	19	117.0	62.6	20
P11119 25				25
P11119 30				30
P11119 35				35
P11119 40				40
P11121 20	21	129.8	68.6	20
P11121 25				25
P11121 30				30
P11121 35				35
P11121 40				40
P11123 20	23	142.2	74.6	20
P11123 25				25
P11123 30				30
P11123 35				35
P11123 40				40
P11125 20	25	154.7	80.5	20
P11125 25				25
P11125 30				30
P11125 35				35
P11125 40				40

Standard idler wheels

material: polyamide



CODE	Z	De	A	Df
P01119 20	19	117.0	62.6	20
P01119 25				25
P01119 30				30
P01119 35				35
P01119 40				40
P01121 20	21	129.8	68.6	20
P01121 25				25
P01121 30				30
P01121 35				35
P01121 40				40
P01123 20	23	142.2	74.6	20
P01123 25				25
P01123 30				30
P01123 35				35
P01123 40				40
P01125 20	25	154.7	80.5	20
P01125 25				25
P01125 30				30
P01125 35				35
P01125 40				40



**MACHINED SPROCKETS**  
**802/804/805 Series**

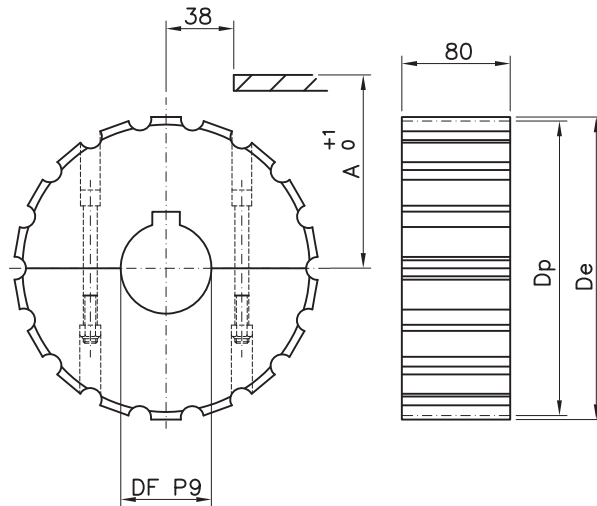
Split sprockets

material: polyamide - screws in stainless steel

UNI 6604-69 key seat

CODE	Z	De	Dp	A	Df
S11719 18	19	117.0	117.34	61.9	18*
S11719 25					25
S11719 30					30
S11719 35					35
S11719 40					40
S11721 18	21	129.0	129.26	67.8	18*
S11721 25					25
S11721 30					30
S11721 35					35
S11721 40					40
S11723 18	23	142.0	141.21	73.8	18*
S11723 25					25
S11723 30					30
S11723 35					35
S11723 40					40
S11725 18	25	154.0	153.21	79.8	18*
S11725 25					25
S11725 30					30
S11725 35					35
S11725 40					40
S11727 18	27	166.8	165.2	85.8	18*
S11727 25					25
S11727 30					30
S11727 35					35
S11727 40					40
S11729 18	29	178.5	177.24	91.8	18*
S11729 25					25
S11729 30					30
S11729 35					35
S11729 40					40

\* plain bore

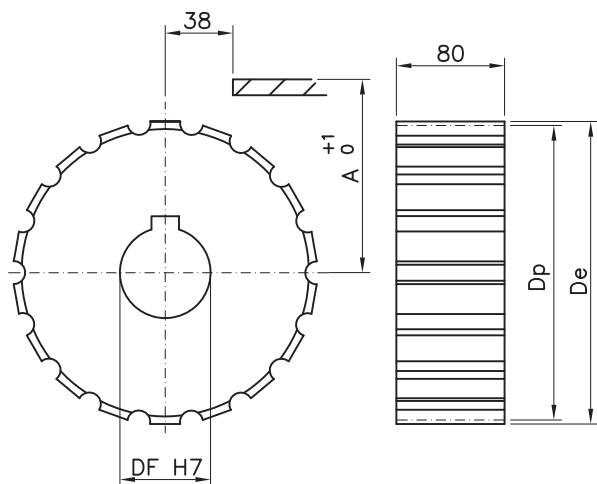


Standard sprockets

material: polyamide

UNI 6604-69 key seat

CODE	Z	De	Dp	A	Df
S01719 25	19	117.0	117.34	61.9	25
S01719 30					30
S01719 35					35
S01719 40					40
S01721 25					21
S01721 30	30				
S01721 35	35				
S01721 40	40				
S01723 25	23	142.0	141.21	73.8	
S01723 30					30
S01723 35					35
S01723 40					40
S01725 25					25
S01725 30	30				
S01725 35	35				
S01725 40	40				
S01727 25	27	166.8	165.2	85.8	
S01727 30					30
S01727 35					35
S01727 40					40
S01729 25					29
S01729 30	30				
S01729 35	35				
S01729 40	40				

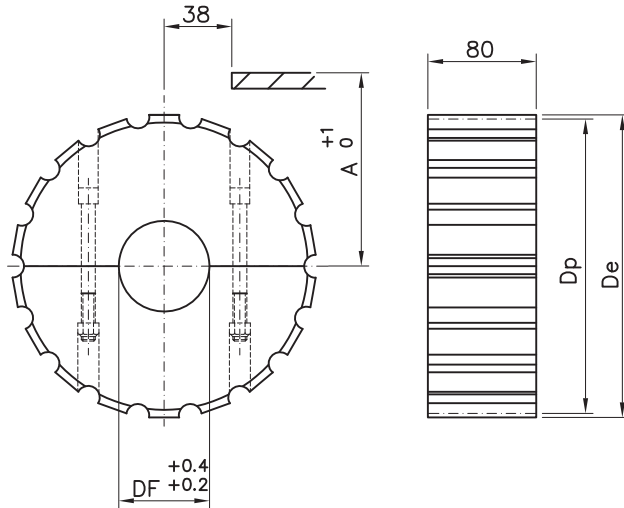


**MACHINED IDLER WHEELS**  
**802/804/805 Series**



Split idler wheels

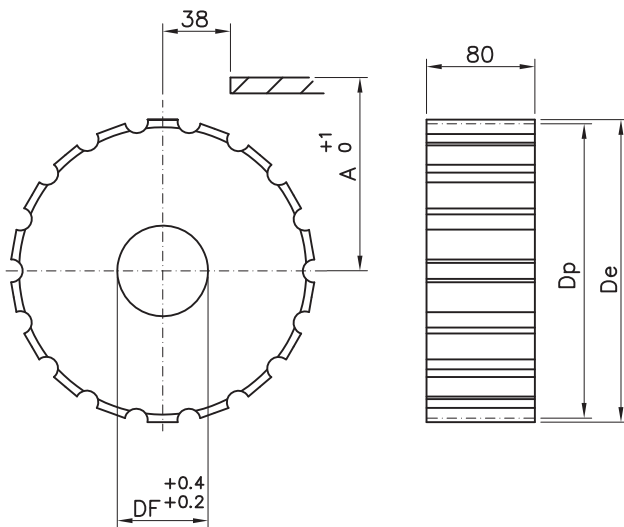
material: polyamide - screws in stainless steel



CODE	Z eq.	De	Dp	A	Df
R11719 25	19	117.0	117.34	61.9	25
R11719 30					30
R11719 35					35
R11719 40					40
R11721 25	21	129.0	129.26	67.8	25
R11721 30					30
R11721 35					35
R11721 40					40
R11723 25	23	142.0	141.21	73.8	25
R11723 30					30
R11723 35					35
R11723 40					40
R11725 25	25	154.0	153.21	79.8	25
R11725 30					30
R11725 35					35
R11725 40					40
R11727 25	27	166.8	165.2	85.8	25
R11727 30					30
R11727 35					35
R11727 40					40
R11729 25	29	178.5	177.24	91.8	25
R11729 30					30
R11729 35					35
R11729 40					40

Standard idler wheels

material: polyamide



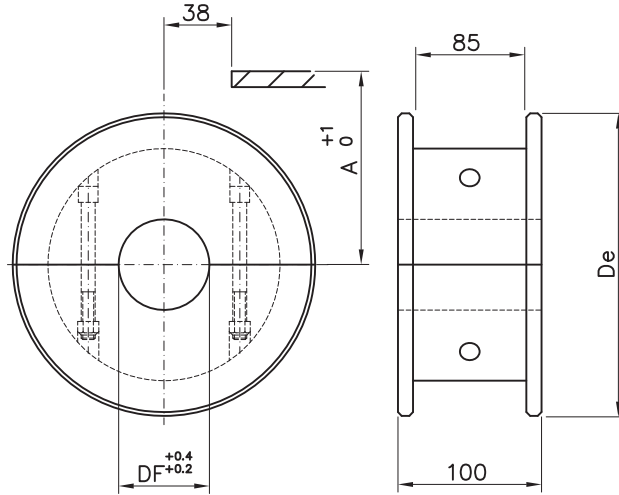
CODE	Z	De	Dp	A	Df
R01719 25	19	117.0	117.34	61.9	25
R01719 30					30
R01719 35					35
R01719 40					40
R01721 25	21	129.0	129.26	67.8	25
R01721 30					30
R01721 35					35
R01721 40					40
R01723 25	23	142.0	141.21	73.8	25
R01723 30					30
R01723 35					35
R01723 40					40
R01725 25	25	154.0	153.21	79.8	25
R01725 30					30
R01725 35					35
R01725 40					40
R01727 25	27	166.8	165.2	85.8	25
R01727 30					30
R01727 35					35
R01727 40					40
R01729 25	29	178.5	177.24	91.8	25
R01729 30					30
R01729 35					35
R01729 40					40



**MACHINED IDLER WHEELS**  
**802/805 Series**

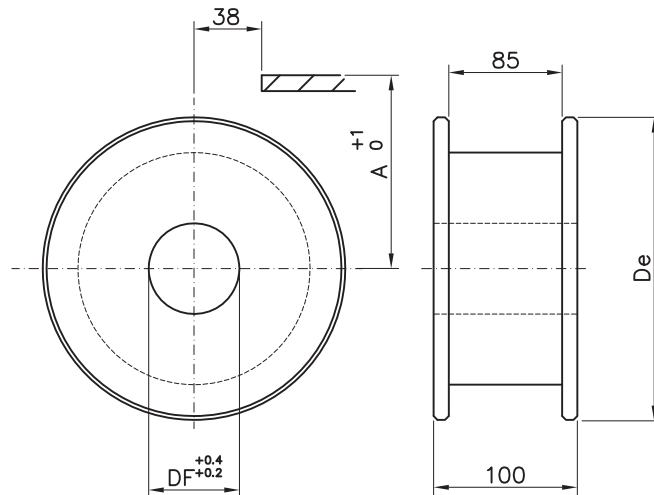
Split idler wheels  
material: polyamide - screws in stainless steel

CODE	Z eq.	De	A	Df
P11219 20	19	117.0	62.6	20
P11219 25				25
P11219 30				30
P11219 35				35
P11219 40				40
P11221 20	21	129.8	68.6	20
P11221 25				25
P11221 30				30
P11221 35				35
P11221 40				40
P11223 20	23	142.2	74.6	20
P11223 25				25
P11223 30				30
P11223 35				35
P11223 40				40
P11225 20	25	154.7	80.5	20
P11225 25				25
P11225 30				30
P11225 35				35
P11225 40				40
P11227 20	27	167.2	88.5	20
P11227 25				25
P11227 30				30
P11227 35				35
P11227 40				40
P11229 20	29	179.3	92.8	20
P11229 25				25
P11229 30				30
P11229 35				35
P11229 40				40



Standard idler wheels  
material: polyamide

CODE	Z eq.	De	A	Df
P01219 20	19	117.0	62.6	20
P01219 25				25
P01219 30				30
P01219 35				35
P01219 40				40
P01221 20	21	129.8	68.6	20
P01221 25				25
P01221 30				30
P01221 35				35
P01221 40				40
P01223 20	23	142.2	74.6	20
P01223 25				25
P01223 30				30
P01223 35				35
P01223 40				40
P01225 20	25	154.7	80.5	20
P01225 25				25
P01225 30				30
P01225 35				35
P01225 40				40
P01227 20	27	167.2	88.5	20
P01227 25				25
P01227 30				30
P01227 35				35
P01227 40				40
P01229 20	29	179.3	92.8	20
P01229 25				25
P01229 30				30
P01229 35				35
P01229 40				40



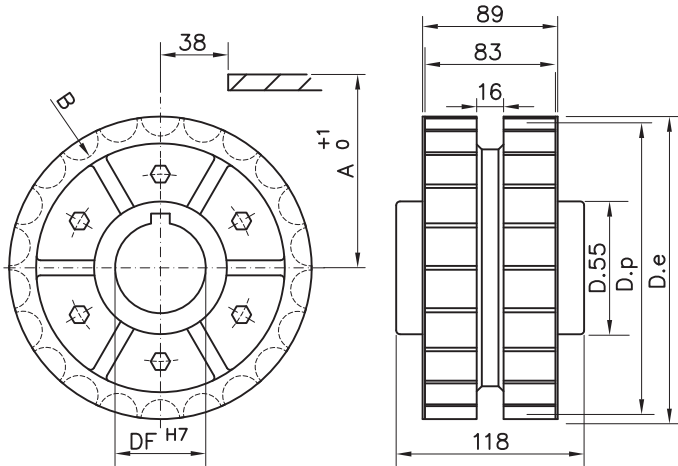


**INJECTED SPROCKETS AND IDLER WHEELS**  
**802/805 Series**



Drive sprockets

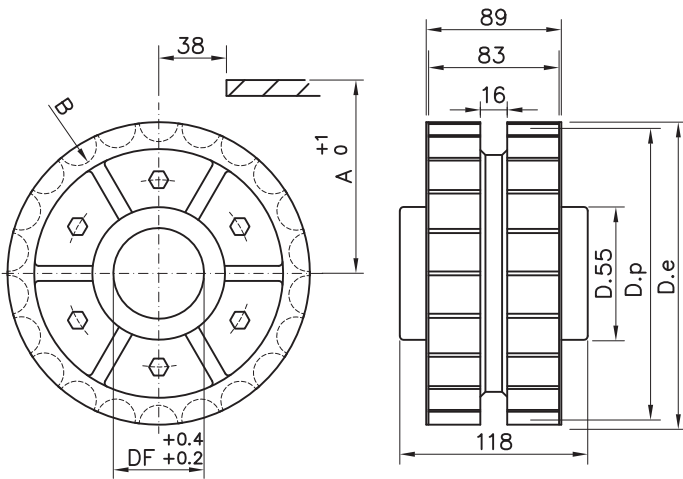
material: reinforced polyamide - screws in stainless steel  
 UNI 6604-69 key seat



CODE	Z	De	Dp	A	B	Df
S00225 25	25	154.0	153.2	79.8	140.1	25
S00225 30						30
S00225 35						35
S00225 40						40

Standard idler wheels

material: polyamide - screws in stainless steel

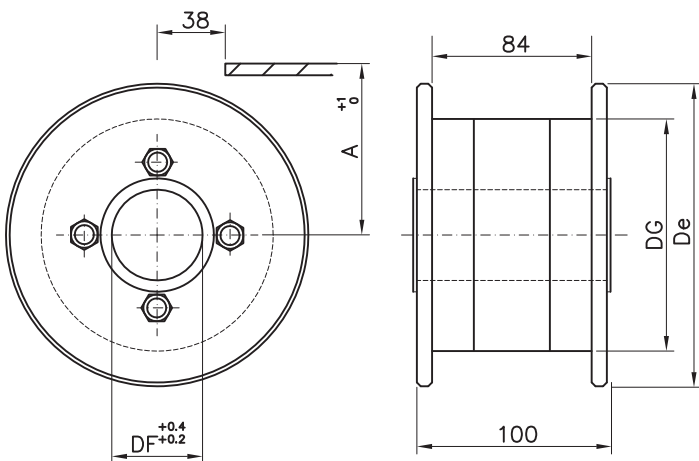


CODE	Z	De	Dp	A	B	Df
R00225 25	25	154.0	153.2	79.8	140.1	25
R00225 30						30
R00225 35						35
R00225 40						40

**INJECTED IDLER WHEELS**  
**802/805 Series**

Self-lubricating standard idler wheels

material: self-lubricating polyamide  
 screws in zinc plated steel / colour: black



CODE	Z eq.	De	Dg	A	Df
K00219 25	19	118.0	80.0	62.6	25
K00219 30					30
K00219 35					35
K00219 40					40
K00221 25	21	129.8	80.0	68.6	25
K00221 30					30
K00221 35					35
K00221 40					40
K00223 25	23	142.5	108.0	74.6	25
K00223 30					30
K00223 35					35
K00223 40					40
K00225 25	25	155.0	108.0	80.5	25
K00225 30					30
K00225 35					35
K00225 40					40



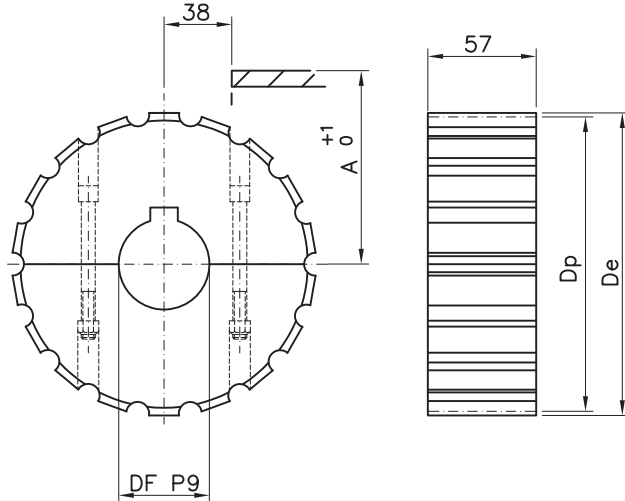
**MACHINED SPROCKETS**  
**8127/8817M Series**

Split sprockets

material: polyamide - screws in stainless steel

UNI 6604-69 key seat

CODE	Z	De	Dp	A	Df
S11317 18	17	103.9	105.47	55.9	18*
S11317 25					25
S11317 30					30
S11317 35					35
S11317 40					40
S11319 18	19	117.0	117.34	61.9	18*
S11319 25					25
S11319 30					30
S11319 35					35
S11319 40					40
S11321 18	21	129.0	129.26	67.8	18*
S11321 25					25
S11321 30					30
S11321 35					35
S11321 40					40
S11323 18	23	142.0	141.21	73.8	18*
S11323 25					25
S11323 30					30
S11323 35					35
S11323 40					40
S11325 18	25	154.0	153.21	79.8	18*
S11325 25					25
S11325 30					30
S11325 35					35
S11325 40					40
S11327 18	27	166.8	165.2	85.8	18*
S11327 25					25
S11327 30					30
S11327 35					35
S11327 40					40
S11329 18	29	178.5	177.24	91.8	18*
S11329 25					25
S11329 30					30
S11329 35					35
S11329 40					40



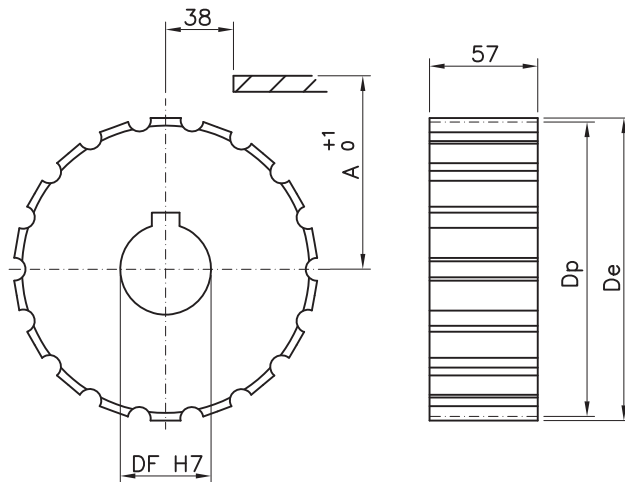
Standard sprockets

material: polyamide

UNI 6604-69 key seat

\* plain bore

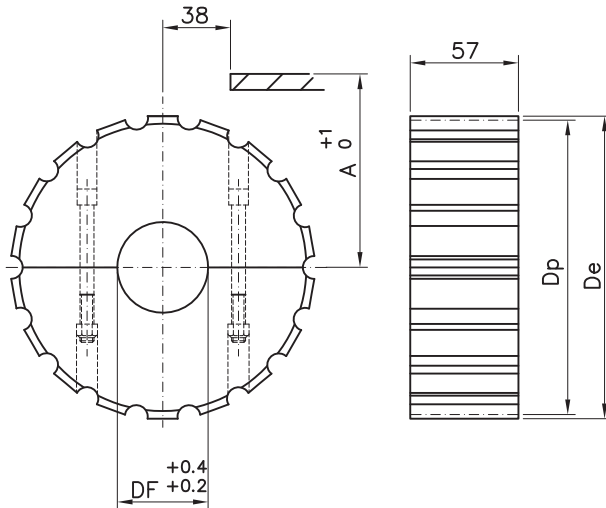
CODE	Z	De	Dp	A	Df
S01317 25	17	103.9	105.47	55.9	25
S01317 30					30
S01317 35					35
S01317 40					40
S01319 25					19
S01319 30	30				
S01319 35	35				
S01319 40	40				
S01321 25	21	129.0	129.26	67.8	
S01321 30					30
S01321 35					35
S01321 40					40
S01323 25					23
S01323 30	30				
S01323 35	35				
S01323 40	40				
S01325 25	25	154.0	153.21	79.8	
S01325 30					30
S01325 35					35
S01325 40					40
S01327 25					27
S01327 30	30				
S01327 35	35				
S01327 40	40				
S01329 25	29	178.5	177.24	91.8	
S01329 30					30
S01329 35					35
S01329 40					40



**MACHINED IDLER WHEELS**  
**8127/8817M Series**

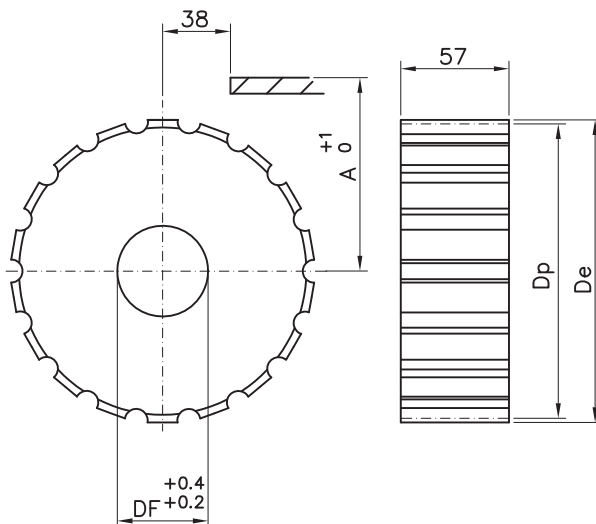


Split idler wheels  
 material: polyamide - screws in stainless steel



CODE	Z	De	Dp	A	Df
R11317 25	17	103.9	105.47	55.9	25
R11317 30					30
R11317 35					35
R11317 40					40
R11319 25	19	117.0	117.34	61.9	25
R11319 30					30
R11319 35					35
R11319 40					40
R11321 25	21	129.0	129.26	67.8	25
R11321 30					30
R11321 35					35
R11321 40					40
R11323 25	23	142.0	141.21	73.8	25
R11323 30					30
R11323 35					35
R11323 40					40
R11325 25	25	154.0	153.21	79.8	25
R11325 30					30
R11325 35					35
R11325 40					40
R11327 25	27	166.8	165.2	85.8	25
R11327 30					30
R11327 35					35
R11327 40					40
R11329 25	29	178.5	177.24	91.8	25
R11329 30					30
R11329 35					35
R11329 40					40

Standard idler wheels  
 material: polyamide



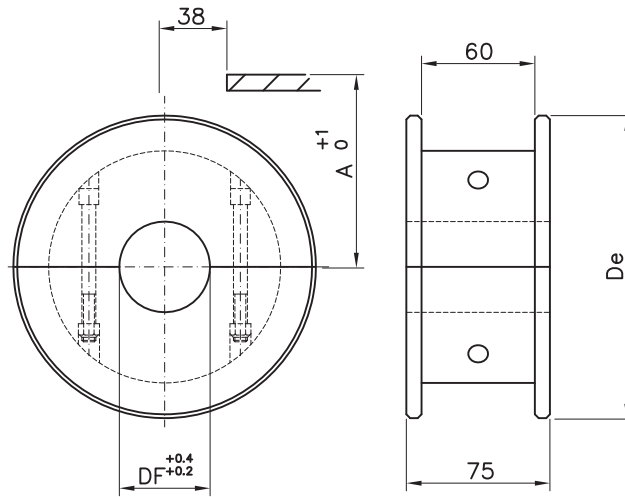
CODE	Z	De	Dp	A	Df
R01317 25	17	103.9	105.47	55.9	25
R01317 30					30
R01317 35					35
R01317 40					40
R01319 25	19	117.0	117.34	61.9	25
R01319 30					30
R01319 35					35
R01319 40					40
R01321 25	21	129.0	129.26	67.8	25
R01321 30					30
R01321 35					35
R01321 40					40
R01323 25	23	142.0	141.21	73.8	25
R01323 30					30
R01323 35					35
R01323 40					40
R01325 25	25	154.0	153.21	79.8	25
R01325 30					30
R01325 35					35
R01325 40					40
R01327 25	27	166.8	165.2	85.8	25
R01327 30					30
R01327 35					35
R01327 40					40
R01329 25	29	178.5	177.24	91.8	25
R01329 30					30
R01329 35					35
R01329 40					40



**MACHINED IDLER WHEELS**  
**8127/8817M Series**

Split idler wheels  
material: polyamide - screws in stainless steel

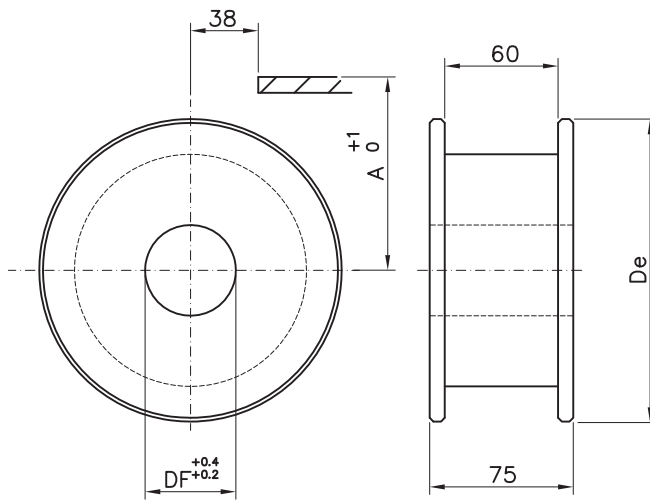
CODE	Z eq.	De	A	Df
P11417 20	17	104.0	56.2	20
P11417 25				25
P11417 30				30
P11417 35				35
P11417 40				40
P11419 20	19	117.0	62.6	20
P11419 25				25
P11419 30				30
P11419 35				35
P11419 40				40
P11421 20	21	129.8	68.6	20
P11421 25				25
P11421 30				30
P11421 35				35
P11421 40				40
P11423 20	23	142.2	74.6	20
P11423 25				25
P11423 30				30
P11423 35				35
P11423 40				40
P11425 20	25	154.7	80.5	20
P11425 25				25
P11425 30				30
P11425 35				35
P11425 40				40
P11427 20	27	167.2	88.5	20
P11427 25				25
P11427 30				30
P11427 35				35
P11427 40				40



P11429 20	29	179.3	92.8	20
P11429 25				25
P11429 30				30
P11429 35				35
P11429 40				40

Standard idler wheels  
material: polyamide

CODE	Z eq.	De	A	Df
P01417 20	17	104.0	56.2	20
P01417 25				25
P01417 30				30
P01417 35				35
P01417 40				40
P01419 20	19	117.0	62.6	20
P01419 25				25
P01419 30				30
P01419 35				35
P01419 40				40
P01421 20	21	129.8	68.6	20
P01421 25				25
P01421 30				30
P01421 35				35
P01421 40				40
P01423 20	23	142.2	74.6	20
P01423 25				25
P01423 30				30
P01423 35				35
P01423 40				40
P01425 20	25	154.7	80.5	20
P01425 25				25
P01425 30				30
P01425 35				35
P01425 40				40
P01427 20	27	167.2	88.5	20
P01427 25				25
P01427 30				30
P01427 35				35
P01427 40				40



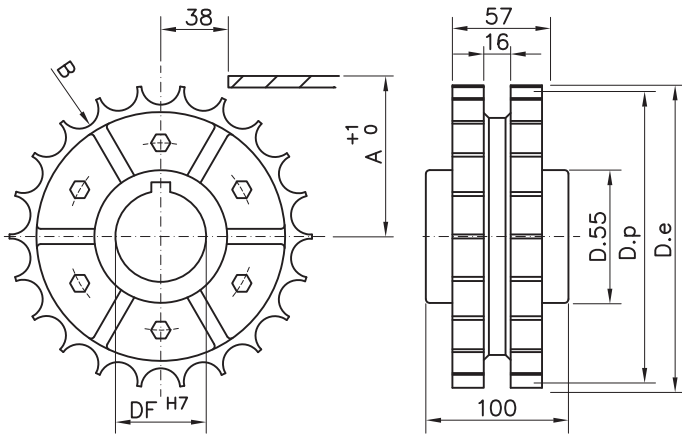
P01429 20	29	179.3	92.8	20
P01429 25				25
P01429 30				30
P01429 35				35
P01429 40				40

## INJECTED SPROCKETS AND IDLER WHEELS 8127/8817M Series



Drive sprockets

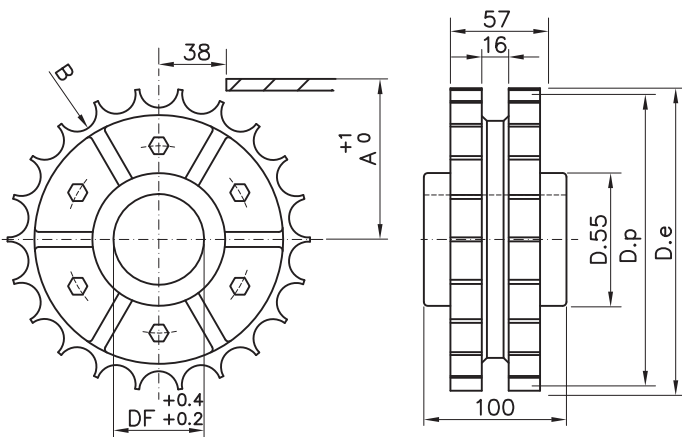
material: reinforced polyamide - screws in stainless steel



CODE	Z	De	Dp	A	B	Df
S00325 25	25	154.0	153.2	79.8	140.1	25
S00325 30						30
S00325 35						35
S00325 40						40

Standard idler wheels

material: polyamide - screws in stainless steel



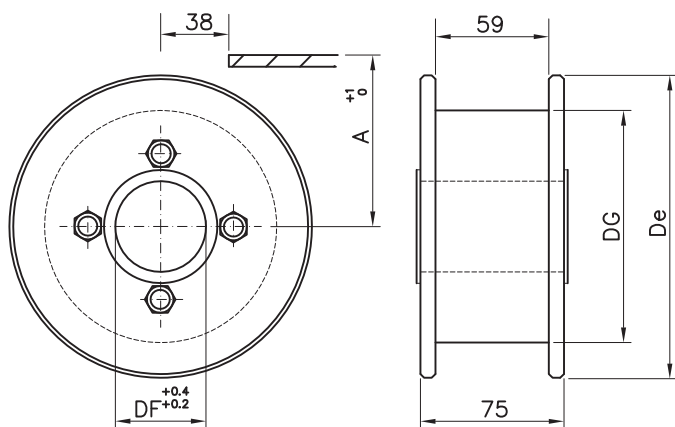
CODE	Z	De	Dp	A	B	Df
R00325 25	25	154.0	153.2	79.8	140.1	25
R00325 30						30
R00325 35						35
R00325 40						40

## INJECTED IDLER WHEELS 8127/8817M Series

Self-lubricating idler wheels

material: self-lubricating polyamide

screws in zinc plated steel / colour: black



CODE	Z eq.	De	Dg	A	Df
K00419 25	19	118.0	80.0	62.6	25
K00419 30					30
K00419 35					35
K00419 40					40
K00421 25	21	129.8	80.0	68.6	25
K00421 30					30
K00421 35					35
K00421 40					40
K00423 25	23	142.5	108.0	74.6	25
K00423 30					30
K00423 35					35
K00423 40					40
K00425 25	25	155.0	108.0	80.5	25
K00425 30					30
K00425 35					35
K00425 40					40



**MACHINED SPROCKETS**

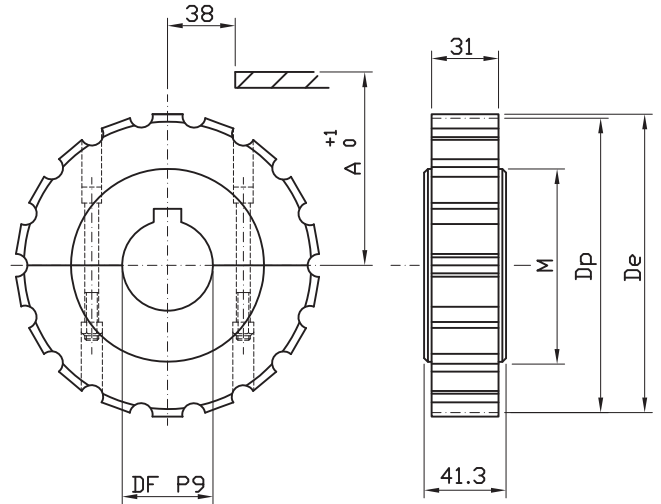
**881/8811/881TAB/8811TAB/8811R-TAB/815TAB Series**

Self-lubricating idler wheels

material: polyamide - screws in stainless steel

UNI 6604-69 key seat

CODE	Z	De	Dp	A	M	Df
S11417 18	17	103.9	105.47	55.9	60	18*
S11417 25						25
S11417 30						30
S11417 35						35
S11417 40						40
S11419 18	19	117.0	117.34	61.9	70	18*
S11419 25						25
S11419 30						30
S11419 35						35
S11419 40						40
S11421 18	21	129.0	129.26	67.8	75	18*
S11421 25						25
S11421 30						30
S11421 35						35
S11421 40						40
S11423 18	23	142.0	141.21	73.8	80	18*
S11423 25						25
S11423 30						30
S11423 35						35
S11423 40						40
S11425 18	25	154.0	153.21	79.8	90	18*
S11425 25						25
S11425 30						30
S11425 35						35
S11425 40						40
S11427 18	27	166.8	165.2	85.8	100	18*
S11427 25						25
S11427 30						30
S11427 35						35
S11427 40						40
S11429 18	29	178.5	177.24	91.8	110	18*
S11429 25						25
S11429 30						30
S11429 35						35
S11429 40						40



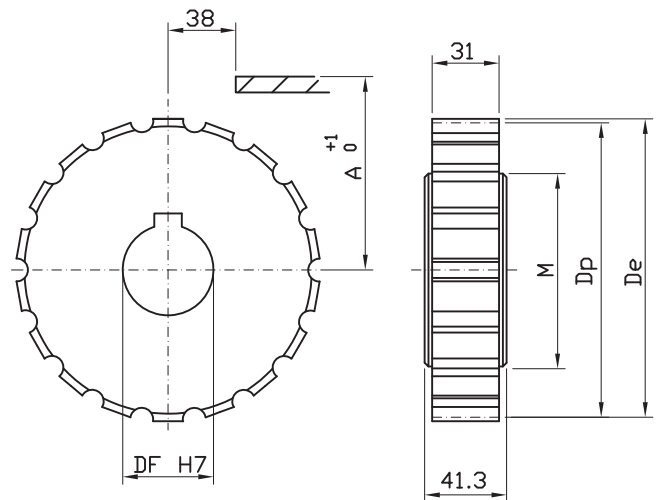
Standard sprockets

material: polyamide - screws in stainless steel

UNI 6604-69 key seat

\* plain bore

CODE	Z	De	Dp	A	M	Df
S01417 25	17	103.9	105.47	55.9	60	25
S01417 30						30
S01417 35						35
S01417 40						40
S01419 25						19
S01419 30	30					
S01419 35	35					
S01419 40	40					
S01421 25	21	129.0	129.26	67.8	75	
S01421 30						30
S01421 35						35
S01421 40						40
S01423 25						23
S01423 30	30					
S01423 35	35					
S01423 40	40					
S01425 25	25	154.0	153.21	79.8	90	
S01425 30						30
S01425 35						35
S01425 40						40
S01427 25						27
S01427 30	30					
S01427 35	35					
S01427 40	40					
S01429 25	29	178.5	177.24	91.8	110	
S01429 30						30
S01429 35						35
S01429 40						40



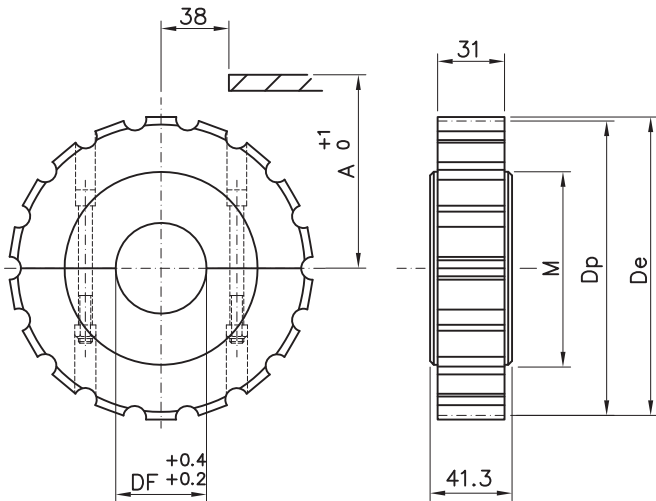
# MACHINED IDLER WHEELS

881/8811/881TAB/8811TAB/8811R-TAB/815TAB Series



Split idler wheels

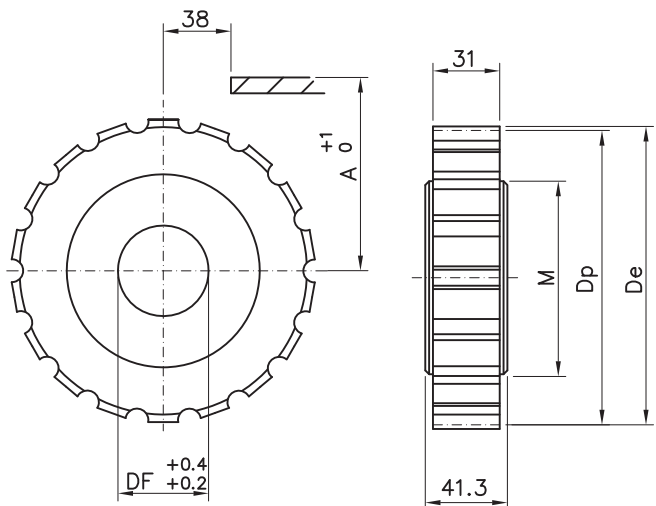
material: polyamide - screws in stainless steel



CODE	Z	De	Dp	A	M	Df
R11417 25	17	103.9	105.47	55.9	60.0	25
R11417 30						30
R11417 35						35
R11417 40						40
R11419 25	19	117.0	117.34	61.9	70.0	25
R11419 30						30
R11419 35						35
R11419 40						40
R11421 25	21	129.0	129.26	67.8	75.0	25
R11421 30						30
R11421 35						35
R11421 40						40
R11423 25	23	142.0	141.21	73.8	80.0	25
R11423 30						30
R11423 35						35
R11423 40						40
R11425 25	25	154.0	153.21	79.8	90.0	25
R11425 30						30
R11425 35						35
R11425 40						40
R11427 25	27	166.8	165.2	85.8	100.0	25
R11427 30						30
R11427 35						35
R11427 40						40
R11429 25	29	178.5	177.24	91.8	110.0	25
R11429 30						30
R11429 35						35
R11429 40						40

Standard idler wheels

material: polyamide



CODE	Z	De	Dp	A	M	Df
R01417 25	17	104.7	105.48	55.9	60.0	25
R01417 30						30
R01417 35						35
R01417 40						40
R01419 25	19	117.0	117.34	61.9	70.0	25
R01419 30						30
R01419 35						35
R01419 40						40
R01421 25	21	129.0	129.26	67.8	75.0	25
R01421 30						30
R01421 35						35
R01421 40						40
R01423 25	23	142.0	141.21	73.8	80.0	25
R01423 30						30
R01423 35						35
R01423 40						40
R01425 25	25	154.0	153.21	79.8	90.0	25
R01425 30						30
R01425 35						35
R01425 40						40
R01427 25	27	166.8	165.2	85.8	100.0	25
R01427 30						30
R01427 35						35
R01427 40						40
R01429 25	29	178.5	177.24	91.8	110.0	25
R01429 30						30
R01429 35						35
R01429 40						40



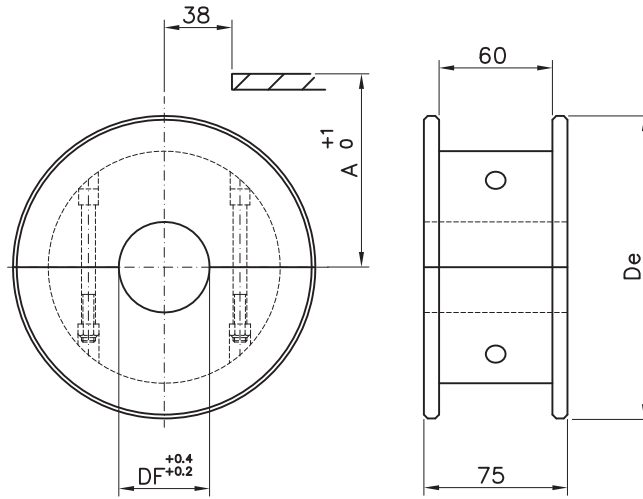
**MACHINED IDLER WHEELS**

**881TAB/8811TAB/8811R-TAB/815TAB Series**

Split idler wheels

material: polyamide - screws in stainless steel

CODE	Z	De	A	Df
P11417 20	17	104.0	56.2	20
P11417 25				25
P11417 30				30
P11417 35				35
P11417 40				40
P11419 20	19	117.0	62.6	20
P11419 25				25
P11419 30				30
P11419 35				35
P11419 40				40
P11421 20	21	129.8	68.6	20
P11421 25				25
P11421 30				30
P11421 35				35
P11421 40				40
P11423 20	23	142.2	74.6	20
P11423 25				25
P11423 30				30
P11423 35				35
P11423 40				40
P11425 20	25	154.7	80.5	20
P11425 25				25
P11425 30				30
P11425 35				35
P11425 40				40
P11427 20	27	167.2	88.5	20
P11427 25				25
P11427 30				30
P11427 35				35
P11427 40				40

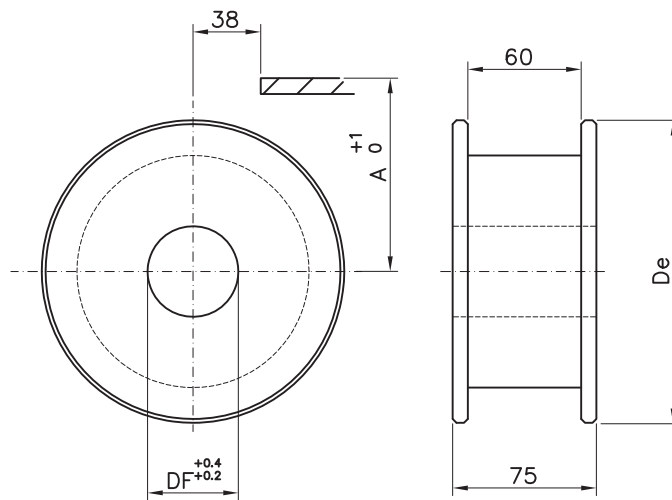


P11429 20	29	179.3	92.8	20
P11429 25				25
P11429 30				30
P11429 35				35
P11429 40				40

Standard idler wheels

material: polyamide

CODE	Z	De	A	Df
P01417 20	17	104.0	56.2	20
P01417 25				25
P01417 30				30
P01417 35				35
P01417 40				40
P01419 20	19	117.0	62.6	20
P01419 25				25
P01419 30				30
P01419 35				35
P01419 40				40
P01421 20	21	129.8	68.6	20
P01421 25				25
P01421 30				30
P01421 35				35
P01421 40				40
P01423 20	23	142.2	74.6	20
P01423 25				25
P01423 30				30
P01423 35				35
P01423 40				40
P01425 20	25	154.7	80.5	20
P01425 25				25
P01425 30				30
P01425 35				35
P01425 40				40
P01427 20	27	167.2	88.5	20
P01427 25				25
P01427 30				30
P01427 35				35
P01427 40				40



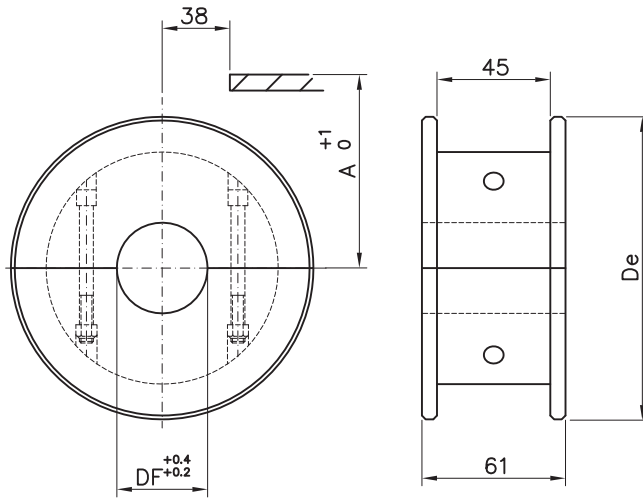
P01429 20	29	179.3	92.8	20
P01429 25				25
P01429 30				30
P01429 35				35
P01429 40				40



**MACHINED IDLER WHEELS**  
**881/8811 Series**



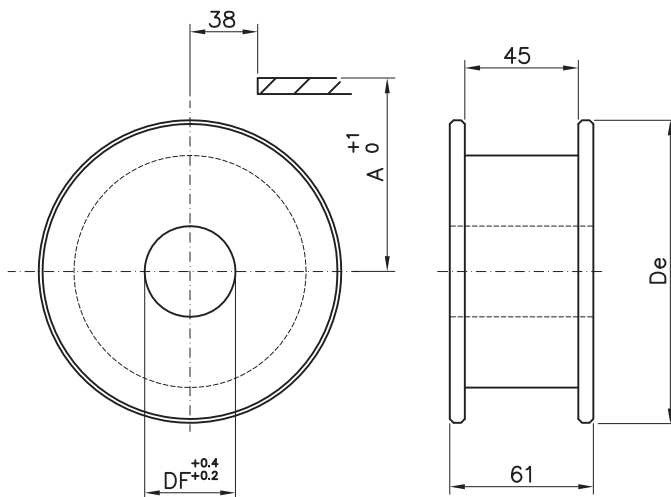
Split idler wheels  
 material: polyamide - screws in stainless steel



P11629 20	29	179.3	92.8	20
P11629 25				25
P11629 30				30
P11629 35				35
P11629 40				40

CODE	Z	De	A	Df
P11617 20	17	104.0	56.2	20
P11617 25				25
P11617 30				30
P11617 35				35
P11617 40				40
P11619 20	19	117.0	62.6	20
P11619 25				25
P11619 30				30
P11619 35				35
P11619 40				40
P11621 20	21	129.8	68.6	20
P11621 25				25
P11621 30				30
P11621 35				35
P11621 40				40
P11623 20	23	142.2	74.6	20
P11623 25				25
P11623 30				30
P11623 35				35
P11623 40				40
P11625 20	25	154.7	80.5	20
P11625 25				25
P11625 30				30
P11625 35				35
P11625 40				40
P11627 20	27	167.2	88.5	20
P11627 25				25
P11627 30				30
P11627 35				35
P11627 40				40

Standard idler wheels  
 material: polyamide



P01629 20	29	179.3	92.8	20
P01629 25				25
P01629 30				30
P01629 35				35
P01629 40				40

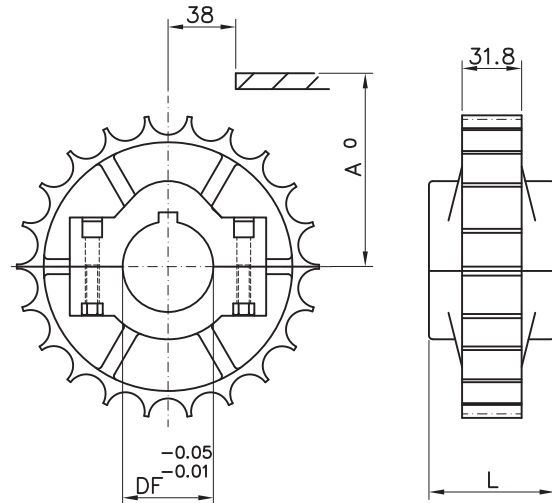
CODE	Z	De	A	Df
P01617 20	17	104.0	56.2	20
P01617 25				25
P01617 30				30
P01617 35				35
P01617 40				40
P01619 20	19	117.0	62.6	20
P01619 25				25
P01619 30				30
P01619 35				35
P01619 40				40
P01621 20	21	129.8	68.6	20
P01621 25				25
P01621 30				30
P01621 35				35
P01621 40				40
P01623 20	23	142.2	74.6	20
P01623 25				25
P01623 30				30
P01623 35				35
P01623 40				40
P01625 20	25	154.7	80.5	20
P01625 25				25
P01625 30				30
P01625 35				35
P01625 40				40
P01627 20	27	167.2	88.5	20
P01627 25				25
P01627 30				30
P01627 35				35
P01627 40				40



**INJECTED SPROCKETS**  
**881/8811/881TAB/8811TAB Series**

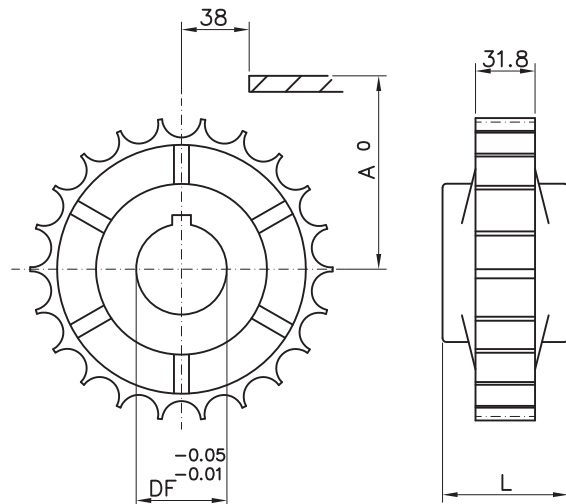
Split sprockets  
 material: reinforced polyamide - screws in stainless steel,  
 nuts in nickel plated brass / UNI 6604-69 key seat

CODE	Z	De	A	B	L	Df
S10421 25	21	129.0	67.8	116.1	51.0	25
S10421 30						30
S10421 35						35
S10421 40						40
S10421 45						45
S10423 25	23	142.0	73.8	128.1	51.0	25
S10423 30						30
S10423 35						35
S10423 40						40
S10423 45						45
S10425 25	25	154.0	79.8	140.1	58.5	25
S10425 30						30
S10425 35						35
S10425 40						40
S10425 45						45



Standard sprockets  
 material: polyamide  
 UNI 6604-69 key seat

CODE	Z	De	Dp	A	L	Df
S00421 25	21	129.0	129.26	67.8	51.0	25
S00421 30						30
S00421 35						35
S00421 40						40
S00425 25	25	154.0	153.2	79.8	58.5	25
S00425 30						30
S00425 35						35
S00425 40						40



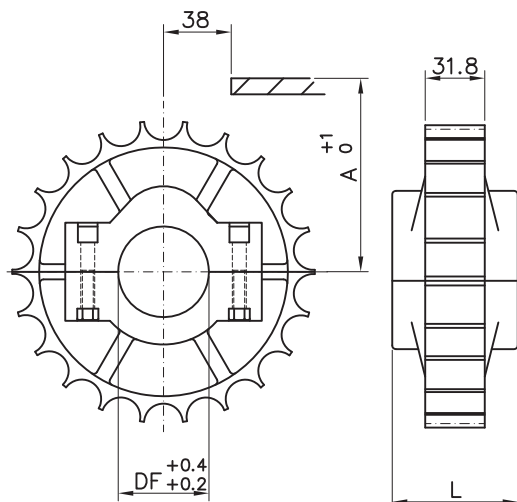
## INJECTED IDLER WHEELS

881/8811/881TAB/8811TAB/8811R-TAB/815TAB Series



### Split idler wheels

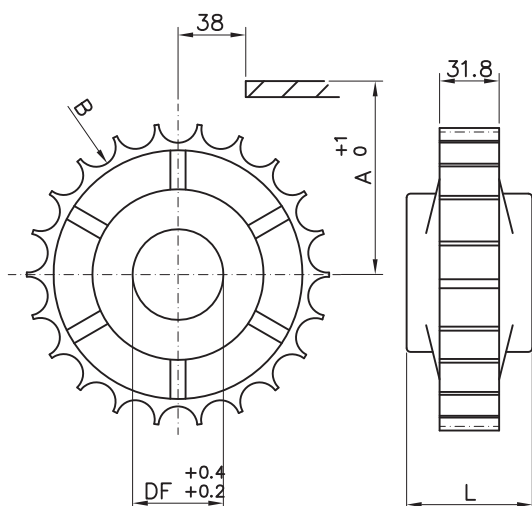
material: polyamide - screws in stainless steel,  
nuts in nickel plated brass / colour: black



CODE	Z	De	A	B	L	Df
R10421 25	21	129.0	67.8	116.1	51.0	25
R10421 30						30
R10421 35						35
R10421 40						40
R10421 45						45
R10423 25	23	142.0	73.8	128.1	51.0	25
R10423 30						30
R10423 35						35
R10423 40						40
R10423 45						45
R10425 25	25	154.0	79.8	140.1	58.5	25
R10425 30						30
R10425 35						35
R10425 40						40
R10425 45						45

### Standard idler wheels

material: polyamide  
colour: black



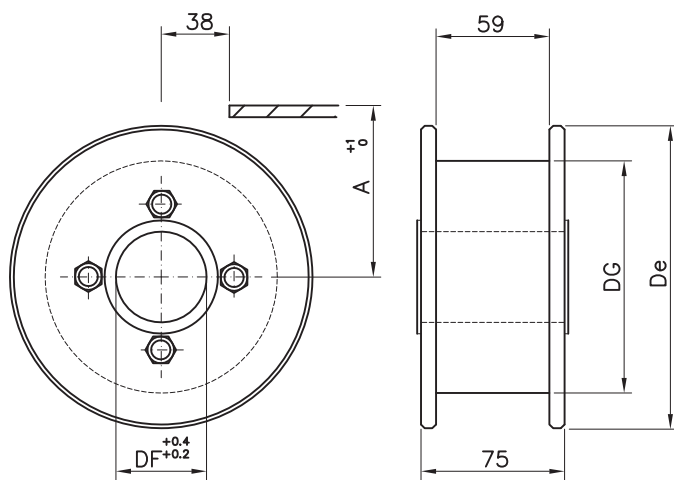
CODE	Z	De	Dp	A	L	Df
R00421 25	21	129.0	129.26	67.8	51.0	25
R00421 30						30
R00421 35						35
R00421 40						40
R00421 45						45
R00425 25	25	154.0	153.2	79.8	58.5	25
R00425 30						30
R00425 35						35
R00425 40						40
R00425 45						45

## INJECTED IDLER WHEELS

881TAB/8811TAB/8811R-TAB/815TAB Series

### Self-lubricating idler wheels

material: self-lubricating polyamide  
screws in zinc plated steel / colour: black



CODE	Z eq.	De	Dg	A	Df
K00419 25	19	118.0	80.0	62.6	25
K00419 30					30
K00419 35					35
K00419 40					40
K00421 25					21
K00421 30	30				
K00421 35	35				
K00421 40	40				
K00423 25	23	142.5	108.0	74.6	
K00423 30					30
K00423 35					35
K00423 40					40
K00425 25					25
K00425 30	30				
K00425 35	35				
K00425 40	40				
K00425 45	45				



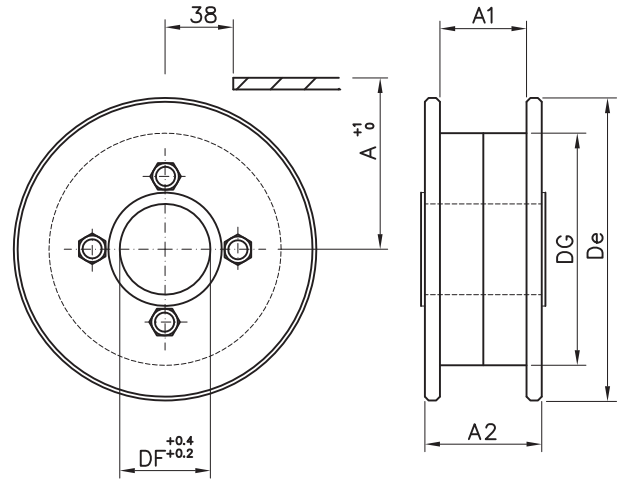
# INJECTED IDLER WHEELS

## 881/8811 Series

Self-lubricating idler wheels

material: self-lubricating polyamide - screws in zinc plated steel / colour: black

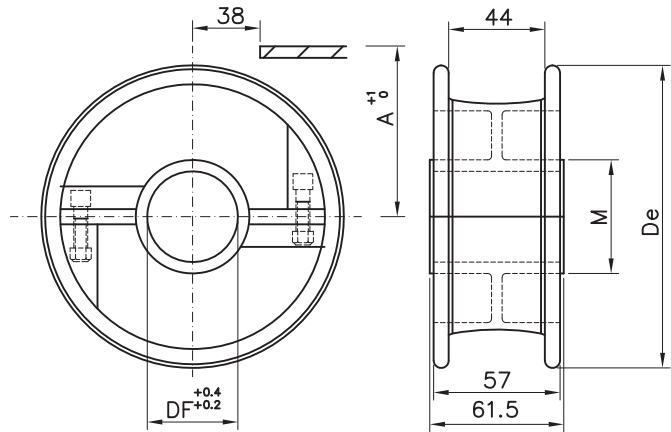
CODE	Z eq.	De	Dg	A	A1	A2	Df
K00615 30	15	90.0	58.0	48.2	48.0	83.0	30
K00615 35							35
K00615 40							40
K00615 45							45
K00617 25	17	106.0	71.0	56.2	44.0	52.0	25
K00617 30							30
K00619 25							25
K00619 30	19	118.0	80.0	62.6	44.0	60.0	30
K00619 35							35
K00619 40							40
K00621 25							25
K00621 30	21	129.8	80.0	68.6	44.0	60.0	30
K00621 35							35
K00621 40							40
K00623 25							25
K00623 30	23	142.5	108.0	74.6	44.0	60.0	30
K00623 35							35
K00623 40							40
K00625 25							25
K00625 30	25	155.0	108.0	80.5	44.0	60.0	30
K00625 35							35
K00625 40							40



Split idler wheels

material: self-lubricating polyamide / colour: black

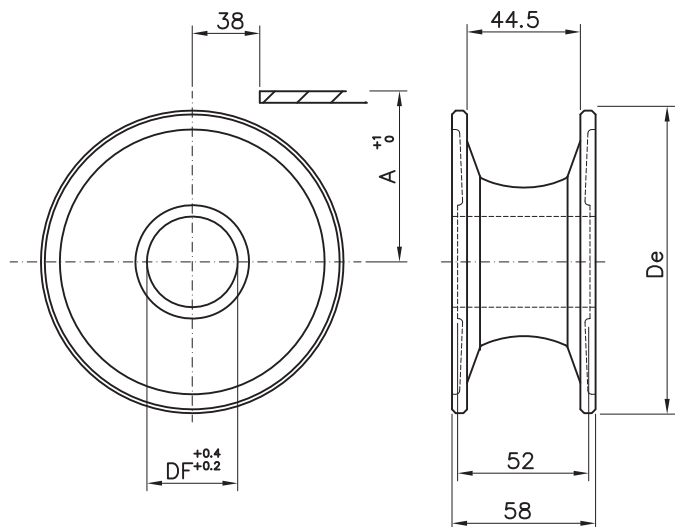
CODE	Z eq.	De	A	Df
P10621 25	21	129.8	48.2	25
P10621 30				30
P10621 35				35
P10621 40				40
P10623 25	23	142.5	74.6	25
P10623 30				30
P10623 35				35
P10623 40				40
P10625 25	25	154.5	80.5	25
P10625 30				30
P10625 35				35
P10625 40				40



Standard idler wheels

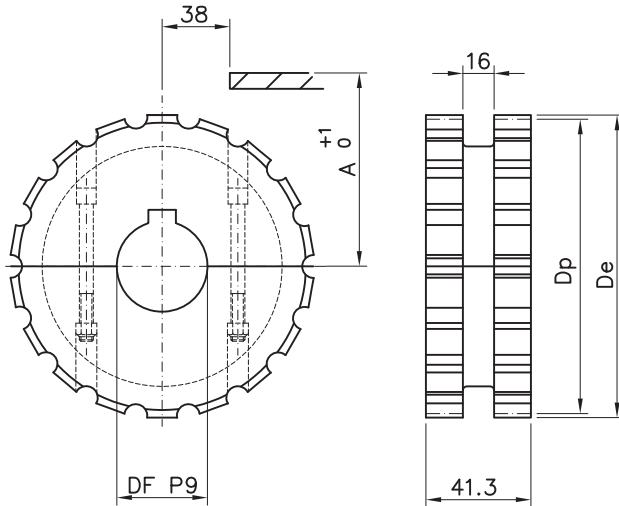
material: self-lubricating polyamide  
colour: black

CODE	Z eq.	De	A	Df
P00615 25	15	95.5	92.0	25
P00615 30				30
P00617 25	17	106.5	57.0	25
P00617 30				30
P00618 25	18	113.0	92.0	25
P00618 30				30
P00619 20	19	117.0	62.6	20
P00619 25				25
P00619 30				30
P00619 35				35
P00619 40	40			
P00621 20	21	129.8	68.6	20
P00621 25				25
P00621 30				30
P00621 35				35
P00621 40	40			
P00623 20	23	142.2	74.6	20
P00623 25				25
P00623 30				30
P00623 35				35
P00623 40	40			
P00625 20	25	154.7	80.5	20
P00625 25				25
P00625 30				30
P00625 35				35
P00625 40	40			



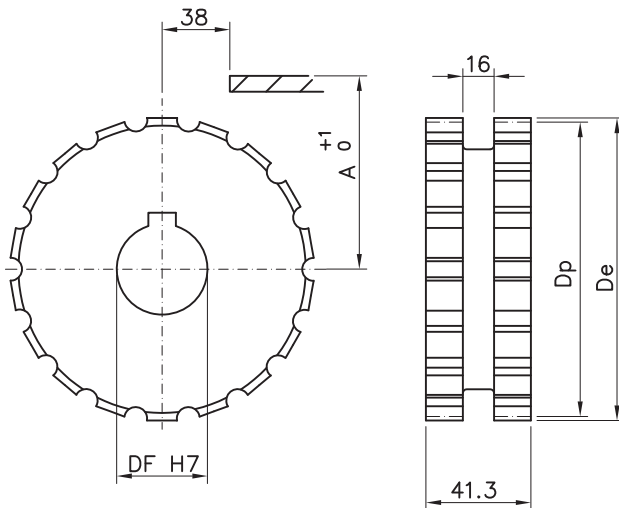


Split sprockets  
 material: polyamide - screws in stainless steel  
 UNI 6604-69 key seat



CODE	Z	De	Dp	A	Df
S11617 18	17	103.9	105.47	55.9	18*
S11617 25					25
S11617 30					30
S11617 35					35
S11617 40					40
S11619 18	19	117.0	117.34	61.9	18*
S11619 25					25
S11619 30					30
S11619 35					35
S11619 40					40
S11621 18	21	129.0	129.26	67.8	18*
S11621 25					25
S11621 30					30
S11621 35					35
S11621 40					40
S11623 18	23	142.0	141.21	73.8	18*
S11623 25					25
S11623 30					30
S11623 35					35
S11623 40					40
S11625 18	25	154.0	153.21	79.8	18*
S11625 25					25
S11625 30					30
S11625 35					35
S11625 40					40
S11627 18	27	166.8	165.2	85.8	18*
S11627 25					25
S11627 30					30
S11627 35					35
S11627 40					40
S11629 18	29	178.5	177.24	91.8	18*
S11629 25					25
S11629 30					30
S11629 35					35
S11629 40					40

Standard sprockets \* plain bore  
 material: polyamide  
 UNI 6604-69 key seat



CODE	Z	De	Dp	A	Df
S01617 25	17	103.9	105.47	55.9	25
S01617 30					30
S01617 35					35
S01617 40					40
S01619 25	19	117.0	117.34	61.9	25
S01619 30					30
S01619 35					35
S01619 40					40
S01621 25	21	129.0	129.26	67.8	25
S01621 30					30
S01621 35					35
S01621 40					40
S01623 25	23	142.0	141.21	73.8	25
S01623 30					30
S01623 35					35
S01623 40					40
S01625 25	25	154.0	153.21	79.8	25
S01625 30					30
S01625 35					35
S01625 40					40
S01627 25	27	166.8	165.2	85.8	25
S01627 30					30
S01627 35					35
S01627 40					40
S01629 25	29	178.5	177.24	91.8	25
S01629 30					30
S01629 35					35
S01629 40					40

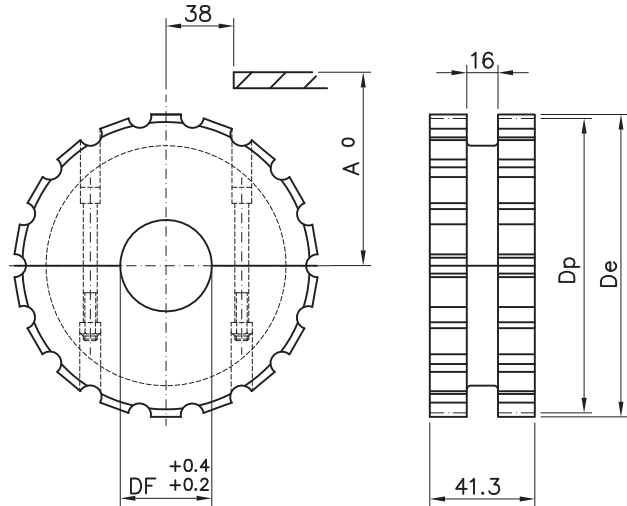


**MACHINED IDLER WHEELS**  
**820/831/LBP831 Series**

Split idler wheels

material: polyamide - screws in stainless steel

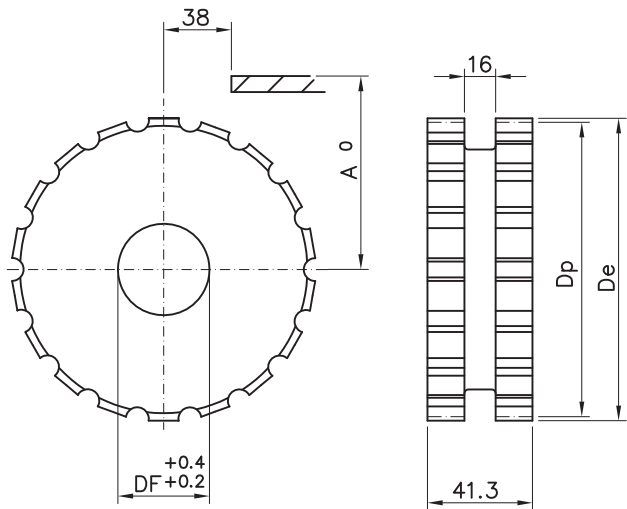
CODE	Z	De	Dp	A	Df
R11617 25	17	103.9	105.47	55.9	25
R11617 30					30
R11617 35					35
R11617 40					40
R11619 25	19	117.0	117.34	61.9	25
R11619 30					30
R11619 35					35
R11619 40					40
R11621 25	21	129.0	129.26	67.8	25
R11621 30					30
R11621 35					35
R11621 40					40
R11623 25	23	142.0	141.21	73.8	25
R11623 30					30
R11623 35					35
R11623 40					40
R11625 25	25	154.0	153.21	79.8	25
R11625 30					30
R11625 35					35
R11625 40					40
R11627 25	27	166.8	165.2	85.8	25
R11627 30					30
R11627 35					35
R11627 40					40
R11629 25	29	178.5	177.24	91.8	25
R11629 30					30
R11629 35					35
R11629 40					40



Standard idler wheels

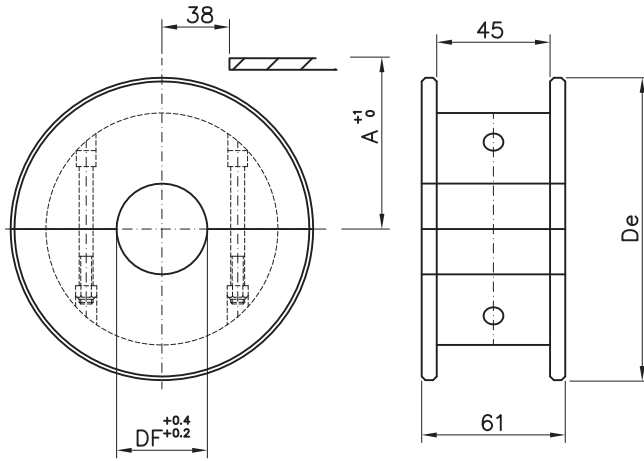
material: polyamide

CODE	Z	De	Dp	A	Df
R01617 25	17	103.9	105.47	55.9	25
R01617 30					30
R01617 35					35
R01617 40					40
R01619 25	19	117.0	117.34	61.9	25
R01619 30					30
R01619 35					35
R01619 40					40
R01621 25	21	129.0	129.26	67.8	25
R01621 30					30
R01621 35					35
R01621 40					40
R01623 25	23	142.0	141.21	73.8	25
R01623 30					30
R01623 35					35
R01623 40					40
R01625 25	25	154.0	153.21	79.8	25
R01625 30					30
R01625 35					35
R01625 40					40
R01627 25	27	166.8	165.2	85.8	25
R01627 30					30
R01627 35					35
R01627 40					40
R01629 25	29	178.5	177.24	91.8	25
R01629 30					30
R01629 35					35
R01629 40					40





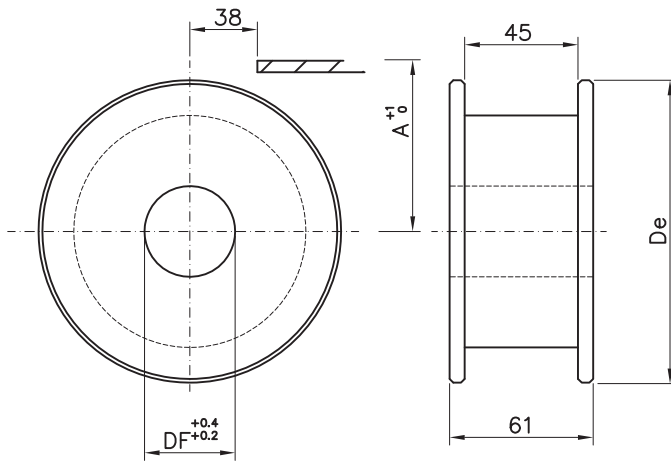
Split idler wheels  
 material: polyamide - screws in stainless steel



P11629 20	29	179.3	92.8	20
P11629 25				25
P11629 30				30
P11629 35				35
P11629 40				40

CODE	Z	De	A	Df
P11617 20	17	104.0	56.2	20
P11617 25				25
P11617 30				30
P11617 35				35
P11617 40				40
P11619 20	19	117.0	62.6	20
P11619 25				25
P11619 30				30
P11619 35				35
P11619 40				40
P11621 20	21	129.8	68.6	20
P11621 25				25
P11621 30				30
P11621 35				35
P11621 40				40
P11623 20	23	142.2	74.6	20
P11623 25				25
P11623 30				30
P11623 35				35
P11623 40				40
P11625 20	25	154.7	80.5	20
P11625 25				25
P11625 30				30
P11625 35				35
P11625 40				40
P11627 20	27	167.2	88.5	20
P11627 25				25
P11627 30				30
P11627 35				35
P11627 40				40

Standard idler wheels  
 material: polyamide



P01629 20	29	179.3	92.8	20
P01629 25				25
P01629 30				30
P01629 35				35
P01629 40				40

CODE	Z	De	A	Df
P01617 20	17	104.0	56.2	20
P01617 25				25
P01617 30				30
P01617 35				35
P01617 40				40
P01619 20	19	117.0	62.6	20
P01619 25				25
P01619 30				30
P01619 35				35
P01619 40				40
P01621 20	21	129.8	68.6	20
P01621 25				25
P01621 30				30
P01621 35				35
P01621 40				40
P01623 20	23	142.2	74.6	20
P01623 25				25
P01623 30				30
P01623 35				35
P01623 40				40
P01625 20	25	154.7	80.5	20
P01625 25				25
P01625 30				30
P01625 35				35
P01625 40				40
P01627 20	27	167.2	88.5	20
P01627 25				25
P01627 30				30
P01627 35				35
P01627 40				40



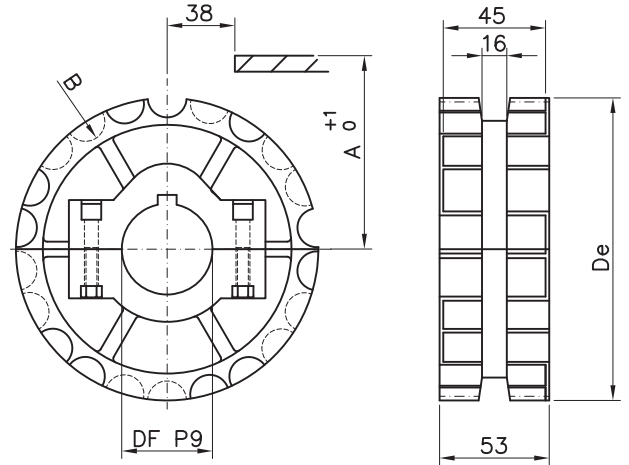
# INJECTED SPROCKETS AND IDLER WHEELS

## 820 Series

### Split sprockets

material: reinforced polyamide - screws in stainless steel,  
nuts in nickel plated steel / UNI 6604-69 key seat

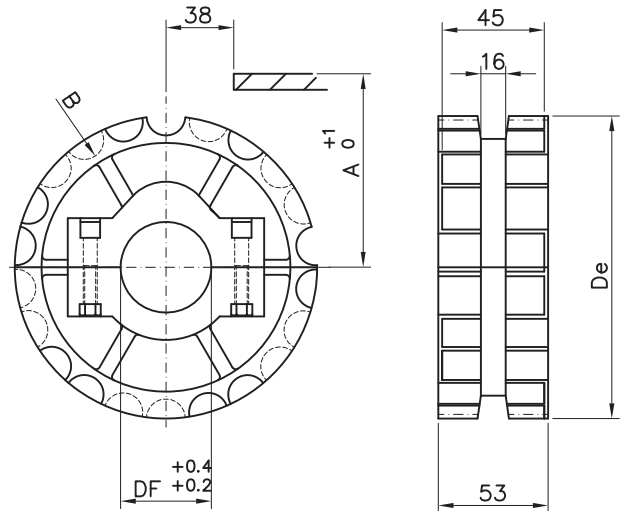
CODE	Z	De	B	A	Df
S10621 25	21	129.0	116.1	67.8	25
S10621 30					30
S10621 35					35
S10621 40					40
S10621 45					45
S10623 25	23	142.0	128.1	73.8	25
S10623 30					30
S10623 35					35
S10623 40					40
S10623 45					45
S10625 25	25	154.0	140.1	79.8	25
S10625 30					30
S10625 35					35
S10625 40					40
S10625 45					45



### Split idler wheels

material: polyamide - screws in stainless steel,  
nuts in nickel plated steel

CODE	Z	De	B	A	Df
R10621 25	21	129.0	116.1	67.8	25
R10621 30					30
R10621 35					35
R10621 40					40
R10621 45					45
R10623 25	23	142.0	128.1	73.8	25
R10623 30					30
R10623 35					35
R10623 40					40
R10623 45					45
R10625 25	25	154.0	140.1	79.8	25
R10625 30					30
R10625 35					35
R10625 40					40
R10625 45					45



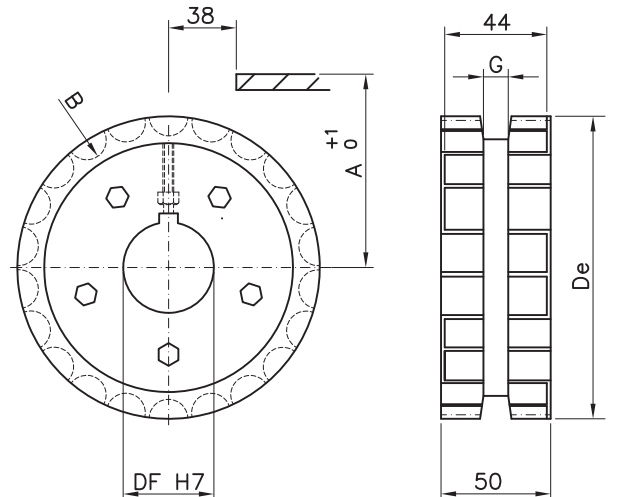
## INJECTED SPROCKETS

### 820 Series

### Standard sprockets

material: reinforced polyamide - screws in stainless steel  
UNI 6604-69 key seat

CODE	Z	De	Dp	A	B	G	Df
S00615 25	15	92.2	93.67	-	-	-	25
S00615 30							30
S00617 25							17
S00617 30	30						
S00619 25	19	117.0	117.34	62.0	104.2	25	
S00619 30						30	
S00619 35						35	
S00619 40						40	
S00621 25						21	129.0
S00621 30	30						
S00621 35	35						
S00621 40	40						
S00623 25	23	142.0	141.21	74.0	128.1		
S00623 30						30	
S00623 35						35	
S00623 40						40	
S00625 25						25	154.0
S00625 30	30						
S00625 35	35						
S00625 40	40						



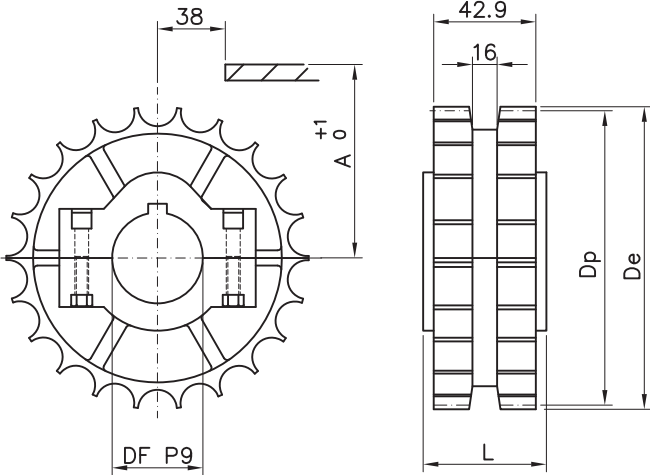


## INJECTED SPROCKETS 831/LBP831 Series



### Split sprockets

material: reinforced polyamide - screws in stainless steel,  
nuts in nickel plated steel / UNI 6604-69 key seat

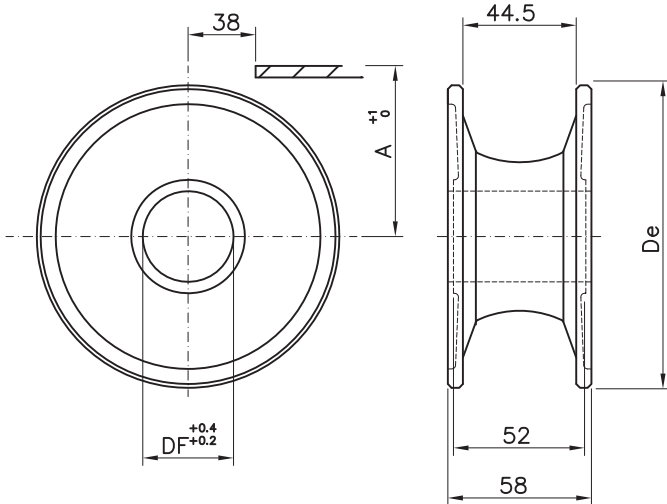


CODE	Z	De	Dp	A	L	Df
D10621 25	21	129.5	129.26	67.8	51.0	25
D10621 30						30
D10621 35						35
D10621 40						40
D10621 45						45
D10623 25	23	142.0	141.22	73.8	51.0	25
D10623 30						30
D10623 35						35
D10623 40						40
D10623 45						45
D10625 25	25	154.2	153.21	79.8	58.5	25
D10625 30						30
D10625 35						35
D10625 40						40
D10625 45						45

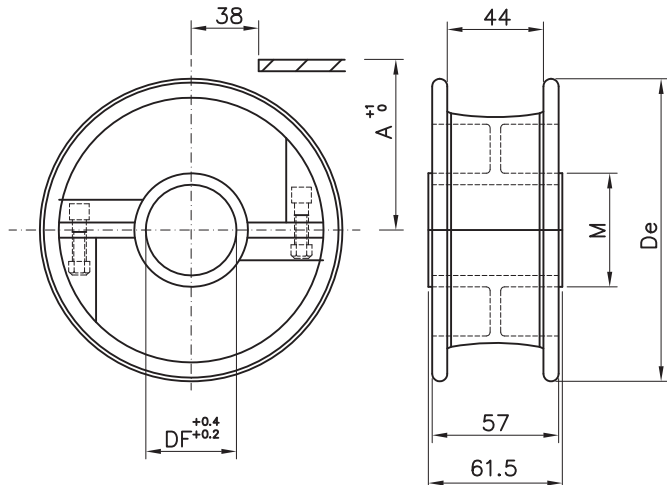
## INJECTED IDLER WHEELS 820/831/LBP831 Series

### Standard idler wheels

material: self-lubricating polyamide  
colour: black



CODE	Z eq.	De	A	Df
P00615 25	15	95.5	92.0	25
P00615 30				30
P00617 25	17	106.5	57.0	25
P00617 30				30
P00618 25	18	113.0	92.0	25
P00618 30				30
P00619 20	19	117.0	62.6	20
P00619 25				25
P00619 30				30
P00619 35				35
P00619 40				40
P00621 20	21	129.8	68.6	20
P00621 25				25
P00621 30				30
P00621 35				35
P00621 40				40
P00623 20	23	142.2	74.6	20
P00623 25				25
P00623 30				30
P00623 35				35
P00623 40				40
P00625 20	25	154.7	80.5	20
P00625 25				25
P00625 30				30
P00625 35				35
P00625 40				40



### Split idler wheels

material: self-lubricating polyamide - screws  
in stainless steel  
colour: black

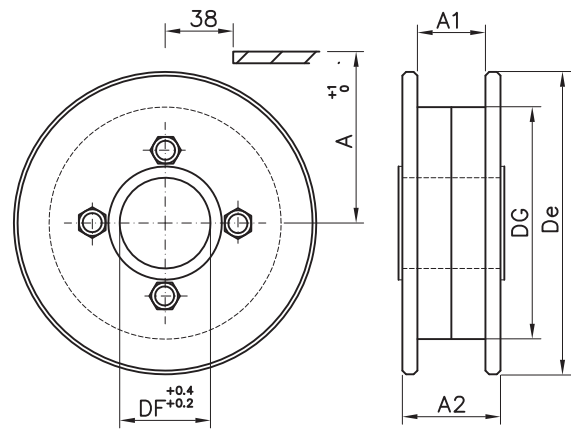
CODE	Z eq.	De	A	M	Df
P10621 25	21	130	48.2	35	25
P10621 30				40	30
P10621 35				45	35
P10621 40				50	40
P10623 25	23	142.5	74.6	40	25
P10623 30				40	30
P10623 35				50	35
P10623 40				50	40
P10625 25	25	154.5	80.5	35	25
P10625 30				40	30
P10625 35				45	35
P10625 40				50	40



**INJECTED IDLER WHEELS**  
**820/831/LBP831 Series**

Standard idler wheels  
material: self-lubricating polyamide / colour: black

CODE	Z eq.	De	Dg	A	A1	A2	Df						
K00615 30	15	90.0	58.0	48.2	48.0	83.0	30						
K00615 35							35						
K00615 40							40						
K00615 45							45						
K00617 25	17	106.0	71.0	56.2	44.0	52.0	25						
K00617 30							30						
K00619 25							19	118.0	80.0	62.6	44.0	60.0	25
K00619 30													30
K00619 35	35												
K00619 40	40												
K00621 25	21	129.8	80.0	68.6	44.0	60.0	25						
K00621 30							30						
K00621 35							35						
K00621 40							40						
K00623 25	23	142.5	108.0	74.6	44.0	60.0	25						
K00623 30							30						
K00623 35							35						
K00623 40							40						

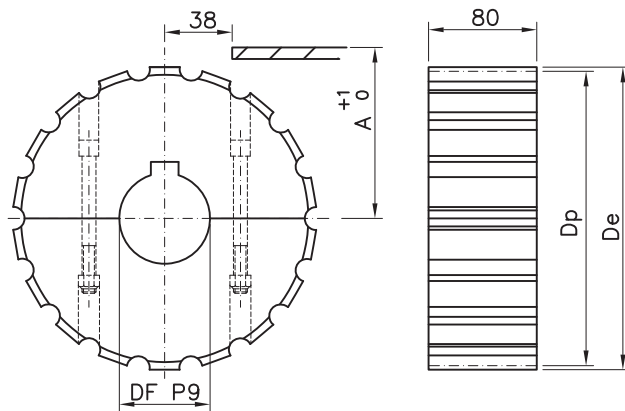


K00625 25	25	155.0	108.0	74.6	44.0	60.0	25
K00625 30							30
K00625 35							35
K00625 40							40

**MACHINED SPROCKETS**  
**821/LBP821 Series**

Split sprockets  
material: polyamide - screws in stainless steel / UNI 6604-69 key seat

CODE	Z	De	Dp	A	Df
S11719 18	19	117.0	117.34	61.9	18*
S11719 25					25
S11719 30					30
S11719 35					35
S11719 40	40				
S11721 18	21	129.0	129.26	67.8	18*
S11721 25					25
S11721 30					30
S11721 35					35
S11721 40	40				
S11723 18	23	142.0	141.21	73.8	18*
S11723 25					25
S11723 30					30
S11723 35					35
S11723 40	40				
S11725 18	25	154.0	153.21	79.8	18*
S11725 25					25
S11725 30					30
S11725 35					35
S11725 40	40				

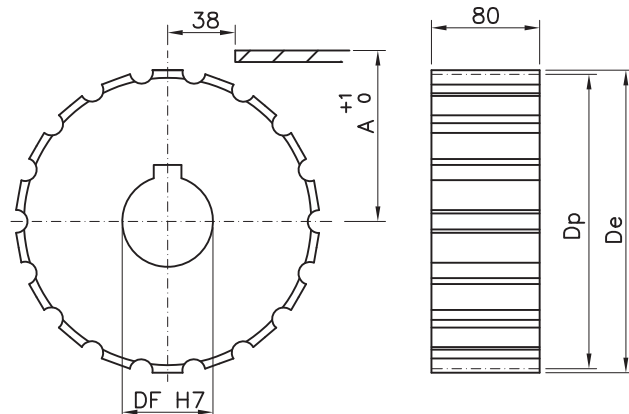


S11727 18	27	166.8	165.2	85.8	18*
S11727 25					25
S11727 30					30
S11727 35					35
S11727 40	40				
S11729 18	29	178.5	177.24	91.8	18*
S11729 25					25
S11729 30					30
S11729 35					35
S11729 40	40				

\* plain bore

Standard sprockets  
material: polyamide / UNI 6604-69 key seat

CODE	Z	De	Dp	A	Df
S01719 25	19	117.0	117.34	61.9	25
S01719 30					30
S01719 35					35
S01719 40					40
S01721 25	21	129.0	129.26	67.8	25
S01721 30					30
S01721 35					35
S01721 40					40
S01723 25	23	142.0	141.21	73.8	25
S01723 30					30
S01723 35					35
S01723 40					40
S01725 25	25	154.0	153.21	79.8	25
S01725 30					30
S01725 35					35
S01725 40					40
S01727 25	27	166.8	165.2	85.8	25
S01727 30					30
S01727 35					35
S01727 40					40

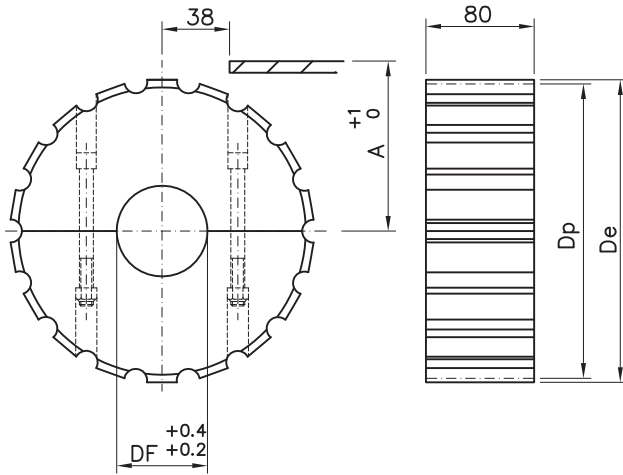


S01729 25	29	178.5	177.24	91.8	25
S01729 30					30
S01729 35					35
S01729 40					40

**MACHINED IDLER WHEELS**  
**821/LBP821 Series**

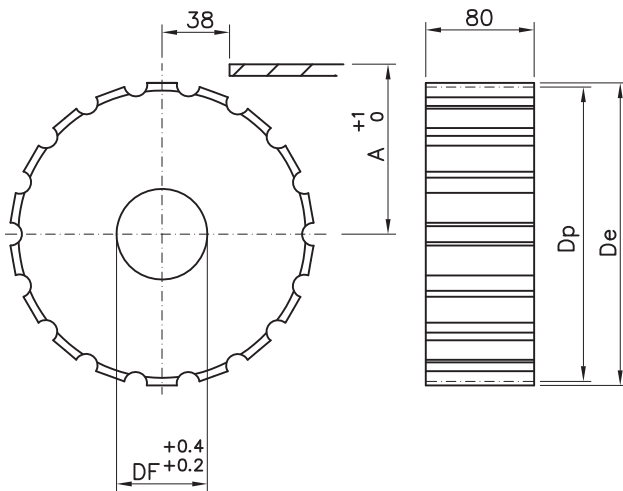


Split idler wheels  
 material: polyamide - screws in stainless steel

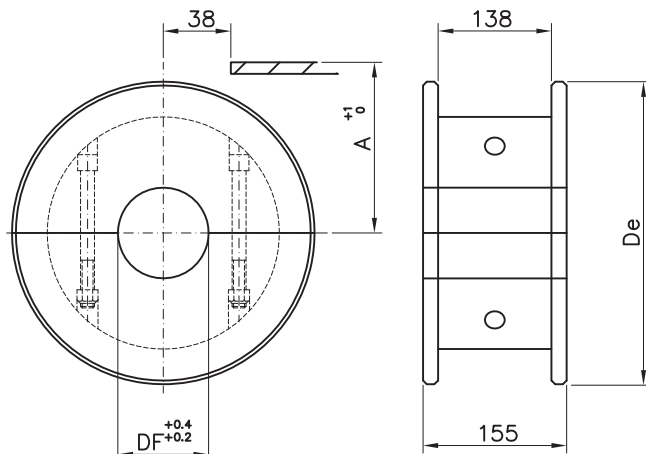


CODE	Z	De	Dp	A	Df
R11719 25	19	117.0	117.34	61.9	25
R11719 30					30
R11719 35					35
R11719 40					40
R11721 25	21	129.0	129.26	67.8	25
R11721 30					30
R11721 35					35
R11721 40					40
R11723 25	23	142.0	141.21	73.8	25
R11723 30					30
R11723 35					35
R11723 40					40
R11725 25	25	154.0	153.21	79.8	25
R11725 30					30
R11725 35					35
R11725 40					40
R11727 25	27	166.8	165.2	85.8	25
R11727 30					30
R11727 35					35
R11727 40					40
R11729 25	29	178.5	177.24	91.8	25
R11729 30					30
R11729 35					35
R11729 40					40

Standard idler wheels  
 material: polyamide



CODE	Z	De	Dp	A	Df
R01719 25	19	117.0	117.34	61.9	25
R01719 30					30
R01719 35					35
R01719 40					40
R01721 25	21	129.0	129.26	67.8	25
R01721 30					30
R01721 35					35
R01721 40					40
R01723 25	23	142.0	141.21	73.8	25
R01723 30					30
R01723 35					35
R01723 40					40
R01725 25	25	154.0	153.21	79.8	25
R01725 30					30
R01725 35					35
R01725 40					40
R01727 25	27	166.8	165.20	85.8	25
R01727 30					30
R01727 35					35
R01727 40					40
R01729 25	29	178.5	177.24	91.8	25
R01729 30					30
R01729 35					35
R01729 40					40



Split idler wheels  
 material: polyamide - screws in stainless steel

CODE	Z eq.	De	A	Df
P11719 30	19	117.0	62.6	30
P11719 35				35
P11719 40				40
P11721 30	21	129.8	68.6	30
P11721 35				35
P11721 40				40
P11723 30	23	142.2	74.6	30
P11723 35				35
P11723 40				40
P11725 30	25	154.7	80.5	30
P11725 35				35
P11725 40				40

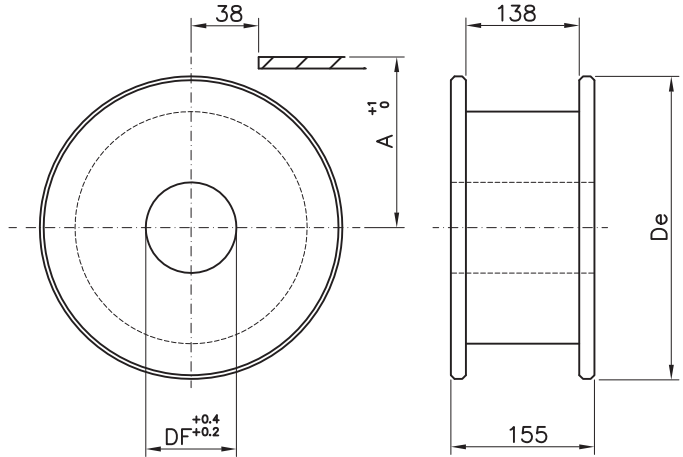


# MACHINED IDLER WHEELS

## 821/LBP821 Series

Standard idler wheels  
material: polyamide

CODE	Z eq.	De	A	Df
P01719 30	19	117.0	62.6	30
P01719 35				35
P01719 40				40
P01721 30	21	129.8	68.6	30
P01721 35				35
P01721 40				40
P01723 30	23	142.2	74.6	30
P01723 35				35
P01723 40				40
P01725 30	25	154.7	80.5	30
P01725 35				35
P01725 40				40

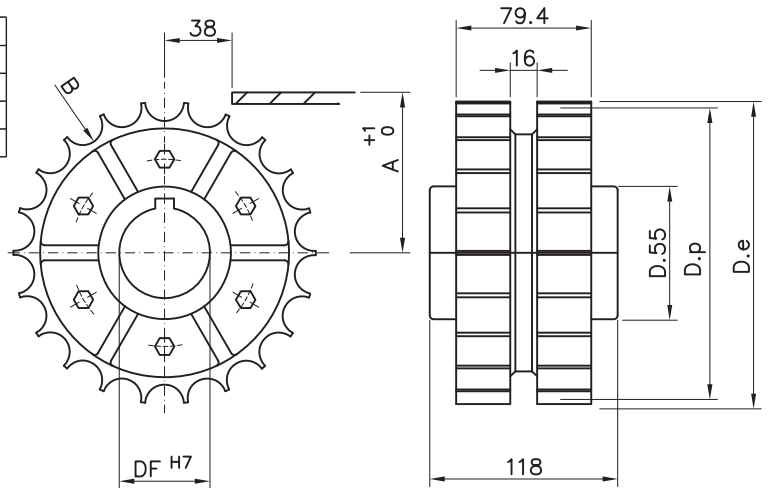


## INJECTED SPROCKETS AND IDLER WHEELS

### 821/LBP821 Series

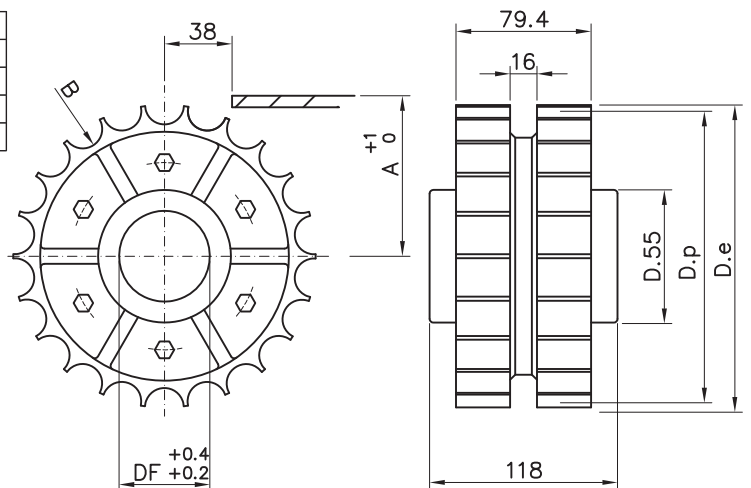
Drive sprockets  
material: reinforced polyamide - screws in stainless steel  
UNI 6604-69 key seat

CODE	Z	De	Dp	A	B	Df
S00725 25	25	154.0	153.2	79.8	140.1	25
S00725 30						30
S00725 35						35
S00725 40						40



Standard idler wheels  
material: polyamide - screws in stainless steel,  
nuts in nickel plated brass

CODE	Z	De	Dp	A	B	Df
R00725 25	25	154.0	153.2	79.8	140.1	25
R00725 30						30
R00725 35						35
R00725 40						40

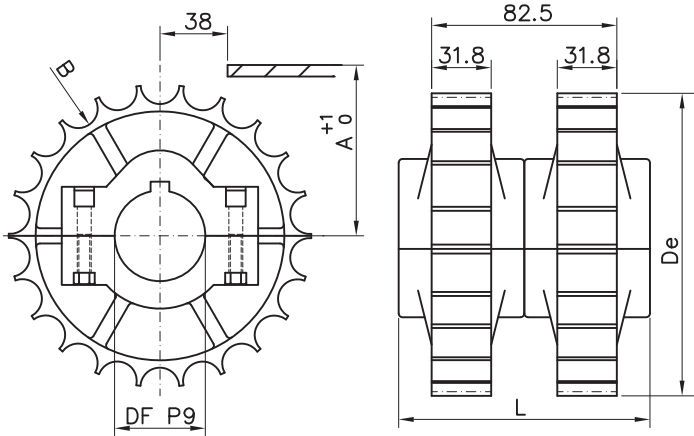


## INJECTED SPROCKETS AND IDLER WHEELS 821/LBP821 Series



### Split sprockets

material: reinforced polyamide - screws in stainless steel,  
nuts in nickel plated brass / UNI 6604-69 key seat

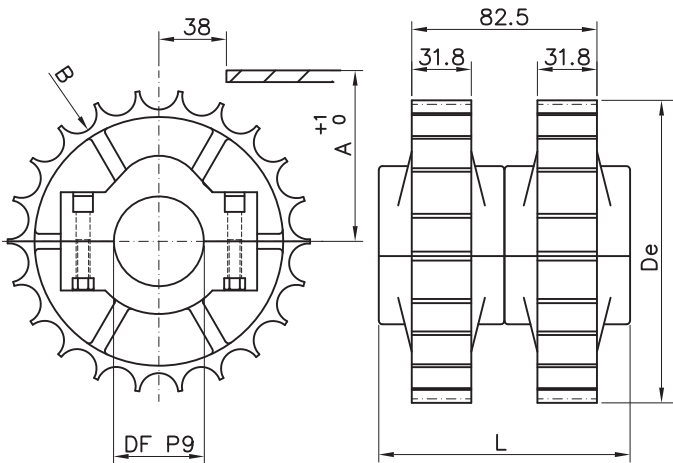


CODE	Z	De	Dp	A	B	L	Df
S10721 35	21	129.5	129.26	79.8	140.1	102.0	35
S10721 40							40
S10721 45							45
S10723 35	23	142.0	141.22	79.8	140.1	102.0	35
S10723 40							40
S10723 45							45
S10725 35	25	154.2	153.21	79.8	140.1	117.0	35
S10725 40							40
S10725 45							45

## INJECTED IDLER WHEELS 821/LBP821 Series

### Split idler wheels

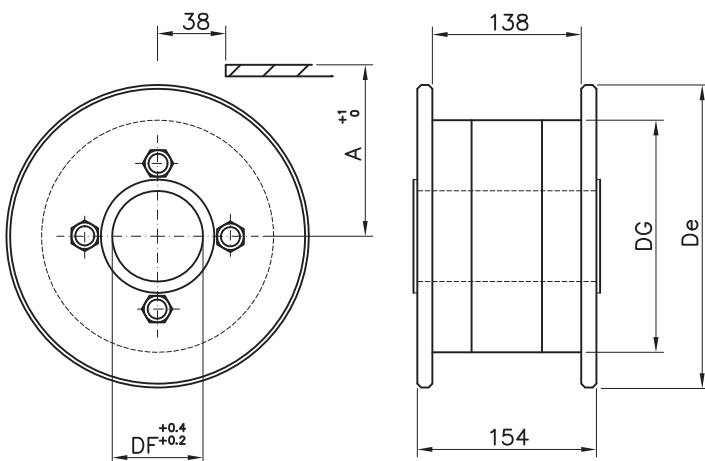
material: reinforced polyamide - screws in stainless steel,  
nuts in nickel plated brass



CODE	Z	De	Dp	A	B	L	Df
R10721 35	21	129.5	129.26	79.8	140.1	102.0	35
R10721 40							40
R10721 45							45
R10723 35	23	142.0	141.22	79.8	140.1	102.0	35
R10723 40							40
R10723 45							45
R10725 35	25	154.2	153.21	79.8	140.1	117.0	35
R10725 40							40
R10725 45							45

### Standard idler wheels

material: self-lubricating polyamide -  
screws in zinc plated steel / colour: black



CODE	Z eq.	De	Dg	A	Df
K00719 25	19	118.0	80.0	62.6	25
K00719 30					30
K00719 35					35
K00719 40					40
K00721 25	21	128.0	80.0	68.6	25
K00721 30					30
K00721 35					35
K00721 40					40
K00723 25	23	142.5	108.0	74.6	25
K00723 30					30
K00723 35					35
K00723 40					40
K00725 25	25	155.0	108.0	80.5	25
K00725 30					30
K00725 35					35
K00725 40					40



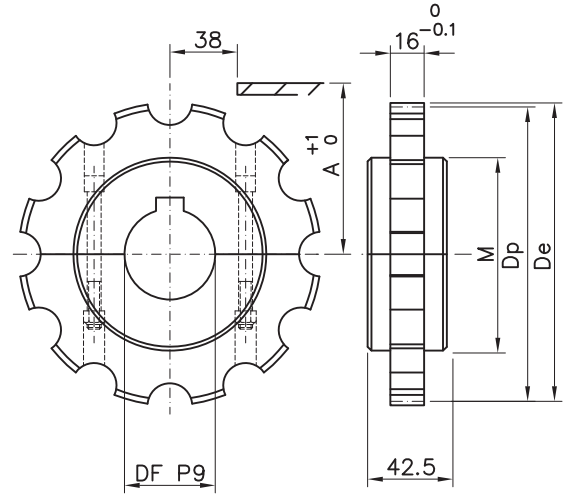
Split sprockets

material: polyamide - screws in stainless steel

UNI 6604-69 key seat

CODE	Z	De	Dp	A	B	M	Df
S11809 18	09	110.0	111.4	59.3	95.0	75.0	18*
S11809 25							25
S11809 30							30
S11809 35							35
S11809 40							40
S11810 18	10	122.0	123.3	65.25	107.0	85.0	18*
S11810 25							25
S11810 30							30
S11810 35							35
S11810 40							40
S11811 18	11	135	135.2	71.2	119.0	90.0	18*
S11811 25							25
S11811 30							30
S11811 35							35
S11811 40							40
S11812 18	12	147.3	147.2	77.2	131.0	95.0	18*
S11812 25							25
S11812 30							30
S11812 35							35
S11812 40							40

\* plain bore

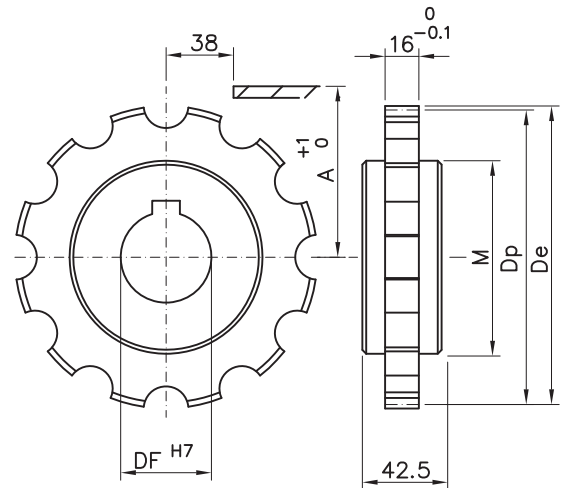


Standard sprockets

material: polyamide

UNI 6604-69 key seat

CODE	Z	De	Dp	A	B	M	Df
S01809 25	09	110.0	111.4	59.3	95.0	75.0	25
S01809 30							30
S01809 35							35
S01809 40							40
S01810 25							10
S01810 30	30						
S01810 35	35						
S01810 40	40						
S01811 25	11	135.0	135.2	71.2	119.0	90.0	
S01811 30							30
S01811 35							35
S01811 40							40
S01812 25							12
S01812 30	30						
S01812 35	35						
S01812 40	40						



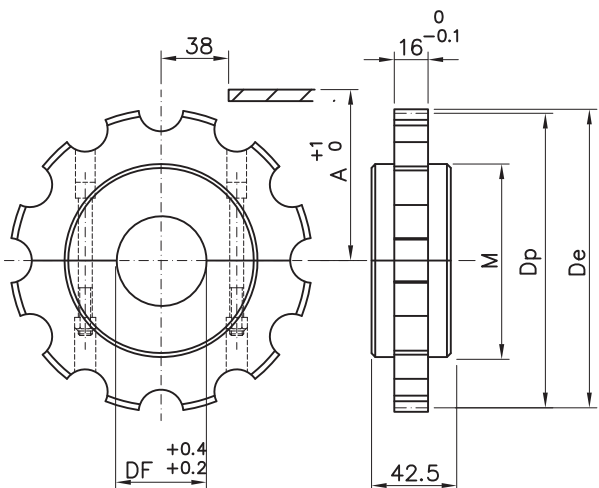
MACHINED IDLER WHEELS

878TAB/879/879TAB/879M/880/880TAB/880M Series



Split idler wheels

material: polyamide - screws in stainless steel

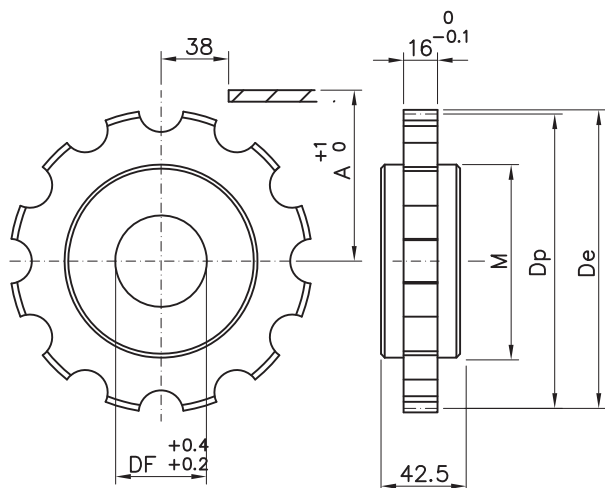


CODE	Z	De	Dp	A	B	M	Df
R11809 18	09	110.0	111.4	59.3	95.0	75.0	18*
R11809 25							25
R11809 30							30
R11809 35							35
R11809 40							40
R11810 18	10	122.0	123.3	65.25	107.0	85.0	18*
R11810 25							25
R11810 30							30
R11810 35							35
R11810 40							40
R11811 18	11	135.0	135.2	71.2	119.0	90.0	18*
R11811 25							25
R11811 30							30
R11811 35							35
R11811 40							40
R11812 18	12	147.3	147.2	77.2	131.0	95.0	18*
R11812 25							25
R11812 30							30
R11812 35							35
R11812 40							40

\* plain bore

Standard idler wheels

material: polyamide



CODE	Z	De	Dp	A	B	M	Df
R01809 25	09	110.0	111.4	59.3	95.0	75.0	25
R01809 30							30
R01809 35							35
R01809 40							40
R01810 25							10
R01810 30	30						
R01810 35	35						
R01810 40	40						
R01811 25	11	135.0	135.2	71.2	119.0	90.0	
R01811 30							30
R01811 35							35
R01811 40							40
R01812 25							12
R01812 30	30						
R01812 35	35						
R01812 40	40						

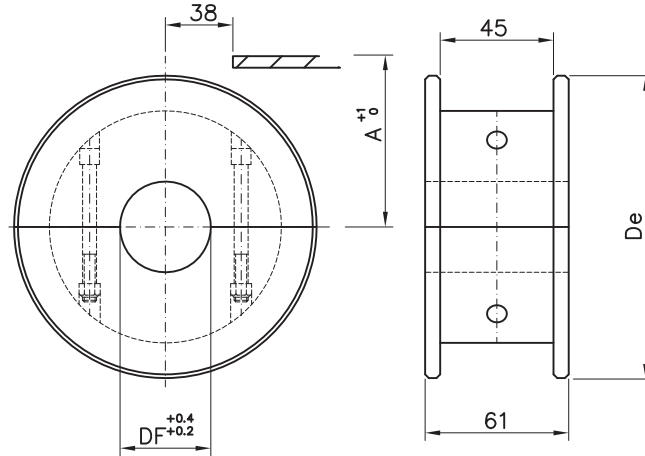


**MACHINED IDLER WHEELS**  
**879/879M/880/880M Series**

Split idler wheels

material: polyamide - screws in stainless steel

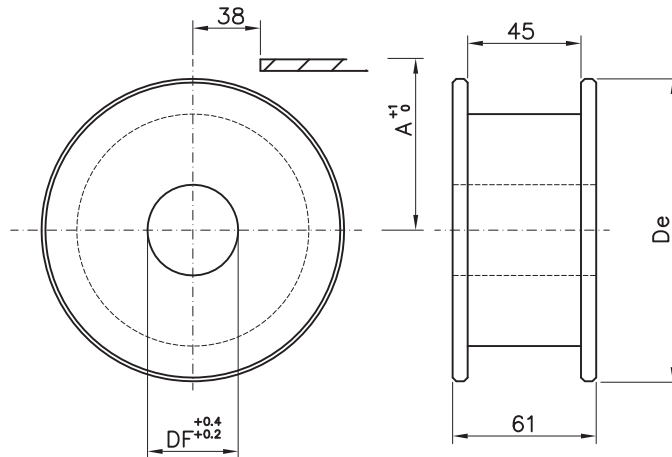
CODE	Z eq.	De	A	Df
P11609 20	09	117.0	62.6	20
P11609 25				25
P11609 30				30
P11609 35				35
P11609 40				40
P11610 20	10	129.8	68.6	20
P11610 25				25
P11610 30				30
P11610 35				35
P11610 40				40
P11611 20	11	142.2	74.6	20
P11611 25				25
P11611 30				30
P11611 35				35
P11611 40				40
P11612 20	12	154.7	80.5	20
P11612 25				25
P11612 30				30
P11612 35				35
P11612 40				40



Standard idler wheels

material: polyamide

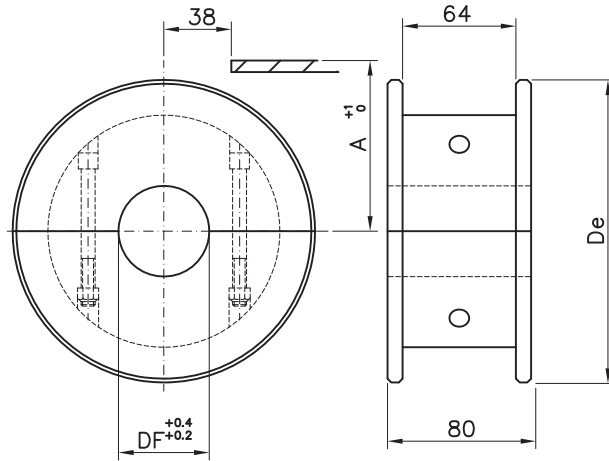
CODE	Z eq.	De	A	Df
P01609 20	09	117.0	62.6	20
P01609 25				25
P01609 30				30
P01609 35				35
P01609 40				40
P01610 20	10	129.8	68.6	20
P01610 25				25
P01610 30				30
P01610 35				35
P01610 40				40
P01611 20	11	142.2	74.6	20
P01611 25				25
P01611 30				30
P01611 35				35
P01611 40				40
P01612 20	12	154.7	80.5	20
P01612 25				25
P01612 30				30
P01612 35				35
P01612 40				40





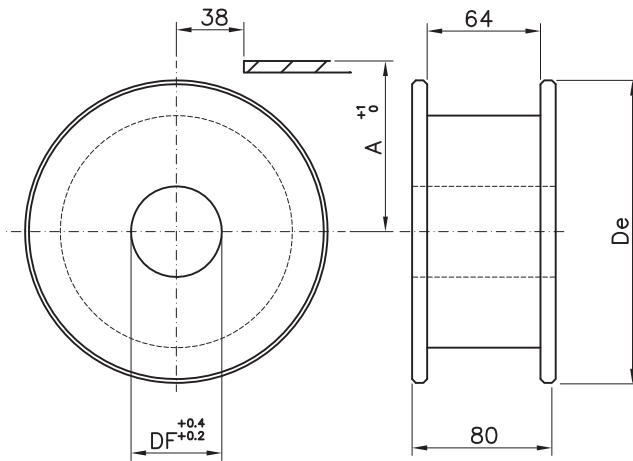


Split idler wheels  
 material: polyamide - screws in stainless steel



CODE	Z eq.	De	A	Df
B11809 20	09	117.0	62.1	20
B11809 25				25
B11809 30				30
B11809 35				35
B11809 40				40
B11810 20	10	129.8	68.5	20
B11810 25				25
B11810 30				30
B11810 35				35
B11810 40				40
B11811 20	11	142.2	74.7	20
B11811 25				25
B11811 30				30
B11811 35				35
B11811 40				40
B11812 20	12	154.7	80.9	20
B11812 25				25
B11812 30				30
B11812 35				35
B11812 40				40

Standard idler wheels  
 material: polyamide



CODE	Z eq.	De	A	Df
B01809 20	09	117.0	62.1	20
B01809 25				25
B01809 30				30
B01809 35				35
B01809 40				40
B01810 20	10	129.8	68.5	20
B01810 25				25
B01810 30				30
B01810 35				35
B01810 40				40
B01811 20	11	142.2	74.7	20
B01811 25				25
B01811 30				30
B01811 35				35
B01811 40				40
B01812 20	12	154.7	80.9	20
B01812 25				25
B01812 30				30
B01812 35				35
B01812 40				40

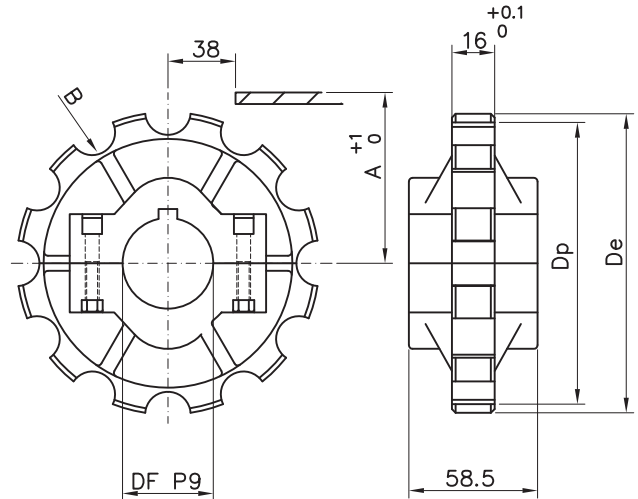


**INJECTED SPROCKETS AND IDLER WHEELS**  
**878TAB/879TAB/880TAB Series**

Split sprockets

material: reinforced polyamide - screws in stainless steel,  
 nuts in nickel plated brass / UNI 6604-69 key seat

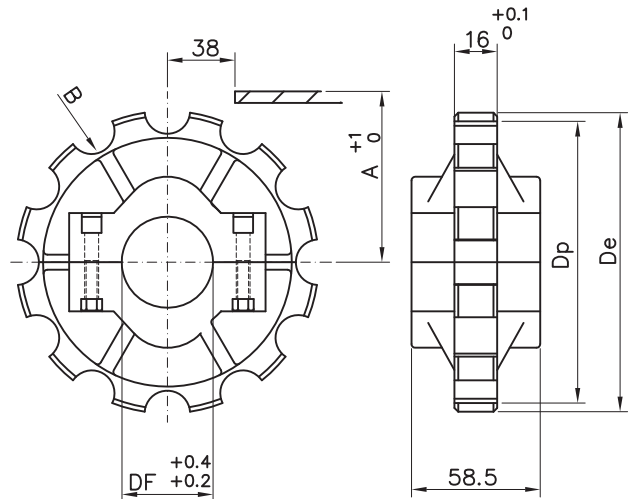
CODE	Z	De	Dp	A	B	Df
S10810 25	10	122.0	123.3	65.25	107.0	25
S10810 30						30
S10810 35						35
S10810 40						40
S10812 25	12	147.0	146.8	77.2	131.0	25
S10812 30						30
S10812 35						35
S10812 40						40



Split idler wheels

material: polyamide - screws in stainless steel,  
 nuts in nickel plated brass

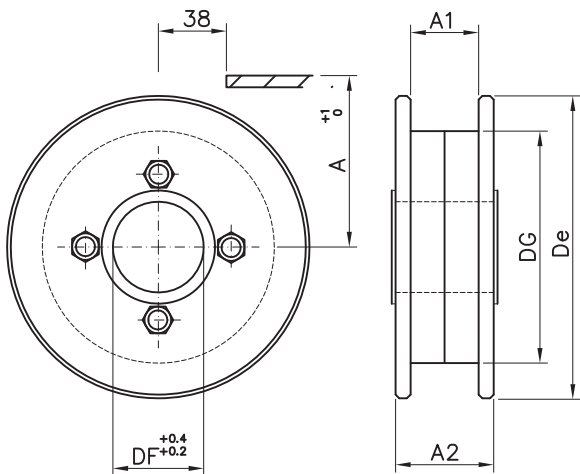
CODE	Z	De	Dp	A	B	Df
R10810 25	10	122.0	123.3	65.25	107.0	25
R10810 30						30
R10810 35						35
R10810 40						40
R10812 25	12	147.0	146.8	77.2	131.0	25
R10812 30						30
R10812 35						35
R10812 40						40



**INJECTED IDLER WHEELS**  
**879/879M/880/880M Series**



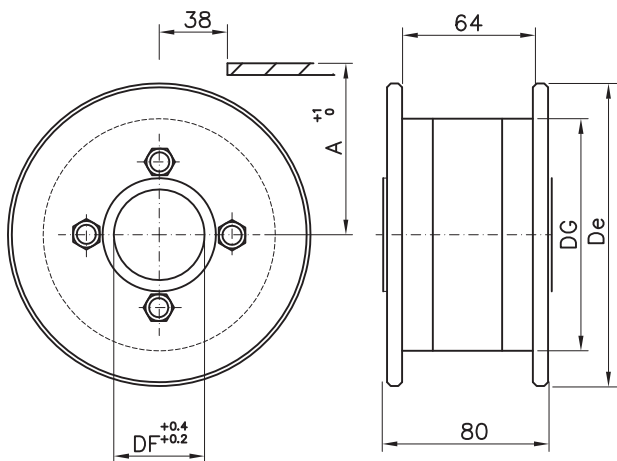
Idler wheels  
 material: self-lubricating polyamide - screws in zinc plated steel



CODE	Z eq.	De	Dg	A	A1	A2	Df
K00608 25	08	106.0	71.0	56.2	44.0	52.0	25
K00608 30							30
K00609 25	09	118.0	80.0	62.6	44.0	60.0	25
K00609 30							30
K00609 35							35
K00609 40							40
K00610 25	10	129.8	80.0	68.6	44.0	60.0	25
K00610 30							30
K00610 35							35
K00610 40							40
K00611 25	11	142.5	108.0	74.6	44.0	60.0	25
K00611 30							30
K00611 35							35
K00611 40							40
K00612 25	12	155.0	108.0	80.5	44.0	60.0	25
K00612 30							30
K00612 35							35
K00612 40							40

**INJECTED IDLER WHEELS**  
**878TAB/879TAB/880TAB Series**

Idler wheels  
 material: self-lubricating polyamide - screws in zinc plated steel



CODE	Z eq.	De	Dg	A	Df
T00809 25	09	118.0	80.0	62.6	25
T00809 30					30
T00809 35					35
T00809 40					40
T00810 25	10	129.8	80.0	68.6	25
T00810 30					30
T00810 35					35
T00810 40					40
T00811 25	11	142.5	108.0	74.6	25
T00811 30					30
T00811 35					35
T00811 40					40
T00812 25	12	155.0	108.0	80.5	25
T00812 30					30
T00812 35					35
T00812 40					40



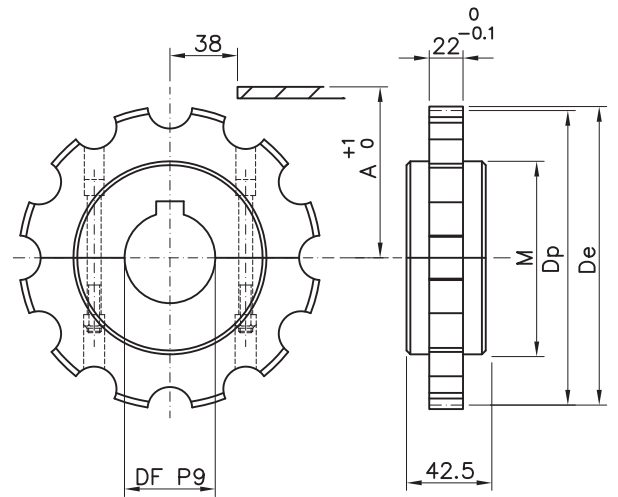
Split sprockets

material: polyamide - screws in stainless steel

UNI 6604-69 key seat

CODE	Z	De	Dp	A	B	M	Df
S11909 18	09	112.0	111.4	60.5	92.1	60.0	18*
S11909 25							25
S11909 30							30
S11909 35							35
S11909 40							40
S11910 18	10	125.0	123.2	66.4	104.0	75.0	18*
S11910 25							25
S11910 30							30
S11910 35							35
S11910 40							40
S11911 18	11	137.0	135.2	72.4	116.0	85.0	18*
S11911 25							25
S11911 30							30
S11911 35							35
S11911 40							40
S11912 18	12	149.0	147.2	78.4	127.9	90.0	18*
S11912 25							25
S11912 30							30
S11912 35							35
S11912 40							40

\* plain bore

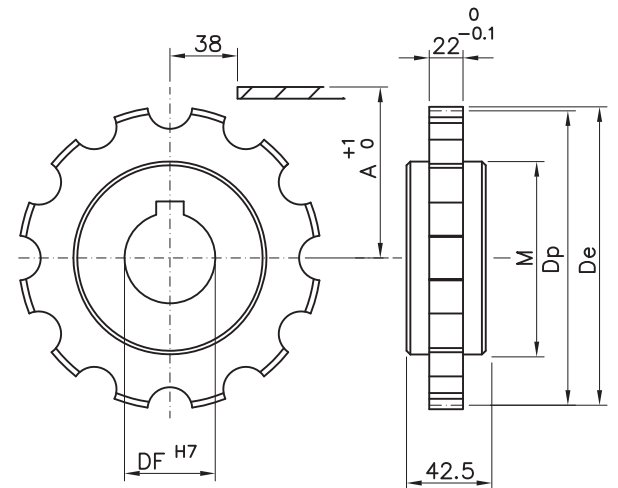


Standard sprockets

material: polyamide

UNI 6604-69 key seat

CODE	Z	De	Dp	A	B	M	Df
S01909 30	09	112.0	111.4	60.5	92.1	60.0	30
S01909 35							35
S01909 40							40
S01910 30	10	125.0	123.2	66.4	104.0	75.0	30
S01910 35							35
S01910 40							40
S01911 30	11	137.0	135.2	72.4	116.0	85.0	30
S01911 35							35
S01911 40							40
S01912 30	12	149.0	147.2	78.4	127.9	90.0	30
S01912 35							35
S01912 40							40



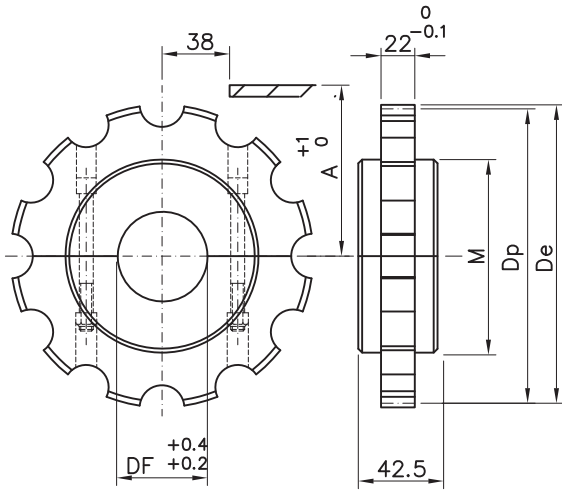
# MACHINED IDLER WHEELS

882/882TAB/882M/8257/LBP8257/LBP882M/LBP882TAB Series



Split idler wheels

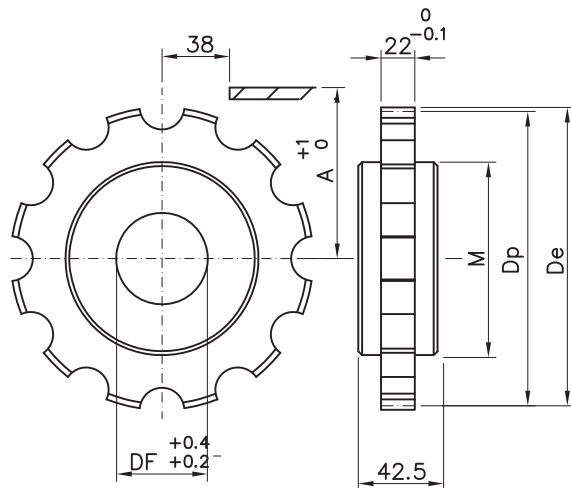
material: polyamide - screws in stainless steel



CODE	Z	De	Dp	A	B	M	Df
R11909 30	09	112.0	111.4	60.5	92.1	60.0	30
R11909 35							35
R11909 40							40
R11910 30	10	125.0	123.2	66.4	104.0	75.0	30
R11910 35							35
R11910 40							40
R11911 30	11	137.0	135.2	72.4	116.0	85.0	30
R11911 35							35
R11911 40							40
R11912 30	12	149.0	147.2	78.4	127.9	90.0	30
R11912 35							35
R11912 40							40

Standard idler wheels

material: polyamide



CODE	Z	De	Dp	A	B	M	Df
R01909 30	09	112.0	111.4	60.5	92.1	60.0	30
R01909 35							35
R01909 40							40
R01910 30	10	125.0	123.2	66.4	104.0	75.0	30
R01910 35							35
R01910 40							40
R01911 30	11	137.0	135.2	72.4	116.0	85.0	30
R01911 35							35
R01911 40							40
R01912 30	12	149.0	147.2	78.4	127.9	90.0	30
R01912 35							35
R01912 40							40

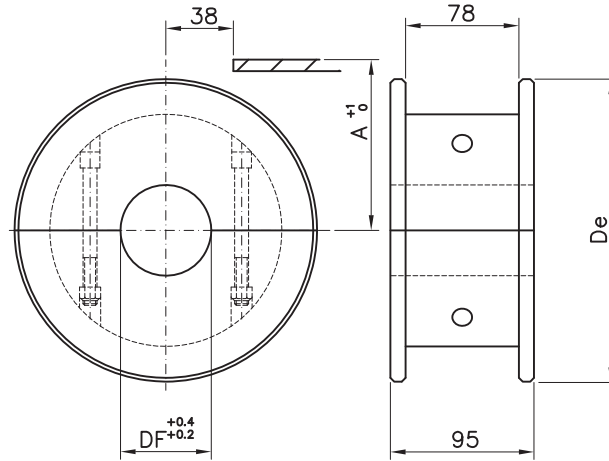


**MACHINED IDLER WHEELS**  
**882TAB/LBP882TAB Series**

Split idler wheels

material: polyamide - screws in stainless steel

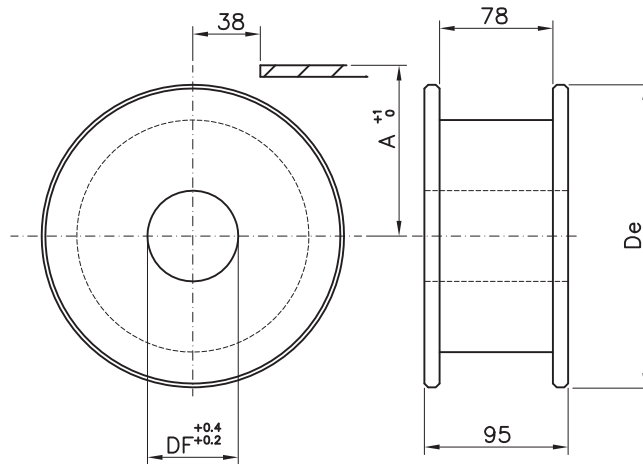
CODE	Z eq.	De	A	Df
B11909 20	09	117.0	63.8	20
B11909 25				25
B11909 30				30
B11909 35				35
B11909 40				40
B11910 20	10	129.8	69.5	20
B11910 25				25
B11910 30				30
B11910 35				35
B11910 40				40
B11911 20	11	142.2	75.9	20
B11911 25				25
B11911 30				30
B11911 35				35
B11911 40				40
B11912 20	12	154.7	82.1	20
B11912 25				25
B11912 30				30
B11912 35				35
B11912 40				40



Standard idler wheels

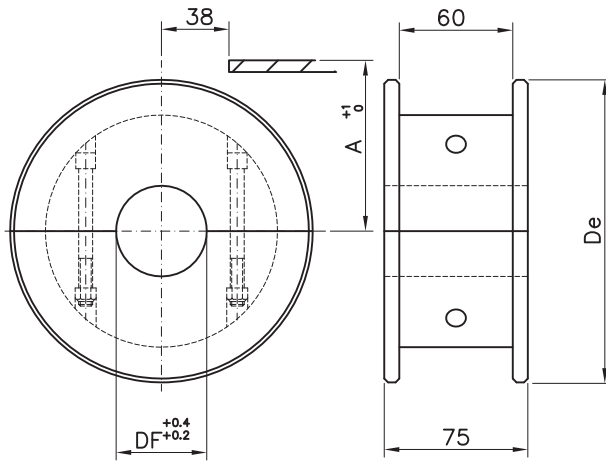
material: polyamide

CODE	Z eq.	De	A	Df
B01909 20	09	117.0	63.8	20
B01909 25				25
B01909 30				30
B01909 35				35
B01909 40				40
B01910 20	10	129.8	69.5	20
B01910 25				25
B01910 30				30
B01910 35				35
B01910 40				40
B01911 20	11	142.2	75.9	20
B01911 25				25
B01911 30				30
B01911 35				35
B01911 40				40
B01912 20	12	154.7	82.1	20
B01912 25				25
B01912 30				30
B01912 35				35
B01912 40				40



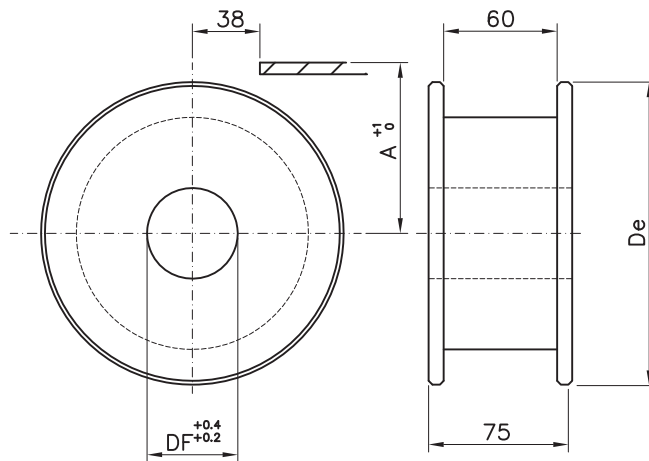


Split idler wheels  
material: polyamide - screws in stainless steel



P11429 20	29	179.3	92.8	20
P11429 25				25
P11429 30				30
P11429 35				35
P11429 40				40

CODE	Z eq.	De	A	Df
P11417 20	17	104.0	56.2	20
P11417 25				25
P11417 30				30
P11417 35				35
P11417 40				40
P11419 20	19	117.0	62.6	20
P11419 25				25
P11419 30				30
P11419 35				35
P11419 40				40
P11421 20	21	129.8	68.6	20
P11421 25				25
P11421 30				30
P11421 35				35
P11421 40				40
P11423 20	23	142.2	74.6	20
P11423 25				25
P11423 30				30
P11423 35				35
P11423 40				40
P11425 20	25	154.7	80.5	20
P11425 25				25
P11425 30				30
P11425 35				35
P11425 40				40
P11427 20	27	167.2	86.5	20
P11427 25				25
P11427 30				30
P11427 35				35
P11427 40				40



P01429 20	29	179.3	92.8	20
P01429 25				25
P01429 30				30
P01429 35				35
P01429 40				40

Standard idler wheels  
material: polyamide

CODE	Z eq.	De	A	Df
P01417 20	17	104.0	56.2	20
P01417 25				25
P01417 30				30
P01417 35				35
P01417 40				40
P01419 20	19	117.0	62.6	20
P01419 25				25
P01419 30				30
P01419 35				35
P01419 40				40
P01421 20	21	129.8	68.6	20
P01421 25				25
P01421 30				30
P01421 35				35
P01421 40				40
P01423 20	23	142.2	74.6	20
P01423 25				25
P01423 30				30
P01423 35				35
P01423 40				40
P01425 20	25	154.7	80.5	20
P01425 25				25
P01425 30				30
P01425 35				35
P01425 40				40
P01427 20	27	167.2	86.5	20
P01427 25				25
P01427 30				30
P01427 35				35
P01427 40				40

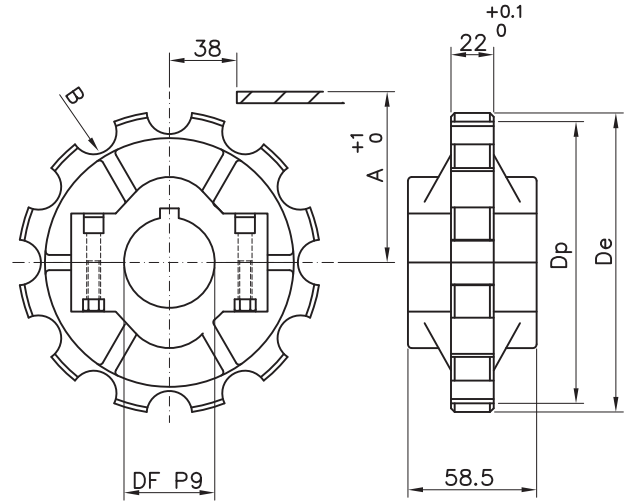


**INJECTED SPROCKETS AND IDLER WHEELS**  
**882/882TAB/882M/8257/LBP8257 Series**

**Split sprockets**

material: reinforced polyamide - screws in stainless steel, nuts in nickel plated brass / UNI 6604-69 key seat

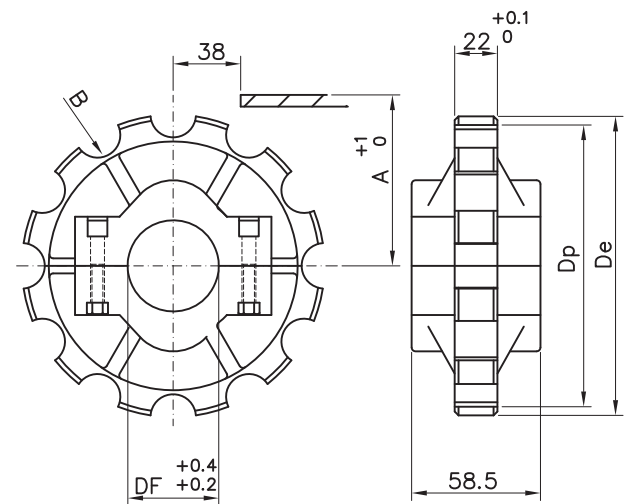
CODE	Z	De	Dp	A	B	Df
S10910 25	10	125.0	123.3	104.0	65.4	25
S10910 30						30
S10910 35						35
S10910 40						40
S10912 25	12	149.2	147.2	128.0	78.4	25
S10912 30						30
S10912 35						35
S10912 40						40



**Split idler wheels**

material: polyamide - screws in stainless steel, nuts in nickel plated brass

CODE	Z	De	Dp	A	B	Df
R10910 25	10	125.0	123.3	104.0	65.4	25
R10910 30						30
R10910 35						35
R10910 40						40
R10912 25	12	149.2	147.2	128.0	78.4	25
R10912 30						30
R10912 35						35
R10912 40						40

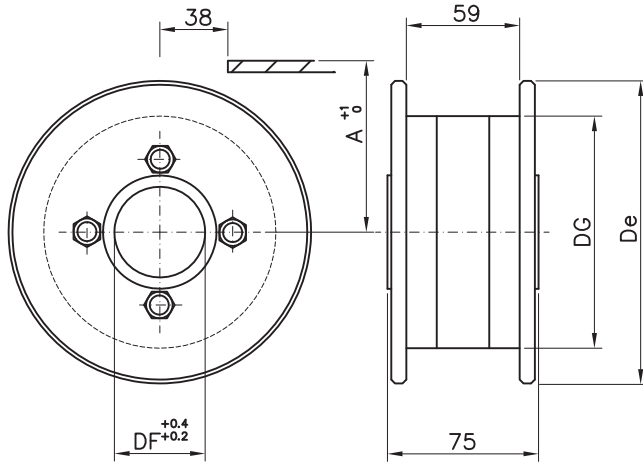




**INJECTED IDLER WHEELS**  
**882M/8257/LBP8257/LBP882M Series**



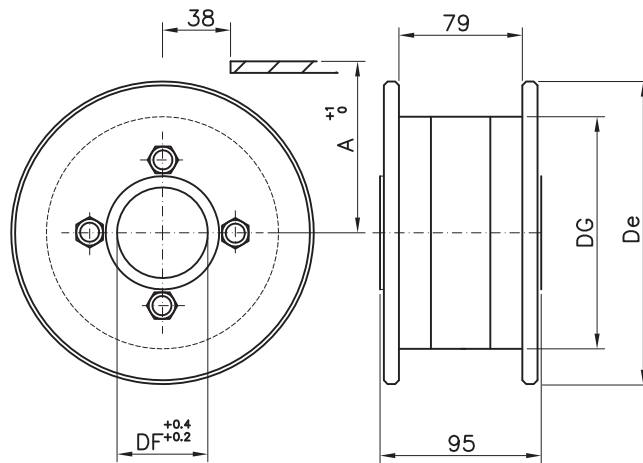
Standard idler wheels  
 material: self lubricating polyamide -  
 screws in zinc plated steel



CODE	Z eq.	De	Dg	A	Df
K00419 25	19	118.0	80.0	62.6	25
K00419 30					30
K00419 35					35
K00419 40					40
K00421 25	21	129.8	80.0	68.6	25
K00421 30					30
K00421 35					35
K00421 40					40
K00423 25	23	142.5	108.0	74.6	25
K00423 30					30
K00423 35					35
K00423 40					40
K00425 25	25	155.0	108.0	80.5	25
K00425 30					30
K00425 35					35
K00425 40					40

**INJECTED IDLER WHEELS**  
**882TAB/LBP882TAB Series**

Standard idler wheels  
 material: self lubricating polyamide  
 screws in zinc plated steel



CODE	Z eq.	De	Dg	A	Df
T00910 25	10	129.8	80.0	68.6	25
T00910 30					30
T00910 35					35
T00910 40					40
T00912 25	12	155.0	108.0	80.5	25
T00912 30					30
T00912 35					35
T00912 40					40

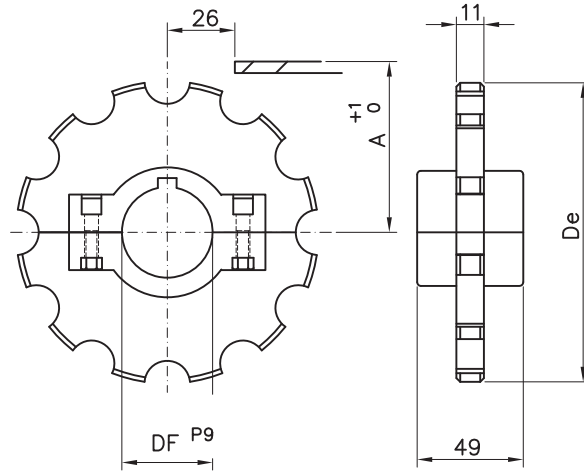


**INJECTED SPROCKETS AND IDLER WHEELS**  
**780M/780MFG/780TAB/780FGTAB/790TAB Series**

Split sprockets

material: reinforced polyamide - screws in stainless steel  
 UNI 6604-69 key seat

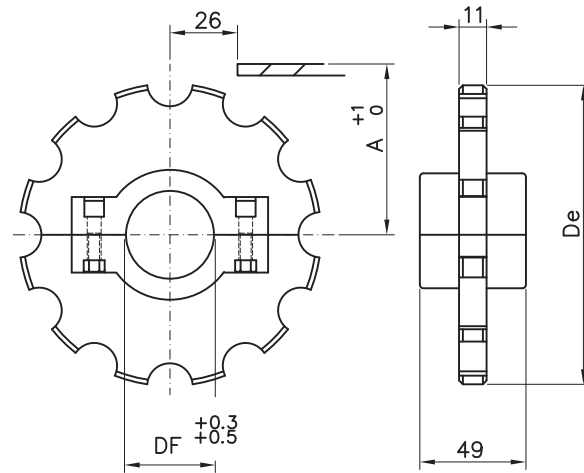
CODE	Z	De	Dp	A	Df
S10A16 30	16	130.9	128.9	67.8	30
S10A16 35					35
S10A16 40					40
S10A16 45					45
S10A18 30	18	146.8	144.8	75.7	30
S10A18 35					35
S10A18 40					40
S10A18 45					45
S10A19 30	19	156.3	154.3	80.5	30
S10A19 35					35
S10A19 40					40
S10A19 45					45



Split idler wheels

material: polyamide - screws in stainless steel

CODE	Z	De	Dp	A	Df
R10A16 30	16	130.9	128.9	67.8	30
R10A16 35					35
R10A16 40					40
R10A16 45					45
R10A18 30	18	146.8	144.8	75.7	30
R10A18 35					35
R10A18 40					40
R10A18 45					45
R10A19 30	19	156.3	154.3	80.5	30
R10A19 35					35
R10A19 40					40
R10A19 45					45



**MACHINED SPROCKETS**

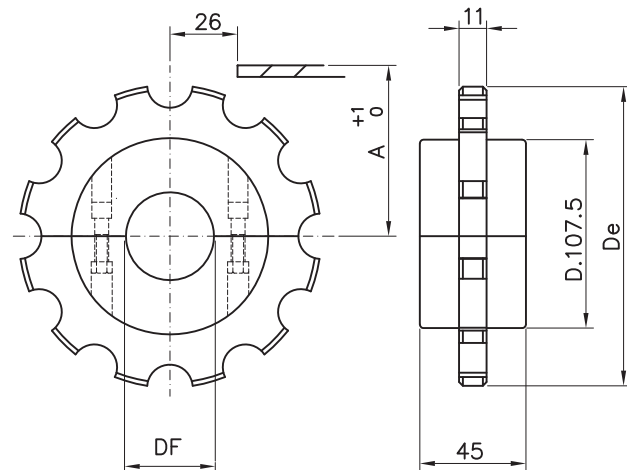
**780M/780MFG/780TAB/780FGTAB/790TAB Series**

Split sprockets

material: polyamide PA white - screws in stainless steel

CODE	Z	De	Dp	A
S11A16 ...	16	130.9	128.9	67.8
S11A18 ...	18	146.8	144.8	75.7
S11A19 ...	19	156.3	154.3	80.5

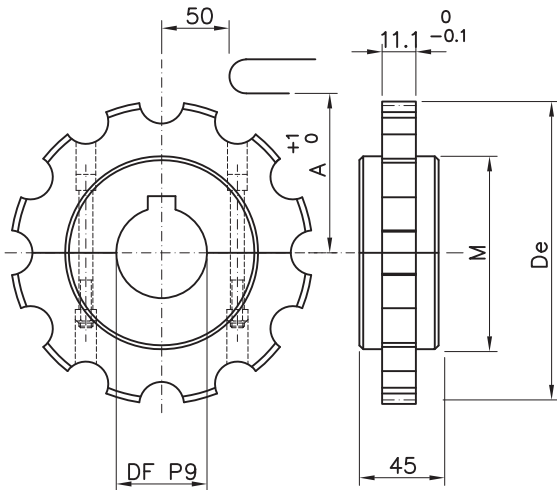
Df	25/30/35/40/45/50
----	-------------------





Split sprockets

material: polyamide - screws in stainless steel  
UNI 6604-69 key seat

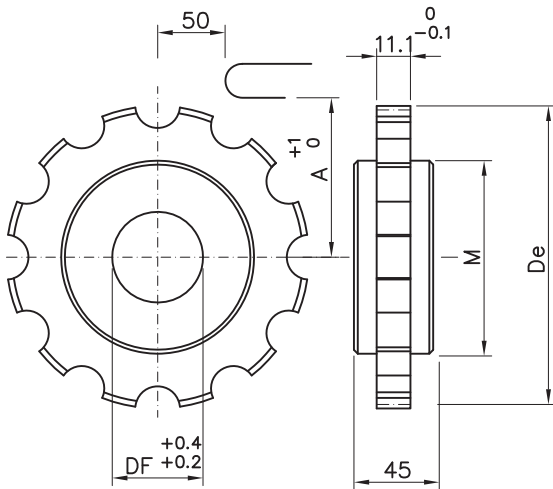


CODE	Z	De	Dp	A	M	Df
S11M08 19	08	132.8	130.65	53.3	79.0	19*
S11M08 25						25
S11M08 30						30
S11M08 35						35
S11M08 40						40
S11M10 19	10	165.1	161.8	68.9	110.0	19*
S11M10 25						25
S11M10 30						30
S11M10 35						35
S11M10 40						40
S11M13 19	13	215.2	208.95	92.5	158.0	19*
S11M13 25						25
S11M13 30						30
S11M13 35						35
S11M13 40						40

\* plain bore

Standard idler wheels

material: polyamide



CODE	Z	De	Dp	A	M	Df
R01M08 19	08	132.8	130.65	53.3	79.0	19*
R01M08 25						25
R01M08 30						30
R01M08 35						35
R01M08 40						40
R01M10 19	10	165.1	161.8	68.9	110.0	19*
R01M10 25						25
R01M10 30						30
R01M10 35						35
R01M10 40						40
R01M13 19	13	215.2	208.95	92.5	158.0	19*
R01M13 25						25
R01M13 30						30
R01M13 35						35
R01M13 40						40

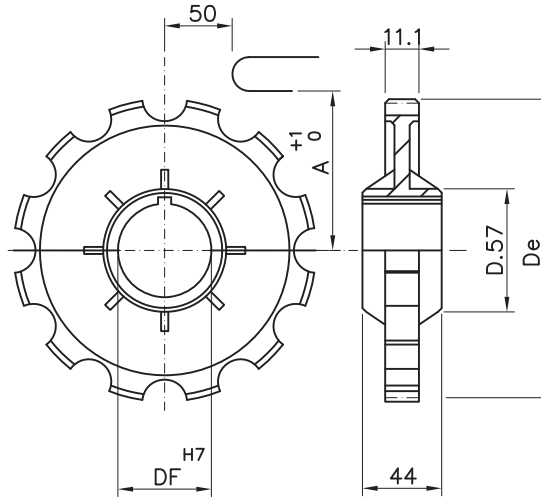
\* plain bore



**INJECTED SPROCKETS AND IDLER WHEELS**  
**1700/1701/1702 Series**

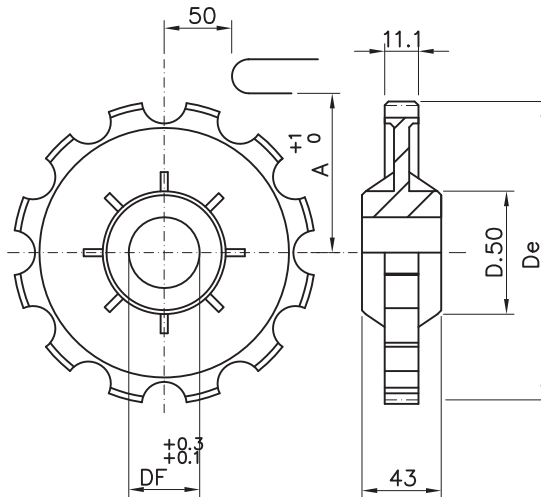
Standard sprockets  
 material: polyamide PA white, brass HUB  
 UNI 6604-69 key seat

CODE	Z	De	Dp	Df
S00M10 24	10	165.1	161.8	24
S00M10 25				25
S00M10 30				30



Standard idler wheels  
 material: polyamide PA white

CODE	Z	De	Dp	Df
R00M10 25	10	165.1	161.8	25

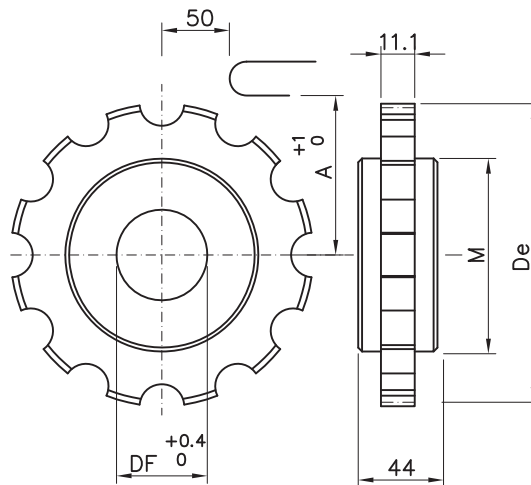


**MACHINED SPROCKETS AND IDLER WHEELS**  
**1700/1701/1702 Series**

Standard sprockets  
 material: zinc plated steel (Z), stainless steel (X)

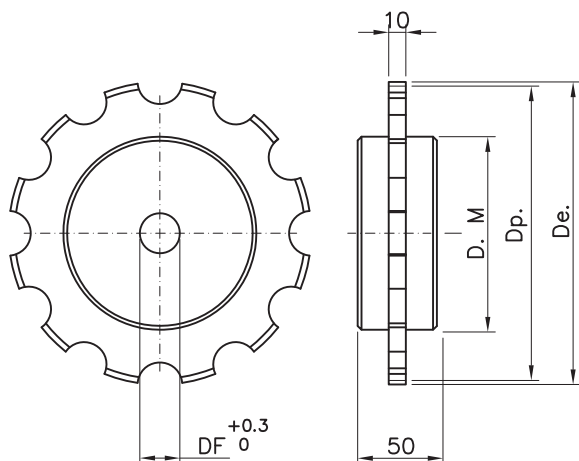
CODE	Z	De	Dp	A	Df
S01Z10 20*	10	165.1	161.8	69.0	20
S01X10 20*	10	165.1	161.8	60.0	20
S01Z12 20*	12	196.1	193.19	69.0	20

\* available upon request and minimum order quantity





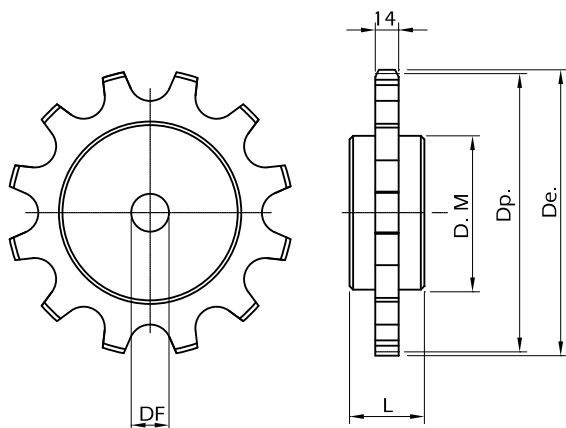
Standard sprockets and idler wheels  
material: polyamide



CODE	Z	De	Dp	M	Df
S01C06 20	06	128.0	127.0	74.0	20
S01C08 20	08	177.7	165.93	119.0	20
S01C10 20	10	219.3	205.49	161.0	20
S01C12 20*	12	256.0	246.0	96.0	20
S01C14 20*	14	297.0	286.0	96.0	20

\* available upon request and minimum order quantity

Standard sprockets and idler wheels  
material: cast iron



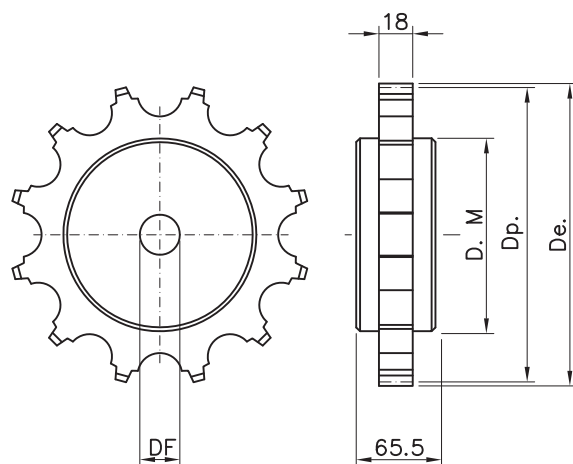
CODE	Z	De	Dp	M	L	Df
S01G08 19*	08	175.3	167.4	75.0	50.0	19**
S01G10 19*	10	216.0	207.3	100.0	50.0	19**
S01G12 19*	12	254.0	247.4	100.0	63.5	19**
S01G14 19*	14	294.6	287.8	100.0	63.5	19**

\* available upon request and minimum order quantity

\*\* plain bore

**MACHINED SPROCKETS AND IDLER WHEELS**  
**1400 Series**

Standard sprockets and idler wheels  
material: cast iron / polyamide\*



CODE	Z	De	Dp	M	Df
S01D10 19*	10	298.0	267.2	105.0	19**

\* available upon request and minimum order

\*\* plain bore

CODE S01D... polyamide

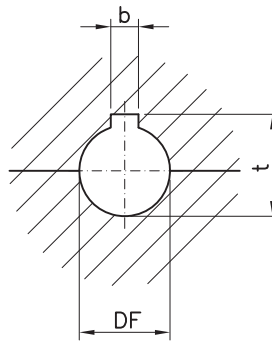
CODE S01F... cast iron



# KEY SEAT TOLERANCES AND DIMENSIONS UNI 6604-69/ISO773/DIN6885

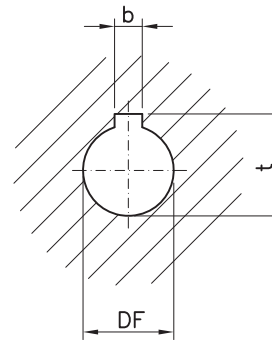
## Split sprockets

DF mm		b mm		t mm	
Dim	Tol	Dim	Tol	Dim	Tol
20	P9	6	P9	22.8	+ 0.1
	- 0.022		- 0.012		0
	- 0.074		- 0.042		
25	P9	8	P9	28.3	+ 0.2
	- 0.022		- 0.015		0
	- 0.074		- 0.051		
30	P9	8	P9	33.3	+ 0.2
	- 0.022		- 0.015		0
	- 0.074		- 0.051		
35	P9	10	P9	38.3	+ 0.2
	- 0.026		- 0.015		0
	- 0.088		- 0.051		
40	P9	12	P9	43.3	+ 0.2
	- 0.026		- 0.018		0
	- 0.088		- 0.061		
45	P9	14	P9	48.8	+ 0.2
	- 0.026		- 0.018		0
	- 0.088		- 0.061		
50	P9	14	P9	53.8	+ 0.2
	- 0.026		- 0.018		0
	- 0.088		- 0.061		



## Standard sprockets

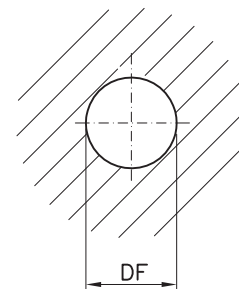
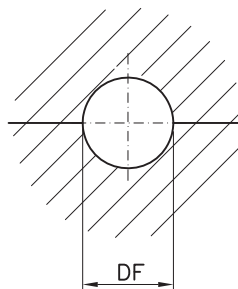
DF mm		b mm		t mm	
Dim	Tol	Dim	Tol	Dim	Tol
20	H7	6	D10	22.8	+ 0.1
	+0.021		- 0.078		0
	0		- 0.030		
25	H7	8	D10	28.3	+ 0.2
	+0.021		- 0.098		0
	0		- 0.040		
30	H7	8	D10	33.3	+ 0.2
	+0.021		- 0.098		0
	0		- 0.040		
35	H7	10	D10	38.3	+ 0.2
	+0.025		- 0.098		0
	0		- 0.040		
40	H7	12	D10	43.3	+ 0.2
	+0.025		- 0.120		0
	0		- 0.050		
45	H7	14	D10	48.8	+ 0.2
	+0.025		- 0.120		0
	0		- 0.050		
50	H7	14	D10	53.8	+ 0.2
	+0.025		- 0.120		0
	0		- 0.050		



## Standard and split idler wheels

DF mm	
Dim	Tol
20	+ 0.4
	+ 0.2
25	+ 0.4
	+ 0.2
30	+ 0.4
	+ 0.2
35	+ 0.4
	+ 0.2

40	+ 0.4
	+ 0.2
45	+ 0.4
	+ 0.2
50	+ 0.4
	+ 0.2



**SIDEFLEXING GUIDES FOR TAB AND BEVEL TYPE CHAINS**





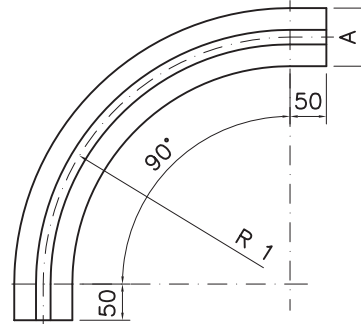
**SIDEFLEXING GUIDES FOR TAB TYPE CHAINS**  
**780/790/878/879/880/881/8811 Series**

Sideflexing guides for chains  
 82.5 K325 - 83.8 K330 P=85

TRACKS	A mm	R1=500	R1=610	R1=650	R1=800	R1=1000
1	100	CT182111	CT182121	CT182131	CT182141	CT182151
2	185	CT182211	CT182221	CT182231	CT182241	CT182251
3	270	CT182311	CT182321	CT182331	CT182341	CT182351
4	355	CT182411	CT182421	CT182431	CT182441	CT182451
5	440	CT182511	CT182521	CT182531	CT182541	CT182551
6	525	CT182611	CT182621	CT182631	CT182641	CT182651

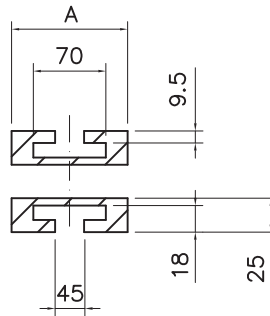
Sideflexing guides for chains  
 82.5 K325 - 83.8 K330 P=88

TRACKS	A mm	R1=500	R1=610	R1=650	R1=800	R1=1000
1	100	CT182111	CT182121	CT182131	CT182141	CT182151
2	188	CT182212	CT182222	CT182232	CT182242	CT182252
3	276	CT182312	CT182322	CT182332	CT182342	CT182352
4	364	CT182412	CT182422	CT182432	CT182442	CT182452
5	452	CT182512	CT182522	CT182532	CT182542	CT182552
6	540	CT182612	CT182622	CT182632	CT182642	CT182652



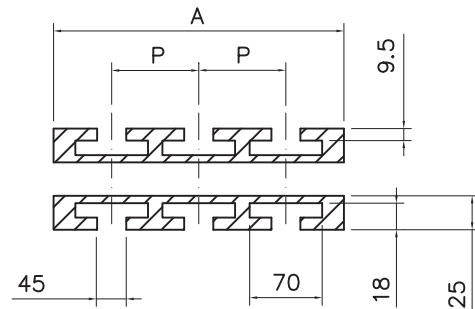
Sideflexing guides for chains  
 82.5 K325 - 83.8 K330 P=90

TRACKS	A mm	R1=500	R1=610	R1=650	R1=800	R1=1000
1	100	CT182111	CT182121	CT182131	CT182141	CT182151
2	190	CT182213	CT182223	CT182233	CT182243	CT182253
3	280	CT182313	CT182323	CT182333	CT182343	CT182353
4	370	CT182413	CT182423	CT182433	CT182443	CT182453
5	460	CT182513	CT182523	CT182533	CT182543	CT182553
6	550	CT182613	CT182623	CT182633	CT182643	CT182653



Sideflexing guides for chain  
 88.9 K350 P=90

TRACKS	A mm	R1=500	R1=610	R1=650	R1=800	R1=1000
1	100	CT188113	CT188123	CT188133	CT188143	CT188153
2	190	CT188213	CT188223	CT188233	CT188243	CT188253
3	280	CT188313	CT188323	CT188333	CT188343	CT188353
4	370	CT188413	CT188423	CT188433	CT188443	CT188453
5	460	CT188513	CT188523	CT188533	CT188543	CT188553
6	550	CT188613	CT188623	CT188633	CT188643	CT188653



Sideflexing guides for chain  
 114.3 K450 P=120

TRACKS	A mm	R1=610	R1=650	R1=800	R1=1000
1	130	CT111124	CT111134	CT111144	CT111154
2	250	CT111224	CT111234	CT111244	CT111254
3	370	CT111324	CT111334	CT111344	CT111354
4	490	CT111424	CT111434	CT111444	CT111454
5	610	CT111524	CT111534	CT111544	CT111554
6	730	CT111624	CT111634	CT111644	CT111654

Sideflexing guides for chain  
 190.5 K750 P=195

TRACKS	A mm	R1=610	R1=650	R1=800	R1=1000
1	200	CT119126	CT119136	CT119146	CT119156
2	395	CT119226	CT119236	CT119246	CT119256
3	590	CT119326	CT119336	CT119346	CT119356
4	785	CT119426	CT119436	CT119446	CT119456

ALWAYS CHECK THE A DIMENSION



**SIDEFLEXING GUIDES FOR TAB TYPE CHAINS**  
**780/790/878/879/880/881/8811 Series**



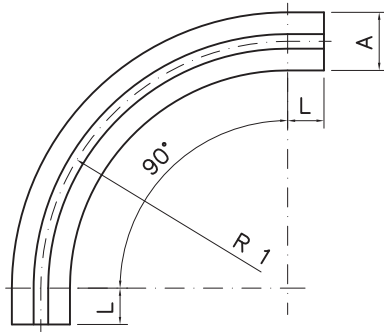
Sideflexing guides for chains 82.5 K325 - 83.8 K330  
 Without the L section - pitch = 90mm

TRACKS	A mm	B	h	L	R1=500
1	100	70	9.5	-	DT182113
2	190	70	9.5	-	DT182213
3	280	70	9.5	-	DT182313
4	370	70	9.5	-	DT182413
5	460	70	9.5	-	DT182513
6	550	70	9.5	-	DT182613

Sideflexing guides for chains 82.5 K325 - 83.8 K330  
 With the L section - pitch P on request

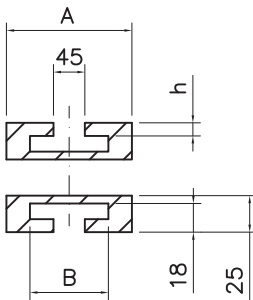
TRACKS	A mm	B	h	L	R1=500
1	100	67	10.5	50	WT18211
2	A1	67	10.5	50	WT18221*
3	A1	67	10.5	50	WT18231*
4	A1	67	10.5	50	WT18241*
5	A1	67	10.5	50	WT18251*
6	A1	67	10.5	50	WT18261*

\* specify pitch P



Sideflexing guides for chain 114.3 K450  
 Without the L section - pitch = 120mm

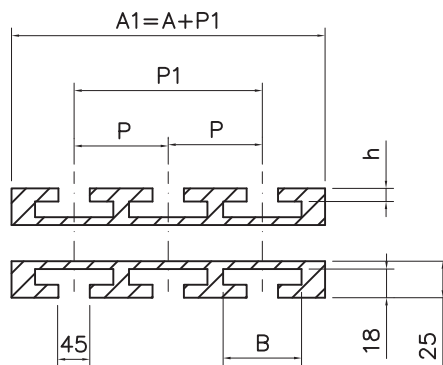
TRACKS	A mm	B	h	L	R1=610
1	125	70	9.5	-	DT111124
2	245	70	9.5	-	DT111224
3	365	70	9.5	-	DT111324
4	485	70	9.5	-	DT111424
5	605	70	9.5	-	DT111524
6	725	70	9.5	-	DT111624



Sideflexing guides for chain 114.3 K450  
 With the L section - pitch P on request

TRACKS	A mm	B	h	L	R1=610
1	130	67	10.5	50	WT11112
2	A1	67	10.5	50	WT11122*
3	A1	67	10.5	50	WT11132*
4	A1	67	10.5	50	WT11142*
5	A1	67	10.5	50	WT11152*
6	A1	67	10.5	50	WT11162*

\* specify pitch P



Sideflexing guides for chain 190.5 K750  
 Without the L section - pitch = 195mm

TRACKS	A mm	B	h	L	R1=610
1	200	70	9.5	-	DT119126
2	395	70	9.5	-	DT119226
3	590	70	9.5	-	DT119326
4	785	70	9.5	-	DT119426

Sideflexing guides for chain 190.5 K750  
 With the L section - pitch P on request

TRACKS	A mm	B	h	L	R1=610
1	210	67	10.5	50	WT11912
2	A1	67	10.5	50	WT11922*
3	A1	67	10.5	50	WT11932*
4	A1	67	10.5	50	WT11942*

\* specify pitch P

ALWAYS CHECK THE A DIMENSION



# SIDEFLEXING GUIDES FOR BEVEL 8° TYPE CHAINS

## 878/879/880/881/8811 Series

Sideflexing guides for chain  
82.5 K325 P=85

TRACKS	A mm	R1=500	R1=610	R1=650	R1=800	R1=1000
1	100	CB182111	CB182121	CB182131	CB182141	CB182151
2	185	CB182211	CB182221	CB182231	CB182241	CB182251
3	270	CB182311	CB182321	CB182331	CB182341	CB182351
4	355	CB182411	CB182421	CB182431	CB182441	CB182451
5	440	CB182511	CB182521	CB182531	CB182541	CB182551
6	525	CB182611	CB182621	CB182631	CB182641	CB182651

Sideflexing guides for chain  
82.5 K325 P=88

TRACKS	A mm	R1=500	R1=610	R1=650	R1=800	R1=1000
1	100	CB182111	CB182121	CB182131	CB182141	CB182151
2	188	CB182212	CB182222	CB182232	CB182242	CB182252
3	276	CB182312	CB182322	CB182332	CB182342	CB182352
4	364	CB182412	CB182422	CB182432	CB182442	CB182452
5	452	CB182512	CB182522	CB182532	CB182542	CB182552
6	540	CB182612	CB182622	CB182632	CB182642	CB182652

Sideflexing guides for chain  
82.5 K325 P=90

TRACKS	A mm	R1=500	R1=610	R1=650	R1=800	R1=1000
1	100	CB182111	CB182121	CB182131	CB182141	CB182151
2	190	CB182213	CB182223	CB182233	CB182243	CB182253
3	280	CB182313	CB182323	CB182333	CB182343	CB182353
4	370	CB182413	CB182423	CB182433	CB182443	CB182453
5	460	CB182513	CB182523	CB182533	CB182543	CB182553
6	550	CB182613	CB182623	CB182633	CB182643	CB182653

Sideflexing guides for chain  
88.9 K350 P=90

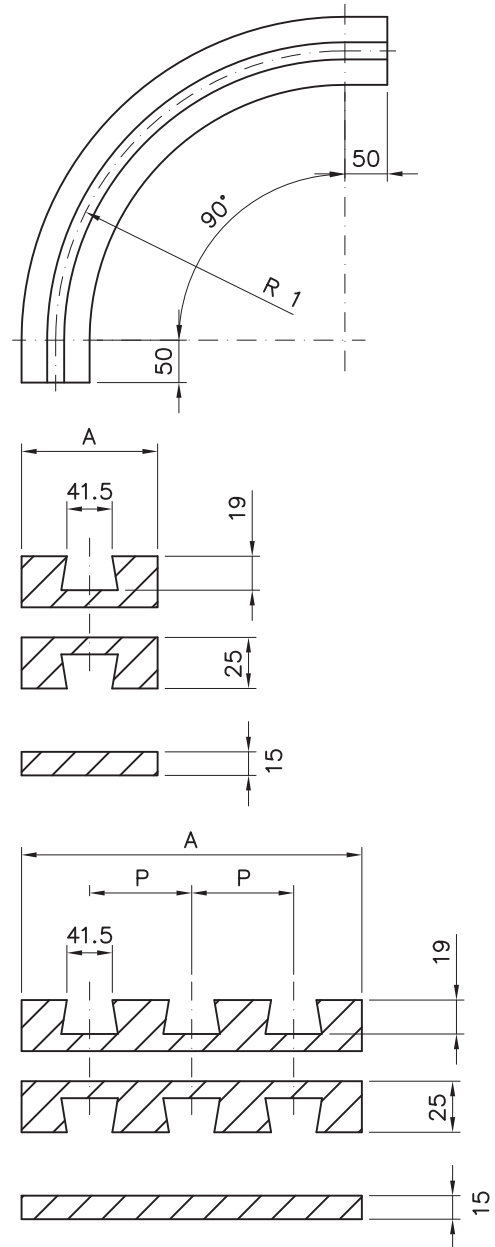
TRACKS	A mm	R1=500	R1=610	R1=650	R1=800	R1=1000
1	100	CB188113	CB188123	CB188133	CB188143	CB188153
2	190	CB188213	CB188223	CB188233	CB188243	CB188253
3	280	CB188313	CB188323	CB188333	CB188343	CB188353
4	370	CB188413	CB188423	CB188433	CB188443	CB188453
5	460	CB188513	CB188523	CB188533	CB188543	CB188553
6	550	CB188613	CB188623	CB188633	CB188643	CB188653

Sideflexing guides for chain  
114.3 K450 P=120

TRACKS	A mm	R1=610	R1=650	R1=800	R1=1000
1	130	CB111124	CB111134	CB111144	CB111154
2	250	CB111224	CB111234	CB111244	CB111254
3	370	CB111324	CB111334	CB111344	CB111354
4	490	CB111424	CB111434	CB111444	CB111454
5	610	CB111524	CB111534	CB111544	CB111554
6	730	CB111624	CB111634	CB111644	CB111654

Sideflexing guides for chain  
190.5 K750 P=195

TRACKS	A mm	R1=610	R1=650	R1=800	R1=1000
1	200	CB119126	CB119136	CB119146	CB119156
2	395	CB119226	CB119236	CB119246	CB119256
3	590	CB119326	CB119336	CB119346	CB119356
4	785	CB119426	CB119436	CB119446	CB119456



ALWAYS CHECK THE A DIMENSION

**SIDEFLEXING GUIDES FOR BEVEL 8° TYPE CHAINS**  
**878/879/880/881/8811 Series**



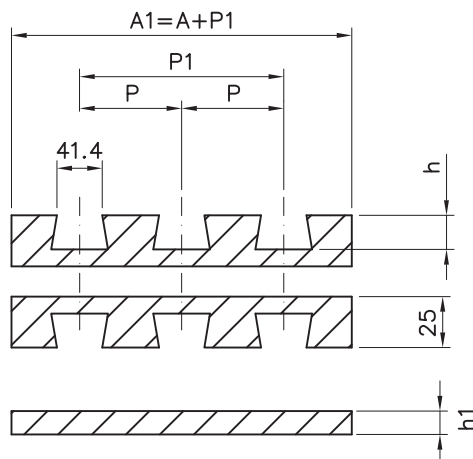
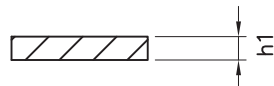
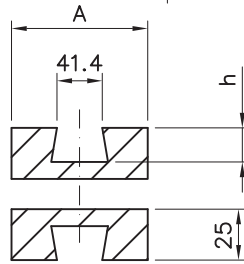
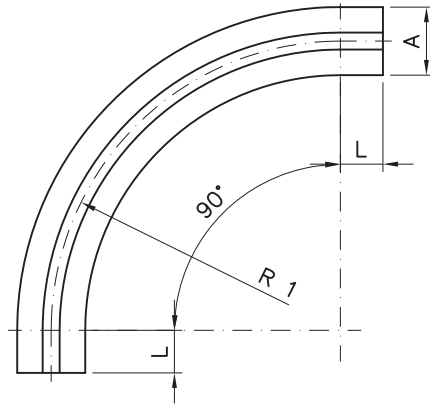
Sideflexing guides for chain 82.5 K325  
 Without the L section - pitch = 90mm

TRACKS	A mm	h	h1	L	R1=500
1	100	18	16	-	DB182113
2	190	18	16	-	DB182213
3	280	18	16	-	DB182313
4	370	18	16	-	DB182413
5	460	18	16	-	DB182513
6	550	18	16	-	DB182613

Sideflexing guides for chain 82.5 K325  
 With the L section - pitch P on request

TRACKS	A mm	h	h1	L	R1=500
1	100	17	15	50	WB18211
2	A1	17	15	50	WB18221*
3	A1	17	15	50	WB18231*
4	A1	17	15	50	WB18241*
5	A1	17	15	50	WB18251*
6	A1	17	15	50	WB18261*

\* specify pitch P



Sideflexing guides for chain 114.3 K450  
 Without the L section - pitch = 120mm

TRACKS	A mm	h	h1	L	R1=610
1	125	18	16	-	DB111124
2	245	18	16	-	DB111224
3	365	18	16	-	DB111324
4	485	18	16	-	DB111424
5	605	18	16	-	DB111524
6	725	18	16	-	DB111624

Sideflexing guides for chain 114.3 K450  
 With the L section - pitch P on request

TRACKS	A mm	h	h1	L	R1=610
1	130	17	15	50	WB11112
2	A1	17	15	50	WB11122*
3	A1	17	15	50	WB11132*
4	A1	17	15	50	WB11142*
5	A1	17	15	50	WB11152*
6	A1	17	15	50	WB11162*

\* specify pitch P

Sideflexing guides for chain 190.5 K750  
 Without the L section - pitch = 195mm

TRACKS	A mm	h	h1	L	R1=610
1	200	18	16	-	DB119126
2	395	18	16	-	DB119226
3	590	18	16	-	DB119326
4	785	18	16	-	DB119426

Sideflexing guides for chain 190.5 K750  
 With the L section - pitch P on request

TRACKS	A mm	h	h1	L	R1=610
1	210	17	15	50	WB11912
2	A1	17	15	50	WB11922*
3	A1	17	15	50	WB11932*
4	A1	17	15	50	WB11942*

\* specify pitch P

ALWAYS CHECK THE A DIMENSION



# SIDEFLEXING GUIDES FOR TAB TYPE CHAINS

## 882TAB/LBP882TAB Series

Sideflexing guides for chain  
114.3 K450 P=120

TRACKS	A mm	R1=610	R1=650	R1=800	R1=1000
1	130	CT211124	CT211134	CT211144	CT211154
2	250	CT211224	CT211234	CT211244	CT211254
3	370	CT211324	CT211334	CT211344	CT211354
4	490	CT211424	CT211434	CT211444	CT211454
5	610	CT211524	CT211534	CT211544	CT211554
6	730	CT211624	CT211634	CT211644	CT211654

Sideflexing guides for chain  
190.5 K750 P=195

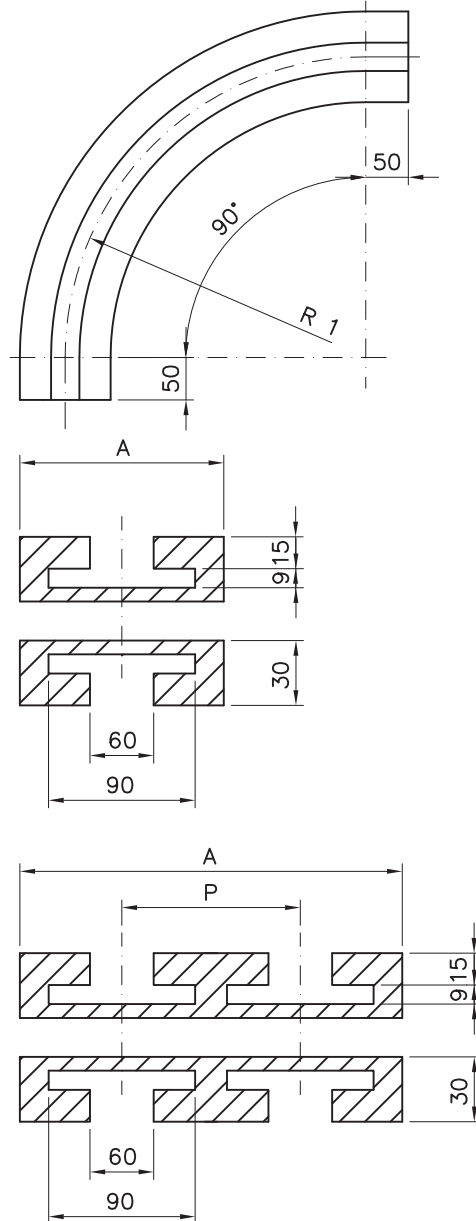
TRACKS	A mm	R1=610	R1=650	R1=800	R1=1000
1	200	CT219126	CT219136	CT219146	CT219156
2	395	CT219226	CT219236	CT219246	CT219256
3	590	CT219326	CT219336	CT219346	CT219356
4	785	CT219426	CT219436	CT219446	CT219456

Sideflexing guides for chain  
254.0 K1000 P=260

TRACKS	A mm	R1=610	R1=650	R1=800	R1=1000
1	270	CT225127	CT225137	CT225147	CT225157
2	530	CT225227	CT225237	CT225247	CT225257
3	790	CT225327	CT225337	CT225347	CT225357
4	1050	CT225427	CT225437	CT225447	CT225457

Sideflexing guides for chain  
304.8 K1200 P=310

TRACKS	A mm	R1=610	R1=650	R1=800	R1=1000
1	320	CT230128	CT230138	CT230148	CT230158
2	630	CT230228	CT230238	CT230248	CT230258
3	940	CT230328	CT230338	CT230348	CT230358
4	1250	CT230428	CT230438	CT230448	CT230458



ALWAYS CHECK THE A DIMENSION



Sideflexing guides for chain  
 BEVEL 8° 114.3 K450 P=120

TRACKS	A mm	R1=610
1	125	DB211124
2	245	DB211224
3	365	DB211324
4	485	DB211424

Sideflexing guides for chain  
 TAB 114.3 K450

TRACKS	A mm	R1=610
1	130	DT21112
2	A1	DT21122*
3	A1	DT21132*
4	A1	DT21142*

\* specify pitch P

Sideflexing guides for chain  
 BEVEL 8° 190.5 K750 P=195

TRACKS	A mm	R1=610
1	200	DB219126
2	395	DB219226
3	590	DB219326
4	785	DB219426

Sideflexing guides for chain  
 TAB 190.5 K750

TRACKS	A mm	R1=610
1	210	DT21912
2	A1	DT21922*
3	A1	DT21932*
4	A1	DT21942*

\* specify pitch P

Sideflexing guides for chain  
 BEVEL 8° 254.0 K1000 P=260

TRACKS	A mm	R1=610
1	265	DB225127
2	525	DB225227
3	785	DB225327

Sideflexing guides for chain  
 TAB 254.0 K1000

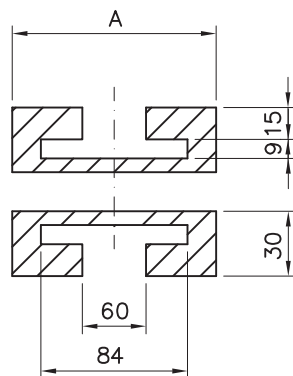
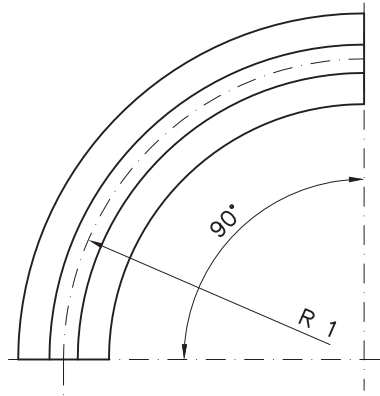
TRACKS	A mm	R1=610
1	270	DT22512
2	A1	DT22522*
3	A1	DT22532*
4	A1	DT22542*

\* specify pitch P

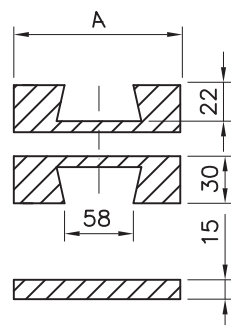
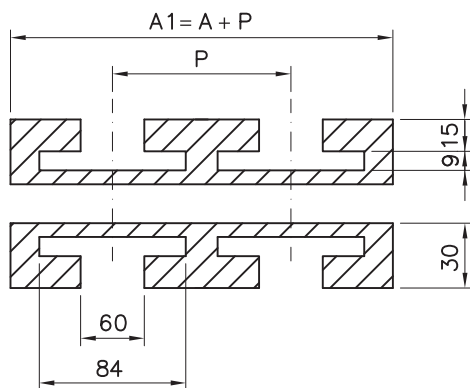
Sideflexing guides for chain  
 TAB 304.8 K1200

TRACKS	A mm	R1=610
1	320	DT23012
2	A1	DT23022*
3	A1	DT23032*
4	A1	DT23042*

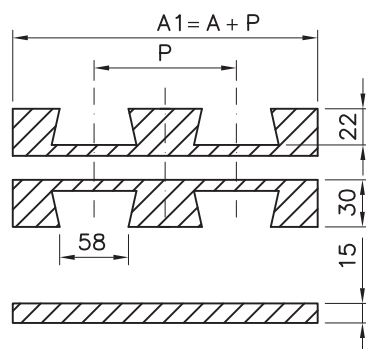
\* specify pitch P



TAB



BEVEL 8°



ALWAYS CHECK THE A DIMENSION



# SIDEFLEXING GUIDES FOR BEVEL 8° TYPE CHAINS

## 882 Series

Sideflexing guides for chain  
114.3 K450 P=120

TRACKS	A mm	R1=610	R1=650	R1=800	R1=1000
1	125	CB211124	CB211134	CB211144	CB211154
2	245	CB211224	CB211234	CB211244	CB211254
3	365	CB211324	CB211334	CB211344	CB211354
4	485	CB211424	CB211434	CB211444	CB211454

Sideflexing guides for chain  
190.5 K750 P=195

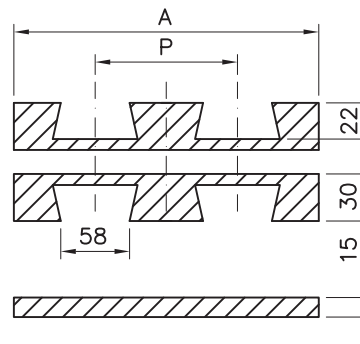
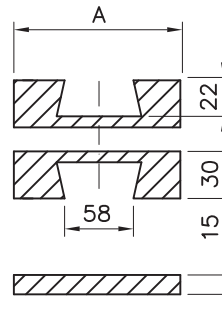
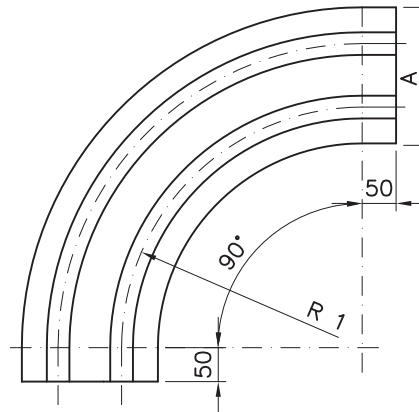
TRACKS	A mm	R1=610	R1=650	R1=800	R1=1000
1	200	CB219126	CB219136	CB219146	CB219156
2	395	CB219226	CB219236	CB219246	CB219256
3	590	CB219326	CB219336	CB219346	CB219356
4	785	CB219426	CB219436	CB219446	CB219456

Sideflexing guides for chain  
254.0 K1000 P=260

TRACKS	A mm	R1=610	R1=650	R1=800	R1=1000
1	265	CB225127	CB225137	CB225147	CB225157
2	525	CB225227	CB225237	CB225247	CB225257
3	785	CB225327	CB225337	CB225347	CB225357

Sideflexing guides for chain  
304.8 K1200 P=310

TRACKS	A mm	R1=610	R1=650	R1=800	R1=1000
1	320	CB230128	CB230138	CB230148	CB230158
2	630	CB230228	CB230238	CB230248	CB230258
3	940	CB230328	CB230338	CB230348	CB230358



ALWAYS CHECK THE A DIMENSION

# SIDEFLEXING GUIDES FOR TAB TYPE CHAINS 1873/1874 Series

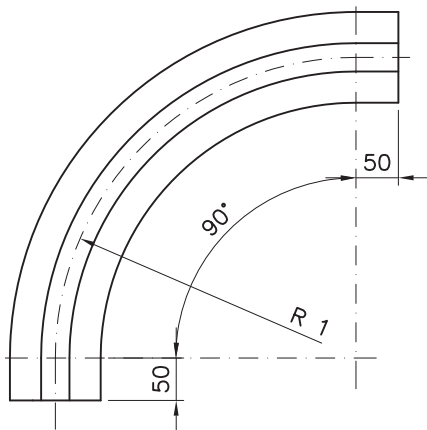


Sideflexing guides for chain  
82.5 K325 P=85

TRACKS	A mm	R1=380	R1=500	R1=610	R1=650	R1=800	R1=1000
1	100	CT48210	CT48211	CT48212	CT48213	CT48214	CT48215
2	185	CT482201	CT482211	CT482221	CT482231	CT482241	CT482251
3	270	CT482301	CT482311	CT482321	CT482331	CT482341	CT482351
4	355	CT482401	CT482411	CT482421	CT482431	CT482441	CT482451

Sideflexing guides for chain  
82.5 K325 P=88

TRACKS	A mm	R1=500	R1=610	R1=650	R1=800	R1=1000
1	100	CT48211	CT48212	CT48213	CT48214	CT48215
2	190	CT482212	CT482222	CT482232	CT482242	CT482252
3	280	CT482312	CT482322	CT482332	CT482342	CT482352
4	370	CT482412	CT482422	CT482432	CT482442	CT482452

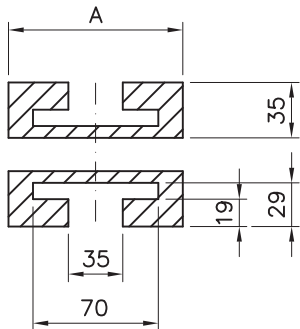


Sideflexing guides for chain  
82.5 K325 P=90

TRACKS	A mm	R1=500	R1=610	R1=650	R1=800	R1=1000
1	100	CT48211	CT48212	CT48213	CT48214	CT48215
2	190	CT482213	CT482223	CT482233	CT482243	CT482253
3	280	CT482313	CT482323	CT482333	CT482343	CT482353
4	370	CT482413	CT482423	CT482433	CT482443	CT482453

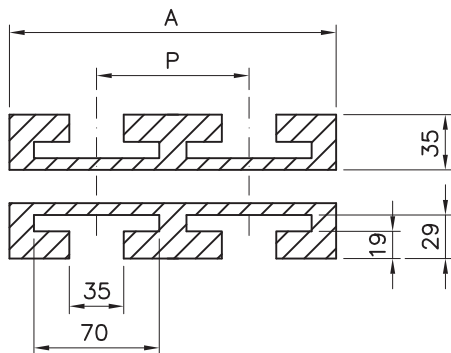
Sideflexing guides for chain  
114.3 K450 P=120

TRACKS	A mm	R1=380	R1=500	R1=610	R1=650	R1=800	R1=1000
1	130	CT411104	CT411114	CT411124	CT411134	CT411144	CT411154
2	250	CT411204	CT411214	CT411224	CT411234	CT411244	CT411254
3	370	CT411304	CT411314	CT411324	CT411334	CT411344	CT411354
4	490	CT411404	CT411414	CT411424	CT411434	CT411444	CT411454



Sideflexing guides for chain  
152.4 K600 P=160

TRACKS	A mm	R1=500	R1=610	R1=650	R1=800	R1=1000
1	170	CT415115	CT415125	CT415135	CT415145	CT415155
2	330	CT415215	CT415225	CT415235	CT415245	CT415255
3	490	CT415315	CT415325	CT415335	CT415345	CT415355
4	650	CT415415	CT415425	CT415435	CT415445	CT415455



Sideflexing guides for chain  
190.5 K750 P=195

TRACKS	A mm	R1=500	R1=610	R1=650	R1=800	R1=1000
1	200	CT419116	CT419126	CT419136	CT419146	CT419156
2	390	CT419216	CT419226	CT419236	CT419246	CT419256
3	590	CT419316	CT419326	CT419336	CT419346	CT419356
4	785	CT419416	CT419426	CT419436	CT419446	CT419456

Sideflexing guides for chain  
254.0 K1000 P=260

TRACKS	A mm	R1=500	R1=610	R1=650	R1=800	R1=1000
1	270	CT425117	CT425127	CT425137	CT425147	CT425157
2	530	CT425217	CT425227	CT425237	CT425247	CT425257

Sideflexing guides for chain  
304.8 K1200 P=310

TRACKS	A mm	R1=500	R1=610	R1=650	R1=800	R1=1000
1	320	CT430118	CT430128	CT430138	CT430148	CT430158
2	630	CT430218	CT430228	CT430238	CT430248	CT430258

ALWAYS CHECK THE A DIMENSION

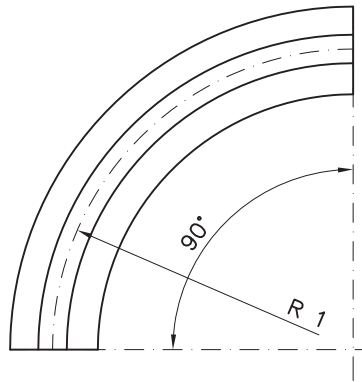


# SIDEFLEXING GUIDES FOR TAB TYPE CHAINS

## 1873/1874 Series

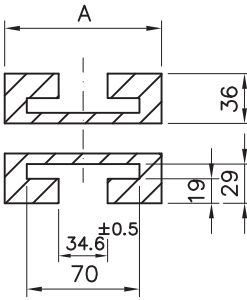
Sideflexing guides for chain  
82.5 K325 P=90

TRACKS	A mm	R1=500
1	100	DT482113
2	190	DT482213
3	280	DT482313
4	370	DT482413



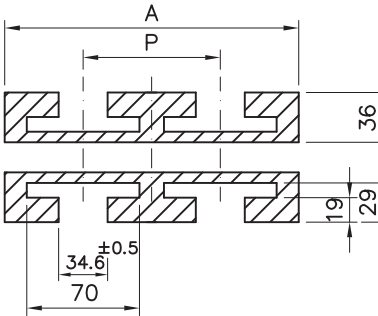
Sideflexing guides for chain  
114.3 K450 P=120

TRACKS	A mm	R1=500
1	125	DT411114
2	245	DT411214
3	365	DT411314
4	485	DT411414



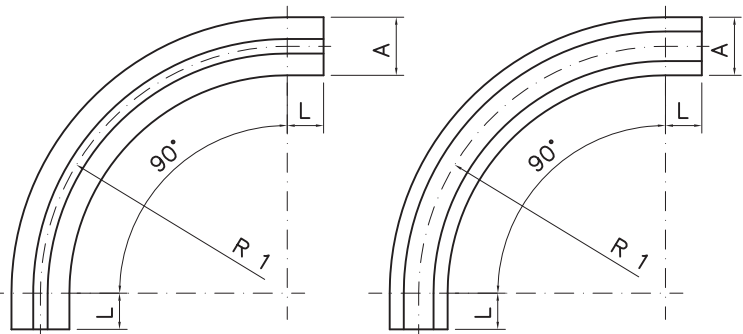
Sideflexing guides for chain  
152.4 K600 P=160

TRACKS	A mm	R1=610
1	160	DT415125
2	320	DT415225
3	480	DT415325
4	640	DT415425



Sideflexing guides for chain  
190.5 K750 P=195

TRACKS	A mm	R1=610
1	200	DT419126
2	395	DT419226
3	590	DT419326
4	785	DT419426



Sideflexing guides for chain  
254.0 K1000 P=260

TRACKS	A mm	R1=610
1	260	DT425127
2	520	DT425227

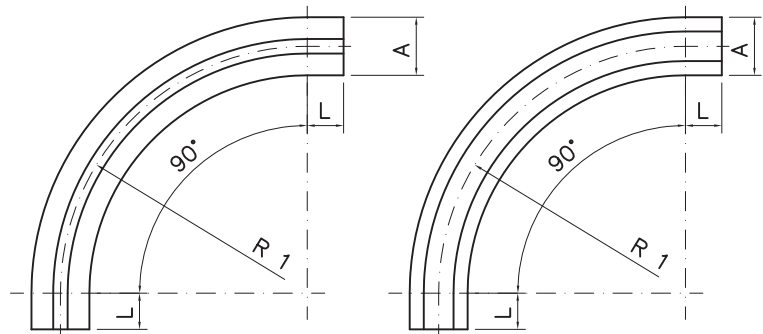
Sideflexing guides for chain  
304.8 K1200 P=310

TRACKS	A mm	R1=610
1	310	DT430128
2	620	DT430228

## SIDEFLEXING GUIDES FOR TAB TYPE CHAINS

### 1700TAB/1701TAB Series

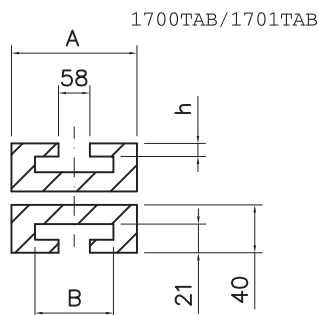
A	B	h	R1	L	CODE
100	70	12	250	50	WT170000
100	70	12	500	50	WT170010
100	70	12	610	50	WT170020



## SIDEFLEXING GUIDES FOR CHAINS

### 1700/1702 Series

A	R1	L	CODE
100	250	50	WX170000
100	500	50	WX170010
100	610	50	WX170020



ALWAYS CHECK THE A DIMENSION



## **STRAIGHT GUIDES**

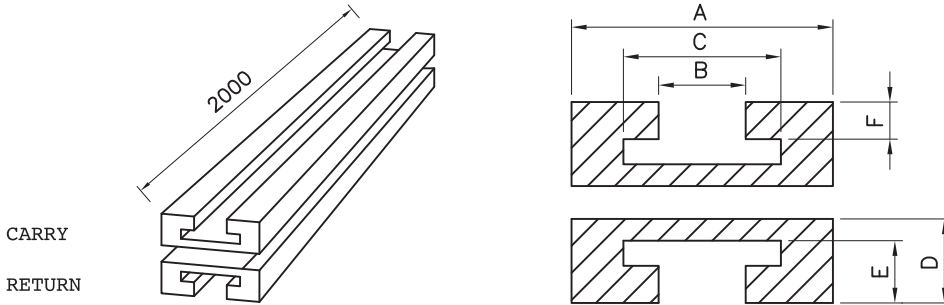




**STRAIGHT GUIDES FOR TAB TYPE CHAINS**  
**780TAB/790TAB/880TAB/881TAB/8811TAB/882TAB/1873TAB/1874TAB Series**

CHAIN TYPE	WIDTH	GUIDE CODE	A	B	C	D	E	F
880TAB K325	82.5	ST182100	100	45	67	25	18	9.5
881TAB K325								
8811TAB K325								
780TAB K330	83.8	ST182100	100					
790TAB K330								
880TAB K330								
880TAB K450	114.3	ST111100	130					
881TAB K450								
8811TAB K450								
880TAB K750	190.5	ST119100	200					
881TAB K750								
8811TAB K750								
882TAB K450	114.3	ST211100	130	60	84	30	24	15
882TAB K750	190.5	ST219100	200					
882TAB K1000	254.0	ST225100	270					
882TAB K1200	304.8	ST230100	320					
1873/1874 TAB K325	82.5	ST482100	100	35	70	35	29	19
1873/1874 TAB K450	114.3	ST411100	130					
1873/1874 TAB K600	152.4	ST415100	170					
1873/1874 TAB K750	190.5	ST419100	200					
1873/1874 TAB K1000	254.0	ST425100	270					
1873/1874 TAB K1200	304.8	ST430100	320					

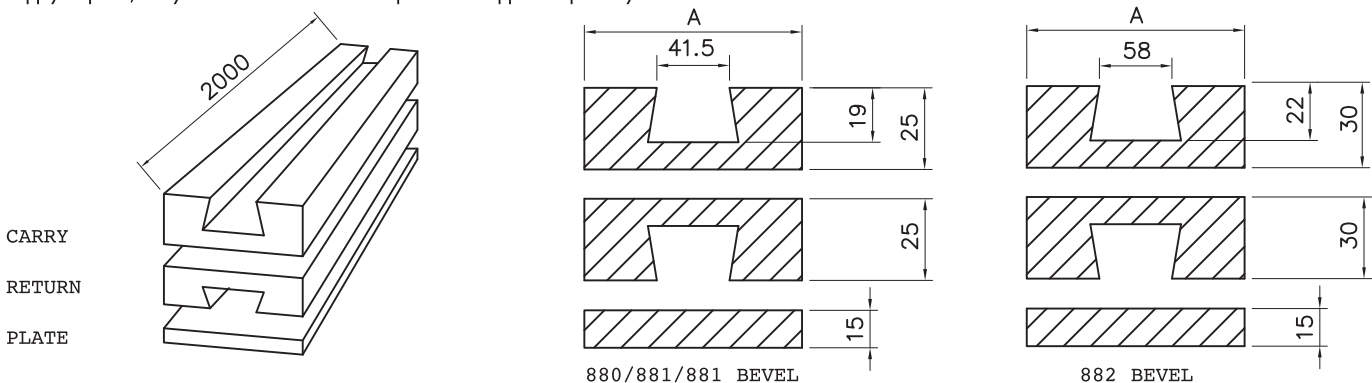
Supply: 1 piece; carry return sections and return plates are supplied separately.



**STRAIGHT GUIDES FOR BEVEL 8° TYPE CHAINS**  
**878/879/880/881/8811/882 Series**

CHAIN TYPE	WIDTH	GUIDE CODE	RET. PLATE CODE	A
880 - K325	82.5	SB182100	RB182100	100
881 - K325				
8811 - K325				
880 - K450	114.3	SB188100	RB188100	130
881 - K450				
8811 - K450				
880 - K750	190.5	SB119100	RB119100	200
881 - K750				
8811 - K750				
882 - K450	114.3	SB211100	RB211100	130
882 - K750	190.5	SB219100	RB219100	200
882 - K1000	254.0	SB225100	RB225100	270

Supply: 1 piece; carry return sections and return plates are supplied separately.



ALWAYS CHECK THE A DIMENSION

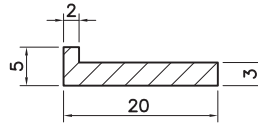
## **GUIDE RAIL PROFILES**





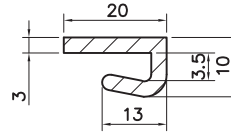
**L standard**

CODE	COLOUR	BARS	COILS	MATERIAL
PL000V	green	NO	50 mt	PEUHMW
PL000N	black	NO	50 mt	PEUHMW



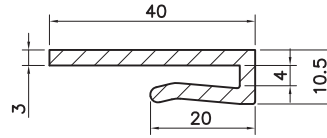
**LK**

CODE	COLOUR	BARS	COILS	MATERIAL
PLK00V	green	NO	40 mt	PEUHMW
PLK00N	black	NO	40 mt	PEUHMW



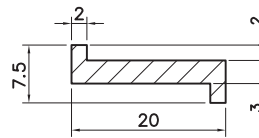
**LK40**

CODE	COLOUR	BARS	COILS	MATERIAL
PLK40V	green	NO	50 mt	PEUHMW
PLK40N	black	NO	50 mt	PEUHMW



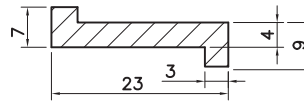
**Z standard**

CODE	COLOUR	BARS	COILS	MATERIAL
PZ000V	green	NO	50 mt	PEUHMW
PZ000N	black	NO	50 mt	PEUHMW



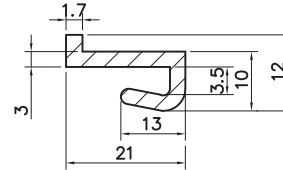
**ZR**

CODE	COLOUR	BARS	COILS	MATERIAL
PZR00V	green	NO	50 mt	PEUHMW
PZR00N	black	NO	50 mt	PEUHMW



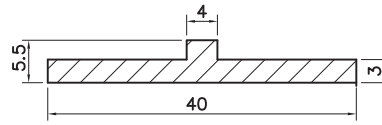
**ZK**

CODE	COLOUR	BARS	COILS	MATERIAL
PZK00V	green	NO	40 mt	PEUHMW
PZK00N	black	NO	40 mt	PEUHMW



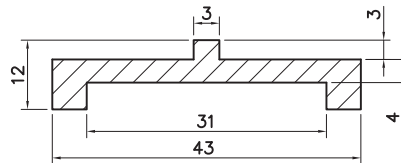
**T standard**

CODE	COLOUR	BARS	COILS	MATERIAL
PT000V	green	NO	50/80 mt	PEUHMW
PT000N	black	NO	50 mt	PEUHMW



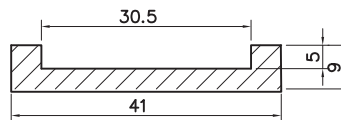
**TR**

CODE	COLOUR	BARS	COILS	MATERIAL
PTR00V	green	6 mt	60 mt	PEUHMW
PTR00N	black	6 mt	50 mt	PEUHMW



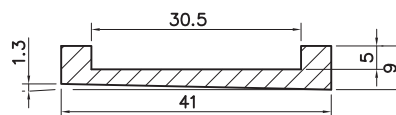
**U**

CODE	COLOUR	BARS	COILS	MATERIAL
PU000V	green	6 mt	50 mt	PEUHMW
PU000N	black	6 mt	50 mt	PEUHMW



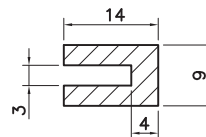
**U-1**

CODE	COLOUR	BARS	COILS	MATERIAL
PU100N	black	6 mt	50 mt	PEUHMW



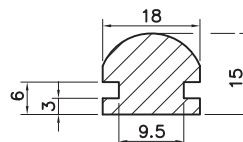
**GL**

CODE	COLOUR	BARS	COILS	MATERIAL
PGL00N	black	2/3/6 mt	NO	PEUHMW

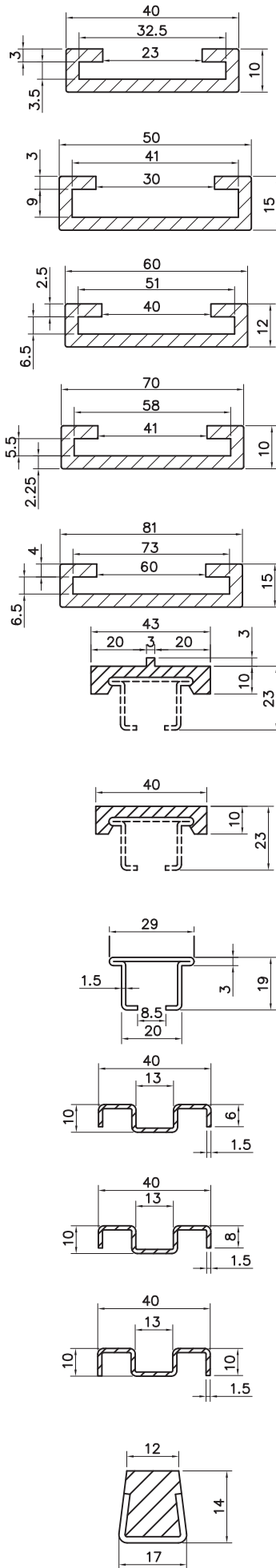


**RP**

CODE	COLOUR	BARS	COILS	MATERIAL
PRP00V	green	2/3/6 mt	NO	PEUHMW
PRP00N	black	2/3/6 mt	NO	PEUHMW
PRP00W	white	2/3/6 mt	NO	PEUHMW



minimum order 30 mt for article CODE PRP00V and 60 mt for article CODE PRP00N



C 30x3

CODE	COLOUR	BARS	COILS	MATERIAL
P3030V	green	2/3/4 mt	NO	PEUHMW
P3030N	black	2/3/4 mt	NO	PEUHMW

minimum order 30 mt for article CODE P3030V and 60 mt for article CODE P3030N

C 40x8

CODE	COLOUR	BARS	COILS	MATERIAL
P4080V	green	2/3/4 mt	NO	PEUHMW
P4080N	black	2/3/4 mt	NO	PEUHMW

minimum order 96 mt

C 50x5

CODE	COLOUR	BARS	COILS	MATERIAL
P5050N	black	2/3/6 mt	NO	PEUHMW

C 50x6

CODE	COLOUR	BARS	COILS	MATERIAL
P5060V	green	2/3/4 mt	NO	PEUHMW
P5060N	black	2/3/4 mt	NO	PEUHMW

minimum order 30 mt

C 70x6

CODE	COLOUR	BARS	COILS	MATERIAL
P7060V	green	2/3/4 mt	NO	PEUHMW
P7060N	black	2/3/4 mt	NO	PEUHMW

C 43x13

CODE	COLOUR	BARS	PACK	MATERIAL
P4313V	green	2/3/6 mt	36 mt	PEUHMW
P4313N*	black	2/3/6 mt	36 mt	PEUHMW

\* on request

C 40x10

CODE	COLOUR	BARS	PACK	MATERIAL
P4010V	green	2/3/6 mt	36 mt	PEUHMW
P4010N*	black	2/3/6 mt	36 mt	PEUHMW

\* on request

Metal profile OMEGA

CODE	BARS	PACK	MATERIAL
M3019S	2/3/6 mt	36 mt	AISI430
M3019SS	2/3/6 mt	36 mt	AISI304

Metal profile 40x6

CODE	BARS	PACK	MATERIAL
PM406ZN	2/3/6 mt	36 mt	ZnplSt
PM406SS	2/3/6 mt	36 mt	AISI304

Metal profile 40x8

CODE	BARS	PACK	MATERIAL
PM408ZN	2/3/6 mt	36 mt	ZnplSt
PM408SS	2/3/6 mt	36 mt	AISI304

Metal profile 40x10

CODE	BARS	PACK	MATERIAL
PM4010ZN	2/3/6 mt	36 mt	ZnplSt
PM4010SS	2/3/6 mt	36 mt	AISI304

Profile 12

CODE	COLOUR	BARS	PACK	MATERIAL
PR12WS	white	3/6 mt	24/48mt	PEUHMW
PR12WSS	white	3/6 mt	24/48mt	PEUHMW
PR12AS*	AS black	3/6 mt	24/48mt	PEUHMW
PR12ASS*	AS black	3/6 mt	24/48mt	PEUHMW

\* on request

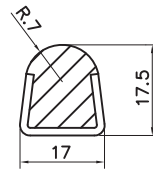


# GUIDE RAIL PROFILES FOR CONVEYOR CHAINS

## Profile R7

CODE	COLOUR	BARs	PACK	MATERIAL
PR7WS	white	3/6 mt	24/48mt	PEUHMW
PR7WSS	white	3/6 mt	24/48mt	PEUHMW
PR7AS*	AS black	3/6 mt	24/48mt	PEUHMW
PR7ASS*	AS black	3/6 mt	24/48mt	PEUHMW

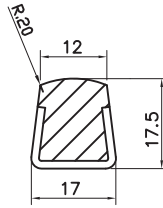
\* on request



## Profile R20

CODE	COLOUR	BARs	PACK	MATERIAL
PR20WS	white	3/6 mt	24/48mt	PEUHMW
PR20WSS	white	3/6 mt	24/48mt	PEUHMW
PR20AS*	AS black	3/6 mt	24/48mt	PEUHMW
PR20ASS*	AS black	3/6 mt	24/48mt	PEUHMW

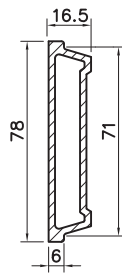
\* on request



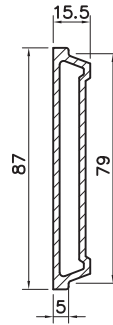
## SG-01

CODE	COLOUR	COILs	BARs
PSG10B	blue	NO	2/3/6 mt
PSG10N	black	NO	2/3/6 mt

minimum 30 mt



SG-01



SG-02

## SG-02

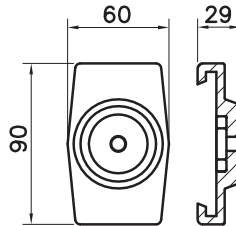
CODE	COLOUR	COILs	BARs
PSG20B	blue	NO	2/3/6 mt
PSG20N	black	NO	2/3/6 mt

minimum 30 mt

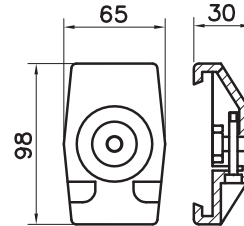
## Clamps for SG-01

CODE	COLOUR
CSG11N	black

minimum 50 pcs



CSG11N



CSG21N

## Clamps for SG-02

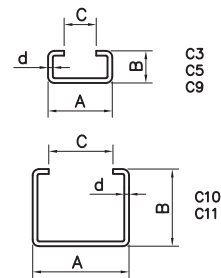
CODE	COLOUR
CSG21N	black

minimum 100 pcs

## METAL PROFILES

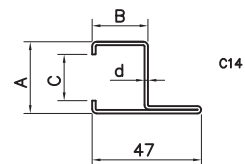
### Metal profile C3/C5/C9

CODE	A	B	C	d	BARs	MATERIAL
MC3S	20	10	10	1.3	2/3/6 mt	ZnplSt
MC3SS	20	10	10	1.3	2/3/6 mt	AISI304
MC5S	28	12	14	1.8	2/3/6 mt	ZnplSt
MC5SS	28	12	14	1.8	2/3/6 mt	AISI304
MC9S	38	18	22	1.5	2/3/6 mt	ZnplSt
MC9SS	38	18	22	1.5	2/3/6 mt	AISI304



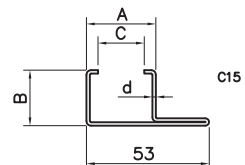
### Metal profile C10/C11

CODE	A	B	C	d	BARs	MATERIAL
MC10S	30	24	20	1.5	2/3/6 mt	ZnplSt
MC10SS	30	24	20	1.5	2/3/6 mt	AISI304
MC11S	45	40	31	1.5	2/3/6 mt	ZnplSt
MC11SS	45	40	31	1.5	2/3/6 mt	AISI304



### Metal profile C14/C15

CODE	A	B	C	d	BARs	MATERIAL
MC14S	31	25	20	2.0	2/3/6 mt	ZnplSt
MC14SS	31	25	20	2.0	2/3/6 mt	AISI304
MC15S	31	25	20	2.0	2/3/6 mt	ZnplSt
MC15SS	31	25	20	2.0	2/3/6 mt	AISI304

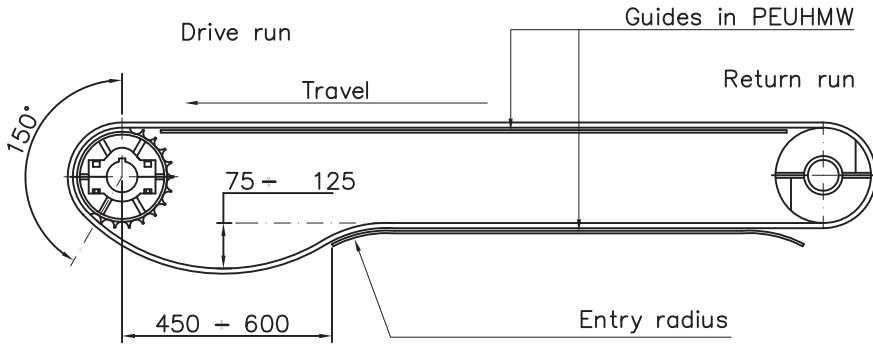


36 mt pack for all profiles

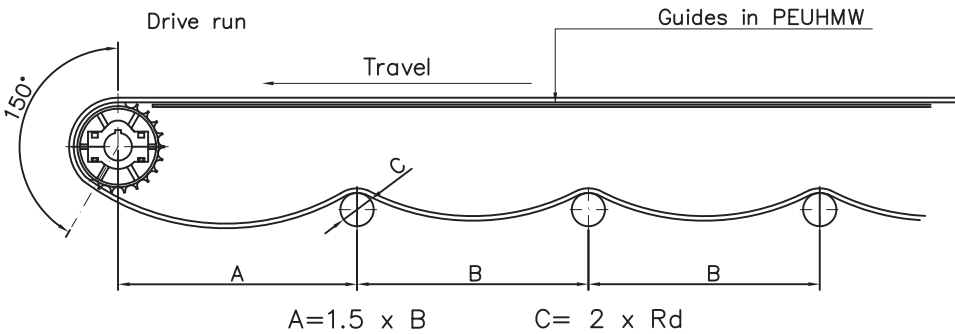
# CONVEYOR DESIGN



Example of a conveyor belt with chain return rollers.  
 It's important to provide a gap for the catenary sag under the sprockets, in order to avoid excessive tension on the hinges and to make an eventual chain disassembly easies.  
 The chain return occurs on guides in self-lubricating material (PEUHMW or Nylatron); the chain entry radius should be anyway greater than the backflex radius (Rd).

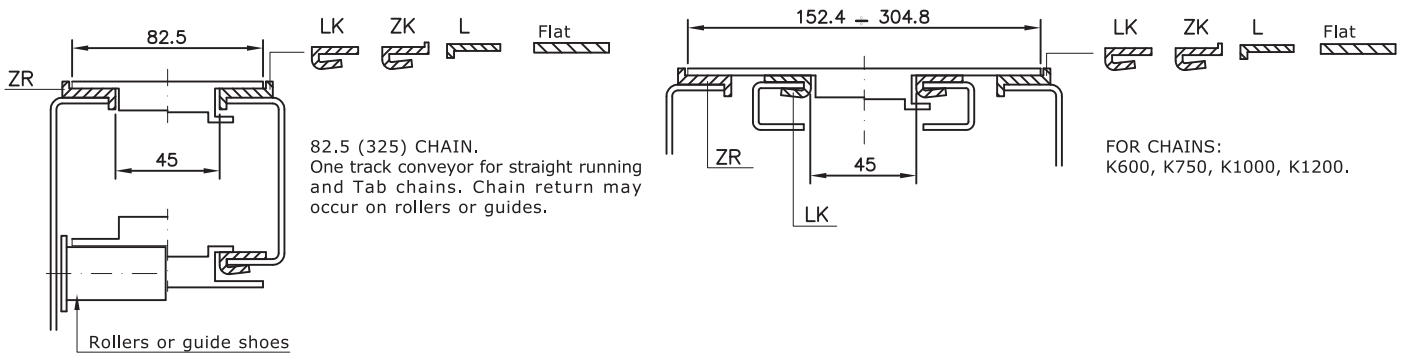


Example of a conveyor belt with chain return rollers.  
 It's important to provide a gap for the catenary sag under the sprockets, in order to avoid excessive tension on the hinges and to make an eventual chain disassembly easies.  
 Chain return rollers should have a diameter corresponding at least to twice the dimension of the chain backflex radius (Rd).

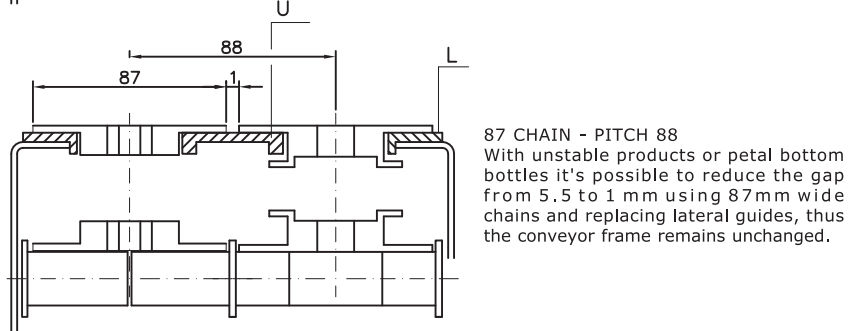
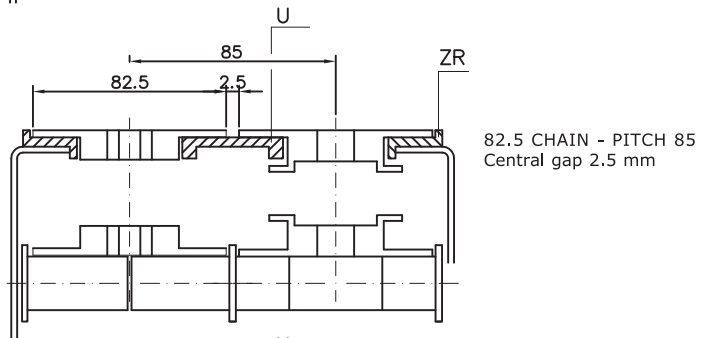
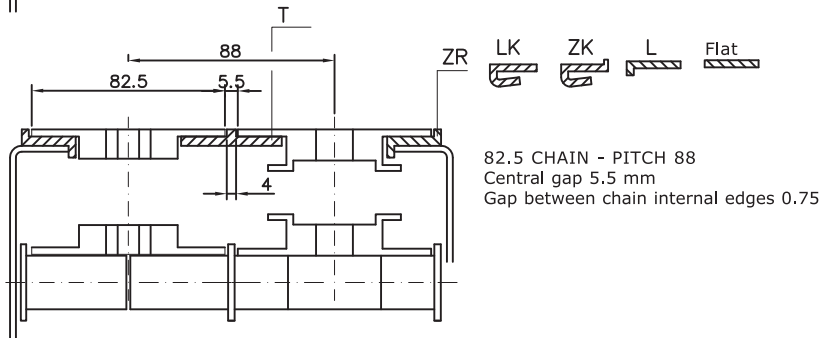
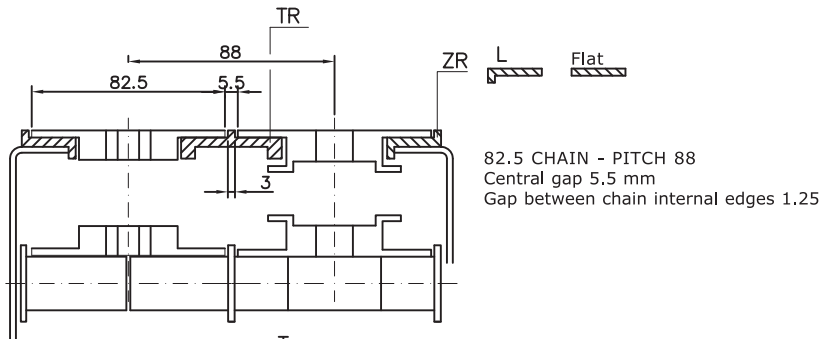
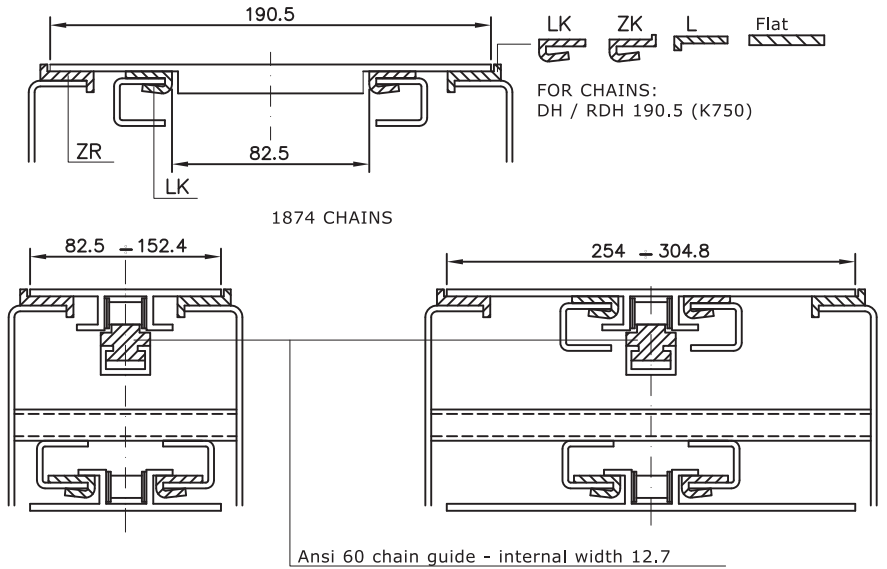


### CONVEYOR DESIGN

A few examples of slide guide assembly according to chain type are hereunder represented. It's important to remember that for narrow-base products or products conveyed on more tracks the fundamental value is chain distance(Gap). The lower this value is, the less unstable the conveyed product becomes.









# CONSTRUKTOR<sup>TM</sup>

www.construktor.com

---

[info@onstruktor.com](mailto:info@onstruktor.com)

## Poznań

tel. +48 61 653 25 60  
tel. +48 61 653 25 61  
[poznan@onstruktor.com](mailto:poznan@onstruktor.com)

## Wrocław

tel.+ 48 71 799 88 69  
tel. +48 71 788 88 79  
[wroclaw@onstruktor.com](mailto:wroclaw@onstruktor.com)

