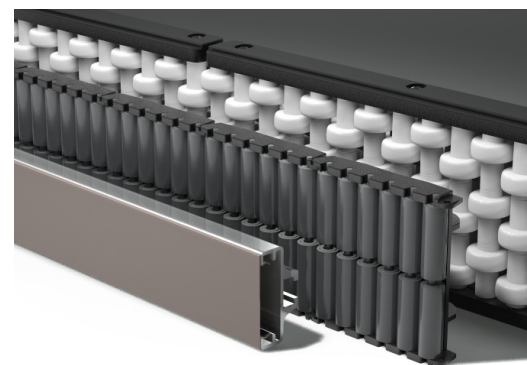
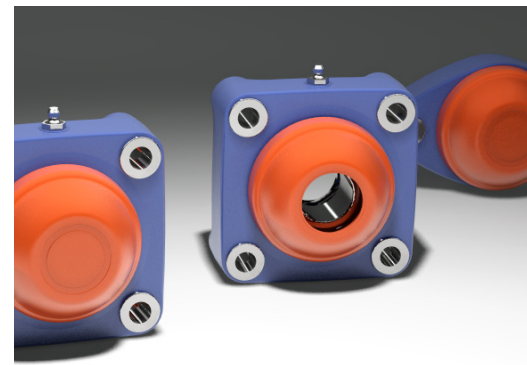
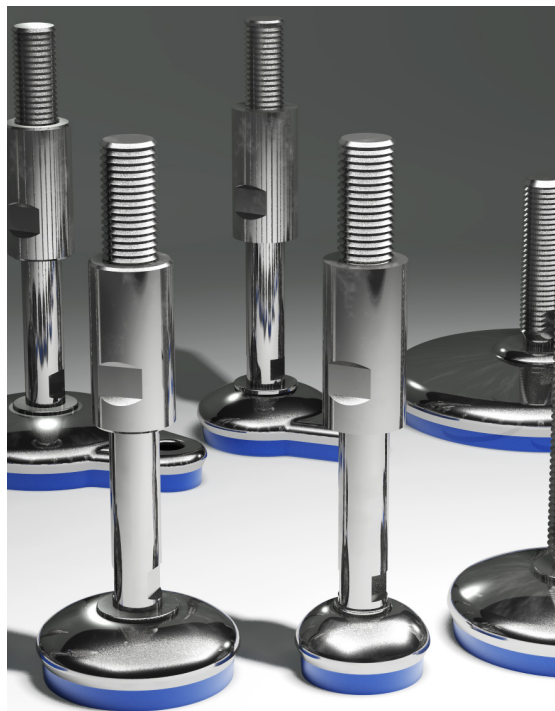
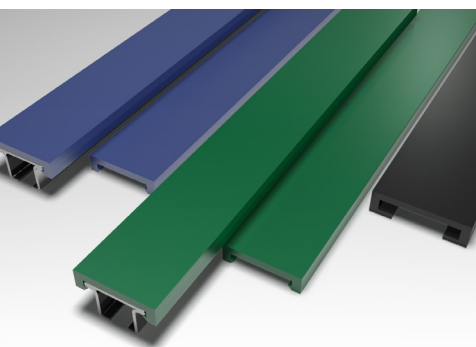
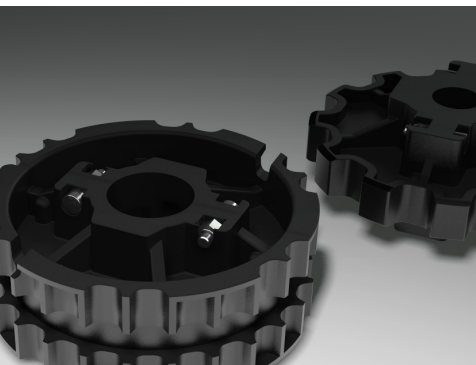


KOMPONENTY MASZYN

Katalog
2023







CONST**R**UKTOR

www.construktor.com

Conveyor components

Part.	Pag.	Part.	Pag.	Part.	Pag.	Part.	Pag.	Part.	Pag.	Part.	Pag.	Part.	Pag.
200	10	245	73	291	44	340	114	388	124	434	55	481	112
201	10	246	37	293	74	341	114	389	138	435	61	482	107
202	11	247	37	294	40	342	115	390	139	436	30	483	45
203	11	248	37	296	71	343	115	391	139	437	111	484	45
204	49	249	73	297	60	344	118	392	30	438	133	485	132
205	49	250	70	299	145	345	116	393	124	439	53	486	27
206	56	251	71	300	84	346	46	394	124	440	53	487	27
207	13	252	72	301	48	347	46	395	124	441	32	488	22
208	12	253	72	302	70	348	47	397	42	442	32	489	22
209	25	254	75	303	41	349	47	398	48	443	52	490	23
210	15	255	24	304	41	350	40	399	73	444	138	491	23
211	13	256	35	305	41	352	147	400	42	446	133	492	140
212	12	257	90	306	96	353	131	401	16	448	119	493	113
213	17	258	91	307	96	354	129	402	14	449	120	494	113
214	17	259	91	308	97	355	104	403	16	450	121	495	141
215	18	260	93	310	77	356	104	404	16	451	119	496	141
216	20	261	94	311	76	357	105	405	51	452	120	497	141
217	25	262	94	312	60	358	105	406	33	453	121	498	142
218	21	263	84	313	38	359	63	407	33	454	78	499	142
219	24	264	85	314	38	360	143	408	31	455	78	500	124
220	26	265	85	315	38	361	150	409	14	456	79	501	122
221	34	266	34	316	144	362	150	410	51	457	79	502	122
222	34	267	63	317	84	363	150	411	51	458	82	511	110
223	35	268	77	318	110	364	150	412	50	459	83	512	136
224	28	269	77	319	97	365	151	413	50	460	48	513	135
225	28	270	66	320	108	366	151	414	87	461	140	514	132
226	36	271	66	321	108	367	151	415	112	462	148	515	127
227	36	272	69	322	108	368	151	416	93	463	109	517	136
228	36	273	67	323	108	369	151	417	90	464	106	519	139
229	43	274	68	324	58	370	149	418	130	465	107	520	69
230	43	275	69	325	100	371	149	419	130	466	107	521	50
231	44	276	74	326	100	373	128	420	131	467	102	522	111
232	44	277	64	327	101	374	148	421	118	468	98	523	81
233	88	278	64	328	101	375	125	422	117	469	132	524	75
234	88	279	20	329	109	376	89	423	116	470	54	525	74
235	29	280	19	330	125	377	137	424	52	471	142	526	35
236	29	281	19	331	146	379	65	425	126	472	80	527	88
237	57	282	75	332	42	380	65	426	126	473	80	528	109
238	58	283	87	333	61	381	134	427	55	474	98	529	76
239	59	285	76	334	39	382	40	428	62	475	99	530	28
240	57	286	67	335	86	383	40	429	144	476	99	531	54
241	59	287	68	336	86	384	134	430	92	477	102	534	127
242	26	288	89	337	39	385	135	431	92	478	103	535	81
243	18	289	43	338	39	386	39	432	95	479	103	536	126
244	21	290	45	339	117	387	30	433	95	480	106		

Bases

			
Part. 200	pag. 10	Part. 201	pag. 10
		Part. 202	pag. 11
		Part. 203	pag. 11

Bearing heads

					
Part. 212	pag. 12	Part. 208	pag. 12	Part. 211	pag. 13
		Part. 207	pag. 13	Part. 409	pag. 13
				Part. 402	pag. 14



Connecting joints

				
Part. 210	pag. 15	Part. 210	pag. 15	Part. 403
		Part. 403	pag. 16	Part. 404
				Part. 401






Guide rail brackets

						
Part. 213	pag. 17	Part. 214	pag. 17	Part. 215	pag. 18	Part. 243
		Part. 243	pag. 18	Part. 280	pag. 19	Part. 281
				Part. 281	pag. 19	Part. 279
				Part. 279	pag. 20	
						
Part. 216	pag. 20	Part. 218	pag. 21	Part. 244	pag. 21	Part. 488
		Part. 488	pag. 22	Part. 489	pag. 22	Part. 490
				Part. 490	pag. 23	Part. 491
				Part. 491	pag. 23	
						
Part. 255	pag. 24	Part. 219	pag. 24	Part. 217	pag. 25	Part. 209
		Part. 209	pag. 25	Part. 220	pag. 26	Part. 242
				Part. 242	pag. 26	Part. 486
				Part. 486	pag. 27	
						
Part. 487	pag. 27	Part. 224	pag. 28	Part. 225	pag. 28	Part. 530
		Part. 530	pag. 28	Part. 236	pag. 29	Part. 235
				Part. 235	pag. 29	Part. 387
				Part. 387	pag. 30	
						
Part. 392	pag. 30	Part. 436	pag. 30	Part. 408	pag. 31	Part. 408
		Part. 408	pag. 31	Part. 408	pag. 31	Part. 442
				Part. 442	pag. 32	Part. 441
				Part. 441	pag. 32	
























Tightening eyebolts

	Part. 406	pag. 33		Part. 407	pag. 33
---	-----------	---------	---	-----------	---------

Heads for brackets

	Part. 222	pag. 34		Part. 221	pag. 34		Part. 266	pag. 34		Part. 223	pag. 35		Part. 256	pag. 35		Part. 526	pag. 35
---	-----------	---------	---	-----------	---------	---	-----------	---------	---	-----------	---------	---	-----------	---------	---	-----------	---------

Knobs and handles

	Part. 226	pag. 36		Part. 227	pag. 36		Part. 228	pag. 36		Part. 246	pag. 37		Part. 247	pag. 37		Part. 248	pag. 37		Part. 313	pag. 38		Part. 314	pag. 38
	Part. 315	pag. 38		Part. 386	pag. 39		Part. 334	pag. 39		Part. 337	pag. 39		Part. 338	pag. 39		Part. 382	pag. 40		Part. 383	pag. 40		Part. 350	pag. 40
	Part. 294	pag. 40		Part. 303	pag. 41		Part. 304	pag. 41		Part. 305	pag. 41		Part. 397	pag. 42		Part. 400	pag. 42		Part. 332	pag. 42			

Guide rail clamps

	Part. 230	pag. 43		Part. 289	pag. 43		Part. 229	pag. 43		Part. 231	pag. 44		Part. 232	pag. 44		Part. 291	pag. 44		Part. 483	pag. 45		Part. 484	pag. 45
	Part. 290	pag. 45		Part. 346	pag. 46		Part. 347	pag. 46		Part. 348	pag. 47		Part. 349	pag. 47		Part. 301	pag. 48		Part. 460	pag. 48		Part. 398	pag. 48
	Part. 204	pag. 49		Part. 205	pag. 49		Part. 412	pag. 50		Part. 413	pag. 50		Part. 521	pag. 50		Part. 410	pag. 51		Part. 411	pag. 51		Part. 405	pag. 51
	Part. 424	pag. 52		Part. 443	pag. 52		Part. 440	pag. 53		Part. 439	pag. 53		Part. 470	pag. 54		Part. 531	pag. 54		Part. 427	pag. 55		Part. 434	pag. 55

Clamps

					
Part. 206 pag. 56	Part. 237 pag. 57	Part. 240 pag. 57	Part. 238 pag. 58	Part. 324 pag. 58	Part. 239 pag. 59
					
Part. 241 pag. 59	Part. 297 pag. 60	Part. 312 pag. 60	Part. 435 pag. 61	Part. 333 pag. 61	

Shoes

		
Part. 428 pag. 62	Part. 267 pag. 63	Part. 359 pag. 63

Chain tensioners

	
Part. 277 pag. 64	Part. 278 pag. 64

Return rollers

						
Part. 379 pag. 65	Part. 380 pag. 65	Part. 270 pag. 66	Part. 271 pag. 66	Part. 273 pag. 67	Part. 286 pag. 67	Part. 287 pag. 68
						
Part. 274 pag. 68	Part. 275 pag. 69	Part. 272 pag. 69	Part. 520 pag. 69	Part. 302 pag. 70	Part. 250 pag. 70	Part. 251 pag. 71
						
Part. 296 pag. 71	Part. 252 pag. 72	Part. 253 pag. 72	Part. 249 pag. 73	Part. 245 pag. 73	Part. 399 pag. 73	Part. 293 pag. 74
						
Part. 525 pag. 74	Part. 276 pag. 74	Part. 254 pag. 75	Part. 524 pag. 75	Part. 282 pag. 75		





Idler wheels

 Part. 311 pag. 76	 Part. 529 pag. 76	 Part. 285 pag. 76	 Part. 310 pag. 77	 Part. 268 pag. 77	 Part. 269 pag. 77	 Part. 455 pag. 78	 Part. 454 pag. 78
 Part. 457 pag. 79	 Part. 456 pag. 79	 Part. 472 pag. 80	 Part. 473 pag. 80	 Part. 535 pag. 81	 Part. 523 pag. 81	 Part. 458 pag. 82	 Part. 459 pag. 83

Bearing supports

 Part. 300 pag. 84	 Part. 317 pag. 84	 Part. 263 pag. 84	 Part. 264 pag. 85	 Part. 265 pag. 85
--	--	--	---	--

Bushings

 Part. 336 pag. 86	 Part. 335 pag. 86	 Part. 414 pag. 87	 Part. 283 pag. 87
---	---	---	---









Hinges

 Part. 233 pag. 88	 Part. 234 pag. 88	 Part. 527 pag. 88
--	--	--






















































































Split shaft collars

 Part. 288 pag. 89	 Part. 376 pag. 89
--	--

Modular transfer plates

 Part. 257 pag. 90	 Part. 417 pag. 90	 Part. 258 pag. 91	 Part. 259 pag. 91	 Part. 430 pag. 92	 Part. 431 pag. 92
 Part. 260 pag. 93	 Part. 416 pag. 93	 Part. 261 pag. 94	 Part. 262 pag. 94	 Part. 432 pag. 95	 Part. 433 pag. 95








Product guides and accessories

 Part. 306 pag. 96	 Part. 307 pag. 96	 Part. 308 pag. 97	 Part. 319 pag. 97	 Part. 468 pag. 98	 Part. 474 pag. 98
 Part. 475 pag. 99	 Part. 476 pag. 99	 Part. 325 pag. 100	 Part. 326 pag. 100	 Part. 327 pag. 101	 Part. 328 pag. 101
 Part. 467 pag. 102	 Part. 477 pag. 102	 Part. 478 pag. 103	 Part. 479 pag. 103	 Part. 355 pag. 104	 Part. 356 pag. 104
 Part. 357 pag. 105	 Part. 358 pag. 105	 Part. 464 pag. 106	 Part. 480 pag. 106	 Part. 482 pag. 107	 Part. 466 pag. 107
 Part. 465 pag. 107	 Part. 320 pag. 108	 Part. 321 pag. 108	 Part. 322 pag. 108	 Part. 323 pag. 108	 Part. 329 pag. 109
 Part. 463 pag. 109	 Part. 528 pag. 109	 Part. 511 pag. 110	 Part. 318 pag. 110	 Part. 437 pag. 111	 Part. 522 pag. 111
 Part. 415 pag. 112	 Part. 481 pag. 112	 Part. 493 pag. 113	 Part. 494 pag. 113	 Part. 340 pag. 114	 Part. 341 pag. 114
 Part. 342 pag. 115	 Part. 343 pag. 115	 Part. 345 pag. 116	 Part. 423 pag. 116	 Part. 339 pag. 117	 Part. 422 pag. 117
 Part. 344 pag. 118	 Part. 421 pag. 118	 Part. 448 pag. 119	 Part. 451 pag. 119	 Part. 449 pag. 120	 Part. 452 pag. 120
 Part. 450 pag. 121	 Part. 453 pag. 121	 Part. 502 pag. 122	 Part. 501 pag. 122	 Part. 501 pag. 122	 Part. 501 pag. 123
 Part. 501 pag. 123	 Part. 388 pag. 124	 Part. 393 pag. 124	 Part. 394 pag. 124	 Part. 395 pag. 124	 Part. 500 pag. 124
 Part. 330 pag. 125	 Part. 375 pag. 125	 Part. 426 pag. 126	 Part. 425 pag. 126	 Part. 536 pag. 126	 Part. 515 pag. 127
 Part. 534 pag. 127	 Part. 373 pag. 128	 Part. 354 pag. 129	 Part. 418 pag. 130	 Part. 419 pag. 130	 Part. 420 pag. 131
 Part. 353 pag. 131	 Part. 469 pag. 132	 Part. 514 pag. 132	 Part. 485 pag. 132	 Part. 438 pag. 133	 Part. 370 pag. 149
 Part. 371 pag. 149					

Chain guides and accessories

 Part. 446 pag. 133	New  Part. 381 pag. 134	 Part. 384 pag. 134	New  Part. 385 pag. 135	 Part. 513 pag. 135	 Part. 512 pag. 136
 Part. 517 pag. 136	 Part. 377 pag. 137	 Part. 444 pag. 138	 Part. 389 pag. 138	 Part. 519 pag. 139	 Part. 390 pag. 139
 Part. 391 pag. 139	 Part. 461 pag. 140	 Part. 492 pag. 140	 Part. 496 pag. 141	 Part. 495 pag. 141	 Part. 497 pag. 141
 Part. 471 pag. 142	 Part. 498 pag. 142	 Part. 499 pag. 142	 Part. 361 pag. 150	 Part. 362 pag. 150	 Part. 363 pag. 150
 Part. 364 pag. 150	New  Part. 365 pag. 151	New  Part. 366 pag. 151	 Part. 367 pag. 151	 Part. 368 pag. 151	 Part. 369 pag. 151

Accessories for the cross adjustment of the side guides

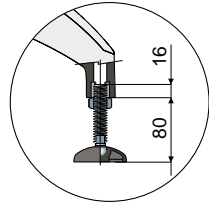
 Part. 429 pag. 144	 Part. 316 pag. 144	 Part. 299 pag. 145	 Part. 331 pag. 146
 Part. 352 pag. 147	 Part. 462 pag. 148	 Part. 374 pag. 148	

Process control

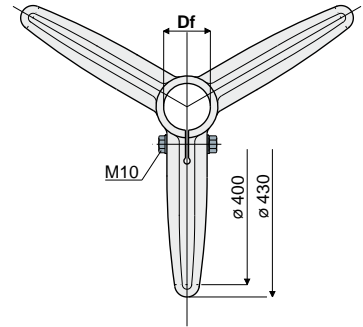
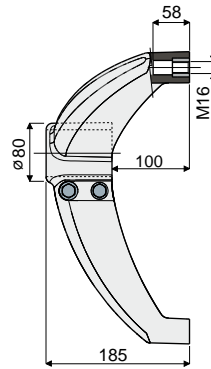
 Part. 360 pag. 143
--

Bases

Part. 200 Support base (tripod)



Max protrusion advised



Df Bore for tubes of		Zinc plated bolts and nuts	Stainless steel AISI 304 bolts and nuts	Tube unthreading load	Max static load allowed
(mm)	(Inches)	Code	Code	(N)	(N)
60,3	2"	200 / 80588	200 / 80589	9600	15800
50,8	-	200 / 82070	200 / 82071		
48,3	1" 1/2	200 / 80590	200 / 80591		
42,4	1" 1/4	200 / 80592	200 / 80593		
40x40	square tube	200 / 85108	200 / 85109		
45x45	square tube	200 / 80271	200 / 80753		

MATERIALS: Base made of reinforced polyamide black colour; threaded bushing made of nickel plated brass; fixing bolts and nuts made of stainless steel AISI 304 or zinc plated steel.

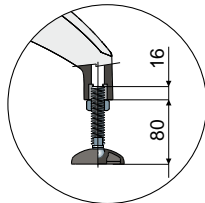
FEATURES: Max tightening torque 3,6 Kg-m.

BOX QUANTITY: 8 pieces.

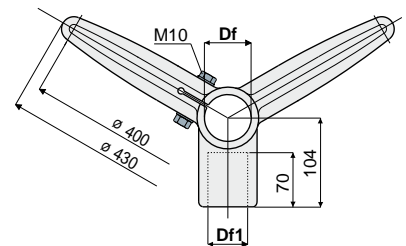
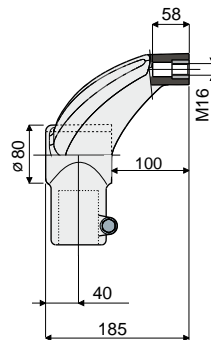
ON REQUEST:

- Bases: In reinforced polypropylene, other colours.
- Box quantity: According to your request.
- Assembling of: Bolts and nuts.

Part. 201 Support base (bipod at 120°)



Max protrusion advised



Df Bore for tubes of		Df1 Bore for tubes of		Zinc plated bolts and nuts	Stainless steel AISI 304 bolts and nuts	Tube unthreading load	Max static load allowed
(mm)	(Inches)	(mm)	(Inches)	Code	Code	(N)	(N)
60,3	2"	48,3	1" 1/2	201 / 80612	201 / 80613	9600	15800
60,3	2"	42,4	1" 1/4	201 / 80614	201 / 80615		
50,8	-	48,3	-	201 / 83200	201 / 83201		
50,8	-	42,4	-	201 / 83202	201 / 83203		
48,3	1" 1/2	48,3	1" 1/2	201 / 80616	201 / 80617		
48,3	1" 1/2	42,4	1" 1/4	201 / 80618	201 / 80619		
42,4	1" 1/4	42,4	1" 1/4	201 / 80620	201 / 80621		

MATERIALS: Base made of reinforced polyamide black colour; threaded bushing made of nickel plated brass; fixing bolts and nuts made of stainless steel AISI 304 or zinc plated steel.

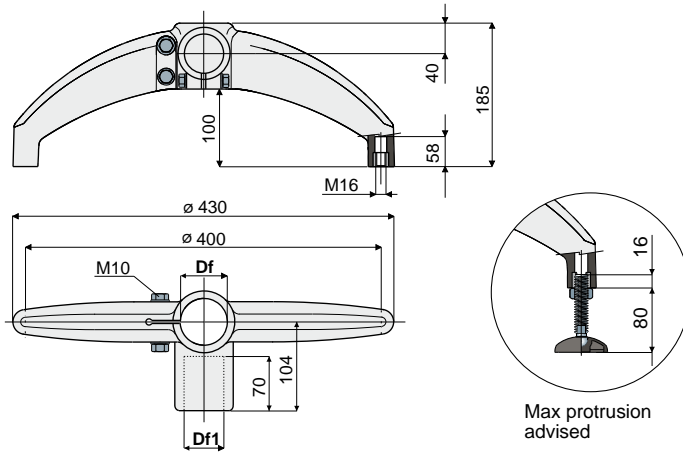
FEATURES: Max tightening torque 3,6 Kg-m.

BOX QUANTITY: 8 pieces.

ON REQUEST:

- Bases: In reinforced polypropylene, other colours.
- Box quantity: According to your request.
- Assembling of: Bolts and nuts.

Bases



Support base
(bipod at 180°)

Part. **202**



Df		Df1		Zinc plated bolts and nuts	Stainless steel AISI 304 bolts and nuts	Tube unthreading load (N)	Max static load allowed (N)
Bore for tubes of (mm)	(Inches)	Bore for tubes of (mm)	(Inches)	Code	Code		
60,3	2"	48,3	1" 1/2	202 / 80622	202 / 80623		
60,3	2"	42,4	1" 1/4	202 / 80624	202 / 80625		
50,8	-	48,3	-	202 / 83204	202 / 83205		
50,8	-	42,4	-	202 / 83206	202 / 83207	9600	15800
48,3	1" 1/2	48,3	1" 1/2	202 / 80626	202 / 80627		
48,3	1" 1/2	42,4	1" 1/4	202 / 80628	202 / 80629		
42,4	1" 1/4	42,4	1" 1/4	202 / 80630	202 / 80631		

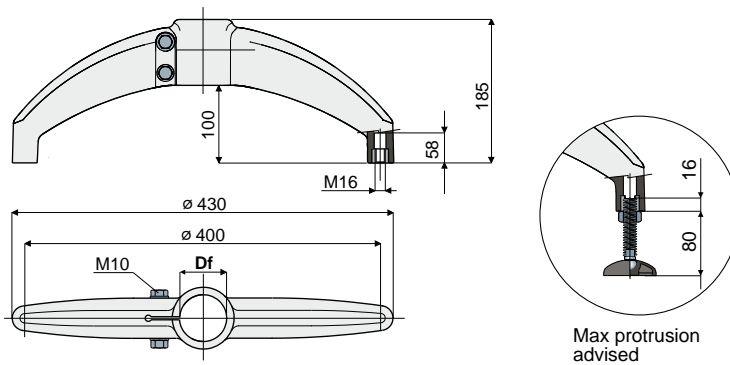
MATERIALS: Base made of reinforced polyamide black colour; threaded bushing made of nickel plated brass; fixing bolts and nuts made of stainless steel AISI 304 or zinc plated steel.

FEATURES: Max tightening torque 3,6 Kg·m.

BOX QUANTITY: 8 pieces.

ON REQUEST:

- **Bases:** In reinforced polypropylene, other colours.
- **Box quantity:** According to your request.
- **Assembling of:** Bolts and nuts.



Support base
(bipod at 180°)

Part. **203**



Df		Df1		Zinc plated bolts and nuts	Stainless steel AISI 304 bolts and nuts	Tube unthreading load (N)	Max static load allowed (N)
Bore for tubes of (mm)	(Inches)	Bore for tubes of (mm)	(Inches)	Code	Code		
60,3	2"	48,3	1" 1/2	203 / 80632	203 / 80633		
50,8	-	48,3	-	203 / 82998	203 / 82999		
48,3	1" 1/2	48,3	1" 1/2	203 / 80634	203 / 80635	9600	15800
42,4	1" 1/4	42,4	1" 1/4	203 / 80636	203 / 80637		

MATERIALS: Base made of reinforced polyamide black colour; threaded bushing made of nickel plated brass; fixing bolts and nuts made of stainless steel AISI 304 or zinc plated steel.

FEATURES: Max tightening torque 3,6 Kg·m.

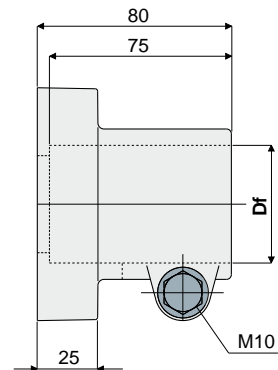
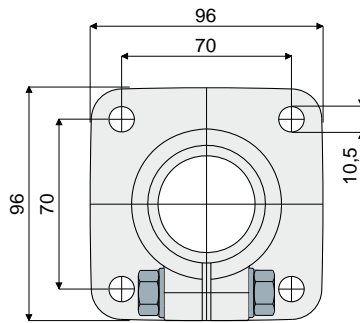
BOX QUANTITY: 8 pieces.

ON REQUEST:

- **Bases:** In reinforced polypropylene, other colours.
- **Box quantity:** According to your request.
- **Assembling of:** Bolts and nuts.

Bearing heads

Part. 212 Bearing head



Df		Zinc plated bolts and nuts	Stainless steel AISI 304 bolts and nuts
Bore for tubes of (mm)	(Inches)	Code	Code
48,3	1" 1/2	212 / 80650	212 / 80651
50,8	-	212 / 83208	212 / 83110

MATERIALS: Bearing head made of reinforced polyamide black colour; bolts and nuts made of stainless steel AISI 304 or zinc plated steel.

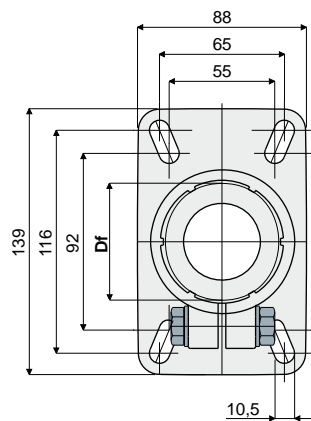
FEATURES: Max tightening torque 3,6 Kg-m.

BOX QUANTITY: 8 pieces.

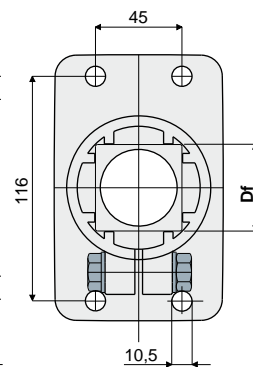
ON REQUEST:

- Bearing heads: In reinforced polypropylene, other colours.
- Box quantity: According to your request.
- Assembling of: Bolts and nuts.

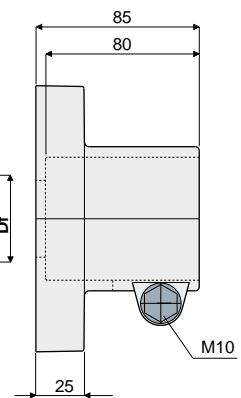
Part. 208 Bearing head



For round tubes



For square tubes



Df		Zinc plated bolts and nuts	Stainless steel AISI 304 bolts and nuts
Bore for tubes of (mm)	(Inches)	Code	Code
60,3	2"	208 / 80764	208 / 80765
50,8	-	208 / 82072	208 / 82073
48,3	1" 1/2	208 / 80766	208 / 80767
42,4	1" 1/4	208 / 80768	208 / 80769
40x40	square tube	208 / 85110	208 / 85111
45x45	square tube	208 / 80770	208 / 80771

MATERIALS: Bearing head made of reinforced polyamide black colour; bolts and nuts made of stainless steel AISI 304 or zinc plated steel.

FEATURES: Max tightening torque 3,6 Kg-m.

BOX QUANTITY: 8 pieces.

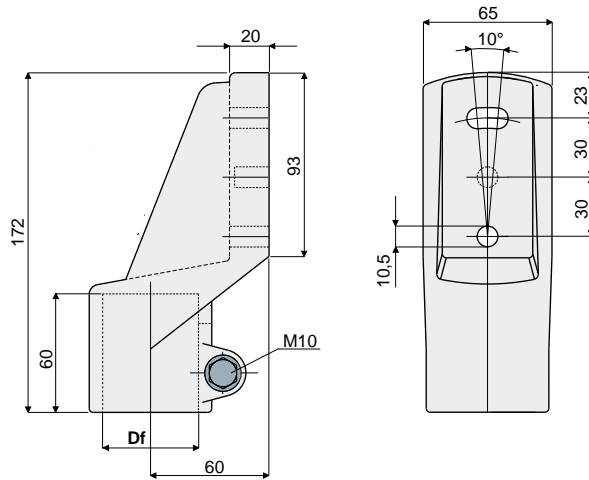
ON REQUEST:

- Bearing heads: In reinforced polypropylene, other colours.
- Box quantity: According to your request.
- Assembling of: Bolts and nuts.

Bearing heads

Side mounting top bracket

Part. **211**



Df Bore for tubes of		Zinc plated bolts and nuts	Stainless steel AISI 304 bolts and nuts
(mm)	(Inches)	Code	Code
48,3	1" 1/2	211 / 80648	211 / 80649

MATERIALS: Top bracket made out of reinforced polyamide black colour; bolts and nuts made out of stainless steel AISI 304 or zinc plated steel.

FEATURES: Max tightening torque 3,6 Kg·m.

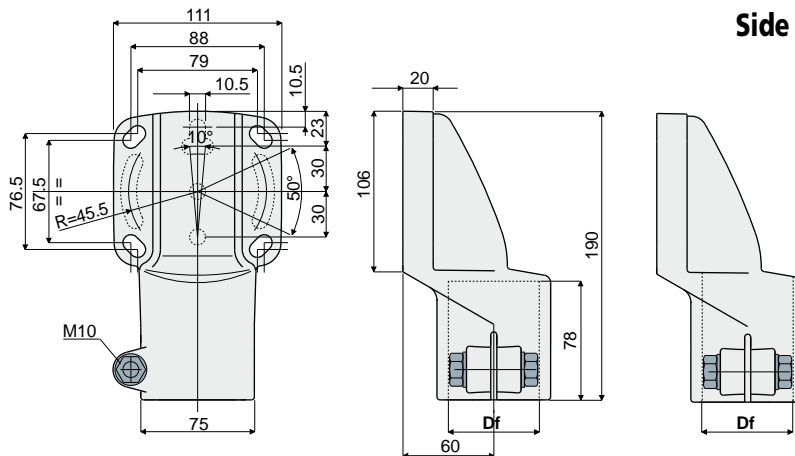
BOX QUANTITY: 8 pieces.

ON REQUEST:

- Top brackets: In reinforced polypropylene, other colours.
- Box quantity: According to your request.
- Assembling of: Bolts and nuts.

Side mounting top bracket

Part. **207**



Df Bore for tubes of		Zinc plated bolts and nuts	Stainless steel AISI 304 bolts and nuts
(mm)	(Inches)	Code	Code
60,3	2"	207 / 80790	207 / 80791
50,8	-	207 / 83210	207 / 83211
48,3	1" 1/2	207 / 80792	207 / 80793
42,4	1" 1/4	207 / 80794	207 / 80795
40x40	square tube	207 / 85112	207 / 85113
45x45	square tube	207 / 80796	207 / 80797
48,3	through hole	207 / 82632	207 / 82633

MATERIALS: Top bracket made of reinforced polyamide black colour; bolts and nuts made of stainless steel AISI 304 or zinc plated steel.

FEATURES: Max tightening torque 3,6 Kg·m.

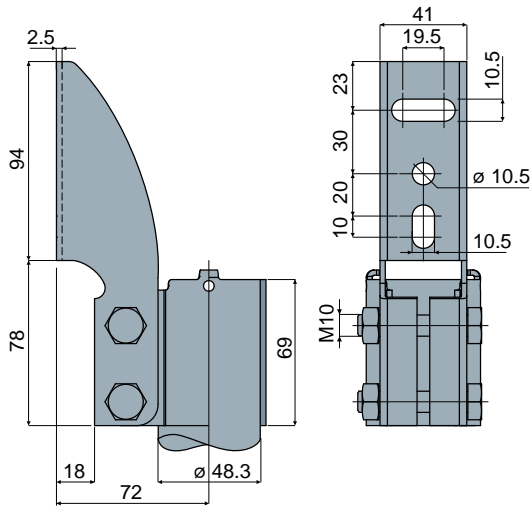
BOX QUANTITY: 8 pieces.

ON REQUEST:

- Top brackets: In reinforced polypropylene, other colours.
- Box quantity: According to your request.
- Assembling of: Bolts and nuts.

Bearing heads

Part. 409 Side mounting top bracket



Code
409 / 84440

MATERIALS: Top bracket bolts and nuts made of stainless steel AISI 304.

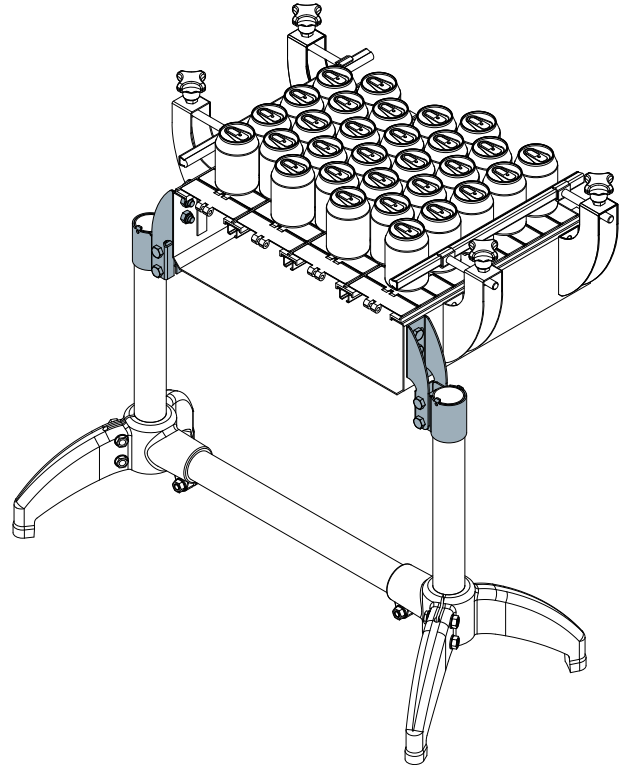
FEATURES: Supplied complete with bolts and nuts.

BOX QUANTITY: 8 pieces.

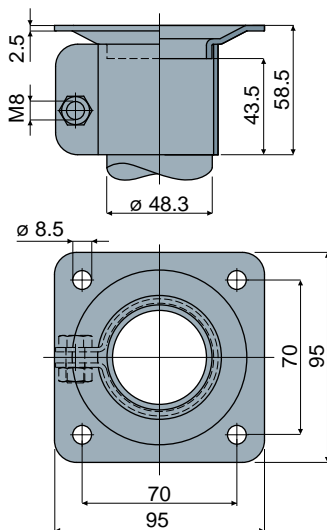
ON REQUEST:

- Box quantity: According to your request.
- Assembly of: Bolts and nuts.

Example of application



Part. 402 Bearing head



Code
402 / 84324

MATERIALS: Bearing head bolts and nuts made of stainless steel AISI 304.

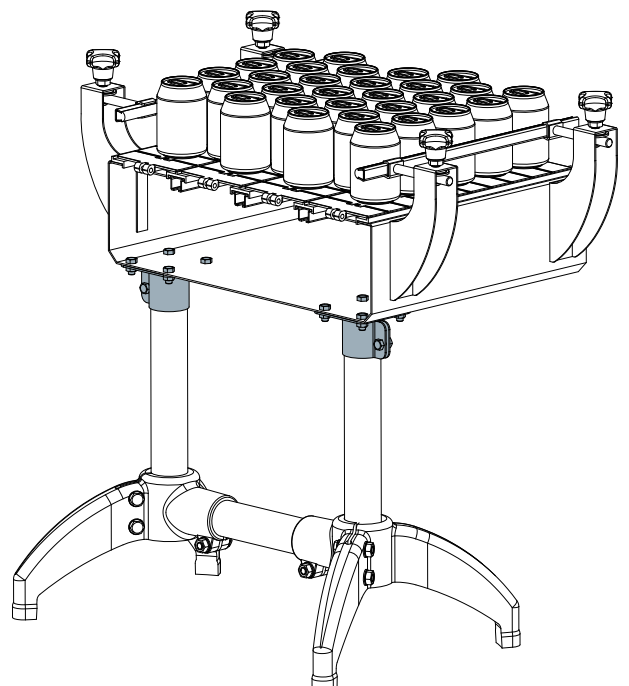
FEATURES: Supplied complete with bolts and nuts.

BOX QUANTITY: 8 pieces.

ON REQUEST:

- Box quantity: According to your request.
- Assembly of: Bolts and nuts.

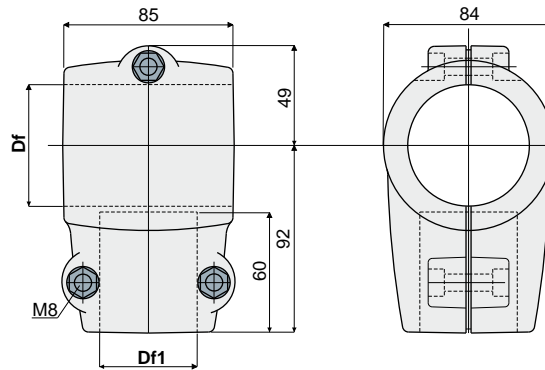
Example of application



Connecting joints

Connection joint for round tubes

Part. **210**



Df		Df1		Zinc plated bolts and nuts	Stainless steel AISI 304 bolts and nuts
Bore for tubes of (mm)	(Inches)	Bore for tubes of (mm)	(Inches)	Code	Code
60,3	2"	48,3	1" 1/2	210 / 80638	210 / 80639
60,3	2"	42,4	1" 1/4	210 / 80640	210 / 80641
48,3	1" 1/2	48,3	1" 1/2	210 / 80642	210 / 80643
48,3	1" 1/2	42,4	1" 1/4	210 / 80644	210 / 80645
42,4	1" 1/4	42,4	1" 1/4	210 / 80646	210 / 80647

MATERIALS: Joint made of reinforced polyamide black colour; bolts and nuts made of stainless steel AISI 304 or zinc plated steel.

FEATURES: Max tightening torque 2 Kg·m.

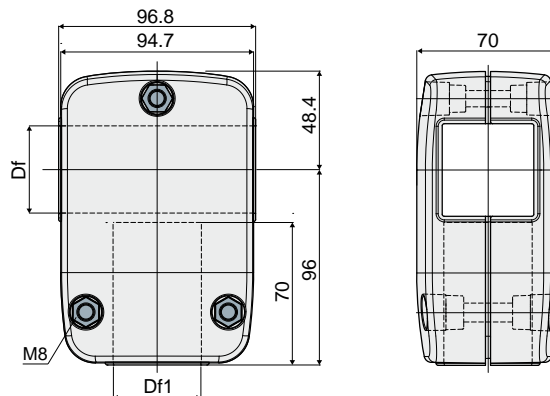
BOX QUANTITY: 8 pieces.

ON REQUEST:

- Joints: In reinforced polypropylene, other colours.
- Box quantity: According to your request.
- Assembling of: Bolts and nuts.

Connection joint for square tubes

Part. **210**



Df	Df1	Zinc plated bolts and nuts	Stainless steel AISI 304 bolts and nuts
Bore for tubes of (mm)	Bore for tubes of (mm)	Code	Code
40x40	40x40	210 / 85114	210 / 85115
45x45	45x45	210 / 84132	210 / 84133

MATERIALS: Joint made of reinforced polyamide black colour; bolts and nuts made of stainless steel AISI 304 or zinc plated steel.

FEATURES: Max tightening torque 2 Kg·m.

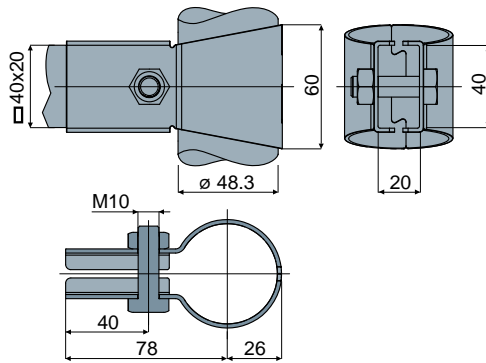
BOX QUANTITY: 8 pieces.

ON REQUEST:

- Joints: In reinforced polypropylene, other colours.
- Box quantity: According to your request.
- Assembling of: Bolts and nuts.

Connecting joints

Part. 403 Connection joint



Code
403 / 84325

MATERIALS: Joint, screw and nut made of stainless steel AISI 304.

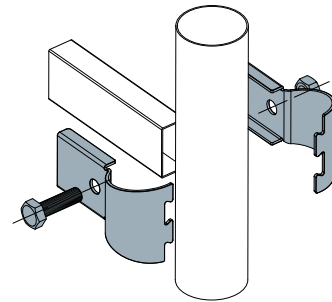
FEATURES: Supplied complete with bolts and nuts.

BOX QUANTITY: 8 pieces.

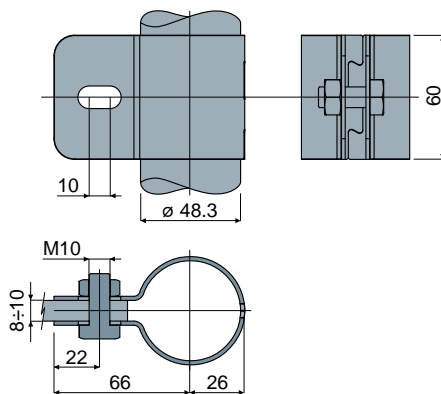
ON REQUEST:

- Box quantity: According to your request.
- Assembly of: Bolts and nuts.

Example of application



Part. 404 Connection joint



Code
404 / 84326

MATERIALS: Joint, screw and nut made of stainless steel AISI 304.

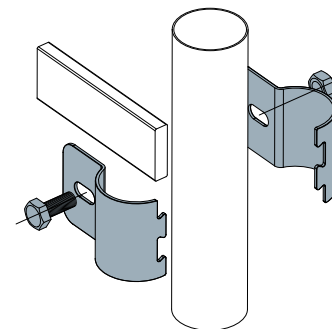
FEATURES: Supplied complete with bolts and nuts.

BOX QUANTITY: 8 pieces.

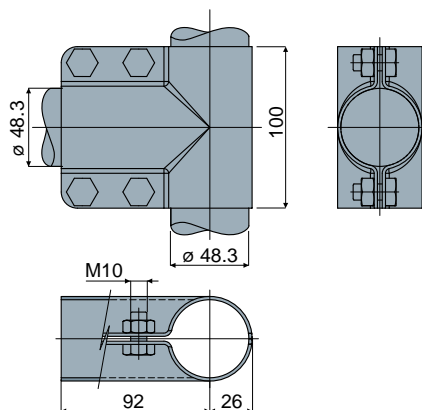
ON REQUEST:

- Box quantity: According to your request.
- Assembly of: Bolts and nuts.

Example of application



Part. 401 Connection joint



Code
401 / 84323

MATERIALS: Joint, screws and nuts made of stainless steel AISI 304.

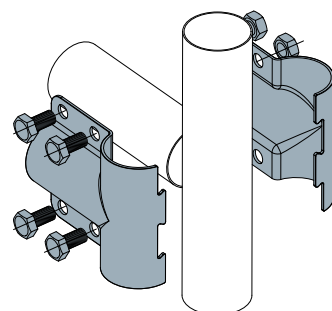
FEATURES: Supplied complete with bolts and nuts.

BOX QUANTITY: 8 pieces.

ON REQUEST:

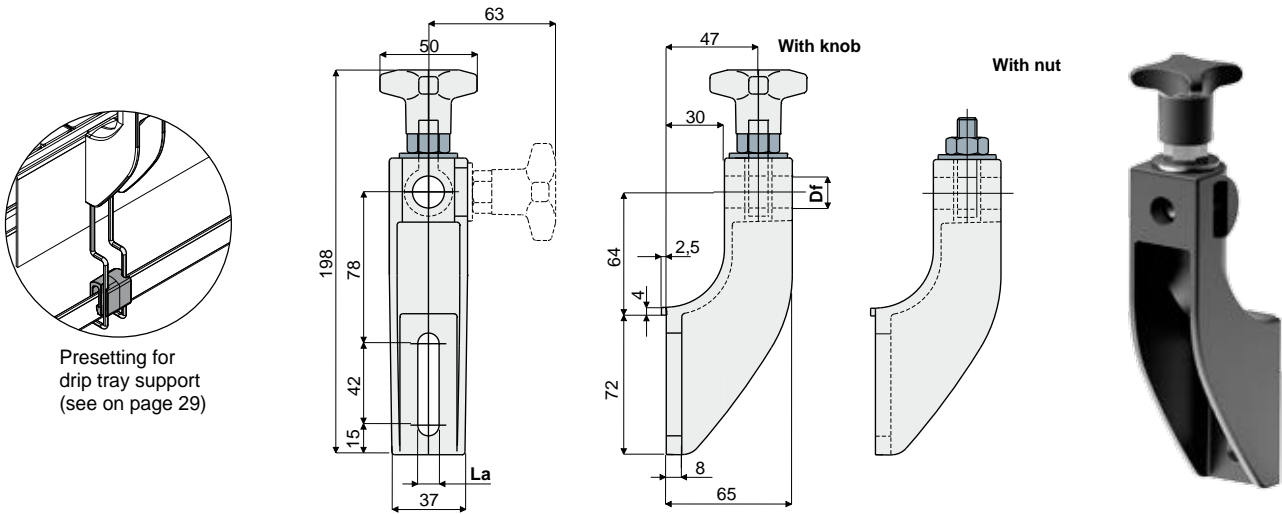
- Box quantity: According to your request.
- Assembly of: Bolts and nuts.

Example of application



Guide rail brackets

Guide rail bracket Part. 213



Df Bore for pin of (mm)	La (9 mm slot)	
	With knob Code	With nut Code
12	213 / 81176	213 / 82105
14	213 / 82102	213 / 82107
16	213 / 82104	213 / 82109

Df Bore for pin of (mm)	La (11 mm slot)	
	With knob Code	With nut Code
12	213 / 80652	213 / 80653
14	213 / 80654	213 / 80655
16	213 / 80656	213 / 80657

MATERIALS: Bracket and knob made of reinforced polyamide black colour; hexagonal insert made of nickel plated brass; eyebolt, nut and washer made of stainless steel AISI 304.

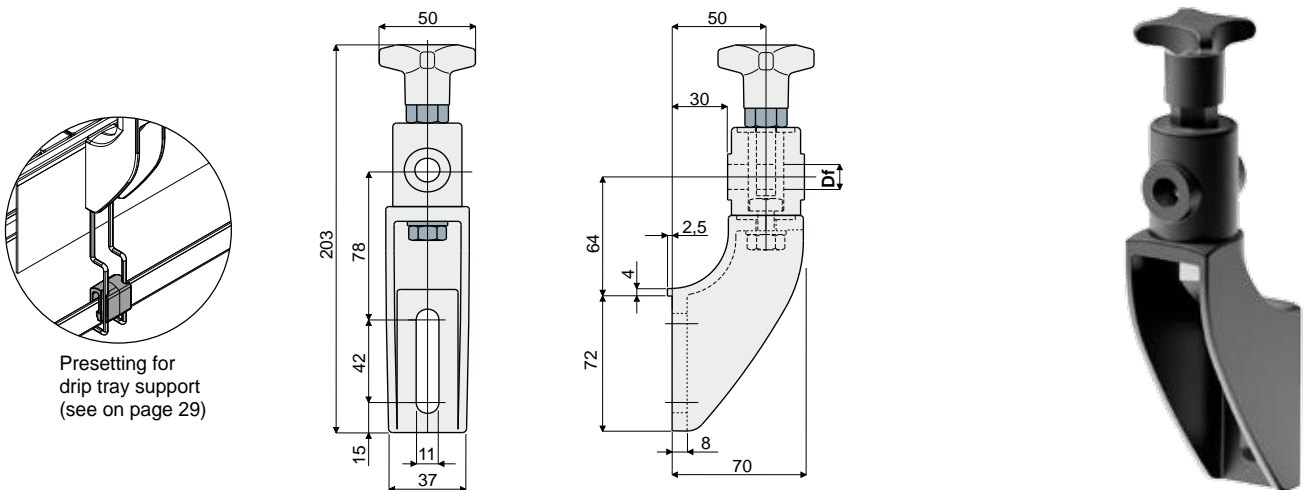
FEATURES: Max tightening torque 4 Kg·m.

BOX QUANTITY: 24 pieces.

ON REQUEST:

- Brackets: In reinforced polypropylene, other colours.
- Box quantity: According to your request.

Guide rail bracket Part. 214 (with adjustable head)



Df Bore for pin of (mm)	Code
12	214 / 80755
14	214 / 80756
16	214 / 80757

MATERIALS: Bracket and knob made of reinforced polyamide black colour; hexagonal insert made of nickel plated brass; eyebolt, screw, nut and washers made of stainless steel AISI 304.

FEATURES: Max tightening torque 4 Kg·m.

BOX QUANTITY: 24 pieces.

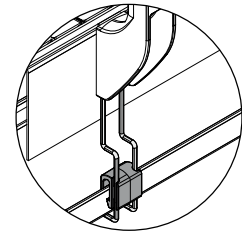
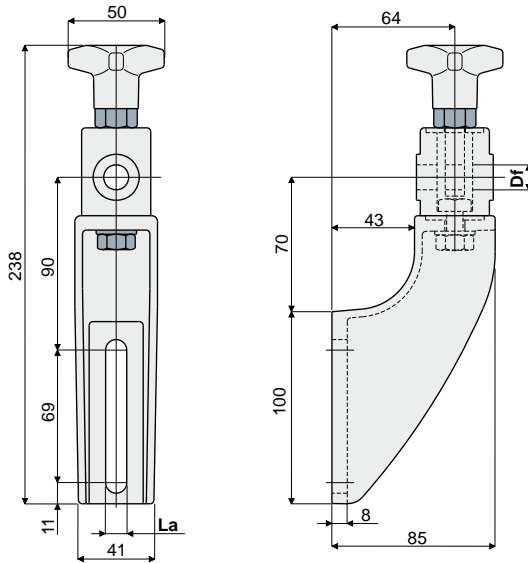
ON REQUEST:

- Brackets: In reinforced polypropylene, other colours.
- Box quantity: According to your request.

Guide rail brackets

Part. 215

Guide rail bracket (with adjustable head)



Presetting for drip tray support (see on page 29)

Df Bore for pin of (mm)	La (9 mm slot) Code	La (11 mm slot) Code
12	215 / 82106	215 / 80658
14	215 / 82108	215 / 80659
16	215 / 82110	215 / 80660

MATERIALS: Bracket and knob made of reinforced polyamide black colour; hexagonal insert made of nickel plated brass; eyebolt, screw, nut and washers made of stainless steel AISI 304.

FEATURES: Max tightening torque 4 Kg-m.

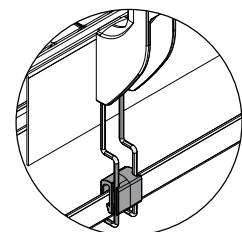
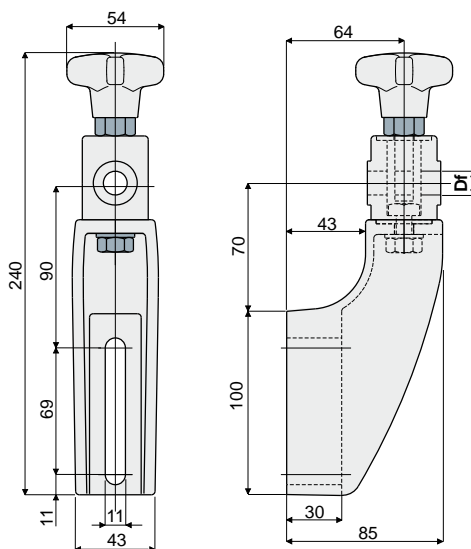
BOX QUANTITY: 24 pieces.

ON REQUEST:

- Brackets: In reinforced polypropylene, other colours.
- Box quantity: According to your request.

Part. 243

Guide rail bracket (reinforced type with adjustable head)



Presetting for drip tray support (see on page 29)

Df Bore for pin of (mm)	Code
12	243 / 81003
14	243 / 81004
16	243 / 81005

MATERIALS: Bracket and knob made of reinforced polyamide black colour; hexagonal insert made of nickel plated brass; eyebolt, screw, nut and washers made of stainless steel AISI 304.

FEATURES: To be used for heavy applications, suitable in conveyors with more ways, both in accumulation and curve. Max tightening torque 4 Kg-m.

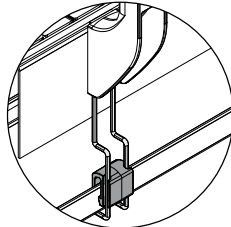
BOX QUANTITY: 24 pieces.

ON REQUEST:

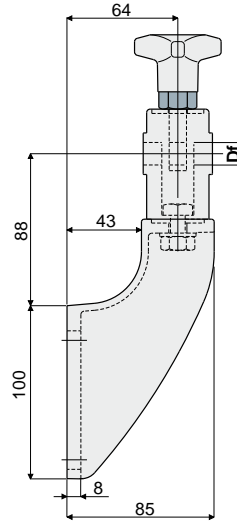
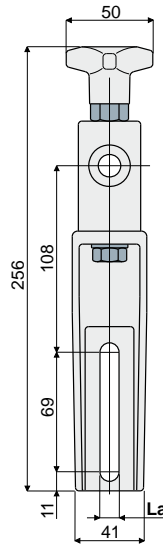
- Brackets: In reinforced polypropylene, other colours.
- Box quantity: According to your request.

Guide rail brackets

Guide rail bracket (with adjustable high type head) Part. **280**



Presetting for drip tray support (see on page 29)



Df Bore for pin of (mm)	La (9 mm slot) Code	La (11 mm slot) Code
12	280 / 82150	280 / 82127
14	280 / 82151	280 / 82128
16	280 / 82152	280 / 82129

MATERIALS: Bracket and knob made of reinforced polyamide black colour; hexagonal insert made of nickel plated brass; eyebolt, screw, nut and washers made of stainless steel AISI 304.

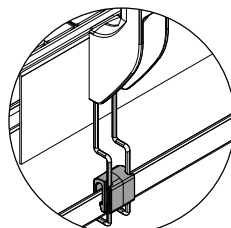
FEATURES: Max tightening torque 4 Kg·m.

BOX QUANTITY: 24 pieces.

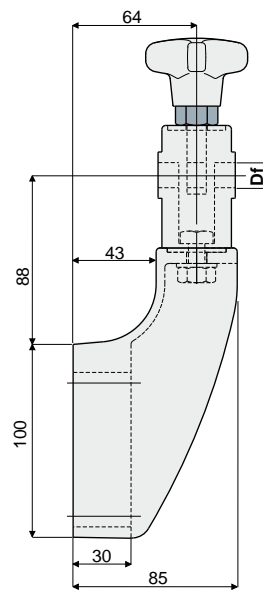
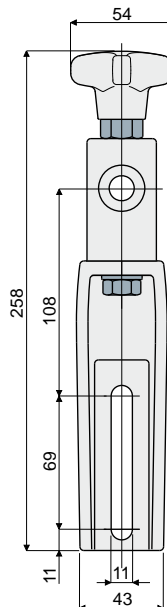
ON REQUEST:

- **Brackets:** In reinforced polypropylene, other colours.
- **Box quantity:** According to your request.

Guide rail bracket (reinforced type with adjustable high type head) Part. **281**



Presetting for drip tray support (see on page 29)



Df Bore for pin of (mm)	Code
12	281 / 82130
14	281 / 82131
16	281 / 82132

MATERIALS: Bracket and knob made of reinforced polyamide black colour; hexagonal insert made of nickel plated brass; eyebolt, screw, nut and washers made of stainless steel AISI 304.

FEATURES: To be used for heavy applications, suitable in conveyors with more ways, both in accumulation and curve. Max tightening torque 4 Kg·m.

BOX QUANTITY: 24 pieces.

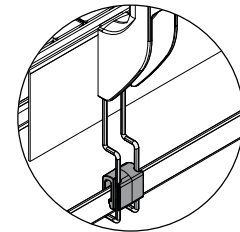
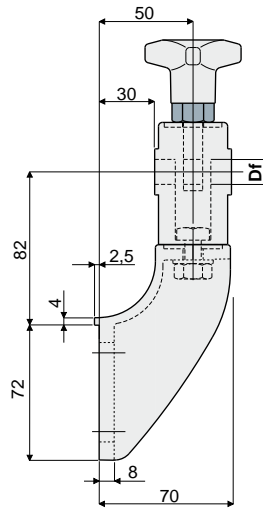
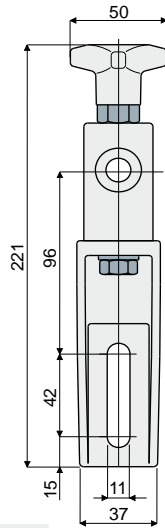
ON REQUEST:

- **Brackets:** In reinforced polypropylene, other colours.
- **Box quantity:** According to your request.

Guide rail brackets

Guide rail bracket (with adjustable head)

Part. **279**



Presetting for drip tray support (see on page 29)

Df Bore for pin of (mm)	Code
12	279 / 82124
14	279 / 82125
16	279 / 82126

MATERIALS: Bracket and knob made of reinforced polyamide black colour; hexagonal insert made of nickel plated brass; eyebolt, screw, nut and washer made of stainless steel AISI 304.

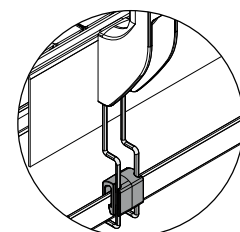
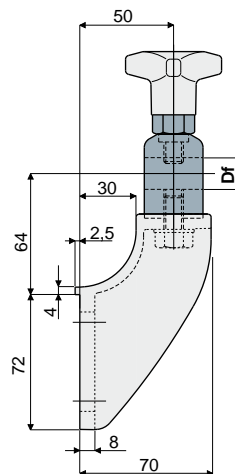
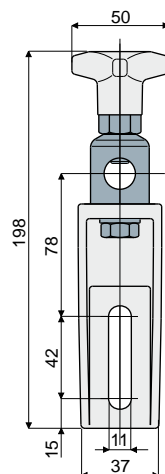
FEATURES: Max tightening torque 4 Kg-m.

BOX QUANTITY: 24 pieces.

ON REQUEST:

- Brackets: In reinforced polypropylene, other colours.
- Box quantity: According to your request.

Part. **216** Guide rail bracket (with metal adjustable head)



Presetting for drip tray support (see on page 29)

Df Bore for pin of (mm)	Code
14 - 16	216 / 80759

MATERIALS: Bracket and knob made out of reinforced polyamide black colour; head made out of stainless steel AISI 304; hexagonal insert made out of nickel plated brass; screw and washer made out of stainless steel AISI 304.

FEATURES: Possibility to use pins with diameter 14 and 16 mm. Max tightening torque 4 Kg-m.

BOX QUANTITY: 24 pieces.

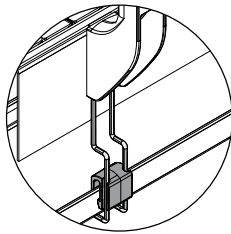
ON REQUEST:

- Brackets: In reinforced polypropylene, other colours.
- Box quantity: According to your request.

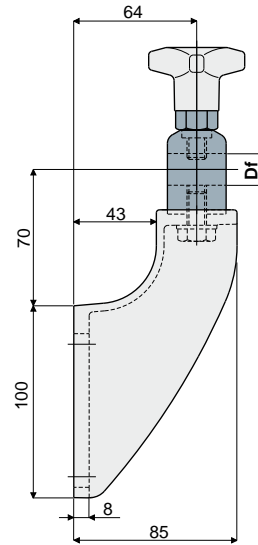
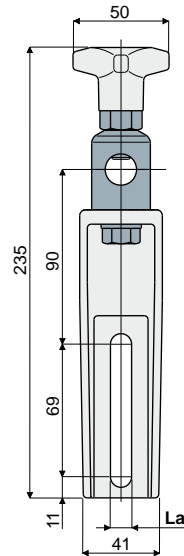
Guide rail brackets

Guide rail bracket (with metal adjustable head)

Part. **218**



Presetting for drip tray support (see on page 29)



La (9 mm slot)		La (11 mm slot)	
Df	Code	Df	Code
Bore for pin of (mm)		Bore for pin of (mm)	
14 - 16	218 / 82113	14 - 16	218 / 80663

MATERIALS: Bracket and knob made out of reinforced polyamide black colour; head made out of stainless steel AISI 304; hexagonal insert made out of nickel plated brass; screw and washer made out of stainless steel AISI 304.

FEATURES: Possibility to use pins with diameter 14 and 16 mm. Max tightening torque 4 Kg-m.

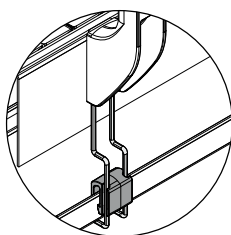
BOX QUANTITY: 24 pieces.

ON REQUEST:

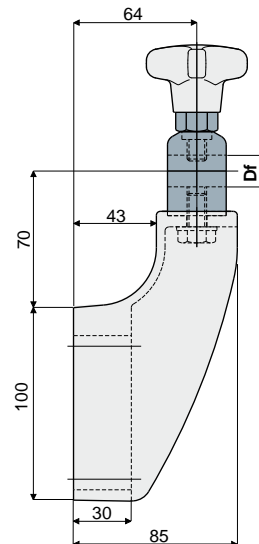
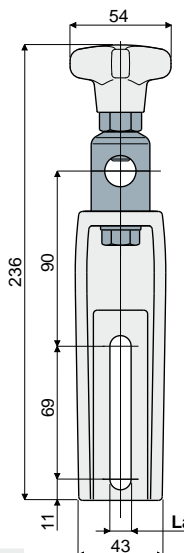
- **Brackets:** In reinforced polypropylene, other colours.
- **Box quantity:** According to your request.

Guide rail bracket (reinforced type with metal adjustable head)

Part. **244**



Presetting for drip tray support (see on page 29)



La (9 mm slot)		La (11 mm slot)	
Df	Code	Df	Code
Bore for pin of (mm)		Bore for pin of (mm)	
14 - 16	244 / 87159	14 - 16	244 / 81007

MATERIALS: Bracket and knob made out of reinforced polyamide black colour; head made out of stainless steel AISI 304; hexagonal insert made out of nickel plated brass; screw and washer made out of stainless steel AISI 304.

FEATURES: To be used for heavy applications, suitable in conveyors with more ways, both in accumulation and curve. Possibility to use pins with diameter 14 and 16 mm. Max tightening torque 4 Kg-m.

BOX QUANTITY: 24 pieces.

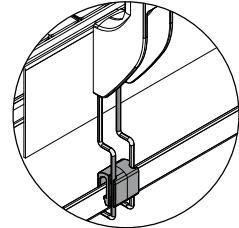
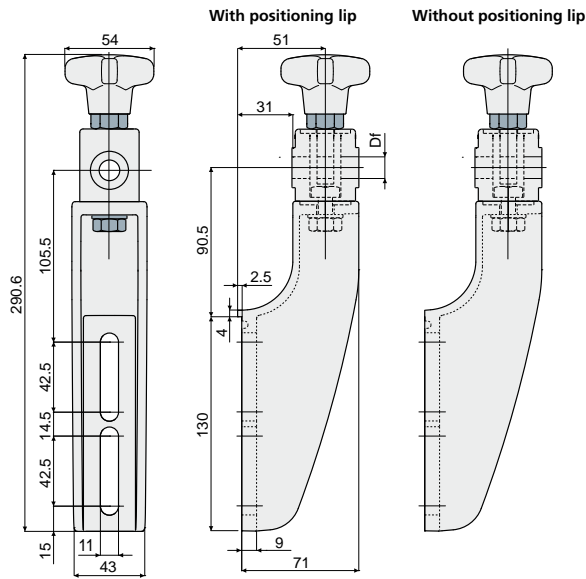
ON REQUEST:

- **Brackets:** In reinforced polypropylene, other colours.
- **Box quantity:** According to your request.

Guide rail brackets

Guide rail bracket (reinforced type with adjustable head)

Part. **488**



Presetting for drip tray support (see on page 29)

Df Bore for pin of (mm)	With positioning lip Code	Without positioning lip Code
12	488 / 86193	488 / 86194
14	488 / 86195	488 / 86196
16	488 / 86197	488 / 86198

MATERIALS: Bracket and knob made of reinforced polyamide black colour; hexagonal insert made of nickel plated brass; eyebolt, screw, nut and washers made of stainless steel AISI 304.

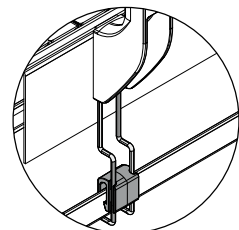
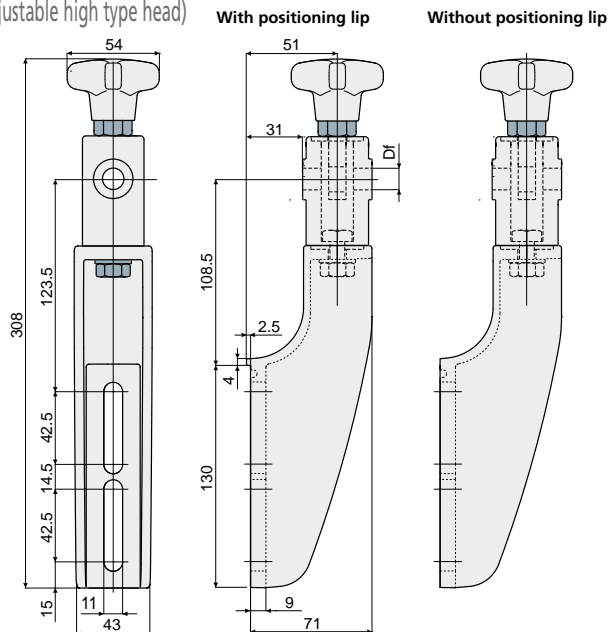
FEATURES: Max tightening torque 4 Kg-m.

BOX QUANTITY: 24 pieces.

ON REQUEST:

- Brackets: In reinforced polypropylene, other colours.
- Box quantity: According to your request.

Part. **489** Guide rail bracket (reinforced type with adjustable high type head)



Presetting for drip tray support (see on page 29)

Df Bore for pin of (mm)	With positioning lip Code	Without positioning lip Code
12	489 / 86199	489 / 87000
14	489 / 87001	489 / 87002
16	489 / 87003	489 / 87004

MATERIALS: Bracket and knob made of reinforced polyamide black colour; hexagonal insert made of nickel plated brass; eyebolt, screw, nut and washers made of stainless steel AISI 304.

FEATURES: Max tightening torque 4 Kg-m.

BOX QUANTITY: 24 pieces.

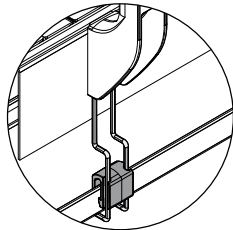
ON REQUEST:

- Brackets: In reinforced polypropylene, other colours.
- Box quantity: According to your request.

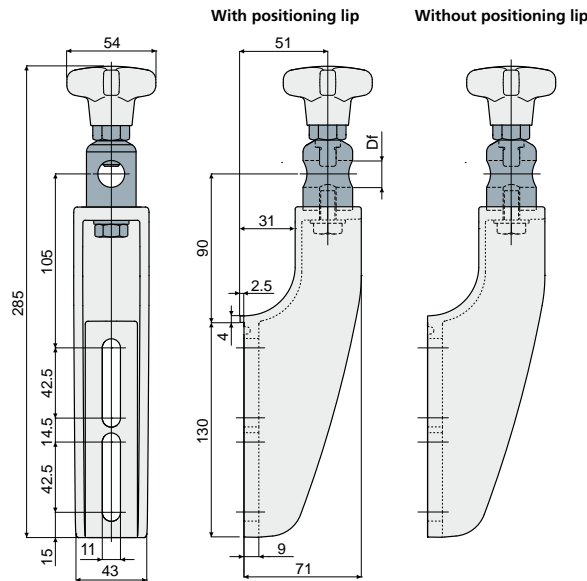
Guide rail brackets

Guide rail bracket (reinforced type with metal adjustable head)

Part. **490**



Presetting for drip tray support (see on page 29)



Df Bore for pin of (mm)	With positioning lip Code	Without positioning lip Code
16	490 / 87005	490 / 87006

MATERIALS: Bracket and knob made of reinforced polyamide black colour; head made out of stainless steel AISI 304; hexagonal insert made of nickel plated brass; eyebolt and washer made of stainless steel AISI 304.

FEATURES: Max tightening torque 4 Kg-m.

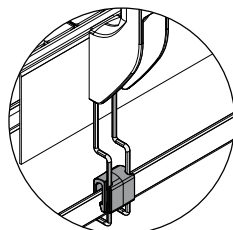
BOX QUANTITY: 24 pieces.

ON REQUEST:

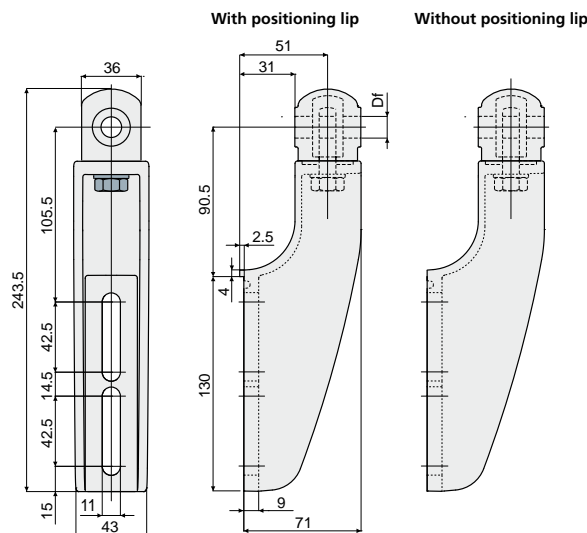
- Brackets: In reinforced polypropylene, other colours.
- Box quantity: According to your request.

Guide rail bracket (reinforced type with adjustable head)

Part. **491**



Presetting for drip tray support (see on page 29)



Df Bore for pin of (mm)	With positioning lip Code	Without positioning lip Code
12	491 / 87007	491 / 87008
14	491 / 87009	491 / 87010
16	491 / 87011	491 / 87012

MATERIALS: Bracket and knob made of reinforced polyamide black colour; hexagonal insert made of nickel plated brass; eyebolt, nut and washer made of stainless steel AISI 304.

FEATURES: Max tightening torque 4 Kg-m.

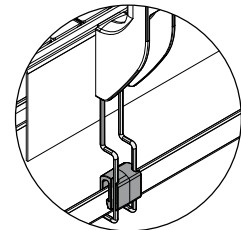
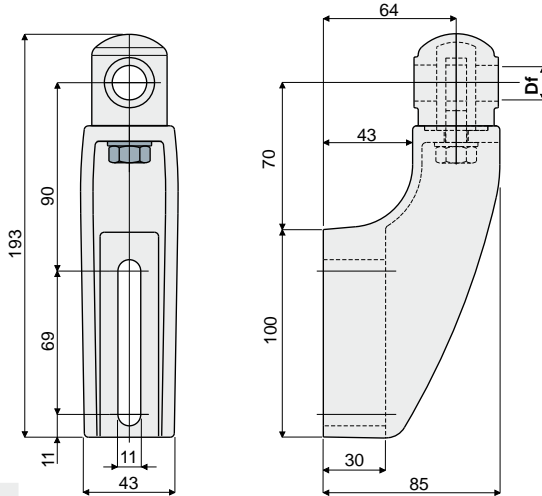
BOX QUANTITY: 24 pieces.

ON REQUEST:

- Brackets: In reinforced polypropylene, other colours.
- Box quantity: According to your request.

Guide rail brackets

Part. 255 Guide rail bracket (reinforced type with adjustable head)



Presetting for drip tray support (see on page 29)

Df Bore for pin of (mm)	Code
12	255 / 81008
14	255 / 81009
16	255 / 81010

MATERIALS: Bracket and head made of reinforced polyamide black colour; eyebolt, nut and washer made of stainless steel AISI 304.

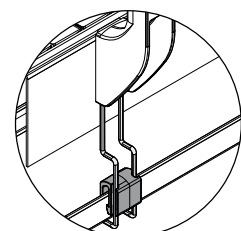
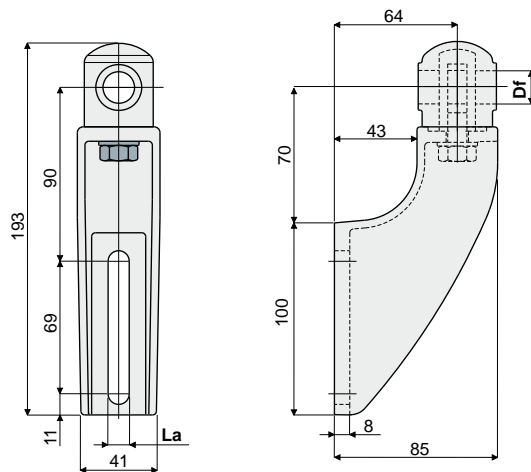
FEATURES: To be used for heavy applications, suitable in conveyors with more ways, both in accumulation and curve. Max tightening torque 4 Kg·m.

BOX QUANTITY: 24 pieces.

ON REQUEST:

- Brackets: In reinforced polypropylene, other colours.
- Box quantity: According to your request.

Part. 219 Guide rail bracket (with adjustable head)



Presetting for drip tray support (see on page 29)

Df Bore for pin of (mm)	La (9 mm slot) Code	La (11 mm slot) Code
12	219 / 82114	219 / 80664
14	219 / 82115	219 / 80665
16	219 / 82116	219 / 80666

MATERIALS: Bracket and head made of reinforced polyamide black colour; eyebolt, nut and washer made of stainless steel AISI 304.

FEATURES: Max tightening torque 4 Kg·m.

BOX QUANTITY: 24 pieces.

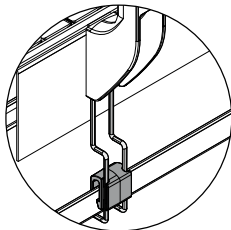
ON REQUEST:

- Brackets: In reinforced polypropylene, other colours.
- Box quantity: According to your request.

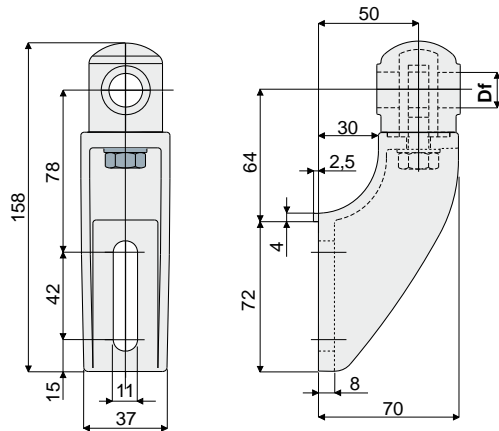
Guide rail brackets

Guide rail bracket (with adjustable head)

Part. **217**



Presetting for
drip tray support
(see on page 29)



Df Bore for pin of (mm)	Code
12	217 / 80760
14	217 / 80761
16	217 / 80762

MATERIALS: Bracket and head made of reinforced polyamide black colour; eyebolt, nut and washer made of stainless steel AISI 304.

FEATURES: Max tightening torque 4 Kg·m.

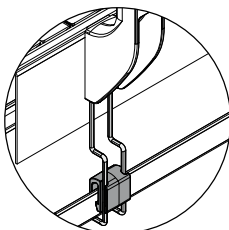
BOX QUANTITY: 24 pieces.

ON REQUEST:

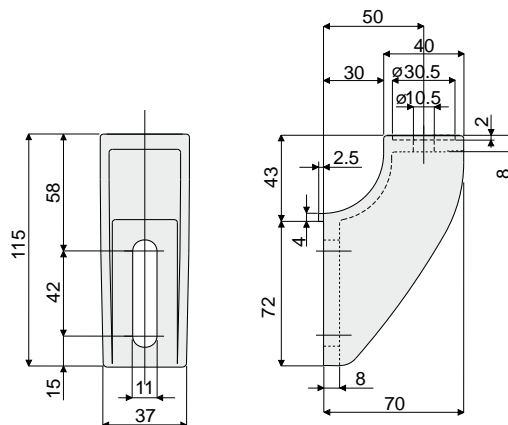
- **Brackets:** In reinforced polypropylene, other colours.
- **Box quantity:** According to your request.

Guide rail bracket (for adjustable heads)

Part. **209**



Presetting for
drip tray support
(see on page 29)



Code
209 / 80754

MATERIALS: Bracket made out of reinforced polyamide black colour.

FEATURES: To be used with heads Part.221, 222, 223 and 266.

BOX QUANTITY: 24 pieces.

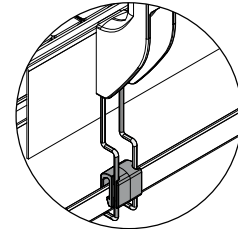
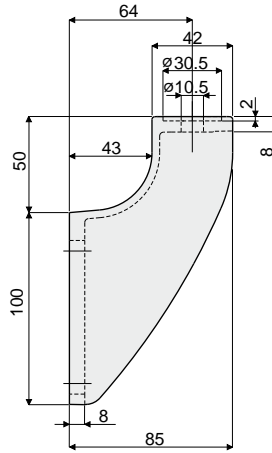
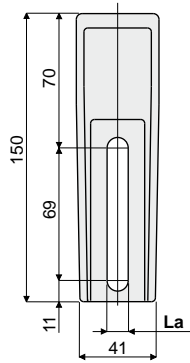
ON REQUEST:

- **Brackets:** In reinforced polypropylene, other colours.
- **Box quantity:** According to your request.

Guide rail brackets

Part. 220

Guide rail bracket (for adjustable heads)



Presetting for
drip tray support
(see on page 29)

La (9 mm slot)	La (11 mm slot)
Code	Code
220 / 82111	220 / 80667

MATERIALS: Bracket made out of reinforced polyamide black colour.

FEATURES: To be used with heads Part.221, 222, 223 and 266.

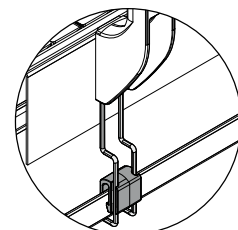
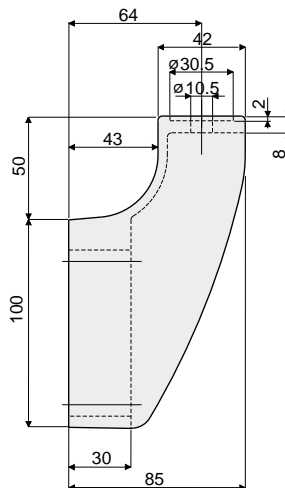
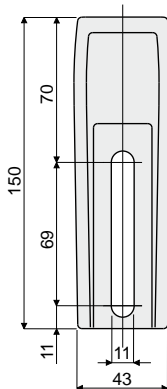
BOX QUANTITY: 24 pieces.

ON REQUEST:

- Brackets: In reinforced polypropylene, other colours.
- Box quantity: According to your request.

Part. 242

Guide rail bracket (reinforced type for adjustable head)



Presetting for
drip tray support
(see on page 29)

Code
242 / 81002

MATERIALS: Bracket made of reinforced polyamide black colour.

FEATURES: To be used with heads Part.221, 222, 223 and 266 for heavy applications. Suitable in conveyors with more ways, both in accumulation and curve.

BOX QUANTITY: 24 pieces.

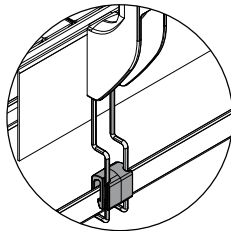
ON REQUEST:

- Brackets: In reinforced polypropylene, other colours.
- Box quantity: According to your request.

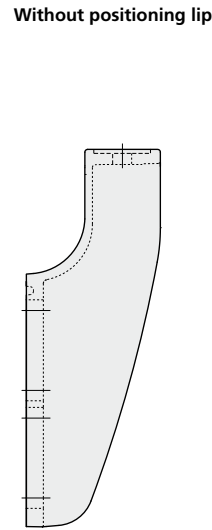
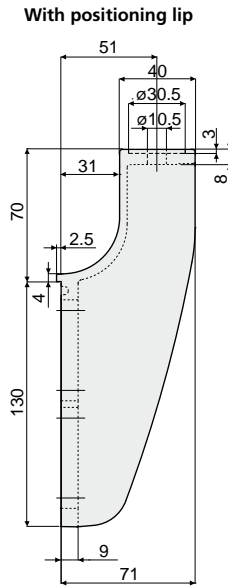
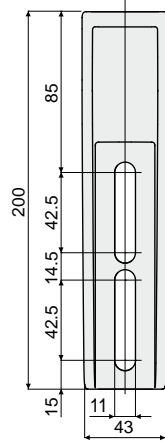
Guide rail brackets

Guide rail bracket (reinforced type for adjustable heads)

Part. **486**



Presetting for drip tray support (see on page 29)



With positioning lip	Without positioning lip
Code	Code
486 / 86189	486 / 86190

MATERIALS: Bracket made out of reinforced polyamide black colour.

FEATURES: To be used with heads Part.221, 222, 223 and 266.

BOX QUANTITY: 24 pieces.

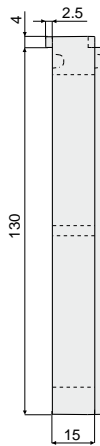
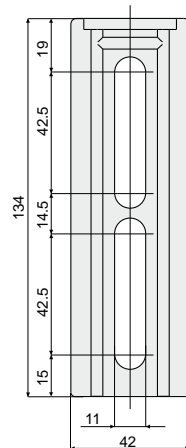
ON REQUEST:

- Brackets: In reinforced polypropylene, other colours.
- Box quantity: According to your request.

Spacer for bracket Part. **487**

With positioning lip

Without positioning lip



With positioning lip	Without positioning lip
Code	Code
487 / 86191	487 / 86192

MATERIALS: Spacer made of reinforced polyamide black colour.

FEATURES: Accessory to be used with brackets Part.486, 488, 489, 490, 491.

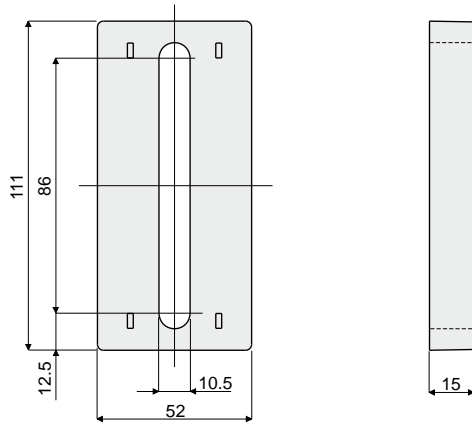
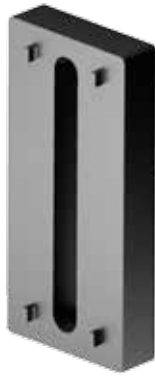
BOX QUANTITY: 24 pieces.

ON REQUEST:

- Spacers: In reinforced polypropylene, other colours.
- Box quantity: According to your request.

Guide rail brackets

Part. 224 Spacer for bracket



Code
224 / 80676

MATERIALS: Spacer made of reinforced polyamide black colour.

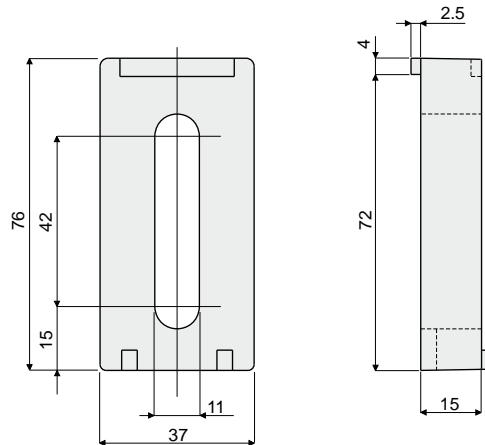
FEATURES: Accessory to be used with brackets Part.215, 218, 219, 220, 242, 243, 244, 255, 280, 281.

BOX QUANTITY: 24 pieces.

ON REQUEST:

- Spacers: In reinforced polypropylene, other colours.
- Box quantity: According to your request.

Part. 225 Spacer for bracket



Code
225 / 80677

MATERIALS: Spacer made of reinforced polyamide black colour.

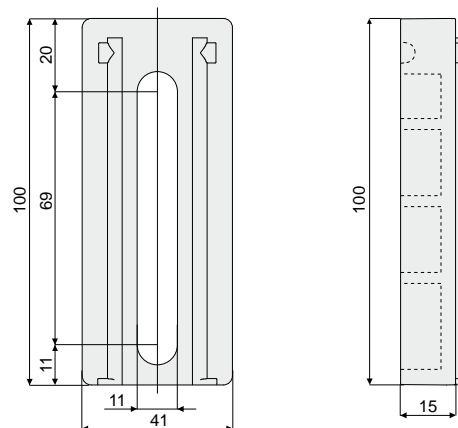
FEATURES: Accessory to be used with brackets Part.213, 214, 216, 217, 209, 279.

BOX QUANTITY: 24 pieces.

ON REQUEST:

- Spacers: In reinforced polypropylene, other colours.
- Box quantity: According to your request.

Part. 530 Spacer for bracket



Code
530 / 87752

MATERIALS: Spacer made of reinforced polyamide black colour.

FEATURES: Accessory to be used with brackets Part.215, 218, 219, 220, 242, 243, 244, 255, 280, 281.

BOX QUANTITY: 24 pieces.

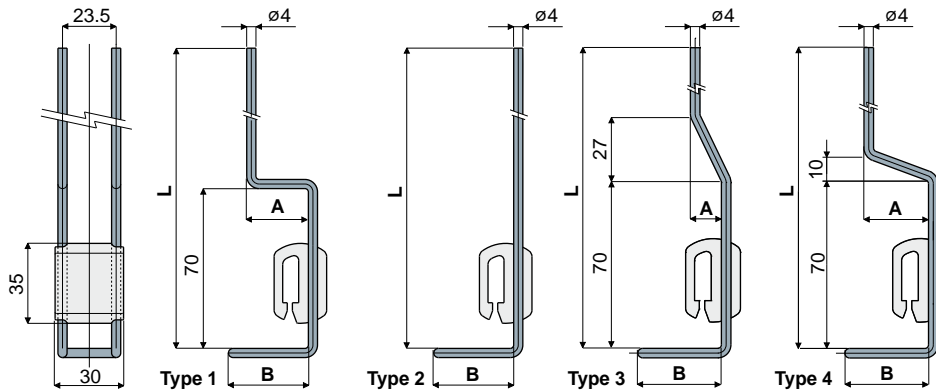
ON REQUEST:

- Spacers: In reinforced polypropylene, other colours.
- Box quantity: According to your request.

Guide rail brackets

Drip tray support

Part. **236**



L (mm)	B (mm)	A (mm)	Type 1 Code
180	35	27	236 / 80779
180	35	17	236 / 81012
230	35	27	236 / 82683
310	35	18	236 / 88679

NEW

L (mm)	B (mm)	Type 2 Code
200	35	236 / 80780
246	35	236 / 81013

L (mm)	B (mm)	A (mm)	Type 3 Code
250	35	13	236 / 82640

L (mm)	B (mm)	A (mm)	Type 4 Code
280	35	27	236 / 82949

MATERIALS: Support elements made of stainless steel AISI 304; body of coupling made of reinforced polyamide black colour.

FEATURES: To be used to support drip trays.

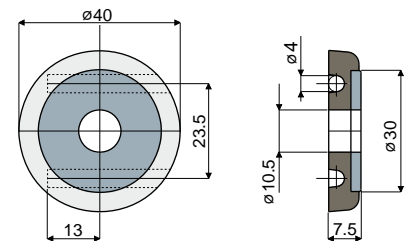
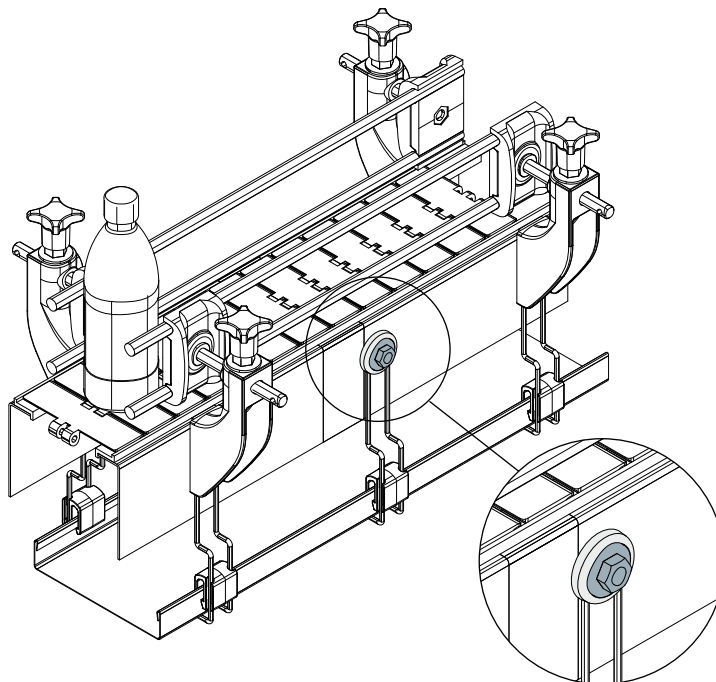
BOX QUANTITY: 24 pieces.

ON REQUEST:

- Drip tray supports: Supplied in different shapes and sizes.
- Box quantity: According to your request.

Mounting plate (for drip tray support)

Part. **235**



Code
235 / 80778

Example of application

MATERIALS: Plate made of reinforced polyamide black colour; washer made of stainless steel AISI 304.

FEATURES: For application on conveyor side to fasten drip tray support.

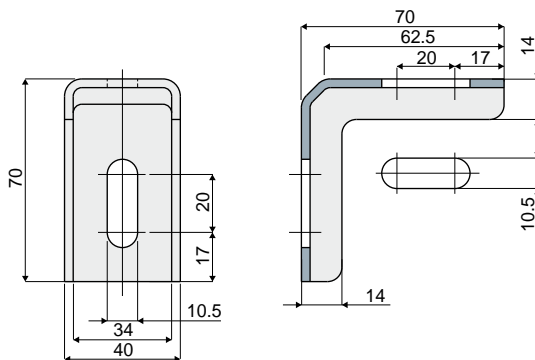
BOX QUANTITY: 24 pieces.

ON REQUEST:

- Box quantity: According to your request.

Guide rail brackets

Part. **387** **Bracket 90°**
(70 mm x 70 mm)



Code
387 / 84128

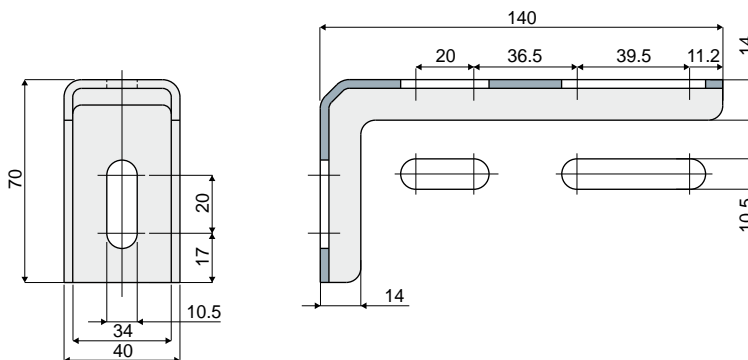
MATERIALS: Bracket in stainless steel AISI 304.

BOX QUANTITY: 24 pieces.

ON REQUEST:

- Box quantity: According to your request.

Part. **392** **Bracket 90°**
(70 mm x 140 mm)



Code
392 / 84130

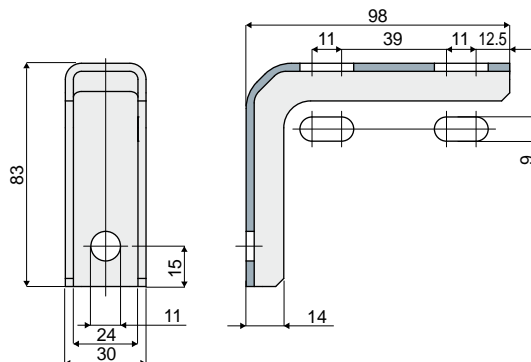
MATERIALS: Bracket in stainless steel AISI 304.

BOX QUANTITY: 24 pieces.

ON REQUEST:

- Box quantity: According to your request.

Part. **436** **Bracket 90°**
(83 mm x 98 mm)



Code
436 / 85215

MATERIALS: Bracket in stainless steel AISI 304.

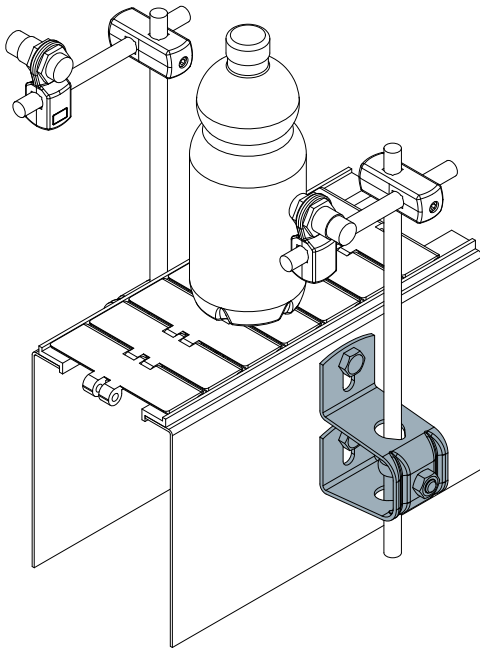
BOX QUANTITY: 24 pieces.

ON REQUEST:

- Box quantity: According to your request.

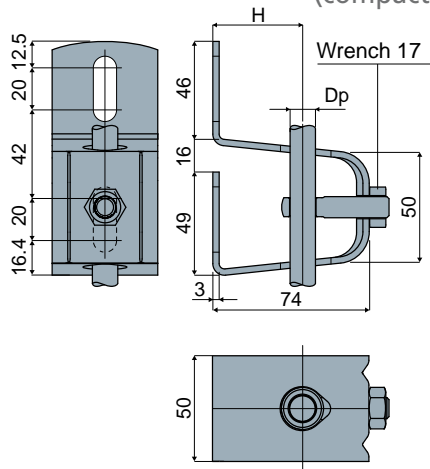
Guide rail brackets

Example of application



Guide rail bracket
(compact version)

Part. **408**



Dp Pin diameter (mm)	H (mm)	Code
12	49	408 / 84337
14	47	408 / 84338
16	46	408 / 84339
20	43	408 / 88698

NEW

MATERIALS: Bracket, eyebolt and nut made of stainless steel AISI 304.

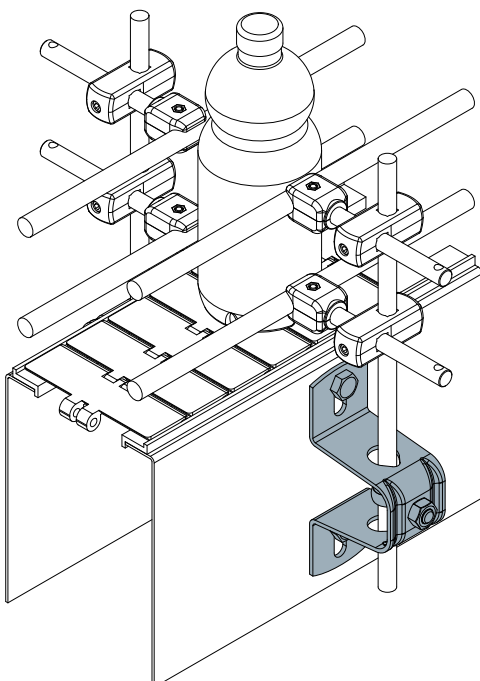
FEATURES: Supplied complete with bolts and nuts.

BOX QUANTITY: 8 pieces.

ON REQUEST:

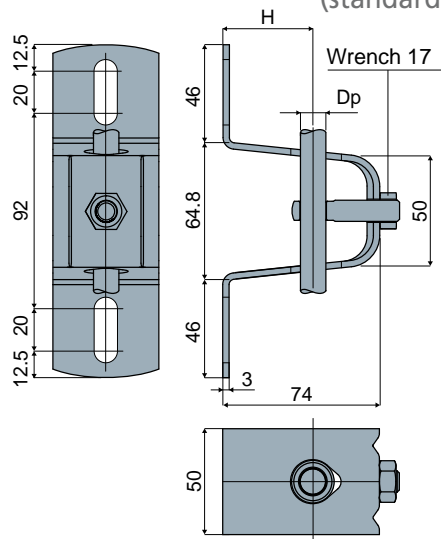
- Box quantity: According to your request.
- Assembly of: Eyebolts, nuts.

Example of application



Guide rail bracket
(standard version)

Part. **408**



Dp Pin diameter (mm)	H (mm)	Code
12	49	408 / 84334
14	47	408 / 84335
16	46	408 / 84336
20	43	408 / 88700

NEW

MATERIALS: Bracket, eyebolt and nut made of stainless steel AISI 304.

FEATURES: Supplied complete with bolts and nuts.

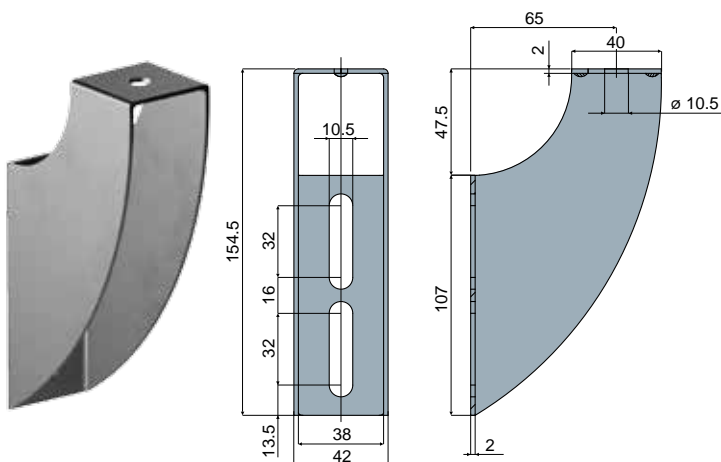
BOX QUANTITY: 8 pieces.

ON REQUEST:

- Box quantity: According to your request.
- Assembly of: Eyebolts, nuts.

Guide rail brackets

Part. 442 Guide rail bracket



Code

442 / 85242

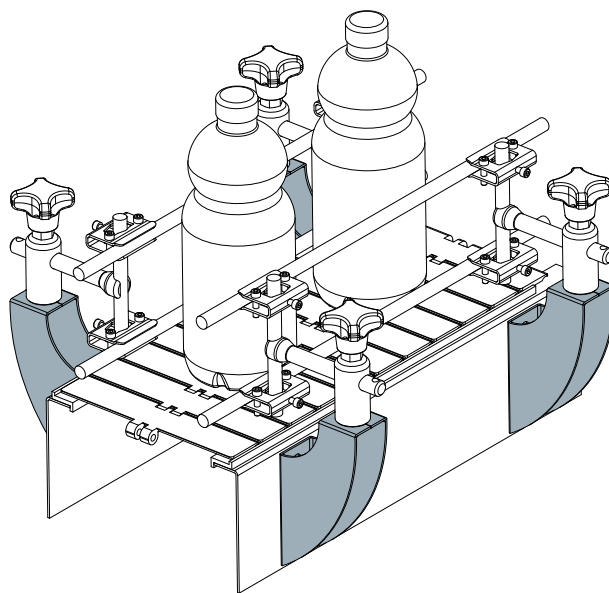
MATERIALS: Bracket made of stainless steel AISI 304.

BOX QUANTITY: 24 pieces.

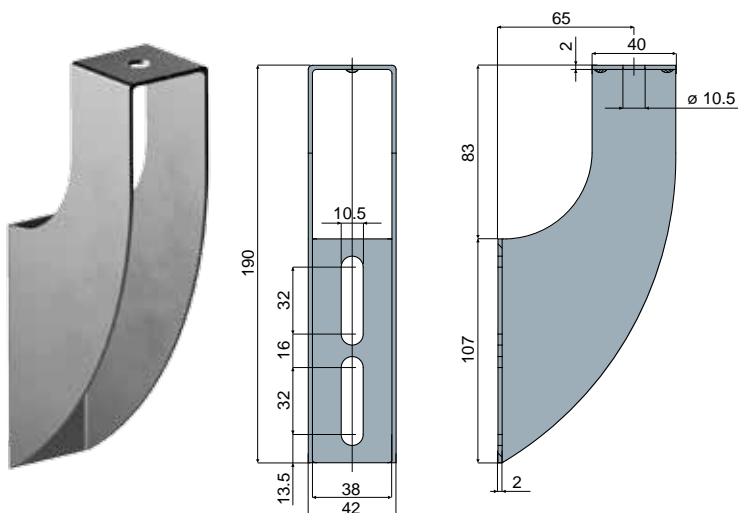
ON REQUEST:

- Box quantity: According to your request.

Example of application



Part. 441 Guide rail bracket



Code

441 / 85241

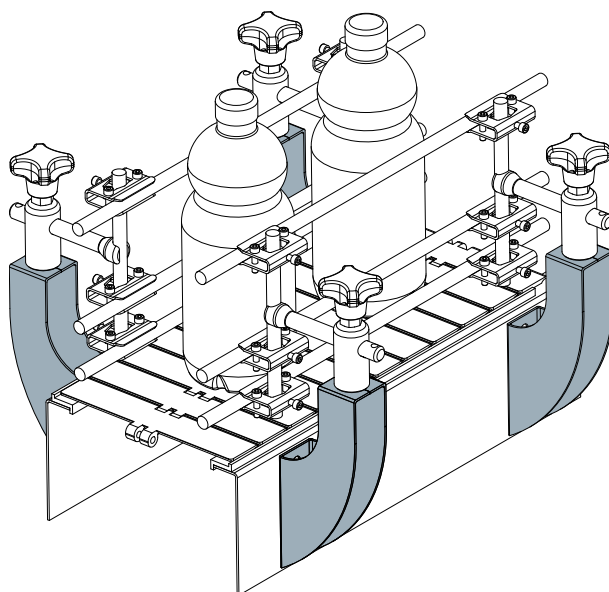
MATERIALS: Bracket made of stainless steel AISI 304.

BOX QUANTITY: 24 pieces.

ON REQUEST:

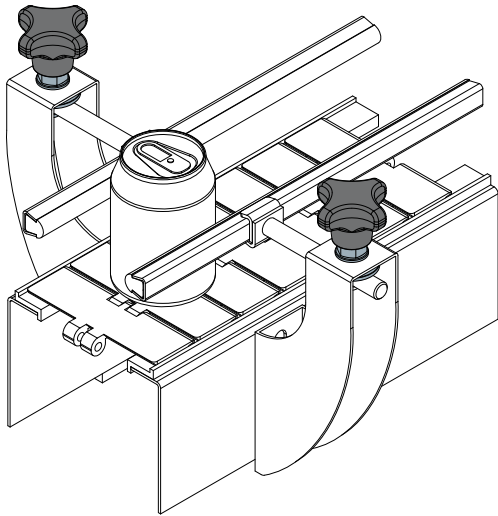
- Box quantity: According to your request.

Example of application



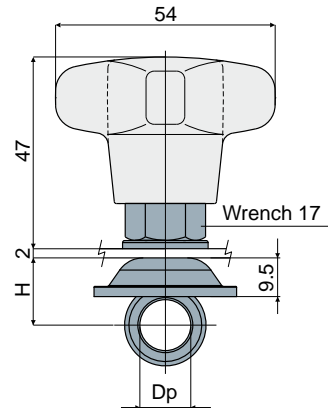
Tightening eyebolts

Example of application



Tightening eyebolt
(with knob)

Part. **406**



Dp Pin diameter (mm)	H (mm)	Code
12	15,5	406 / 84328
14	16,5	406 / 84329
16	17,5	406 / 84330

MATERIALS: Eyebolt and washers made of stainless steel AISI 304, threaded bushing in nickel plated brass; knob in reinforced polyamide black colour.

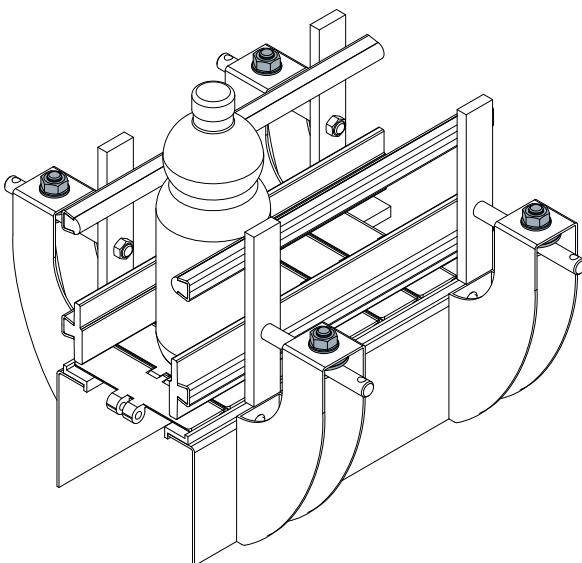
FEATURES: Supplied complete with bolts and nuts.

BOX QUANTITY: 24 pieces.

ON REQUEST:

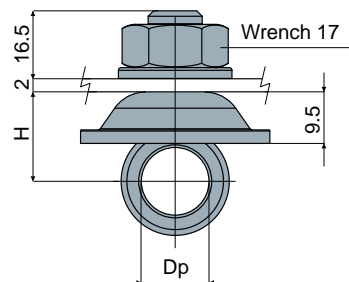
- Assembly of: Eyebolts, washers and nuts.
- Box quantity: According to your request.

Example of application



Tightening eyebolt
(with nut)

Part. **407**



Dp Pin diameter (mm)	H (mm)	Code
12	15,5	407 / 84331
14	16,5	407 / 84332
16	17,5	407 / 84333

MATERIALS: Eyebolt, washers and nuts made of stainless steel AISI 304.

FEATURES: Supplied complete with bolts and nuts.

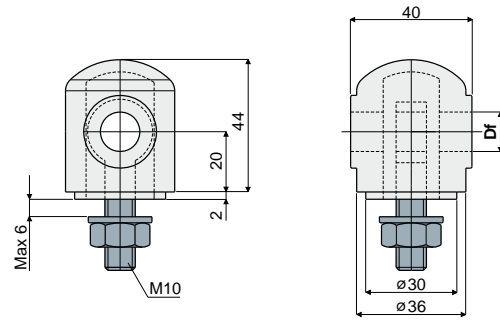
BOX QUANTITY: 24 pieces.

ON REQUEST:

- Assembly of: Eyebolts, washers and nuts.
- Box quantity: According to your request.

Heads for brackets

Part. 222 Head for bracket



Df Bore for pin of (mm)	Code
12	222 / 80671
14	222 / 80672
16	222 / 80673

MATERIALS: Head made of reinforced polyamide black colour; eyebolt, nut and washer made of stainless steel AISI 304.

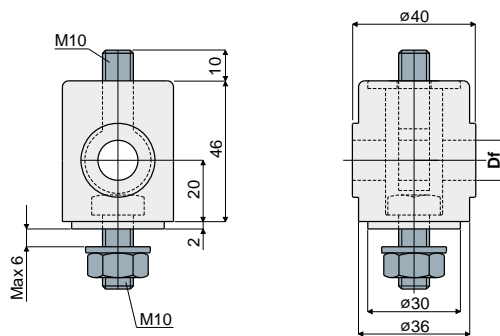
FEATURES: To be used with bracket Part.209, 220, 242, 441, 442, 486. Max tightening torque 4 Kg-m.

BOX QUANTITY: 24 pieces.

ON REQUEST:

- Heads: In reinforced polypropylene, other colours.
- Box quantity: According to your request.

Part. 221 Head for bracket



Df Bore for pin of (mm)	Code
12	221 / 80668
14	221 / 80669
16	221 / 80670

MATERIALS: Head made of reinforced polyamide black colour; eyebolt, screw, nut and washers made of stainless steel AISI 304.

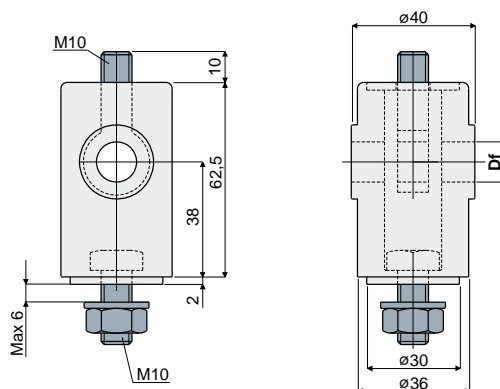
FEATURES: To be used with bracket Part.209, 220, 242, 441, 442, 486. Max tightening torque 4 Kg-m.

BOX QUANTITY: 24 pieces.

ON REQUEST:

- Heads: In reinforced polypropylene, other colours.
- Box quantity: According to your request.

Part. 266 Head for bracket (high type)



Df Bore for pin of (mm)	Code
12	266 / 82035
14	266 / 82036
16	266 / 82037

MATERIALS: Head made of reinforced polyamide black colour; eyebolt, nuts and washer made of stainless steel AISI 304.

FEATURES: To be used with bracket Part.209, 220, 242, 441, 442, 486. Max tightening torque 4 Kg-m.

BOX QUANTITY: 24 pieces.

ON REQUEST:

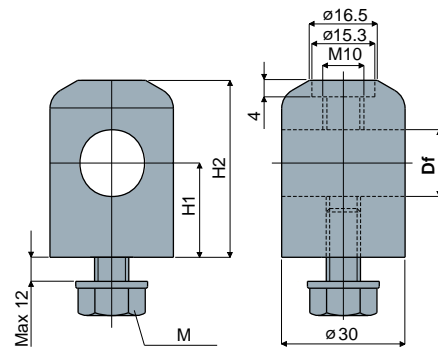
- Heads: Made of reinforced polypropylene, other colours.
- Box quantity: According to your request.

Heads for brackets

Head for bracket (metal)

Part. **223**

M	Df		H1	H2	Code
	Bore for pin of (mm)	(inches)			
M8x16	14 - 16	-	23	43	223 / 84544
M10x16	14 - 16	-	23	43	223 / 84226
M10x20	12,7	1/2"	23	43	223 / 84543
M10x20	14 - 16	-	23	43	223 / 80675
	14 - 16	-	40	60	223 / 84542
	14 - 16	-	60	80	223 / 83640



MATERIALS: Head made out of stainless steel AISI 304; screw and washer made out of stainless steel AISI 304.

FEATURES: To be used with Part.209, 220, 242, 441, 442, 486. Max tightening torque 4 Kg·m. Possibility to use pins with diameter 12.7, 14, 16 mm and 1/2".

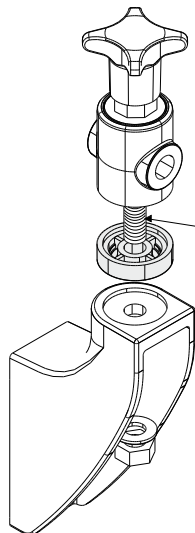
BOX QUANTITY: 24 pieces.

ON REQUEST:

- Heads: In different lengths.
- Box quantity: According to your request.

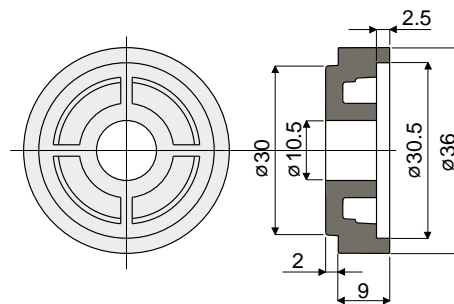
Spacer for heads

Part. **256**



Example of application

N.B.: To use the spacer, it is necessary to change the standard screw with a longer one.



Code
256 / 81011

MATERIALS: Spacer made of reinforced polyamide black colour.

FEATURES: Accessory to be used on brackets Part.214, 215, 216, 209, 220, 242, 218, 243, 244, 279, 280, 281, 486, 488, 489, 490 to increase heads height.

BOX QUANTITY: 24 pieces.

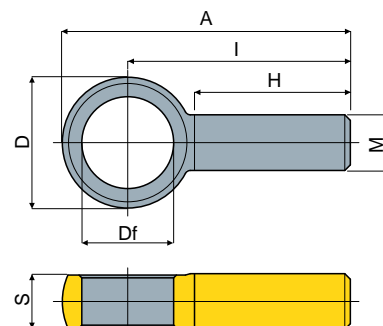
ON REQUEST:

- Spacers: In reinforced polypropylene, other colours.
- Box quantity: According to your request.

Eyebolt

Part. **526**

M	Df		D	H	I	A	S	Code
	Bore diameter (mm)							
M10x20	13		22	21	39	49	9	526 / 87380
	14,5		22	21	39	49	9	526 / 87381
	16,5		23,5	28	40	52	9,5	526 / 87382
	20,5		27	26	40	53,5	7	526 / 88704



MATERIALS: Eyebolt in stainless steel AISI 304.

FEATURES: To be used with Part.213, 214, 215, 217, 219, 221, 222, 227, 243, 247, 255, 266, 279, 280, 281, 312, 406, 407, 408, 488, 489, 491. Possibility to use pins with diameter 12.7, 14, 16, 20 mm and 1/2".

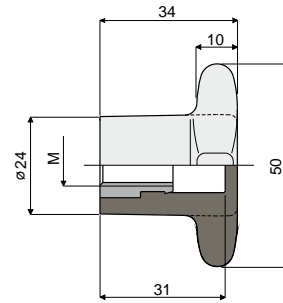
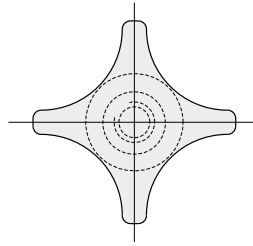
BOX QUANTITY: 24 pieces.

ON REQUEST:

- Box quantity: According to your request.

Knobs and handles

Part. 226 Knob for bracket



M	Code
M8	226 / 81147
M10	226 / 80678
M12	226 / 81148

MATERIALS: Knob made of reinforced polyamide black colour; threaded bushing made of nickel plated brass.

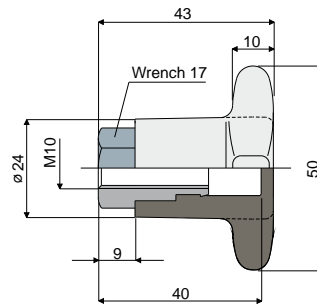
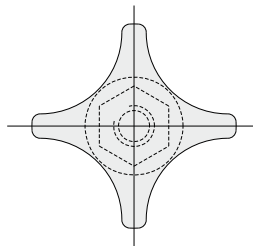
FEATURES: Accessory to be used with heads Part.221 and 266.

BOX QUANTITY: 24 pieces.

ON REQUEST:

- Knobs: In reinforced polypropylene, other colours.
- Box quantity: According to your request.

Part. 227 Knob for bracket



Code
227 / 80679

MATERIALS: Knob made of reinforced polyamide black colour; threaded bushing made of nickel plated brass.

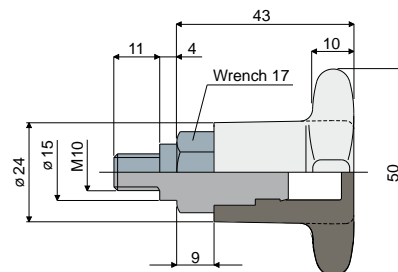
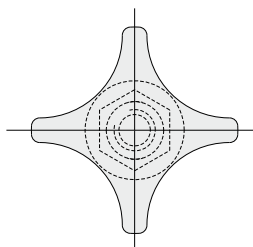
FEATURES: Accessory to be used with heads Part.221 and 266.

BOX QUANTITY: 24 pieces.

ON REQUEST:

- Knobs: In reinforced polypropylene, other colours.
- Box quantity: According to your request.

Part. 228 Knob for bracket



Code
228 / 80680

MATERIALS: Knob made of reinforced polyamide black colour; threaded bushing made of nickel plated brass.

FEATURES: Accessory to be used with head Part.223.

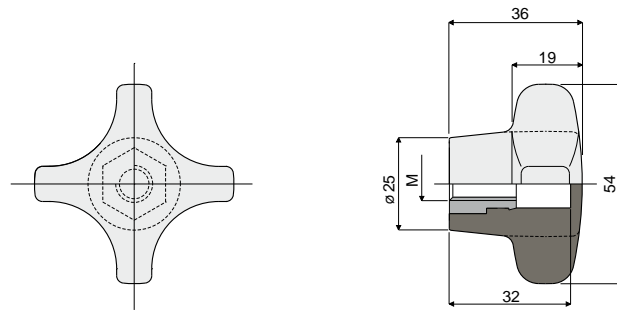
BOX QUANTITY: 24 pieces.

ON REQUEST:

- Knobs: In reinforced polypropylene, other colours.
- Box quantity: According to your request.

Knobs and handles

Knob for bracket (reinforced type) Part. 246



M	Code
M8	246 / 84473
M10	246 / 81135
M12	246 / 84870

MATERIALS: Knob made of reinforced polyamide black colour; threaded bushing is made of nickel plated brass.

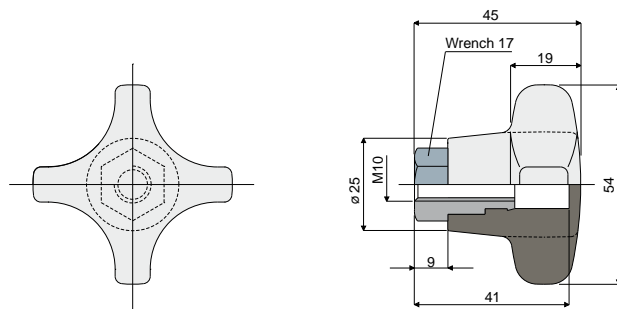
FEATURES: Accessory to be applied to our heads Part.221 and Part.266.

BOX QUANTITY: 24 pieces.

ON REQUEST:

- Knobs: In reinforced polypropylene, other colours.
- Box quantity: According to your request.

Knob for bracket (reinforced type) Part. 247



Code
247 / 81137

MATERIALS: Knob made of reinforced polyamide black colour; threaded bushing made of nickel plated brass.

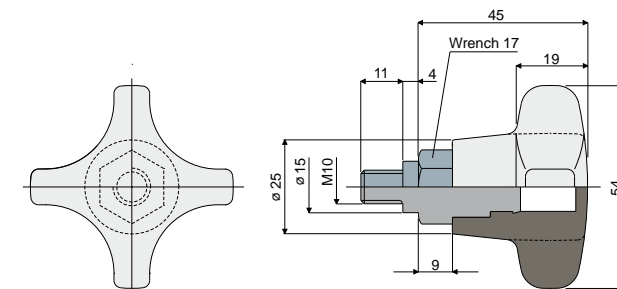
FEATURES: Accessory to be applied to our heads Part.221 and Part.266.

BOX QUANTITY: 24 pieces.

ON REQUEST:

- Knobs: In reinforced polypropylene, other colours.
- Box quantity: According to your request.

Knob for bracket (reinforced type) Part. 248



Code
248 / 81139

MATERIALS: Knob made of reinforced polyamide black colour; threaded insert made of nickel plated brass.

FEATURES: Accessory to be applied to our head Part.223.

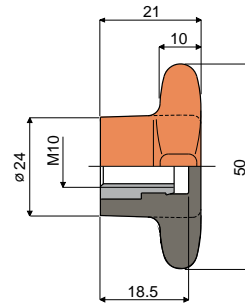
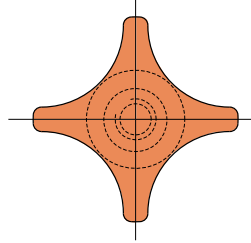
BOX QUANTITY: 24 pieces.

ON REQUEST:

- Knobs: In reinforced polypropylene, other colours.
- Box quantity: According to your request.

Knobs and handles

Part. 313 Knob for bracket (short type)



Code

313 / 82848

MATERIALS: Knob made of reinforced polyamide orange colour; threaded bushing made of nickel plated brass.

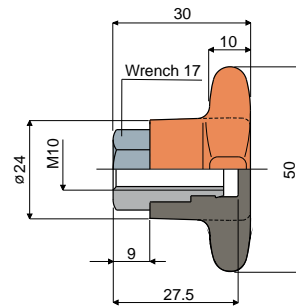
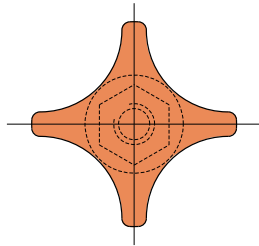
FEATURES: Accessory to be used with heads Part.221 and 266.

BOX QUANTITY: 24 pieces.

ON REQUEST:

- Knobs: In reinforced polypropylene, other colours.
- Box quantity: According to your request.

Part. 314 Knob for bracket (short type)



Code

314 / 82849

MATERIALS: Knob made of reinforced polyamide orange colour; threaded bushing made of nickel plated brass.

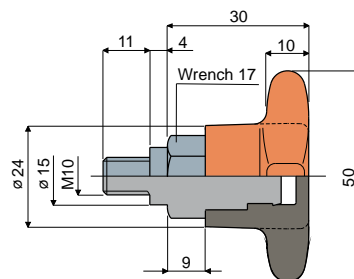
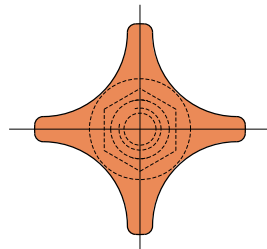
FEATURES: Accessory to be used with heads Part.221 and 266.

BOX QUANTITY: 24 pieces.

ON REQUEST:

- Knobs: In reinforced polypropylene, other colours.
- Box quantity: According to your request.

Part. 315 Knob for bracket (short type)



Code

315 / 82850

MATERIALS: Knob made of reinforced polyamide orange colour; threaded bushing made of nickel plated brass.

FEATURES: Accessory to be used with head Part.223.

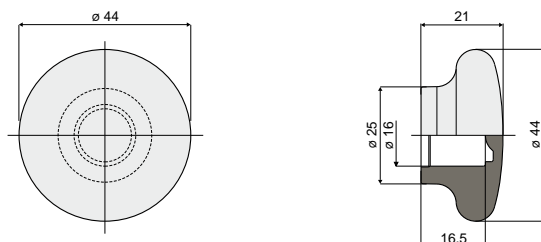
BOX QUANTITY: 24 pieces.

ON REQUEST:

- Knobs: In reinforced polypropylene, other colours.
- Box quantity: According to your request.

Knobs and handles

Round handle Part. **386**
(\varnothing 44 mm)

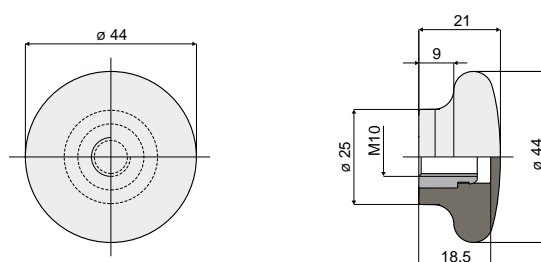


Code
386 / 84124

MATERIALS: Handle in reinforced polypropylene, orange colour.
FEATURES: To be used as protection for the pins edges; can be used with pin Part.301 (Dp = 16 mm.).
BOX QUANTITY: 24 pieces.

- ON REQUEST:**
- Handles: in reinforced polypropylene, different colours.
 - Box quantity: According to your request.

Round handle Part. **334**
(\varnothing 44 mm)

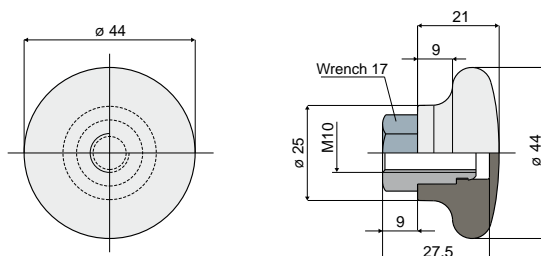


Code
334 / 83116

MATERIALS: Handle made of reinforced polyamide black colour; threaded bushing made of nickel plated brass.
FEATURES: Accessory to be used with heads Part.221 and 266.
BOX QUANTITY: 24 pieces.

- ON REQUEST:**
- Handles: In reinforced polypropylene, other colours.
 - Box quantity: According to your request.

Round handle Part. **337**
(\varnothing 44 mm)

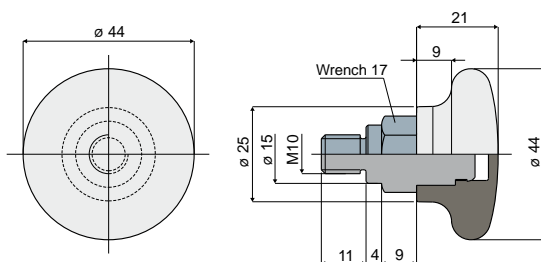


Code
337 / 83302

MATERIALS: Handle made of reinforced polyamide black colour; threaded bushing made of nickel plated brass.
FEATURES: Accessory to be used with heads Part.221 and 266.
BOX QUANTITY: 24 pieces.

- ON REQUEST:**
- Handles: In reinforced polypropylene, other colours.
 - Box quantity: According to your request.

Round handle Part. **338**
(\varnothing 44 mm)



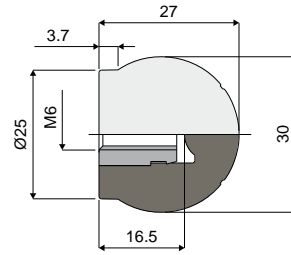
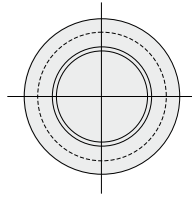
Code
338 / 83303

MATERIALS: Handle made of reinforced polyamide black colour; threaded bushing made of nickel plated brass.
FEATURES: Accessory to be used with head Part.223.
BOX QUANTITY: 24 pieces.

- ON REQUEST:**
- Handles: In reinforced polypropylene, other colours.
 - Box quantity: According to your request.

Knobs and handles

Part. 382 Ball handle



Code
382 / 84119

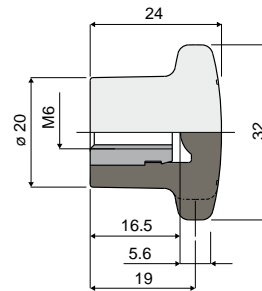
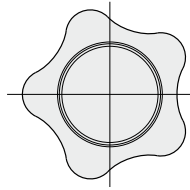
MATERIALS: Ball handle made of reinforced polyamide, black colour; threaded bushing in nickel plated brass.

BOX QUANTITY: 24 pieces.

ON REQUEST:

- Handles: Made in reinforced polypropylene, different colours.
- Box quantity: According to your request.

Part. 383 Knob



Code
383 / 84120

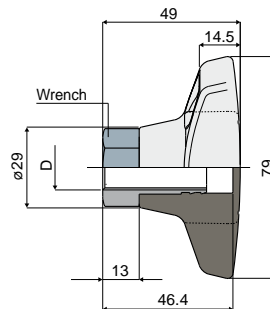
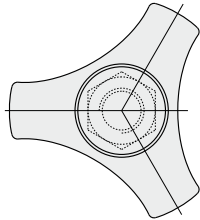
MATERIALS: Knob made of reinforced polyamide, black colour; threaded bushing in nickel plated brass.

BOX QUANTITY: 24 pieces.

ON REQUEST:

- Knobs: In reinforced polypropylene, other colours, with customized brand.
- Box quantity: According to your request.

Part. 350 Knob



D	Wrench	Code
M12	19	350 / 83398
M16	24	350 / 83399

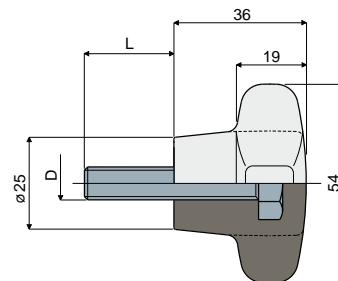
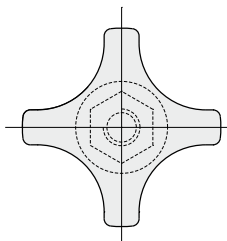
MATERIALS: Knob made of reinforced polyamide black colour; threaded bushing in nickel plated brass.

BOX QUANTITY: 24 pieces.

ON REQUEST:

- Knobs: In reinforced polypropylene, other colours, with customized brand.
- Box quantity: According to your request.

Part. 294 Knob for bracket (reinforced type)



D (mm)	L (mm)	Code
M8	22	294 / 82805
M10	22	294 / 82588

MATERIALS: Knob made of reinforced polyamide black colour; bolt made of stainless steel AISI 304.

FEATURES: Accessory to be used with head Part.223.

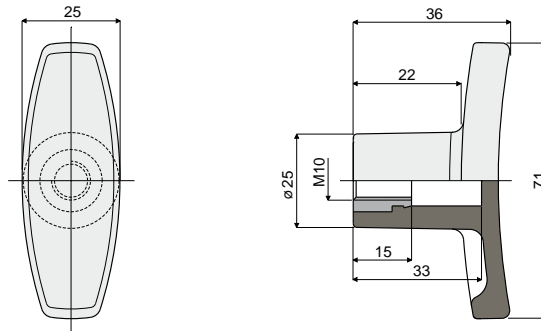
BOX QUANTITY: 24 pieces.

ON REQUEST:

- Knobs: Made of reinforced polypropylene, in other colours, with bolts of different length and diameter.
- Box quantity: According to your request.

Knobs and handles

"T"- handle Part. 303



Code
303 / 82806

MATERIALS: Handle is made of reinforced polyamide black colour; threaded bushing is made of nickel plated brass.

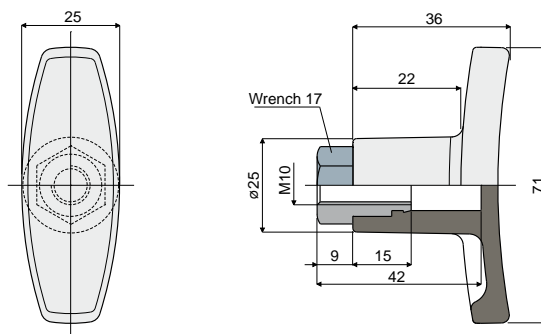
FEATURES: Accessory to be used with heads Part.221 and 266.

BOX QUANTITY: 24 pieces.

ON REQUEST:

- Handles: made of reinforced polypropylene, other colours.
- Box quantity: According to your request.

"T"- handle Part. 304



Code
304 / 82807

MATERIALS: Handle is made of reinforced polyamide black colour; threaded bushing is made of nickel plated brass.

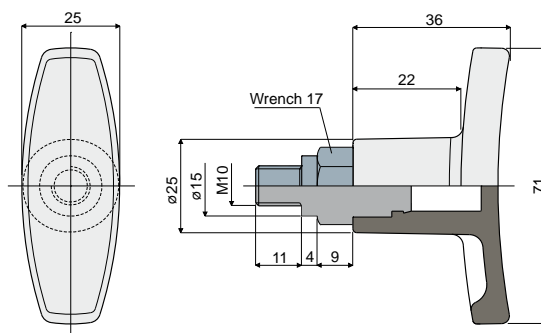
FEATURES: Accessory to be used with heads Part.221 and 266.

BOX QUANTITY: 24 pieces.

ON REQUEST:

- Handles: made of reinforced polypropylene, other colours.
- Box quantity: According to your request.

"T"- handle Part. 305



Code
305 / 82808

MATERIALS: Handle is made of reinforced polyamide black colour; threaded bushing is made of nickel plated brass.

FEATURES: Accessory to be used with heads Part.223.

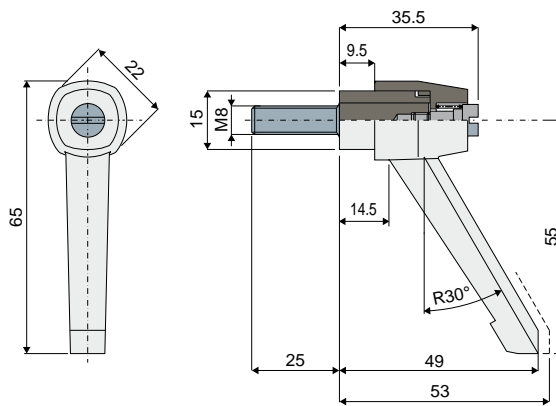
BOX QUANTITY: 24 pieces.

ON REQUEST:

- Handles: made of reinforced polypropylene, other colours.
- Box quantity: According to your request.

Knobs and handles

Part. 397 Ratchet handle clamping



Code
397 / 84260

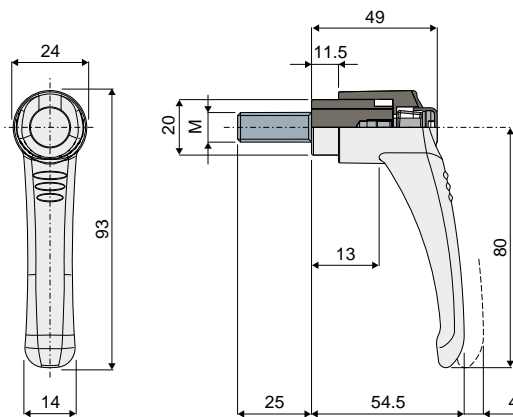
MATERIALS: Handle made of reinforced polyamide black colour; threaded insert made of stainless steel AISI 304.

BOX QUANTITY: 24 pieces.

ON REQUEST:

- Box quantity: According to your request.

Part. 400 Ratchet handle clamping



M	Code
M8	400 / 86693
M10	400 / 84316

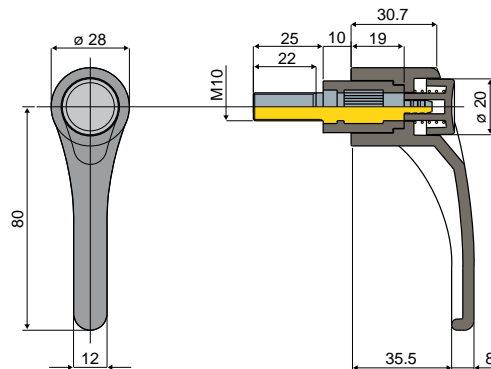
MATERIALS: Handle made of reinforced polyamide black colour with push button in orange colour; threaded insert made of stainless steel AISI 304.

BOX QUANTITY: 24 pieces.

ON REQUEST:

- Box quantity: According to your request.

Part. 332 Ratchet handle clamping



Code
332 / 83113

MATERIALS: Handle made of reinforced polyamide black colour with push button in orange colour; threaded insert made of zinc plated steel.

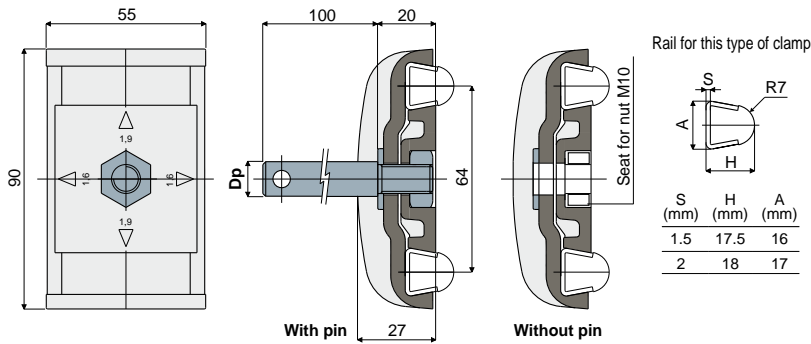
BOX QUANTITY: 24 pieces.

ON REQUEST:

- Handles: With threaded inserts M8, M10, M12, with different lengths; also available in stainless steel AISI 304.
- Box quantity: According to your request.

Guide rail clamps

Guide rail clamp Part. 230 (for trapezoidal rails)



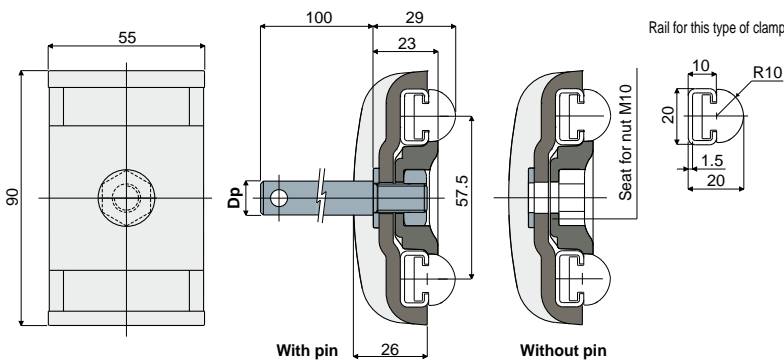
Dp Pin diameter (mm)	With pin Code	Without pin Code
12	230 / 80684	
14	230 / 80685	230 / 80611
16	230 / 80686	

MATERIALS: Clamp made of reinforced polyamide black colour; pin, nut and washer made of stainless steel AISI 304.
FEATURES: Supplied with or without support pin. With this item it is possible to use thickness 1,5 and 2 mm guides, by rotating for 90° the central plate: Part.353, 354, 377, 418, 419, 420, 446, 469, 485, 514.
BOX QUANTITY: 24 pieces.

ON REQUEST:

- Clamps: In reinforced polypropylene, other colours.
- Box quantity: According to your request.

Guide rail clamp Part. 289 (for rectangular rails)



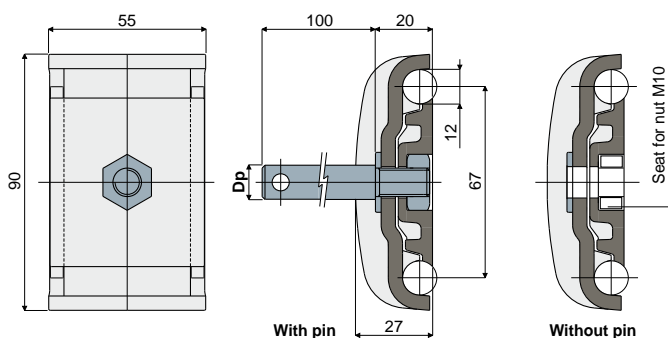
Dp Pin diameter (mm)	With pin Code	Without pin Code
12	289 / 82569	
14	289 / 82570	289 / 82572
16	289 / 82571	

MATERIALS: Clamp made of reinforced polyamide black colour; pin, nut and washer made of stainless steel AISI 304.
FEATURES: Supplied with or without support pin. To be used for the support of the product guide rail Part.373.
BOX QUANTITY: 24 pieces.

ON REQUEST:

- Clamps: In reinforced polypropylene, other colours.
- Box quantity: According to your request.

Guide rail clamp Part. 229 (for round rails)



Dp Pin diameter (mm)	With pin Code	Without pin Code
12	229 / 80681	
14	229 / 80682	229 / 80609
16	229 / 80683	

MATERIALS: Clamp made of reinforced polyamide black colour; pin, nut and washer made of stainless steel AISI 304.
FEATURES: Supplied with or without support pin.
BOX QUANTITY: 24 pieces.

ON REQUEST:

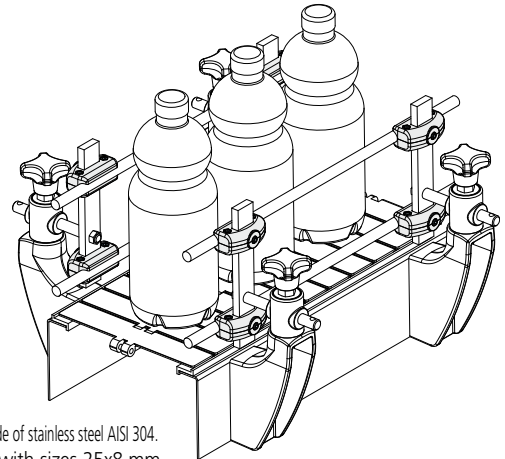
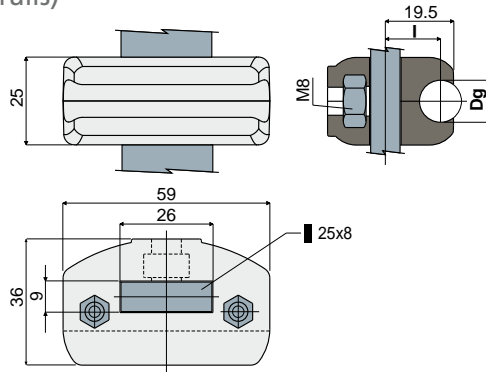
- Clamps: In reinforced polypropylene, other colours.
- Box quantity: According to your request.

Guide rail clamps

Part. 231

Guide rail clamp (for round rails)

Example of application



Dg Rail diameter (mm)	l (mm)	Code
8	16	231 / 80749
10	15	231 / 80788
12	15	231 / 80687
14	15	231 / 80787

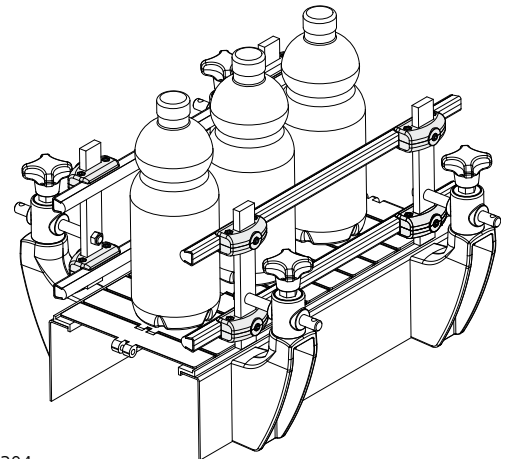
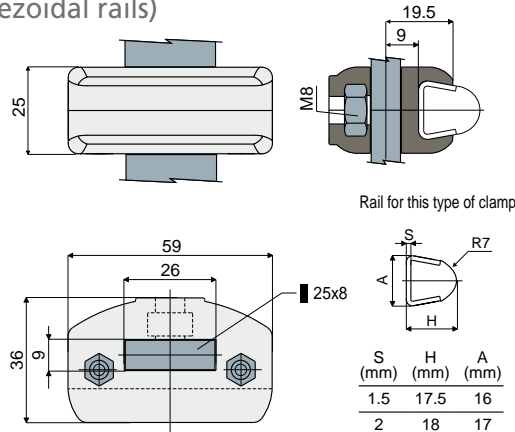
MATERIALS: Clamp made of reinforced polyamide black colour; bolts and nuts made of stainless steel AISI 304.
FEATURES: Supplied assembled. To be used with flat support with sizes 25x8 mm.
BOX QUANTITY: 24 pieces.
ON REQUEST:

- Clamps: In reinforced polypropylene, other colours.
- Box quantity: According to your request.

Part. 232

Guide rail clamp (for trapezoidal rails)

Example of application



Code
232 / 80688

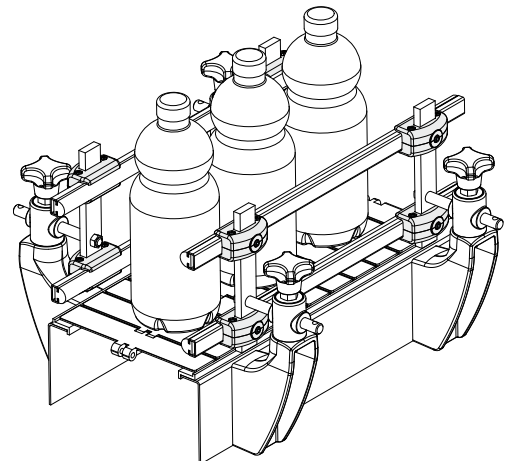
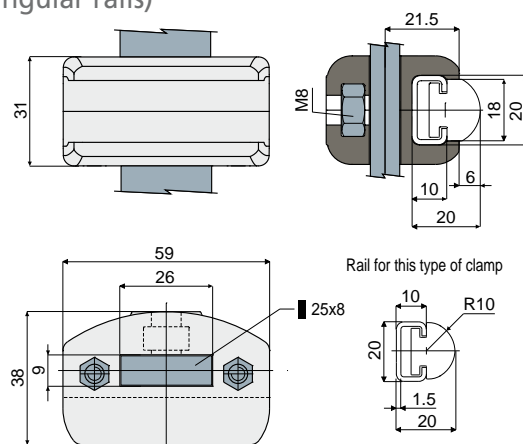
MATERIALS: Clamp made of reinforced polyamide black colour; bolts and nuts made of stainless steel AISI 304.
FEATURES: Supplied assembled. To be used with flat support with sizes 25x8 mm. With this item it is possible to use thickness 1,5 and 2 mm guides: Part.353, 354, 377, 418, 419, 420, 446, 469, 485, 514.
BOX QUANTITY: 24 pieces.
ON REQUEST:

- Clamps: In reinforced polypropylene, other colours.
- Box quantity: According to your request.

Part. 291

Guide rail clamp (for rectangular rails)

Example of application



Code
291 / 82578

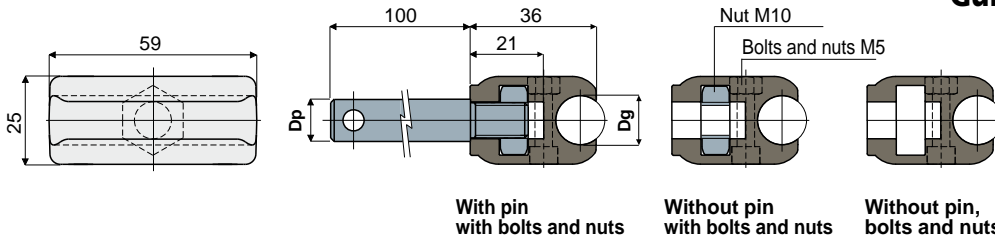
MATERIALS: Clamp made of reinforced polyamide black colour; bolts and nuts made of stainless steel AISI 304.
FEATURES: Supplied assembled. To be used with flat profile with sizes 25x8 mm. To be used for the support of the product guide rail Part.373.
BOX QUANTITY: 24 pieces.
ON REQUEST:

- Clamps: In reinforced polypropylene, other colours.
- Box quantity: According to your request.

Guide rail clamps

Guide rail clamp (for round rails)

Part. **483**



Dp Pin diameter (mm)	Dg Rail diameter (mm)	With pin with bolts and nuts		Dg Rail diameter (mm)	Without pin with bolts and nuts	
		Code			Code	
12	8	483 / 87024		8	483 / 86156	
	10	483 / 87025		10	483 / 86151	
	12	483 / 87026		12	483 / 86152	
	14	483 / 87027		14	483 / 86153	
14	8	483 / 87028		Dg Rail diameter (mm)	Without pin, bolts and nuts	
	10	483 / 87029			Code	
	12	483 / 87030			Code	
16	14	483 / 87031		8	483 / 87036	
	8	483 / 87032		10	483 / 87037	
	10	483 / 87033		12	483 / 87038	
	12	483 / 87034		14	483 / 87039	
	14	483 / 87035				

MATERIALS: Clamp made of reinforced polyamide black colour; pin, bolts and nuts made of stainless steel AISI 304.
FEATURES: Supplied with or without support pin and with or without bolts and nuts.

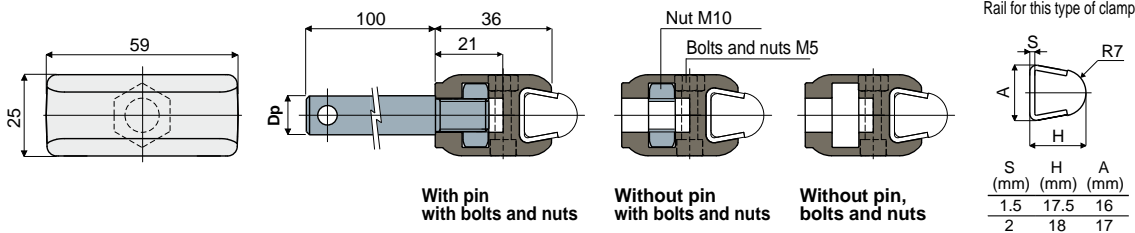
BOX QUANTITY: 24 pieces.

ON REQUEST:

- Clamps: In reinforced polypropylene, other colours.
- Box quantity: According to your request.

Guide rail clamp (for trapezoidal rails)

Part. **484**



Rail for this type of clamp

S (mm)	H (mm)	A (mm)
1.5	17.5	16
2	18	17

MATERIALS: Clamp made of reinforced polyamide black colour; pin, bolts and nuts made of stainless steel AISI 304.

FEATURES: Supplied with or without support pin and with or without bolts and nuts. With this item it is possible to use thickness 1,5 and 2 mm guides: Part.353, 354 377, 418, 419, 420, 446, 469, 485, 514.

BOX QUANTITY: 24 pieces.

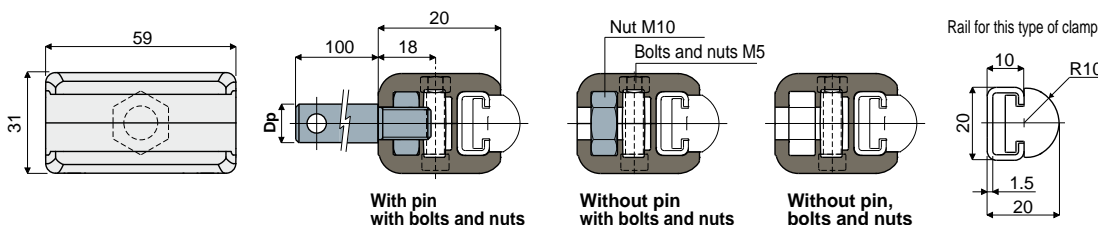
ON REQUEST:

- Clamps: In reinforced polypropylene, other colours.
- Box quantity: According to your request.

Dp Pin diameter (mm)	With pin with bolts and nuts		Without pin with bolts and nuts	Without pin, bolts and nuts
	Code		Code	Code
12	484 / 87040			
14	484 / 87041		484 / 86154	484 / 87043
16	484 / 87042			

Guide rail clamp (for rectangular rail)

Part. **290**



Rail for this type of clamp

Dp Pin diameter (mm)	With pin with bolts and nuts		Without pin with bolts and nuts	Without pin, bolts and nuts
	Code		Code	Code
12	290 / 82573			
14	290 / 82574		290 / 82576	290 / 82577
16	290 / 82575			

MATERIALS: Clamp made of reinforced polyamide black colour; pin, bolts and nuts made of stainless steel AISI 304.

FEATURES: Supplied with or without support pin. To be used for the support of the product guide rail Part.373.

BOX QUANTITY: 24 pieces.

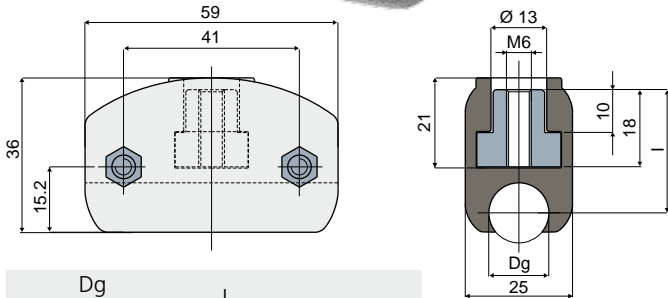
ON REQUEST:

- Clamps: In reinforced polypropylene, other colours.
- Box quantity: According to your request.

Guide rail clamps

Part. 346

Guide rail clamp (for round rails)



Dg Rail diameter (mm)	l (mm)	Code
8	30	346 / 83390
10	29,5	346 / 83391
12	29,5	346 / 83392
14	28,7	346 / 83393

MATERIALS: Clamp made of reinforced polyamide black colour; threaded insert in nickel plated brass; bolts and nuts in stainless steel AISI 304.

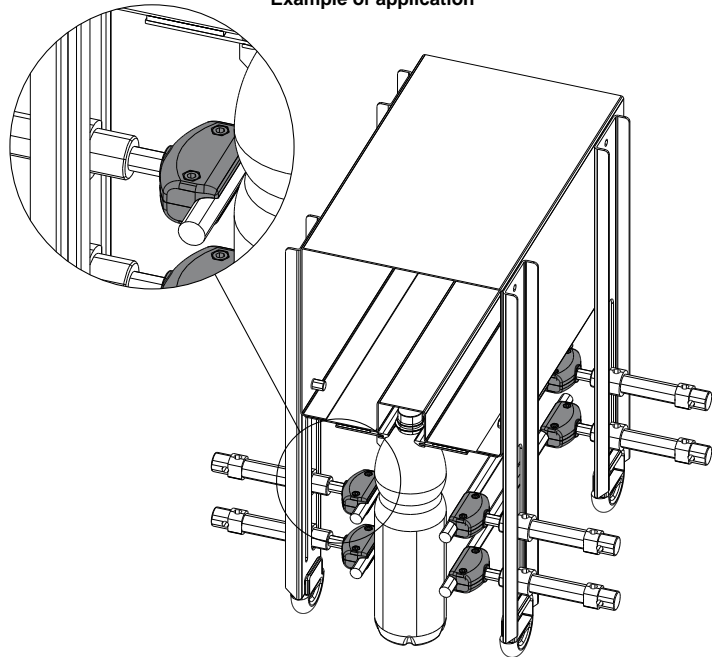
FEATURES: Designed appositely to be assembled directly on the pneumatic cylinder for the rails regulation. Supplied assembled.

BOX QUANTITY: 24 pieces.

ON REQUEST:

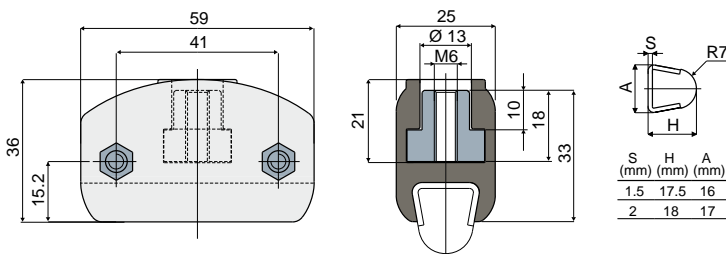
- Clamps: In reinforced polypropylene, other colours.
- Box quantity: According to your request.

Example of application



Part. 347

Guide rail clamp (for trapezoidal rails)



Code
347 / 83394

MATERIALS: Clamp made of reinforced polyamide black colour; threaded insert in nickel plated brass; bolts and nuts in stainless steel AISI 304.

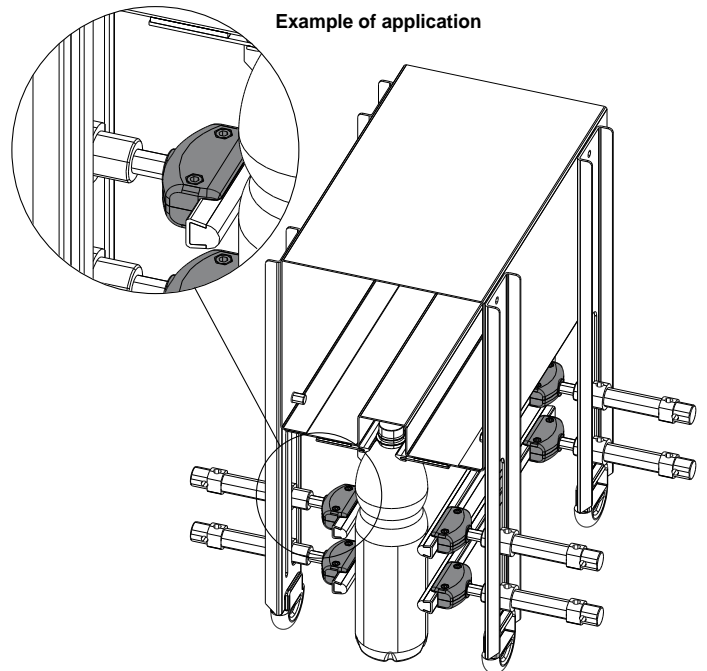
FEATURES: Designed appositely to be assembled directly on the pneumatic cylinder for the rails regulation. With this item it is possible to use thickness 1,5 and 2 mm guides: Part.353, 354, 377, 418, 419, 420, 446, 469, 485, 514. Supplied assembled.

BOX QUANTITY: 24 pieces.

ON REQUEST:

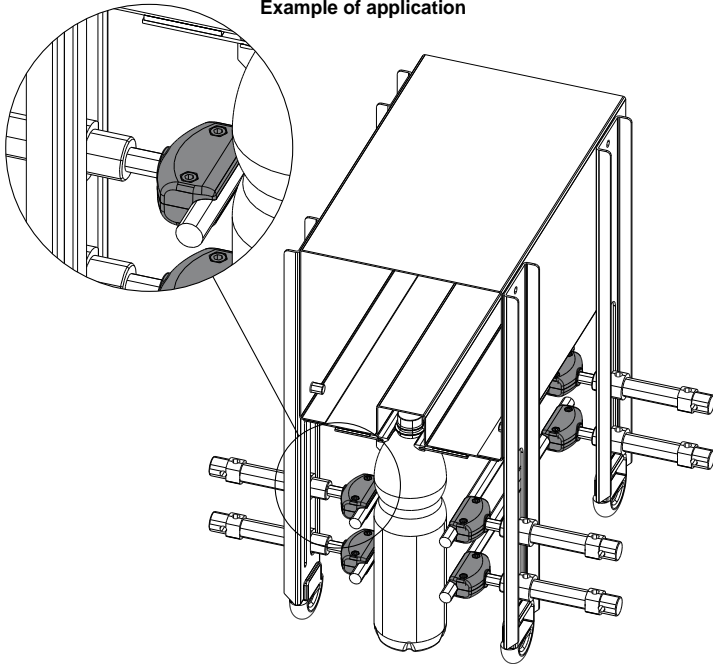
- Clamps: In reinforced polypropylene, other colours.
- Box quantity: According to your request.

Example of application



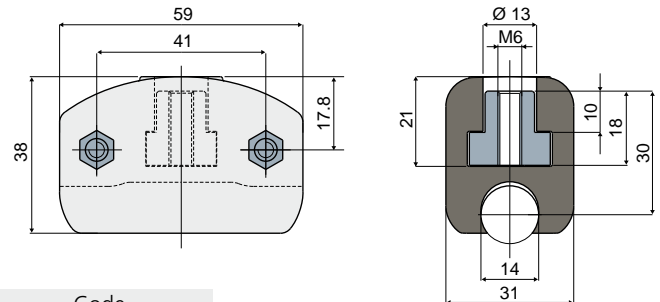
Guide rail clamps

Example of application



Guide rail clamp (for round rails)

Part. **348**



Code
348 / 83395

MATERIALS: Clamp made of reinforced polyamide black colour; threaded insert in nickel plated brass; bolts and nuts in stainless steel AISI 304.

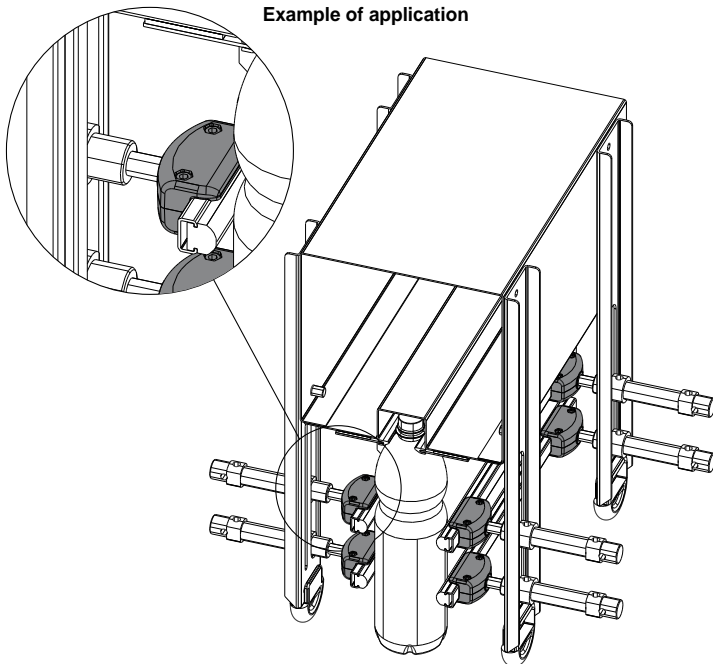
FEATURES: Designed appositely to be assembled directly on the pneumatic cylinder for the rails regulation. Supplied assembled.

BOX QUANTITY: 24 pieces.

ON REQUEST:

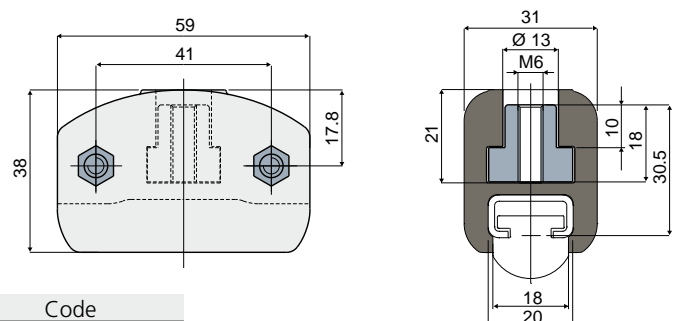
- Clamps: In reinforced polypropylene, other colours.
- Box quantity: According to your request.

Example of application



Guide rail clamp (for rectangular rails)

Part. **349**



Code
349 / 83396

MATERIALS: Clamp made of reinforced polyamide black colour; threaded insert in nickel plated brass; bolts and nuts in stainless steel AISI 304.

FEATURES: Designed appositely to be assembled directly on the pneumatic cylinder for the rails regulation. To be used for the support of the product guide rail Part.373. Supplied assembled.

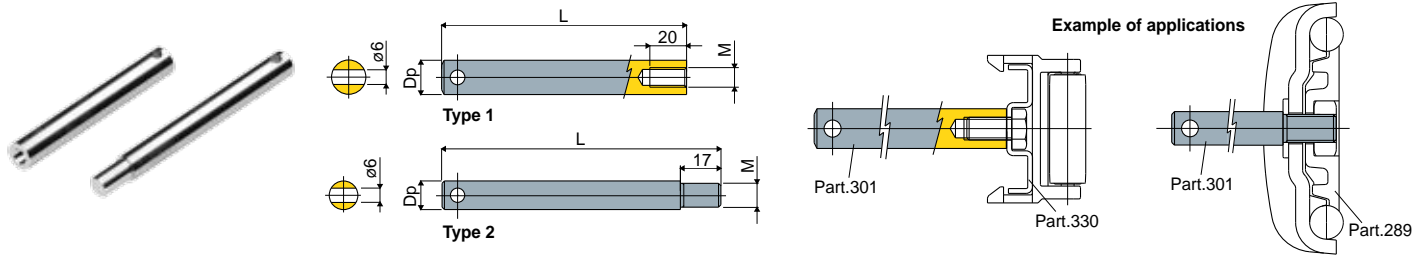
BOX QUANTITY: 24 pieces.

ON REQUEST:

- Clamps: In reinforced polypropylene, other colours.
- Box quantity: According to your request.

Guide rail clamps

Part. 301 Threaded pin



Dp (mm)	L (mm)	M (mm)	Type 1 Code
12	100	M8	301 / 86707
14	100	M8	301 / 82751
16	100	M8	301 / 86708

Dp (mm)	L (mm)	M (mm)	Type 2 Code
12	117	M10	301 / 83304
12	150	M8	301 / 85381
12	167	M10	301 / 84869
12	217	M10	301 / 83871
14	117	M10	301 / 83305
16	117	M10	301 / 83306
16	121	M10	301 / 84109

MATERIALS: Pin made of stainless steel AISI 304.

FEATURES:

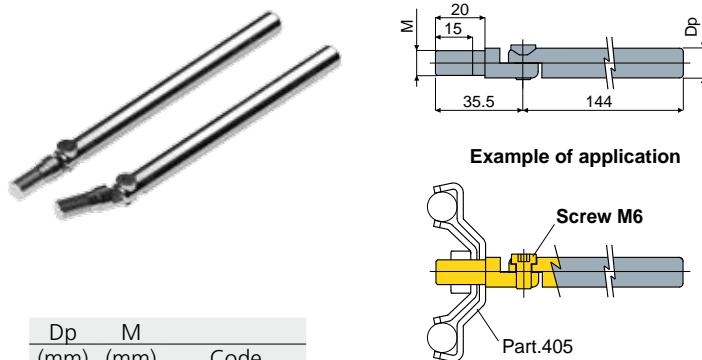
- Type 1: Can be mounted both on guide rail clamps or on side guides;
- Type 2: Used for the mounting of Part. 289, 229, 230, 290, 204, 205.

BOX QUANTITY: 24 pieces.

ON REQUEST:

- Pins: In various lengths.
- Box quantity: According to your request.

Part. 460 Threaded pin for guide rail clamp



Dp (mm)	M (mm)	Code
12	M10	460 / 85470
14	M10	460 / 85566

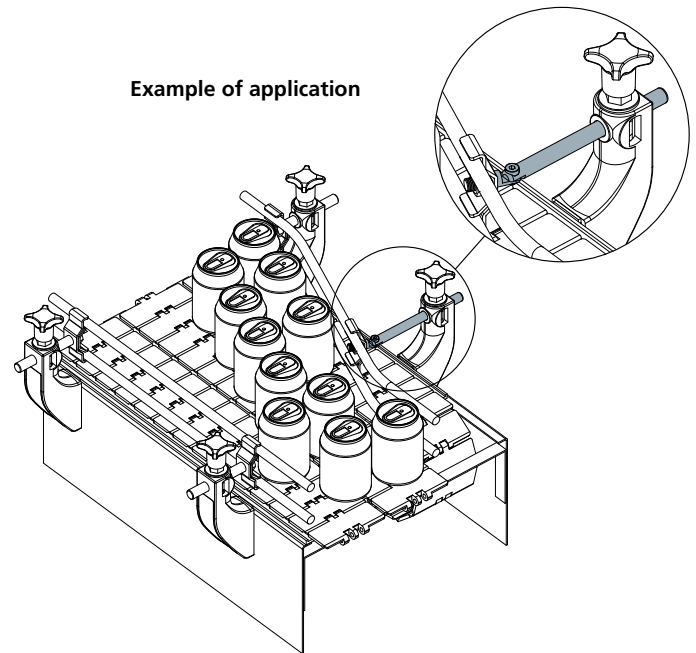
MATERIALS: Pin made of stainless steel AISI 304.

FEATURES: Supplied complete with bolts and nuts.

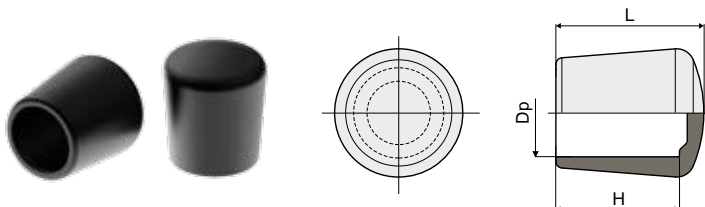
BOX QUANTITY: 24 pieces.

ON REQUEST:

- Pins: In various lengths.
- Box quantity: According to your request.



Part. 398 Cap for pins



Dp (mm)	H (mm)	L (mm)	Code
12	17	21	398 / 84258
14	18	23	398 / 84259
16	20	25	398 / 85592

MATERIALS: Cap made of thermoplastic rubber.

FEATURES: To be applied at the ends of the pins.

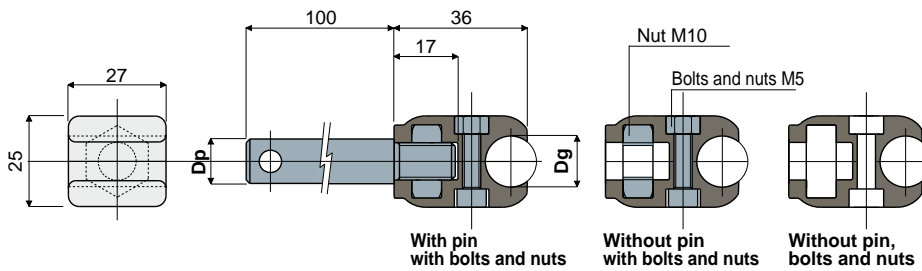
BOX QUANTITY: 24 pieces.

ON REQUEST:

- Box quantity: According to your request.

Guide rail clamps

Guide rail clamp Part. 204 (for round rails)



Dp Pin diameter (mm)	Dg Rail diameter (mm)	With pin with bolts and nuts	
		Code	
12	8	204 / 80798	
	10	204 / 80799	
	12	204 / 80800	
	14	204 / 80801	
14	8	204 / 80802	
	10	204 / 80803	
	12	204 / 80804	
16	14	204 / 80805	
	8	204 / 80806	
	10	204 / 80807	
	12	204 / 80808	
	14	204 / 80809	

Dg Rail diameter (mm)	Without pin with bolts and nuts	
	Code	
8	204 / 80810	
10	204 / 80811	
12	204 / 80812	
14	204 / 80813	

Dg Rail diameter (mm)	Without pin, bolts and nuts	
	Code	
8	204 / 80978	
10	204 / 80979	
12	204 / 80980	
14	204 / 80981	

MATERIALS: Clamp made of reinforced polyamide black colour; pin, bolts and nuts made of stainless steel AISI 304.

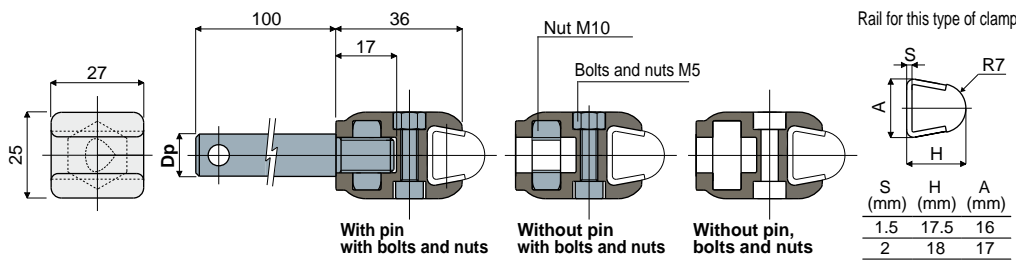
FEATURES: Supplied with or without support pin and with or without bolts and nuts.

BOX QUANTITY: 24 pieces.

ON REQUEST:

- Clamps: In reinforced polypropylene, other colours.
- Box quantity: According to your request.

Guide rail clamp Part. 205 (for trapezoidal rails)



Rail for this type of clamp

S (mm)	H (mm)	A (mm)
1.5	17.5	16
2	18	17

Dp Pin diameter (mm)	With pin with bolts and nuts		Without pin with bolts and nuts		Without pin, bolts and nuts	
	Code		Code		Code	
12	205 / 80814					
14	205 / 80815		205 / 80817		205 / 80982	
16	205 / 80816					

MATERIALS: Clamp made of reinforced polyamide black colour; pin, bolts and nuts made of stainless steel AISI 304.

FEATURES: Supplied with or without support pin and with or without bolts and nuts. With this item it is possible to use thickness 1,5 and 2 mm guides: Part.353, 354, 377, 418, 419, 420, 446, 469, 485, 514.

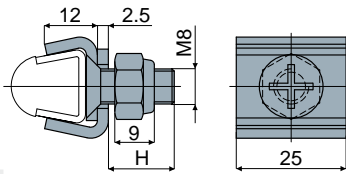
BOX QUANTITY: 24 pieces.

ON REQUEST:

- Clamps: In reinforced polypropylene, other colours.
- Box quantity: According to your request.

Guide rail clamps

Part. 412 Guide rail clamp



H	Code
15	412 / 84487
20	412 / 87351

MATERIALS: Clamp, bolts and nuts made of stainless steel AISI 304.

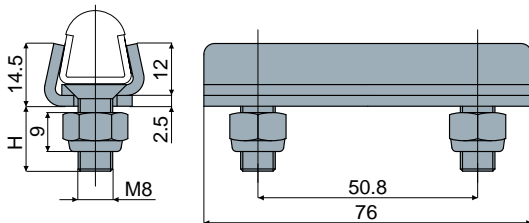
FEATURES: With this item it is possible to use thickness 1,5 and 2 mm guides:
Part.353, 354, 377, 418, 419, 420, 446, 469, 485, 514.

BOX QUANTITY: 24 pieces.

ON REQUEST:

- Box quantity: According to your request.
- Assembly of: Bolts and nuts.

Part. 413 Guide rail clamp (for connection)



H	Code
15	413 / 84488
20	413 / 87361

MATERIALS: Clamp, bolts and nuts made of stainless steel AISI 304.

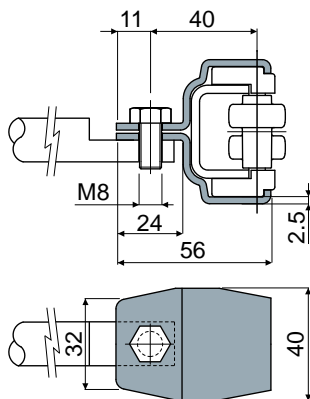
FEATURES: With this item it is possible to use thickness 1,5 and 2 mm guides:
Part.353, 354, 377, 418, 419, 420, 446, 469, 485, 514.

BOX QUANTITY: 24 pieces.

ON REQUEST:

- Box quantity: According to your request.
- Assembly of: Bolts and nuts.

Part. 521 Guide rail clamp (for Part.501, 502)



Material	Code
Zinc plated steel	521 / 87310
Stainless steel AISI 304	521 / 87311

MATERIALS: Clamp made in zinc plated steel or in stainless steel AISI 304.

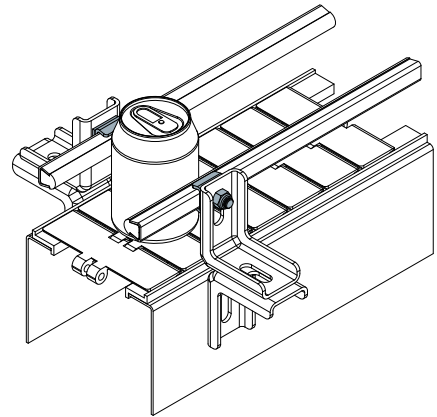
FEATURES: To be used with Part.501, 502. If mounted on double, triple or quadruple type side guides, use a suitable spacer (see drawing opposite).

BOX QUANTITY: 24 pieces.

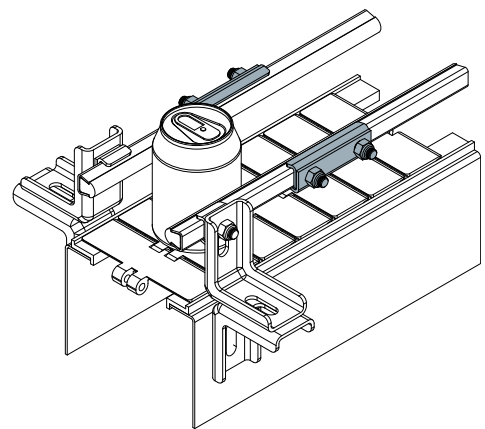
ON REQUEST:

- Box quantity: According to your request.

Example of application

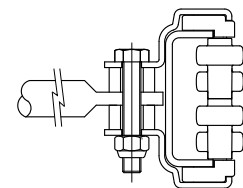


Example of application

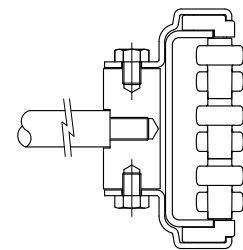


Example of applications

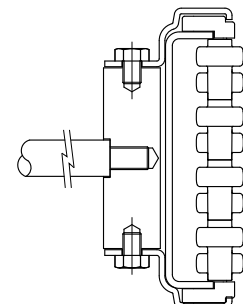
Double type side guide



Triple type side guide

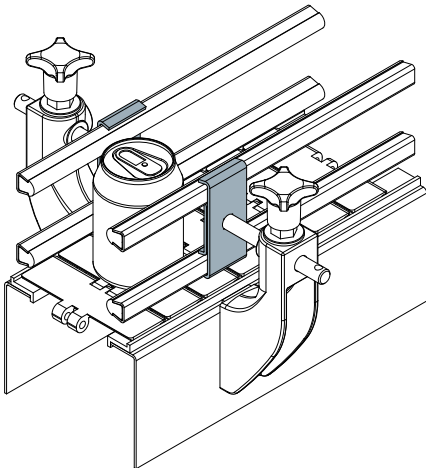


Quadruple type side guide

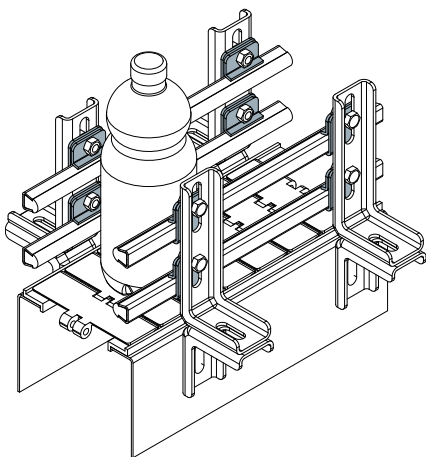


Guide rail clamps

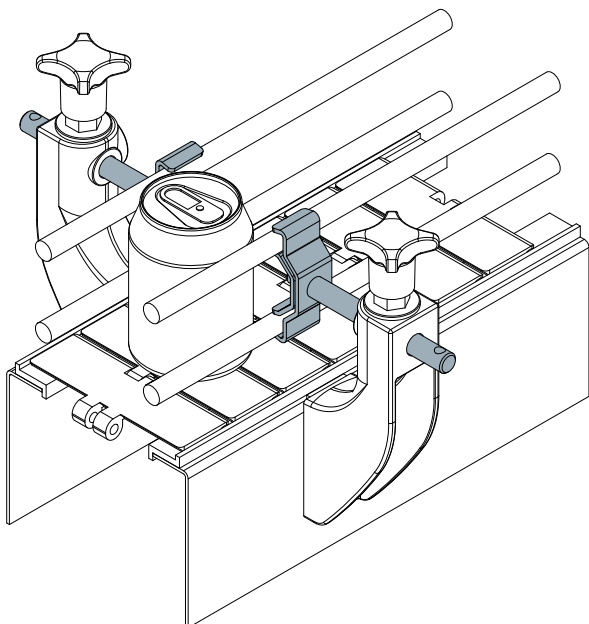
Example of application



Example of application

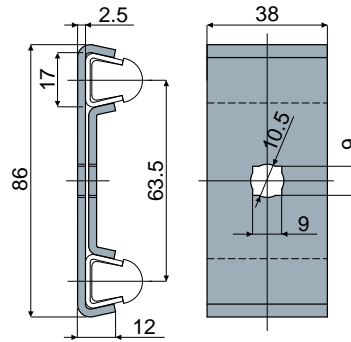


Example of application



Guide rail clamp (double)

Part. **410**



Code
410 / 84485

MATERIALS: Clamp made of stainless steel AISI 304.

FEATURES: With this item it is possible to use thickness 1,5 and 2 mm guides: Part.353, 354, 377, 418, 419, 420, 446, 469, 485, 514.

BOX QUANTITY: 24 pieces.

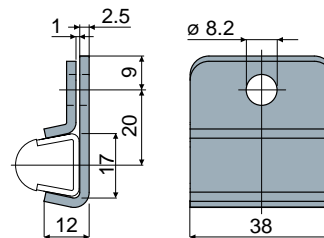
ON REQUEST:

- Box quantity: According to your request.



Guide rail clamp

Part. **411**



Code
411 / 84486

MATERIALS: Clamp made of stainless steel AISI 304.

FEATURES: With this item it is possible to use thickness 1,5 and 2 mm guides: Part.353, 354, 377, 418, 419, 420, 446, 469, 485, 514.

BOX QUANTITY: 24 pieces.

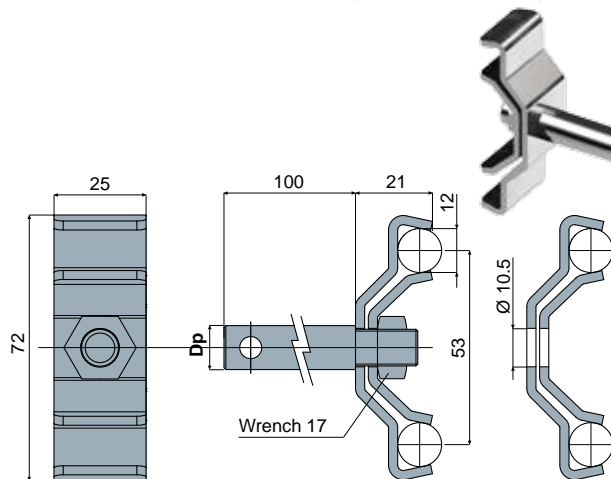
ON REQUEST:

- Box quantity: According to your request.



Guide rail clamp (for round rails)

Part. **405**



With pin

Without pin

Dp Pin diameter (mm)	With pin Code	Without pin Code
12	405 / 84327	
14	405 / 84442	405 / 85101
16	405 / 84443	

MATERIALS: Clamp, mounting plate, nut and threaded pin made of stainless steel AISI 304.

FEATURES: Supplied with or without pin.

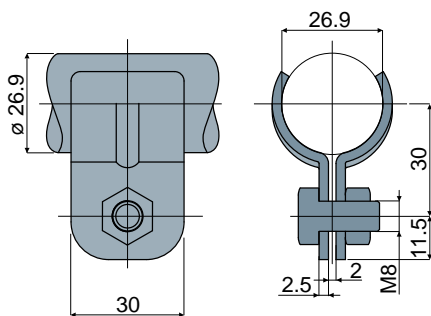
BOX QUANTITY: 24 pieces.

ON REQUEST:

- Box quantity: According to your request.
- Assembly of: Bolts and nuts.

Guide rail clamps

Part. 424 Guide rail clamp



Code
424 / 84961

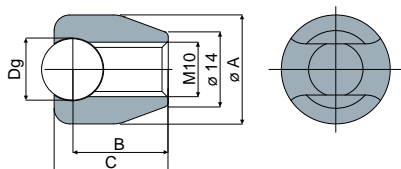
MATERIALS: Clamp, bolts and nuts in stainless steel AISI 304.

BOX QUANTITY: 24 pieces.

ON REQUEST:

- Box quantity: According to your request.
- Assembly of: Bolts and nuts.

Part. 443 Guide rail clamp



Dg Rail diameter (mm)	Code	Ø A (mm)	B (mm)	C (mm)
10	443 / 87657	21	17.5	20
12	443 / 85275	21	18.5	22
14	443 / 87658	21	19.5	24

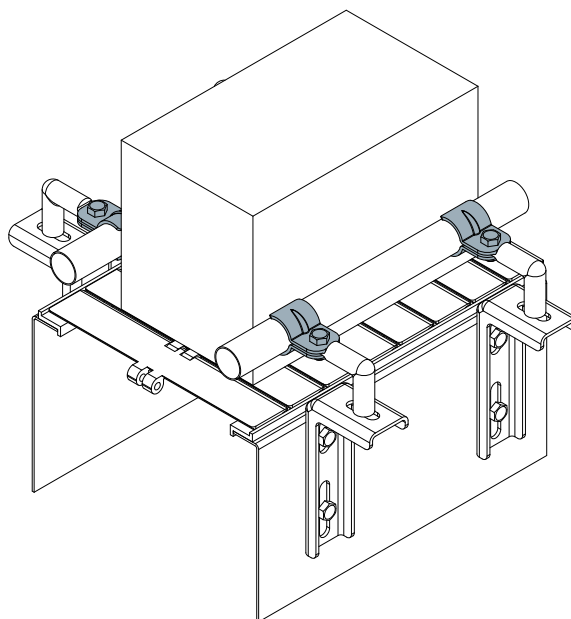
MATERIALS: Clamp made of stainless steel AISI 304.

BOX QUANTITY: 24 pieces.

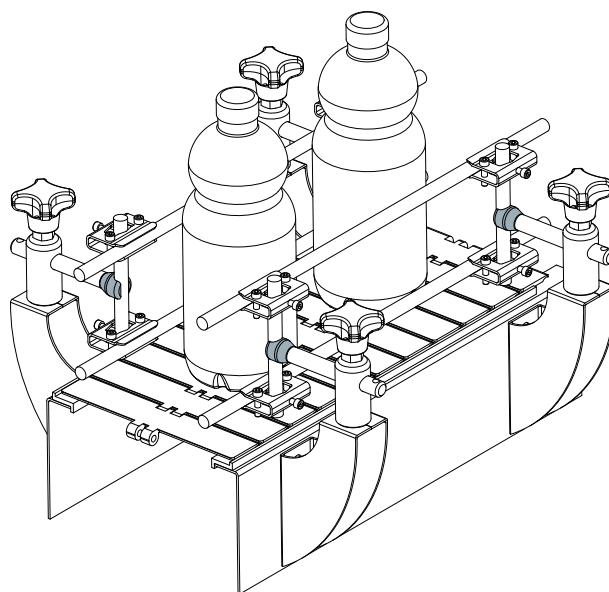
ON REQUEST:

- Box quantity: According to your request.

Example of application

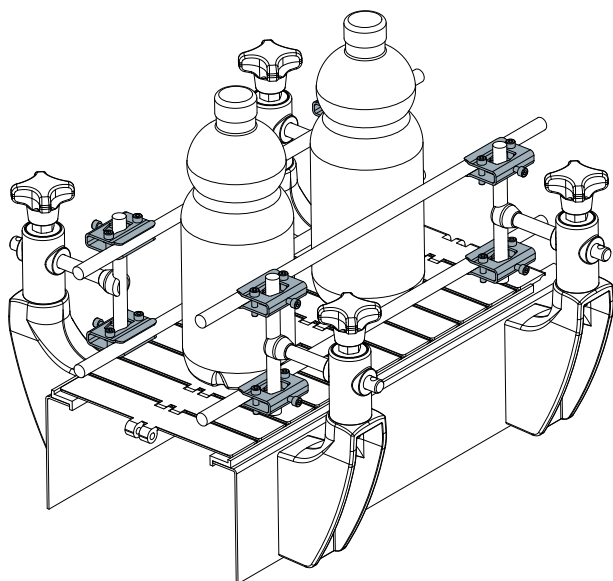


Example of application

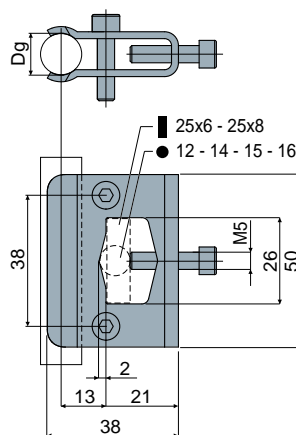


Guide rail clamps

Example of application



Guide rail clamp Part. **440**
(for round rails)



Dg Rail diameter (mm)	Code
12	440 / 85240

MATERIALS: Clamp, bolts and nuts in stainless steel AISI 304.

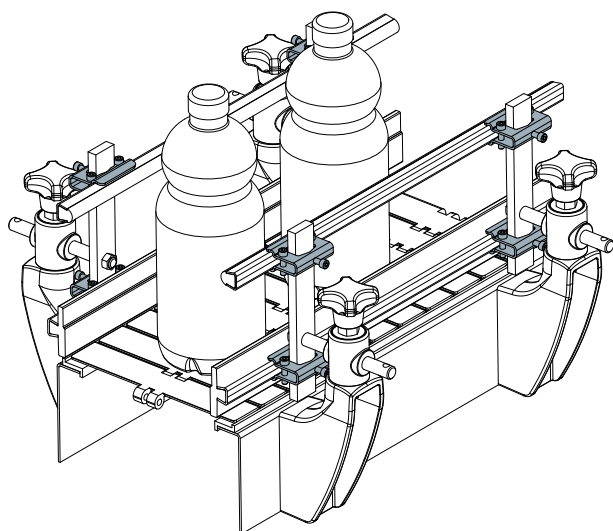
FEATURES: Supplied with bolts and nuts.

BOX QUANTITY: 24 pieces.

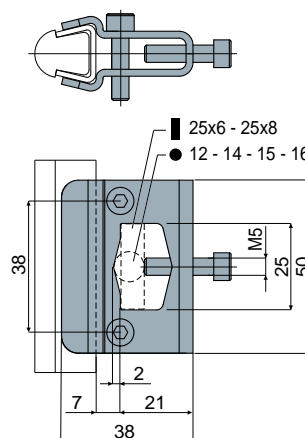
ON REQUEST:

- Box quantity: According to your request.

Example of application



Guide rail clamp Part. **439**
(for trapezoidal rails)



Code
439 / 85239

MATERIALS: Clamp, bolts and nuts in stainless steel AISI 304.

FEATURES: With this item it is possible to use thickness 1,5 and 2 mm guides:

Part.353, 354, 377, 418, 419, 420, 446, 469, 485, 514. Supplied with bolts and nuts.

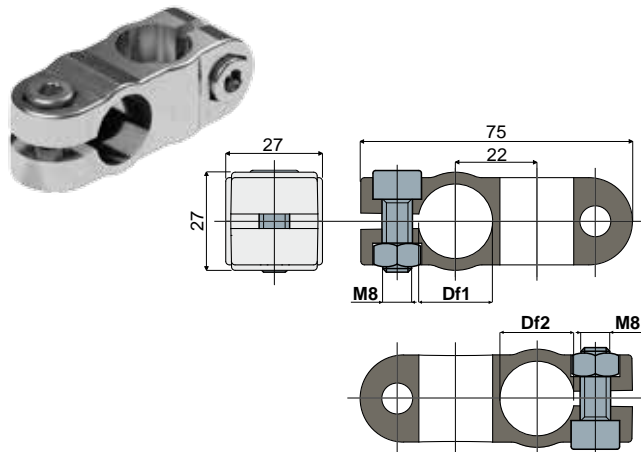
BOX QUANTITY: 24 pieces.

ON REQUEST:

- Box quantity: According to your request.

Guide rail clamps

Part. 470 Cross clamp



Bore for pin of		Version with bolts and nuts	Version without bolts and nuts
Df1 round (mm)	Df2 round (mm)		
16	16	470 / 85598	470 / 86710
16	20	470 / 85599	470 / 86711
20	20	470 / 85600	470 / 86712

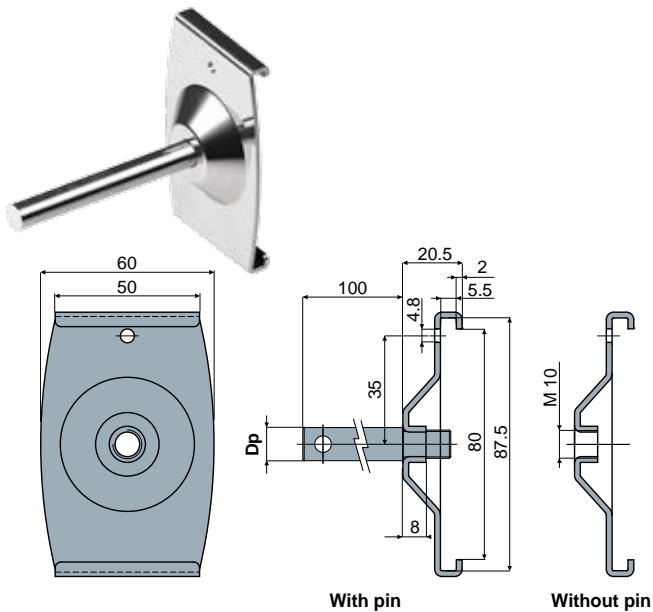
MATERIALS: Clamp, bolts and nuts in stainless steel AISI 304.

BOX QUANTITY: 24 pieces.

ON REQUEST:

- Box quantity: According to your request.

Part. 531 Guide rail clamp



Dp Pin diameter (mm)	With pin Code	Without pin Code
12	531 / 87758	
14	531 / 87759	531 / 87761
16	531 / 87760	

MATERIALS: Clamp, threaded pin, washer and nut in stainless steel AISI 304.

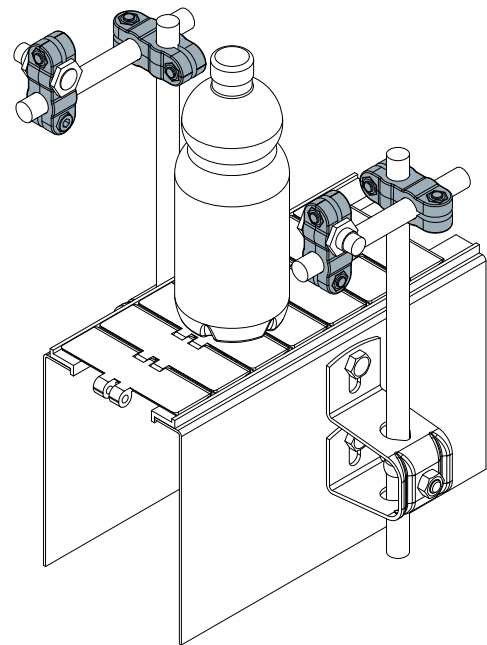
FEATURES: Supplied with or without pin. To be used with side guide Part. 528.

BOX QUANTITY: 24 pieces.

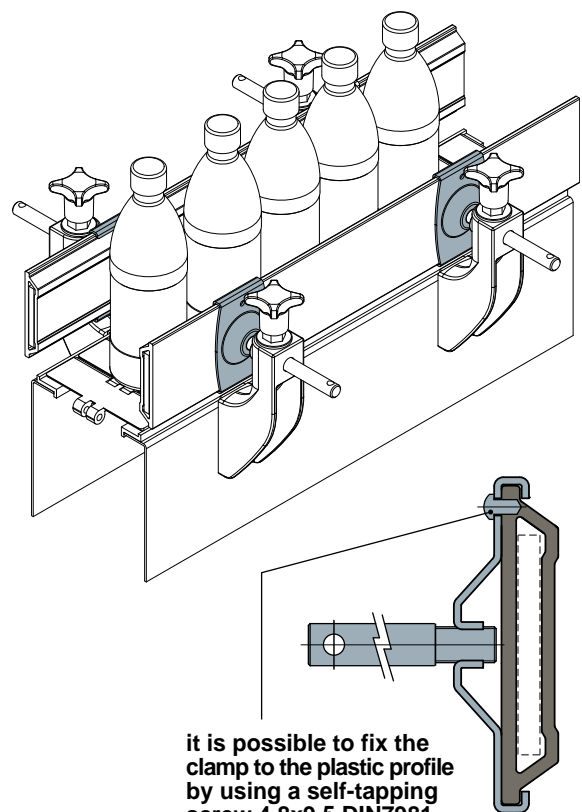
ON REQUEST:

- Assembling of: Pins, washers and nuts.
- Box quantity: According to your request.

Example of application



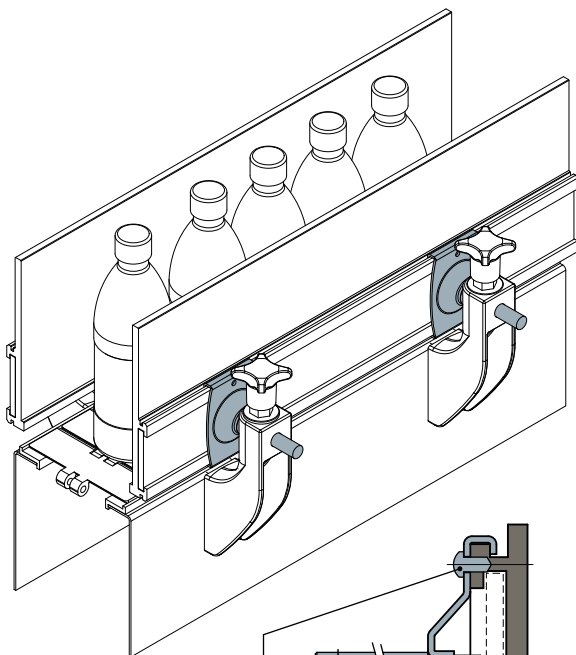
Example of application



it is possible to fix the clamp to the plastic profile by using a self-tapping screw 4,8x9,5 DIN7981

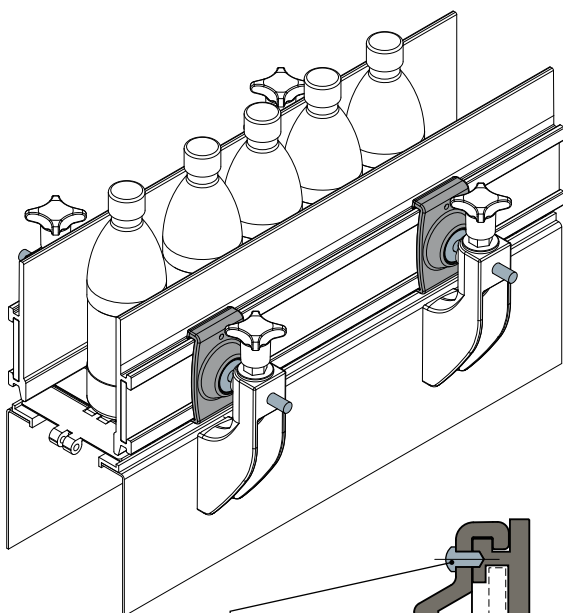
Guide rail clamps

Example of application



it is possible to fix the clamp to the plastic profile by using a self-tapping screw 4,8x9,5 DIN7981

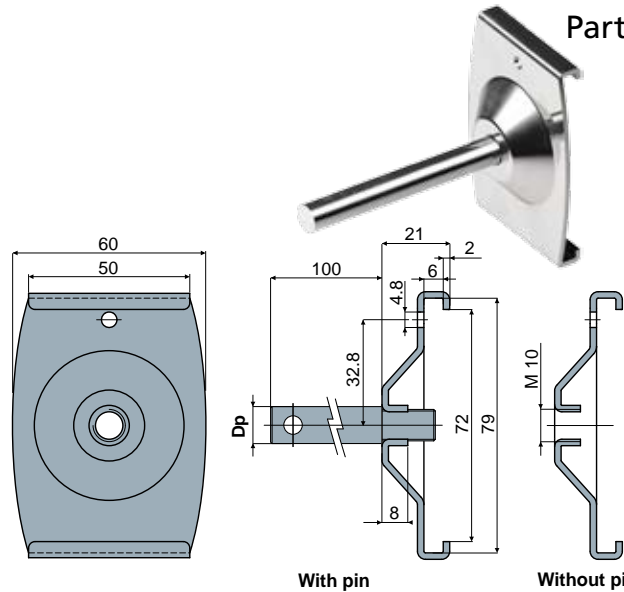
Example of application



it is possible to fix the clamp to the plastic profile by using a self-tapping screw 4,8x9,5 DIN7981

Guide rail clamp

Part. **427**



Dp Pin diameter (mm)	With pin Code	Without pin Code
12	427 / 85097	
14	427 / 85098	427 / 85009
16	427 / 85099	

MATERIALS: Clamp, threaded pin, washer and nut in stainless steel AISI 304.

FEATURES: Supplied with or without pin. To be used with side guides Part. 425, 426, 463.

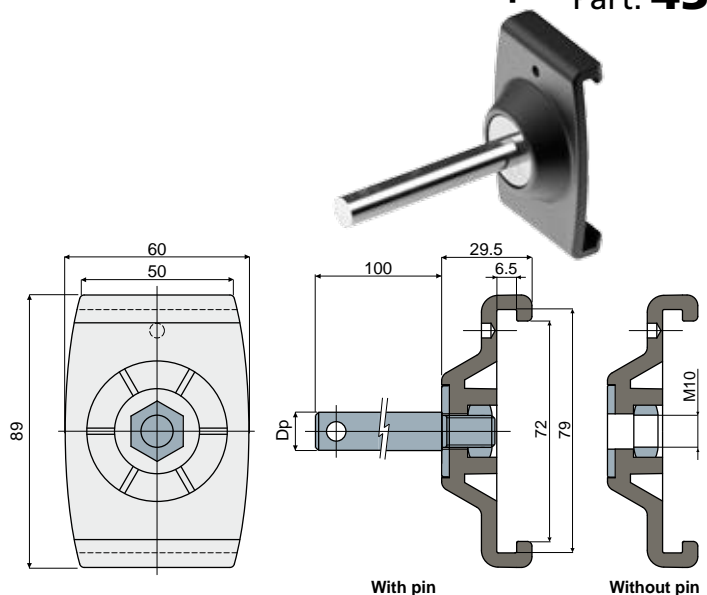
BOX QUANTITY: 24 pieces.

ON REQUEST:

- Assembling of: Pins, washers and nuts.
- Box quantity: According to your request.

Guide rail clamp

Part. **434**



Dp Pin diameter (mm)	With pin Code	Without pin Code
12	434 / 85093	
14	434 / 85094	434 / 85100
16	434 / 85095	

MATERIALS: Clamp is made of reinforced polyamide; threaded pin, washer and nut in stainless steel AISI 304.

FEATURES: Supplied with or without pin. To be used with side guides Part. 425, 426, 463.

BOX QUANTITY: 8 pieces.

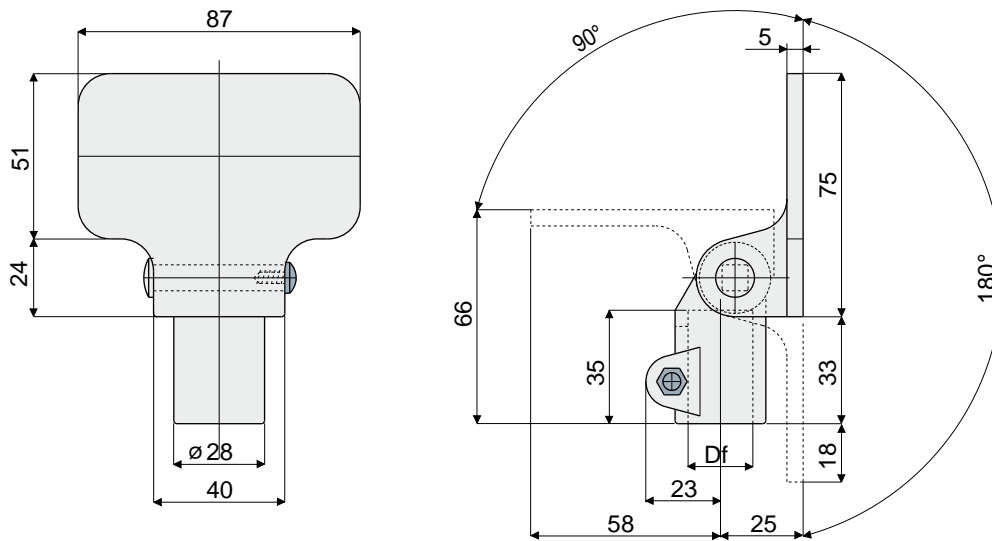
ON REQUEST:

- Assembling of: Pins, washers and nuts.
- Box quantity: According to your request.

Clamps

Part. **206**

Clamp support for photocells
(for photocells and reflectors)



Df Bore for pin of (mm)	Code
12	206 / 82010 (can be used also with square pins 10x10)
14	206 / 80818
15	206 / 80819
16	206 / 80820
18	206 / 80821
20	206 / 80822

MATERIALS: Clamp made of reinforced polyamide black colour; bolts and nuts made of stainless steel AISI 304.

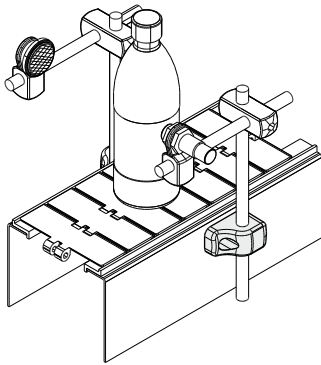
FEATURES: Possibility of assembly in various positions.

BOX QUANTITY: 24 pieces.

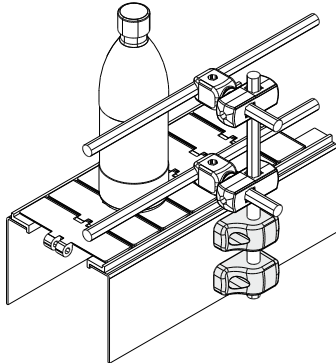
ON REQUEST:

- Clamps: In reinforced polypropylene, other colours.
- Box quantity: According to your request.

Clamps

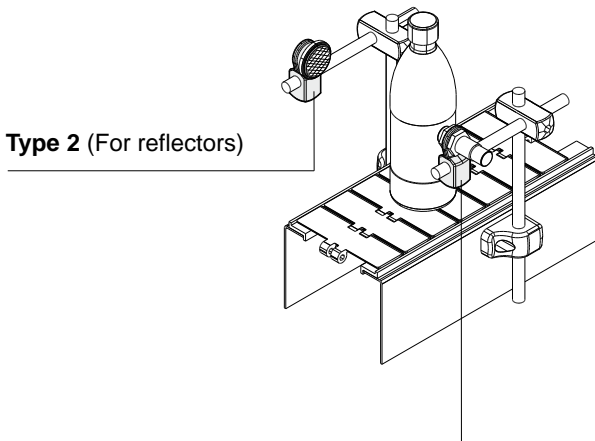


With blocking pin
(Suitable to support photocells)



Without blocking pin
(Suitable to support guide)

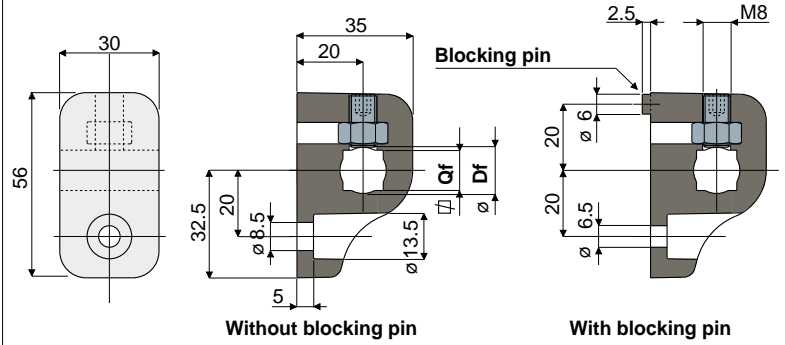
Example of application



Type 1 (For photocells)

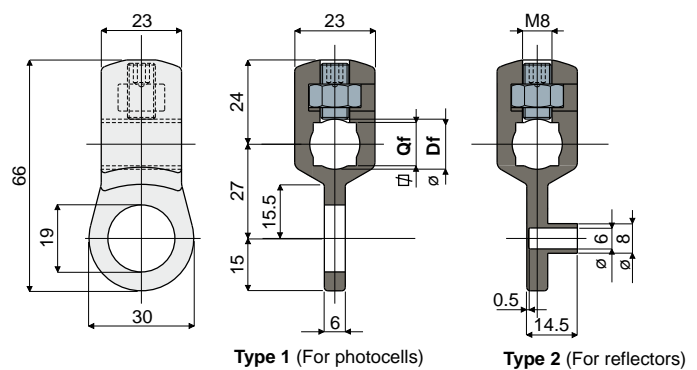
Type 2 (For reflectors)

Clamp Part. 237 (to support rails and photocells)



Bore for pin of		Without blocking pin	With blocking pin
Df round (mm)	Qf square (mm)		
10	8	Code 237 / 80958	Code 237 / 80961
12	10	Code 237 / 80959	Code 237 / 80962
14	12	Code 237 / 80960	Code 237 / 80963

Clamp support for photocells Part. 240 (for photocells and reflectors)



Bore for pin of		Type 1 (for photocells)	Type 2 (for reflectors)
Df round (mm)	Qf square (mm)		
10	8	Code 240 / 80996	Code 240 / 80997
12	10	Code 240 / 80998	Code 240 / 80999
14	12	Code 240 / 81000	Code 240 / 81001

MATERIALS: Clamp made of reinforced polyamide black colour; screw and nuts made of stainless steel AISI 304.

FEATURES: This part can be used with round and square pins either.

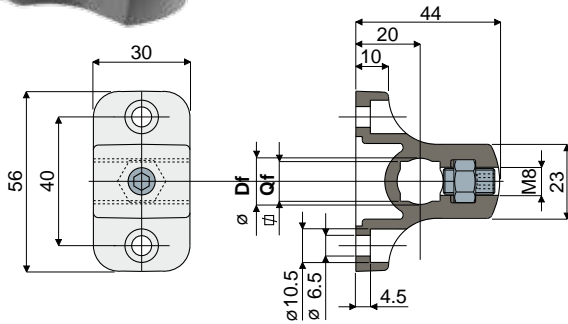
BOX QUANTITY: 24 pieces.

ON REQUEST:

- Clamps: In reinforced polypropylene, other colours.
- Box quantity: According to your request.

Clamps

Part. 238 "T" clamp (to support rails and photocells)



Bore for pin of		Code
Df round (mm)	Qf square (mm)	
10	8	238 / 80985
12	10	238 / 80986
14	12	238 / 80987

MATERIALS: Clamp made of reinforced polyamide black colour; screw and nuts made of stainless steel AISI 304.

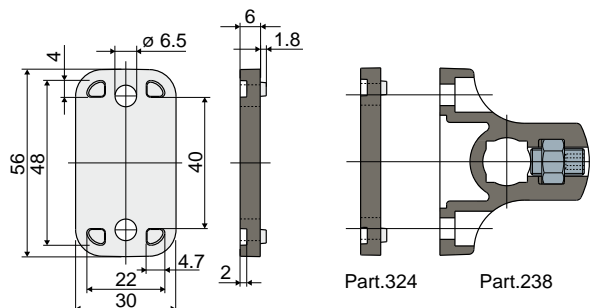
FEATURES: This part can be used with round and square pins either.

BOX QUANTITY: 24 pieces.

ON REQUEST:

- Clamps: With different bores sizes, in reinforced polypropylene, other colours.
- Box quantity: According to your request.

Part. 324 Spacer for clamp (for "T" clamp Part. 238)



Code
324 / 82971

MATERIALS: Spacer made of reinforced polyamide black colour.

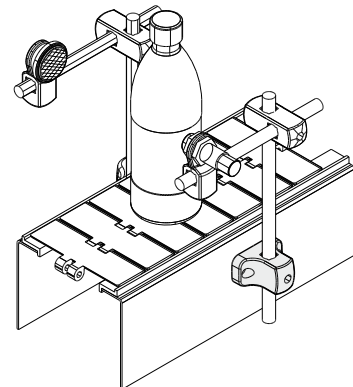
FEATURES: Accessory to be applied to "T" clamp Part.238.

BOX QUANTITY: 24 pieces.

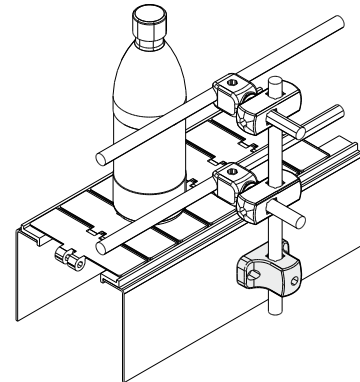
ON REQUEST:

- Spacers: In reinforced polypropylene, other colours.
- Box quantity: According to your request.

Example of applications

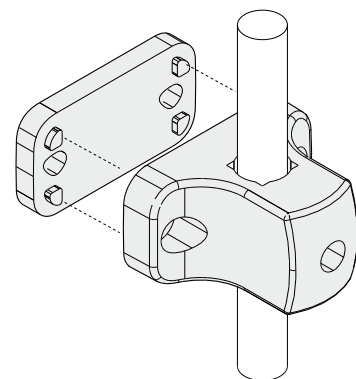


To support photocells



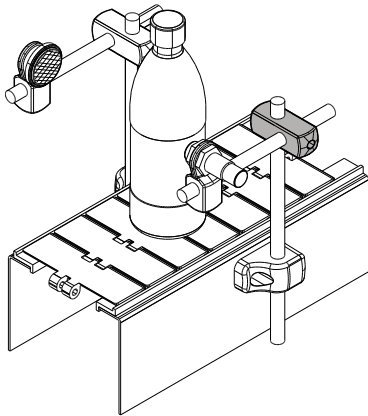
To support guide

Example of application

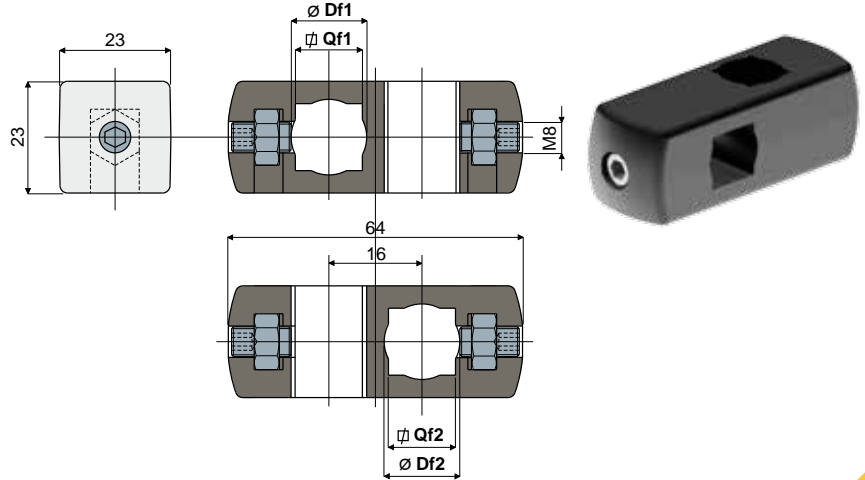


Clamps

Example of application



Cross clamp Part. 239



Bore for pin of		Bore for pin of		Code
Df1 round (mm)	Qf1 square (mm)	Df2 round (mm)	Qf2 square (mm)	
10	8	10	8	239 / 80993
12	10	12	10	239 / 80994
14	12	14	12	239 / 80995

MATERIALS: Clamp made of reinforced polyamide black colour; bolts and nuts made of stainless steel AISI 304.

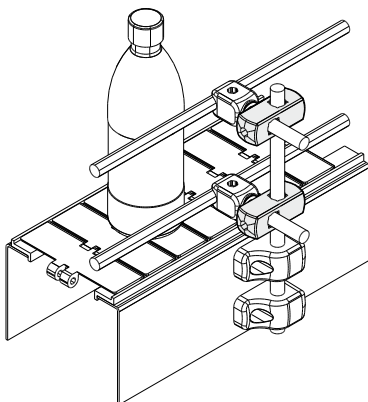
FEATURES: This part can be used with round and square pins either.

BOX QUANTITY: 24 pieces.

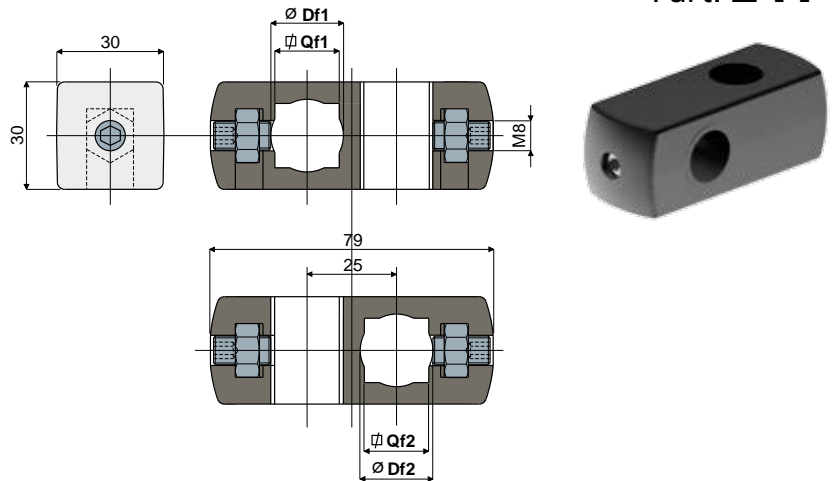
ON REQUEST:

- Clamps: With different bores sizes, in reinforced polypropylene, other colours.
- Box quantity: According to your request.

Example of application



Cross clamp Part. 241



Bore for pin of		Bore for pin of		Code
Df1 round (mm)	Qf1 square (mm)	Df2 round (mm)	Qf2 square (mm)	
14	12	14	12	241 / 80988
15	-	15	-	241 / 80989
16	-	16	-	241 / 80990
18	-	18	-	241 / 80991
20	-	20	-	241 / 80992

MATERIALS: Clamp made of reinforced polyamide black colour; bolts and nuts made of stainless steel AISI 304.

FEATURES: This part can be used with round and square pins either, only in the version Df1 14.

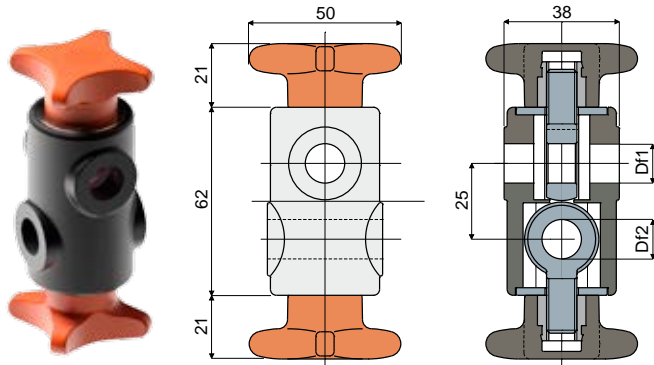
BOX QUANTITY: 24 pieces.

ON REQUEST:

- Clamps: With different bores sizes, in reinforced polypropylene, other colours.
- Box quantity: According to your request.

Clamps

Part. 297 Cross block



Df1 Bore for pin of (mm)	Df2 Bore for pin of (mm)	Code
12	12	297 / 82658

MATERIALS: Housing in reinforced polyamide black colour and knob in reinforced polyamide orange colour; eyebolts in stainless steel AISI 304; threaded insert in nickel plated brass.

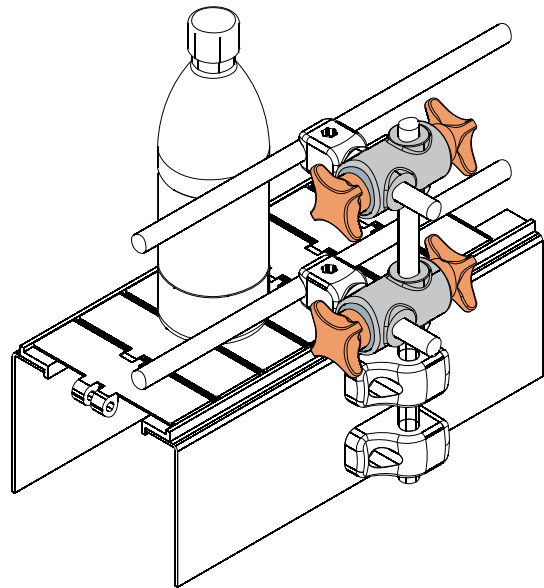
FEATURES: To be used to support the rail-holder pins.

BOX QUANTITY: 24 pieces.

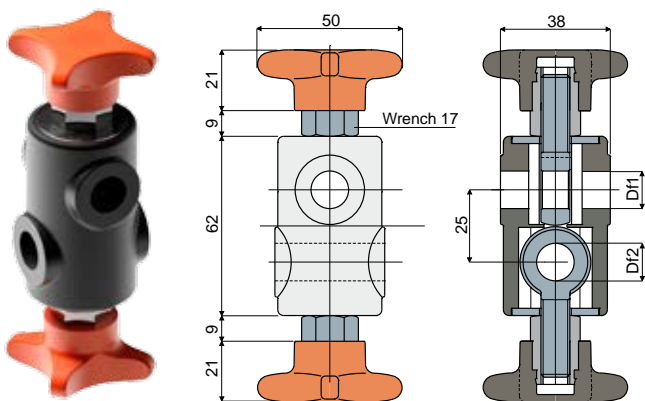
ON REQUEST:

- Housings and Knobs: in reinforced polypropylene, other colours.
- Box quantity: According to your request.

Example of application



Part. 312 Cross block



Df1 Bore for pin of (mm)	Df2 Bore for pin of (mm)	Code
12	12	312 / 82845
12	14	312 / 87811
12	16	312 / 87812
14	14	312 / 82846
14	16	312 / 87813
16	16	312 / 82847

MATERIALS: Housing in reinforced polyamide black colour and knob in reinforced polyamide orange colour; eyebolts in stainless steel AISI 304; threaded insert in nickel plated brass.

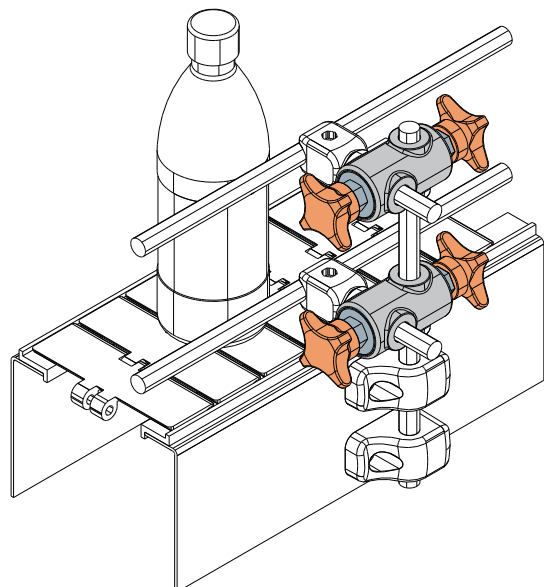
FEATURES: To be used to support the rail-holder pins.

BOX QUANTITY: 24 pieces.

ON REQUEST:

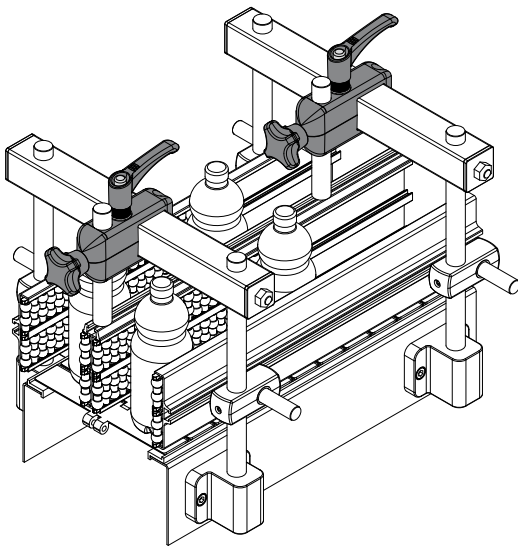
- Housings and Knobs: in reinforced polypropylene, other colours.
- Box quantity: According to your request.

Example of application



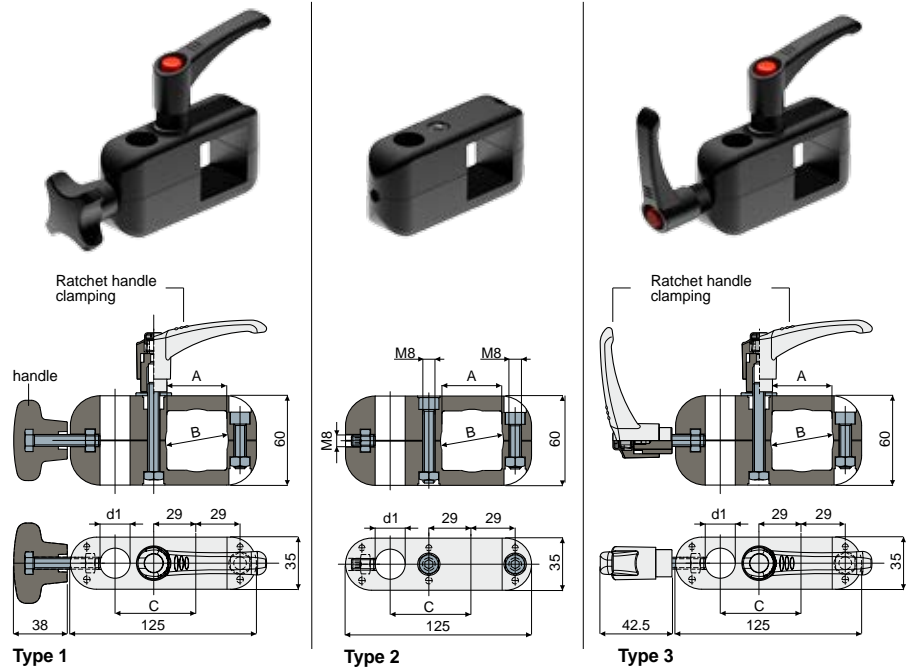
Clamps

Example of application



Cross clamp for central roller guides support

Part. **435**



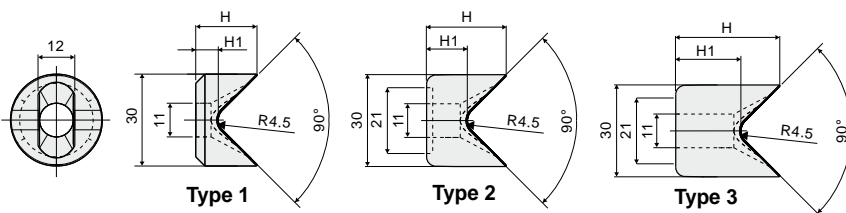
Square tube	Round tube		pin \varnothing	Type 1	Type 2	Type 3
A	B	C	d1	Code	Code	Code
40	42,4	58	15-16	435 / 85166	435 / 85167	435 / 86692
		56	20	435 / 85168	435 / 85169	435 / 86691

MATERIALS: Clamp and handles are made of reinforced polyamide black colour; nuts, screws and washer in stainless steel AISI 304.
FEATURES: They are used to support the central rollers side guides.
BOX QUANTITY: 8 pieces.

ON REQUEST:

- **Assembling of:** Handles, bolts and nuts.
- **Box quantity:** According to your request.

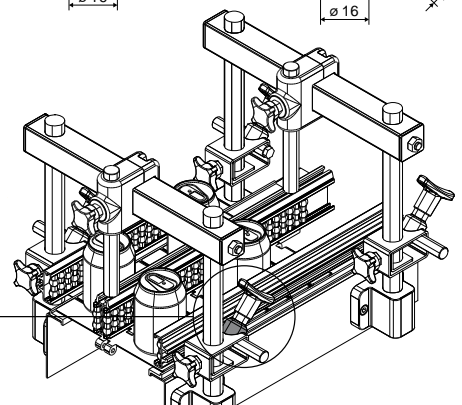
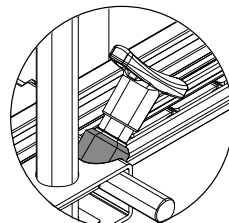
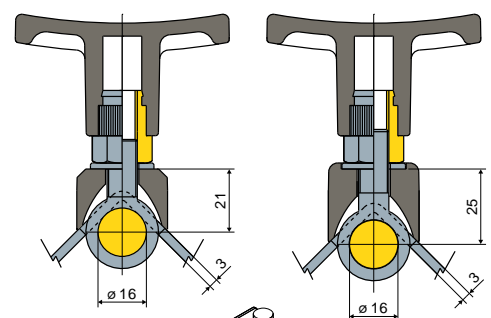
Bushing for eyebolt Part. **333**



H	H1	Type 1
(mm)	(mm)	Code
20	7,3	333 / 83117

H	H1	Type 2
(mm)	(mm)	Code
26	13,3	333 / 83115

H	H1	Type 3
(mm)	(mm)	Code
34	21,3	333 / 84025



MATERIALS: Bushing made of reinforced polyamide black colour.
FEATURES: To be used with the eyebolts to block the pins holding the transport guides.
BOX QUANTITY: 24 pieces.

ON REQUEST:

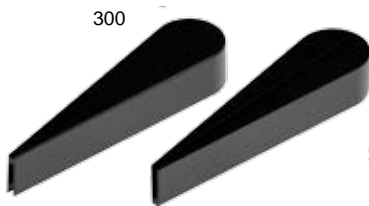
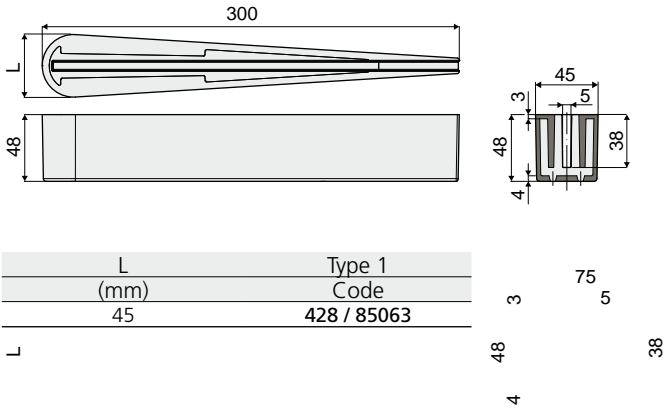
- **Bushings:** With different heights, in reinforced polypropylene, other colours.
- **Box quantity:** According to your request.

Shoes

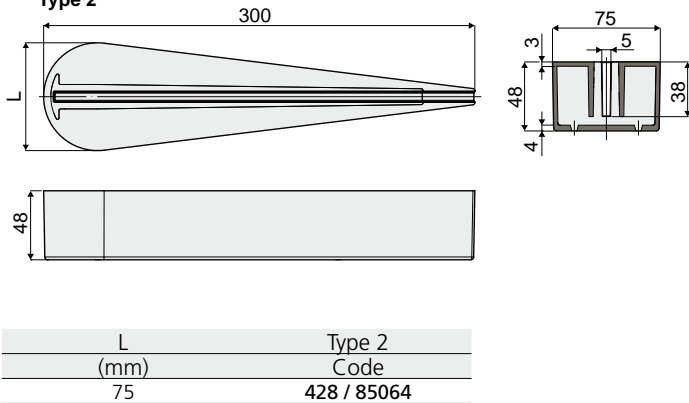
Part. 428 Product guide shoe



Type 1



Type 2



MATERIALS: Internal part made of reinforced polypropylene, black colour; external covering in polyethylene, black colour.

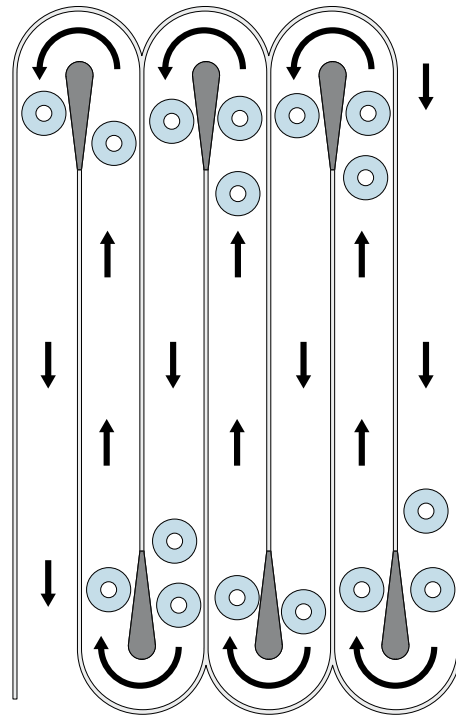
FEATURES: To be used as product guide in the conveyor systems.

BOX QUANTITY: 12 pieces.

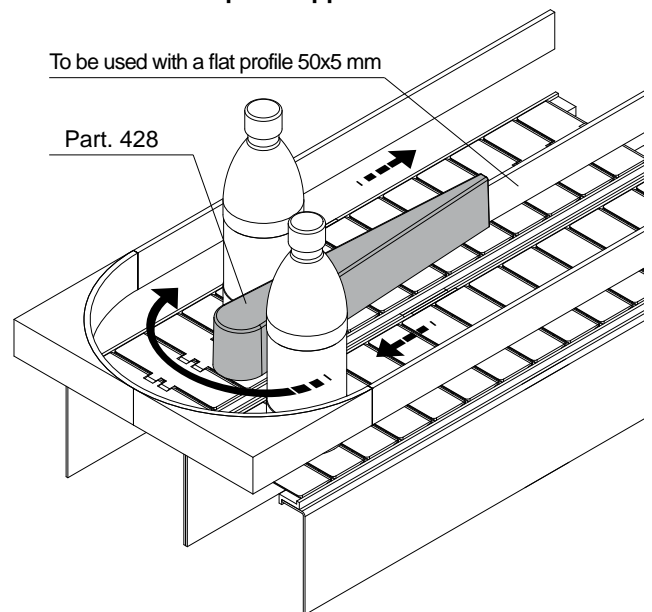
ON REQUEST:

- Box quantity: According to your request.

Example of application

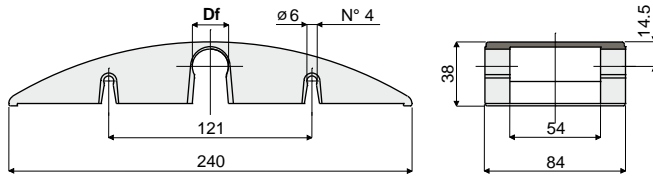


Example of application



Shoes

Self-adjusting sliding shoe for chain return Part. 267



Df Bore for pin of (mm)	Polyamide (black)	Polyethylene (green)
	Code	Code
18	267 / 82038	267 / 82812
20	267 / 82039	267 / 82813

MATERIALS: Sliding shoe is made of polyamide black colour or of polyethylene green colour.

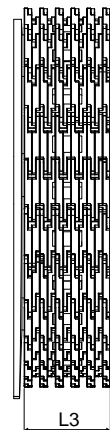
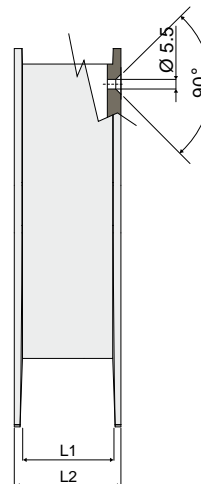
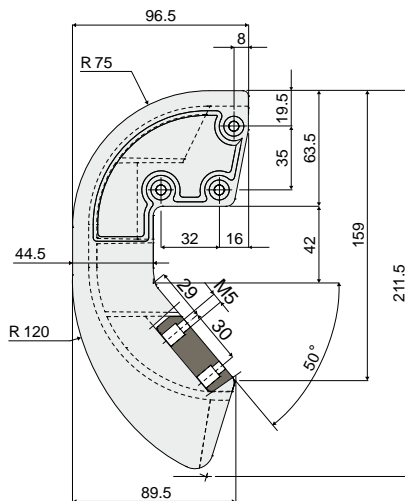
FEATURES: To be assembled in the chain return near to the sprocket. Snap-on assembly.

BOX QUANTITY: 12 pieces.

ON REQUEST:

- Sliding shoes: Other bore sizes, and colours.
- Box quantity: According to your request.

Shoe for chain return Part. 359 (for raised rib chains)



Code	L1	L2	L3 (Chain width)
359 / 83504	41	50	38,5
359 / 83503	49	58,5	47

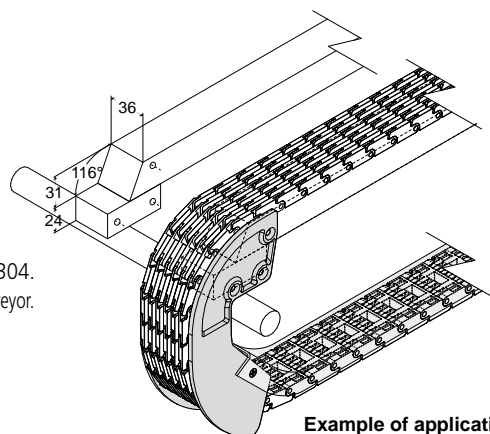
MATERIALS: Shoe in black polyethylene; screws in stainless steel AISI 304.

FEATURES: Supplied complete with screws. To be used in the idler part of the conveyor.

BOX QUANTITY: 8 pieces.

ON REQUEST:

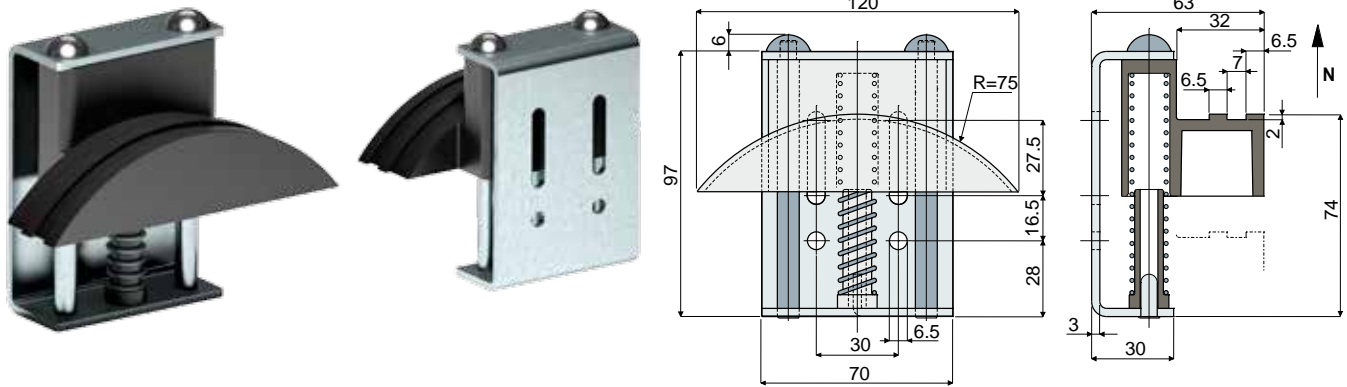
- Shoes: Other colours.
- Box quantity: According to your request.



Example of application

Chain tensioners

Part. 277 Chain tensioner with sliding shoe (for roller chain type DIN 8187 08-B1 and 08-B2)



Code	Min. tension load (N)	Max. tension load (N)
277 / 82068	60	110

MATERIALS: External part, pin and spring are made of zinc plated steel; sliding shoe and spring guide are made of polyamide black colour.

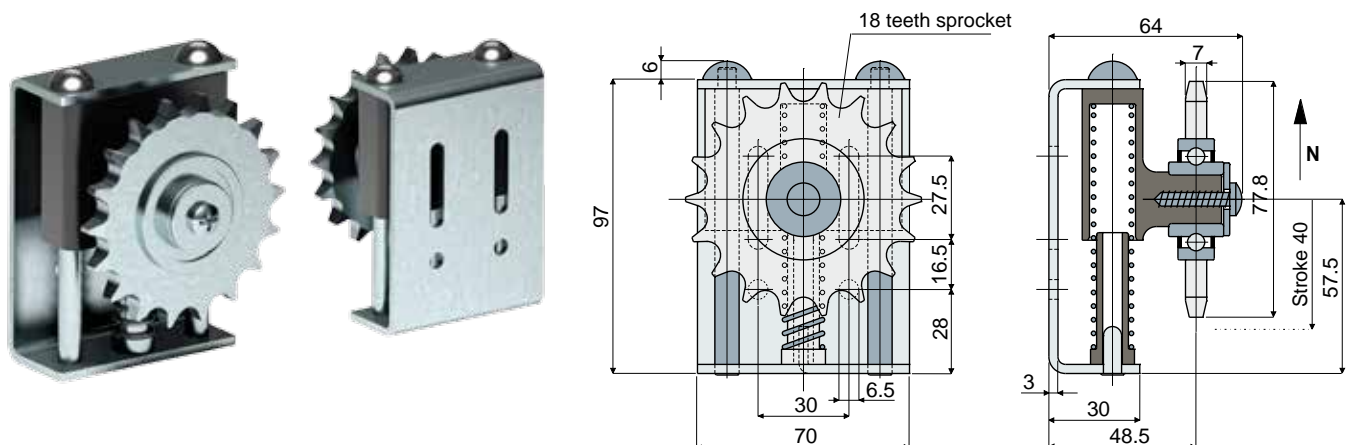
FEATURES: To be assembled in the transmissions with roller chain to stretch it.

BOX QUANTITY: 12 pieces.

ON REQUEST:

- Sliding shoes: Different shapes for different chains, other materials and colours.
- Box quantity: According to your request.

Part. 278 Chain tensioner with sprocket (for roller chain type DIN 8187 08-B1)



Code	Min. tension load (N)	Max. tension load (N)
278 / 82069	60	110

MATERIALS: External part, sprocket, pins and spring are made of zinc plated steel; cursor and spring guide are made of polyamide black colour.

FEATURES: To be assembled in the transmissions with roller chain to stretch it.

BOX QUANTITY: 12 pieces.

ON REQUEST:

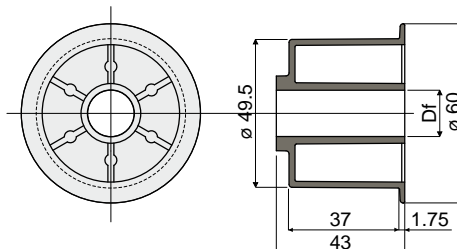
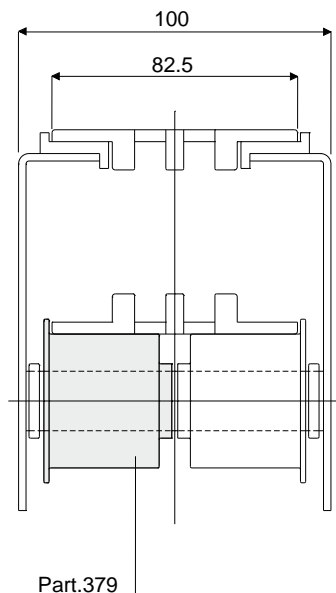
- Sprockets: With other number of teeth.
- Box quantity: According to your request.

Return rollers

Roller for chain return (with flange)

Part. **379**

Example of application



Df Bore for pin of (mm)	Code
15	379 / 84069
20	379 / 84070

MATERIALS: Roller made of reinforced polyamide, black colour.

FEATURES: To be assembled in the chain return.

BOX QUANTITY: 96 pieces.

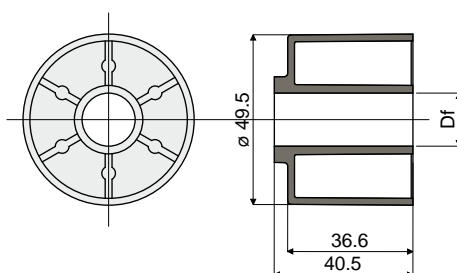
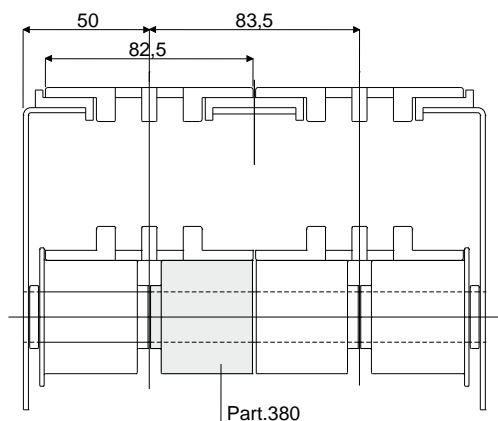
ON REQUEST:

- Rollers: with special bores, in different colours.
- Box quantity: According to your request.

Roller for chain return (without flange)

Part. **380**

Example of application



Df Bore for pin of (mm)	Code
15	380 / 84071
20	380 / 84072

MATERIALS: Roller made of reinforced polyamide, black colour.

FEATURES: To be assembled in the chain return.

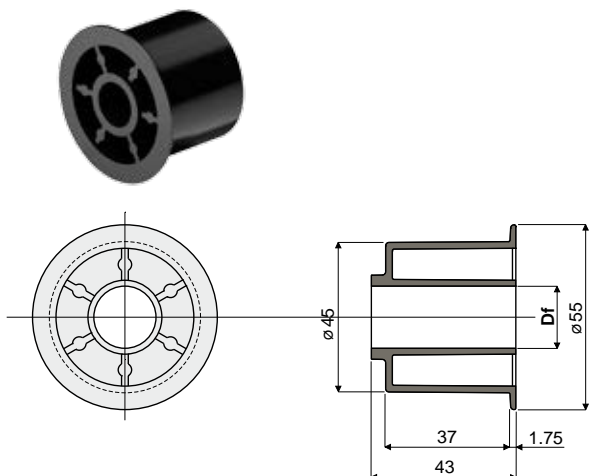
BOX QUANTITY: 96 pieces.

ON REQUEST:

- Rollers: With special bores, in different colours.
- Box quantity: According to your request.

Return rollers

Part. 270 Roller for chain return (with flange)



Df Bore for pin of (mm)	Code
15	270 / 82042
20	270 / 82043

MATERIALS: Roller made of polyamide black colour.

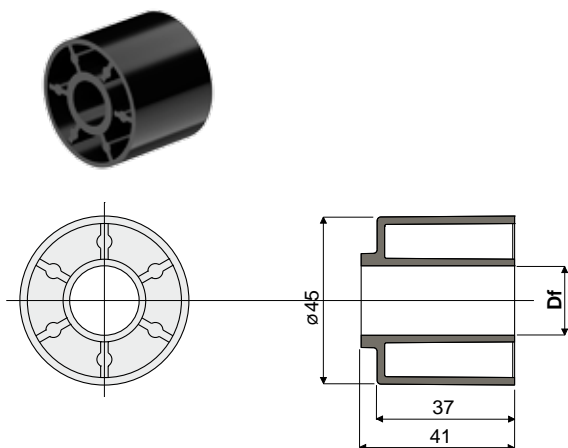
FEATURES: To be assembled in the chain return.

BOX QUANTITY: 96 pieces.

ON REQUEST:

- Rollers: Special bores, other colours.
- Box quantity: According to your request.

Part. 271 Roller for chain return (without flange)



Df Bore for pin of (mm)	Code
15	271 / 82044
20	271 / 82045

MATERIALS: Roller made of polyamide black colour.

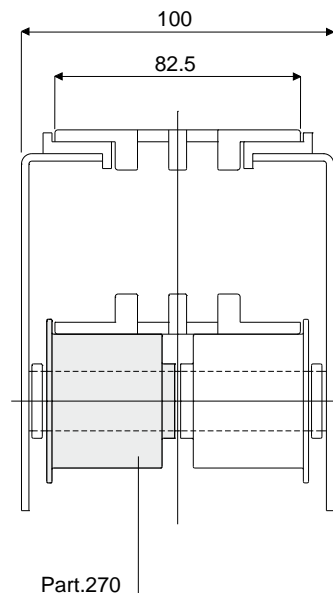
FEATURES: To be assembled in the chain return.

BOX QUANTITY: 96 pieces.

ON REQUEST:

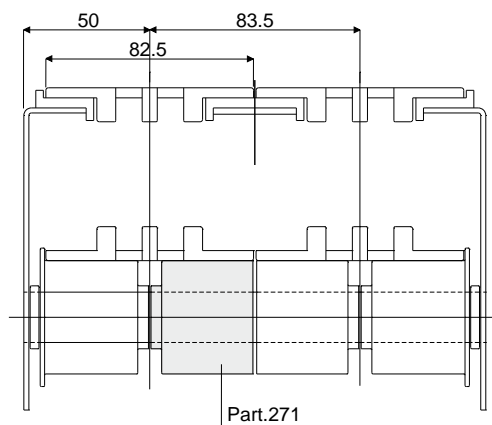
- Rollers: Special bores, other colours.
- Box quantity: According to your request.

Example of application



Part.270

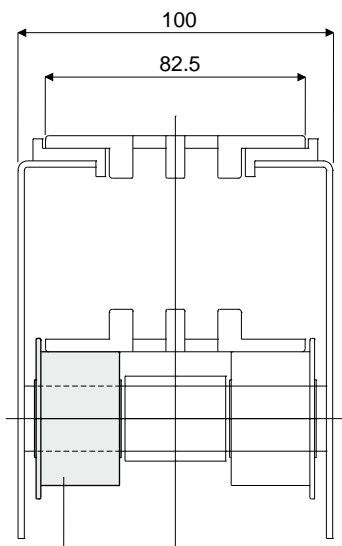
Example of application



Part.271

Return rollers

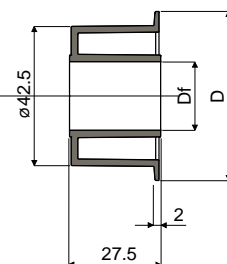
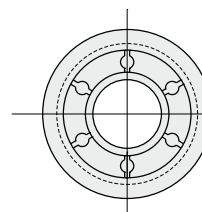
Example of application



Part.273

Roller for chain return (with flange)

Part. **273**



Df Bore for pin of (mm)	D = 51 Code	D = 55 Code
12	273 / 82048	273 / 85337
16	273 / 82049	273 / 85338
18	273 / 82050	273 / 85339
20	273 / 82051	273 / 85340

MATERIALS: Roller made of polyamide black colour.

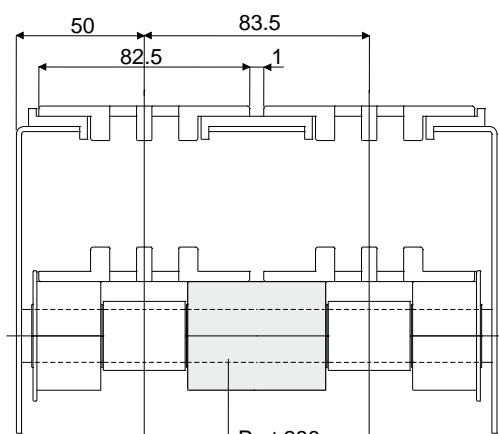
FEATURES: To be assembled in the chain return.

BOX QUANTITY: 96 pieces.

ON REQUEST:

- Rollers: Special bores, other colours.
- Box quantity: According to your request.

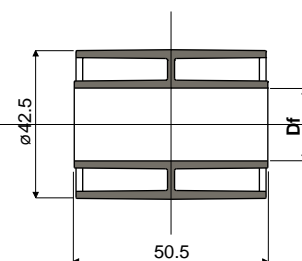
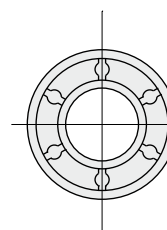
Example of application



Part.286

Double roller for chain return (without central flange)

Part. **286**



Df Bore for pin of (mm)	Code
12	286 / 82532
16	286 / 82533
18	286 / 82534
20	286 / 82535

MATERIALS: Roller made of polyamide black colour.

FEATURES: To be assembled in the chain return.

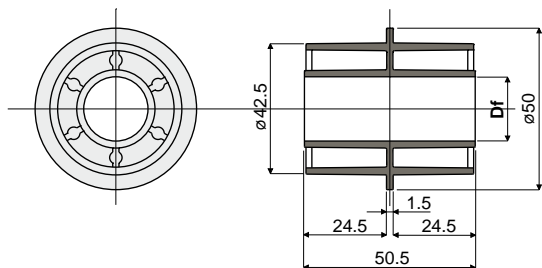
BOX QUANTITY: 96 pieces.

ON REQUEST:

- Rollers: Special bores, other colours.
- Box quantity: According to your request.

Return rollers

Part. 287 Double roller for chain return (with central flange)



Df Bore for pin of (mm)	Code
12	287 / 82536
16	287 / 82537
18	287 / 82538
20	287 / 82539

MATERIALS: Roller made of polyamide black colour.

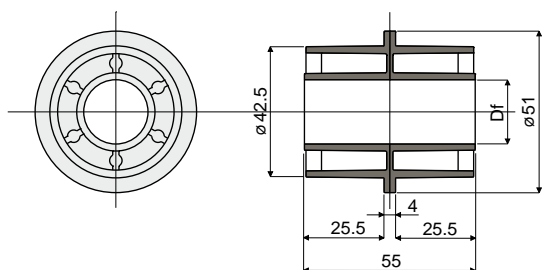
FEATURES: To be assembled in the chain return.

BOX QUANTITY: 96 pieces.

ON REQUEST:

- Rollers: Special bores, other colours.
- Box quantity: According to your request.

Part. 274 Double roller for chain return (with central flange)



Df Bore for pin of (mm)	Code
12	274 / 82052
16	274 / 82053
18	274 / 82054
20	274 / 82055

MATERIALS: Roller made of polyamide black colour.

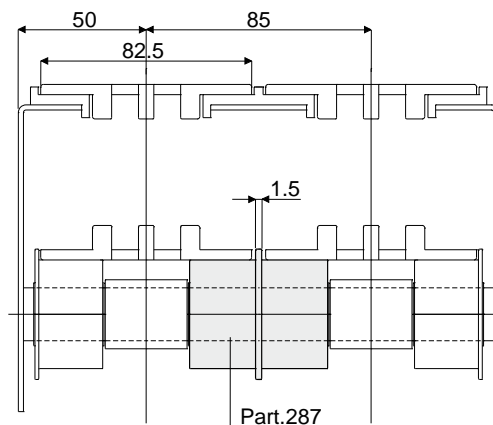
FEATURES: To be assembled in the chain return.

BOX QUANTITY: 96 pieces.

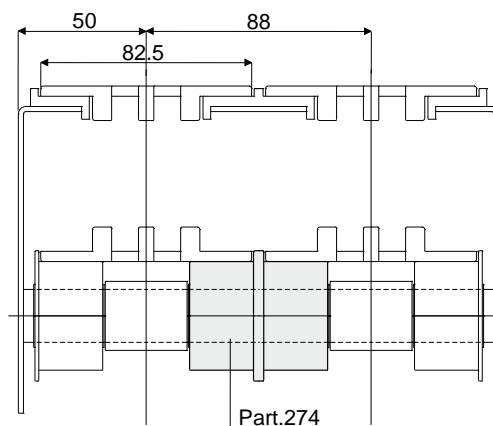
ON REQUEST:

- Rollers: Special bores, other colours.
- Box quantity: According to your request.

Example of application

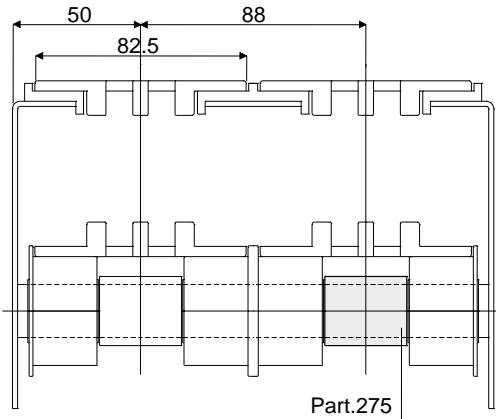


Example of application

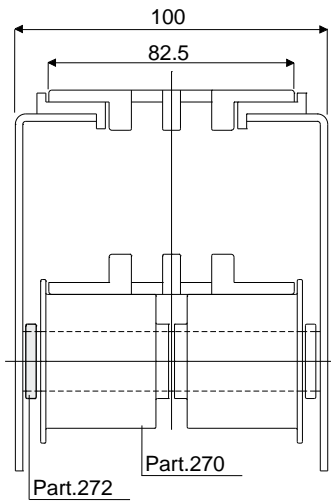


Return rollers

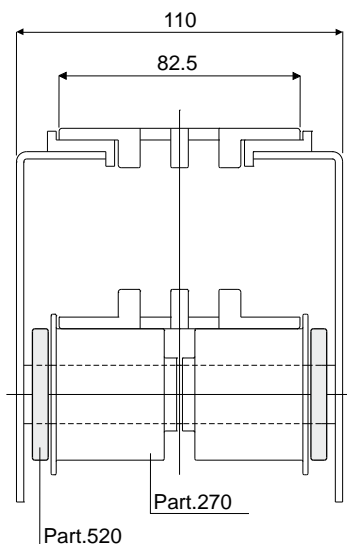
Example of application



Example of application



Example of application

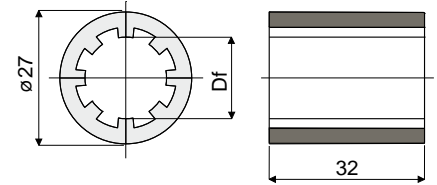


Spacer for rollers for chain return

Part. **275**



Df Bore for pin of (mm)	Code
12	275 / 82056
16	275 / 82057
18	275 / 82058
20	275 / 82059



MATERIALS: Spacer made of polyamide black colour.

FEATURES: To be assembled in the chain return.

BOX QUANTITY: 96 pieces.

ON REQUEST:

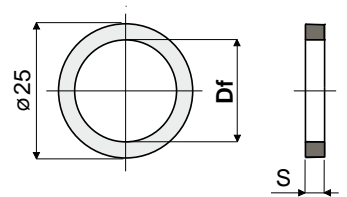
- Spacers: Special bores, other colours.
- Box quantity: According to your request.

Spacer for rollers for chain return

Part. **272**



Df Bore for pin of (mm)	S	Code
15	3,5	272 / 82046
	3,5	272 / 83331
16	5	272 / 86091
	3,5	272 / 82047
20	3,5	272 / 82047
	5	272 / 85186



MATERIALS: Spacer made of polyamide black colour.

FEATURES: To be assembled in the chain return.

BOX QUANTITY: 96 pieces.

ON REQUEST:

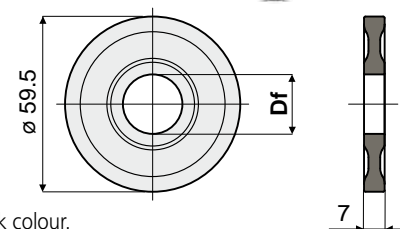
- Spacers: Special bores, other colours.
- Box quantity: According to your request.

Spacer for rollers for chain return

Part. **520**



Df Bore for pin of (mm)	Code
20	520 / 87264



MATERIALS: Spacer made of polypropylene black colour.

FEATURES: To be assembled in the chain return.

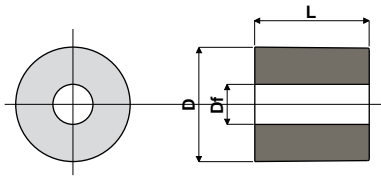
BOX QUANTITY: 96 pieces.

ON REQUEST:

- Spacers: Special bores, other colours.
- Box quantity: According to your request.

Return rollers

Part. 302 Spacer for chain profiles



Df Bore diameter (mm)	D (mm)	L (mm)	Code
7	20	20	302 / 82797
7	20	27,5	302 / 82873

MATERIALS: Spacer made of reinforced polyamide black colour.

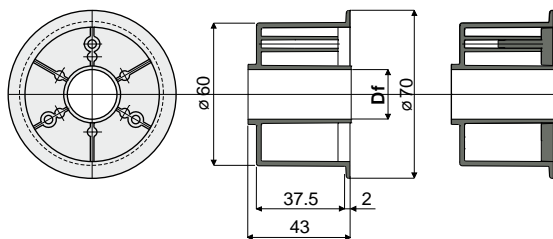
FEATURES: To be used as fixing spacer for chain profiles.

BOX QUANTITY: 96 pieces.

ON REQUEST:

- Spacers: With special bores and sizes.
- Box quantity: According to your request.

Part. 250 Roller for chain return (with flange)



Without cap closure

With cap closure

Df Bore for pin of (mm)	Without cap closure Code	With cap closure Code
15	250 / 82201	250 / 82219
16	250 / 82202	250 / 82220
18	250 / 82203	250 / 82221
20	250 / 82204	250 / 82222

MATERIALS: Roller made out of polyamide black colour; cap made out of polyamide grey colour.

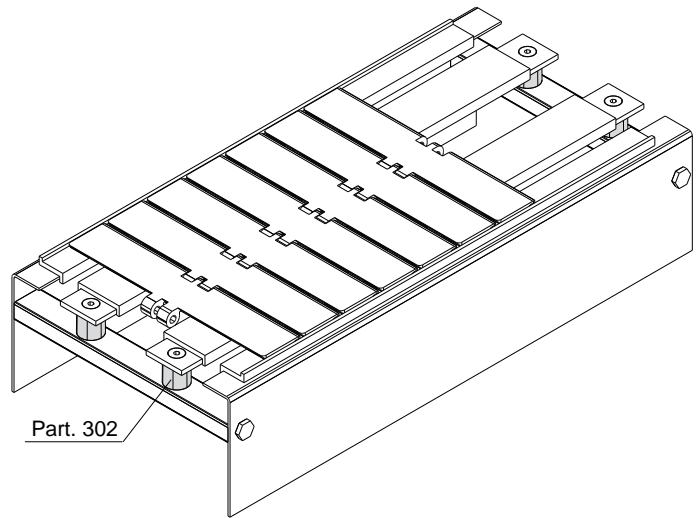
FEATURES: To be assembled in the chain return.

BOX QUANTITY: 96 pieces.

ON REQUEST:

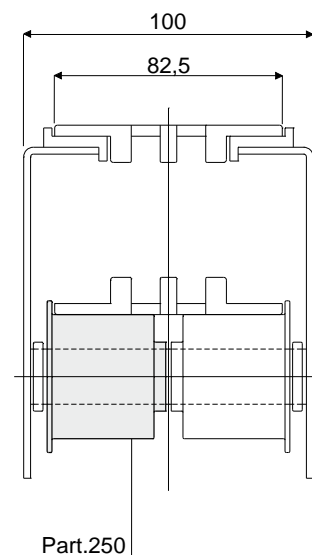
- Rollers: Special bores, other colours.
- Box quantity: According to your request.

Example of application



Part. 302

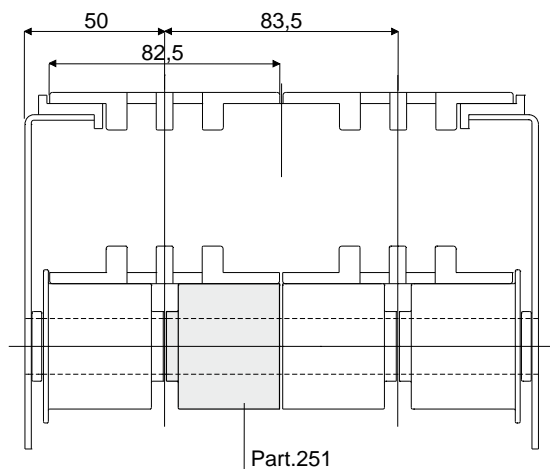
Example of application



Part.250

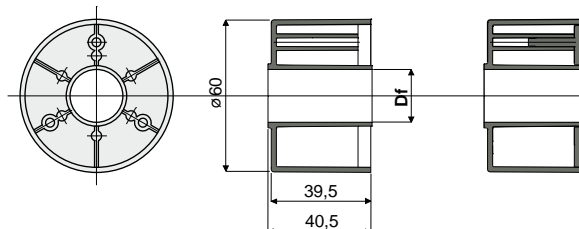
Return rollers

Example of application



Part.251

Roller for chain return (without flange) Part. 251



Without cap closure

With cap closure

Df Bore for pin of (mm)	Without cap closure	With cap closure
	Code	Code
15	251 / 82205	251 / 82223
16	251 / 82206	251 / 82224
18	251 / 82207	251 / 82225
20	251 / 82208	251 / 82226

MATERIALS: Roller made out of polyamide black colour; cap made out of polyamide grey colour.

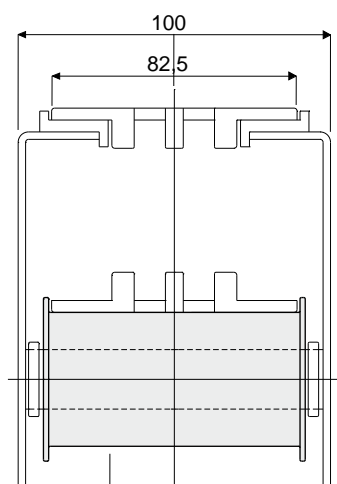
FEATURES: To be assembled in the chain return.

BOX QUANTITY: 96 pieces.

ON REQUEST:

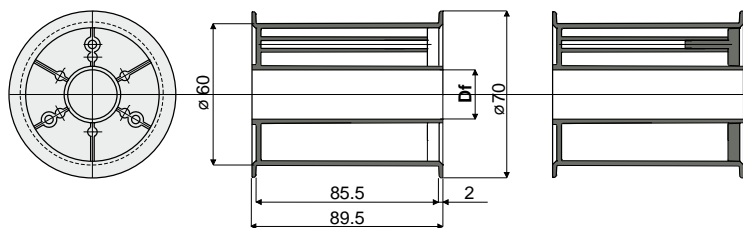
- Rollers: Special bores, other colours.
- Box quantity: According to your request.

Example of application



Part.296

Roller for chain return (with double flange) Part. 296



Without cap closure

With cap closure

Df Bore for pin of (mm)	Without cap closure	With cap closure
	Code	Code
12	296 / 82611	296 / 82612
14	296 / 82613	296 / 82614
15	296 / 82615	296 / 82616
16	296 / 82617	296 / 82618
18	296 / 82619	296 / 82620
20	296 / 82621	296 / 82622

MATERIALS: Roller made out of polyamide black colour; cap made out of polyamide grey colour.

FEATURES: To be assembled in the chain return.

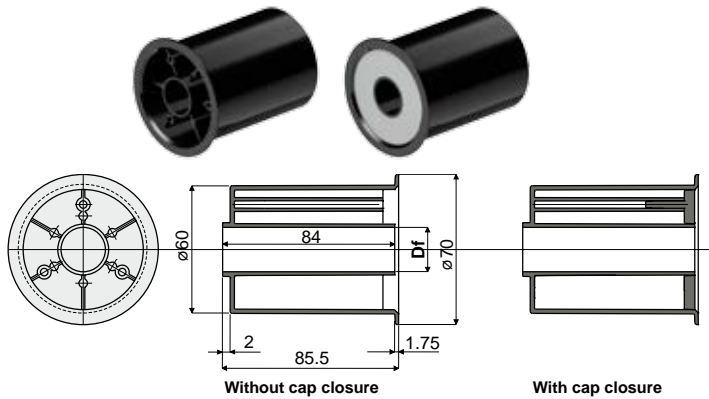
BOX QUANTITY: 48 pieces.

ON REQUEST:

- Rollers: Special bores, other colours.
- Box quantity: According to your request.

Return rollers

Part. 252 Roller for chain return (with flange)



Df Bore for pin of (mm)	Without cap closure		With cap closure	
	Code		Code	
12	252 / 82624		252 / 82625	
14	252 / 82258		252 / 82259	
15	252 / 82227		252 / 82231	
16	252 / 82228		252 / 82232	
18	252 / 82229		252 / 82233	
20	252 / 82230		252 / 82234	
25	252 / 83307		-	
30	252 / 83309		-	

MATERIALS: Roller made out of polyamide black colour; cap made out of polyamide grey colour.

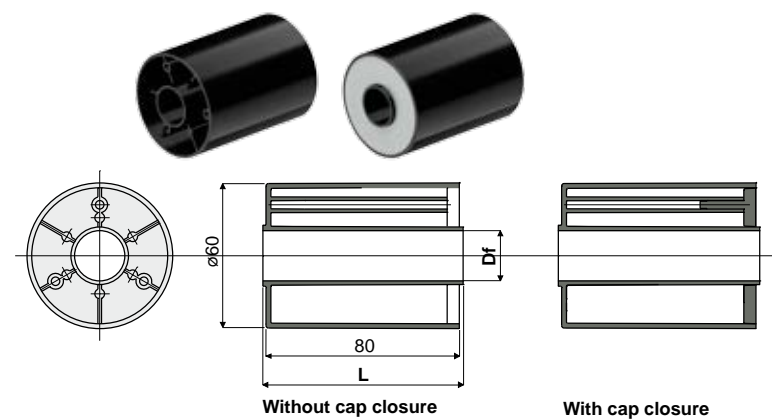
FEATURES: To be assembled in the chain return.

BOX QUANTITY: 48 pieces.

ON REQUEST:

- Rollers: Special bores, other colours.
- Box quantity: According to your request.

Part. 253 Roller for chain return (without flange)



Df Bore for pin of (mm)	Without cap closure		With cap closure	
	L = 82 mm Code	L = 84 mm Code	L = 82 mm Code	L = 84 mm Code
12	253 / 82626	253 / 82627	253 / 82628	253 / 82629
14	253 / 82260	253 / 82261	253 / 82262	253 / 82263
15	253 / 82235	253 / 82239	253 / 82243	253 / 82247
16	253 / 82236	253 / 82240	253 / 82244	253 / 82248
18	253 / 82237	253 / 82241	253 / 82245	253 / 82249
20	253 / 82238	253 / 82242	253 / 82246	253 / 82250
25	-	253 / 83313	-	-
30	-	253 / 83314	-	-

MATERIALS: Roller made out of polyamide black colour; cap made out of polyamide grey colour.

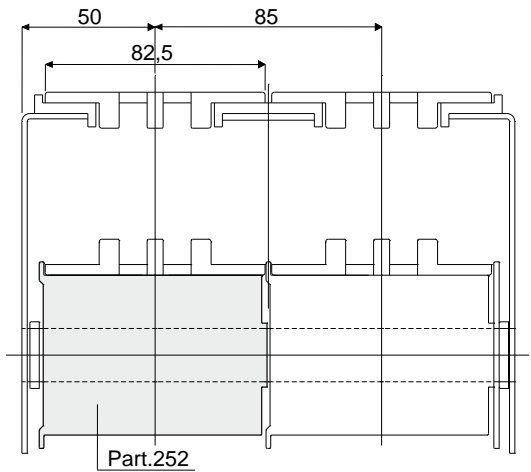
FEATURES: To be assembled in the chain return.

BOX QUANTITY: 48 pieces.

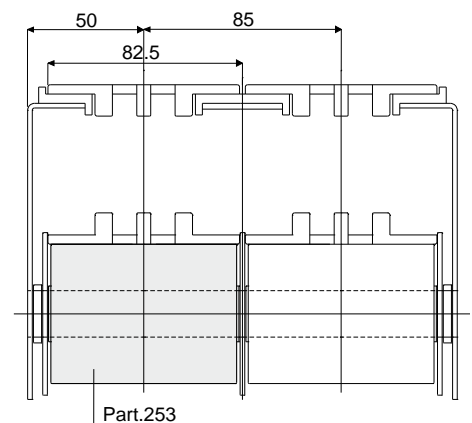
ON REQUEST:

- Rollers: Special bores, other colours.
- Box quantity: According to your request.

Example of application

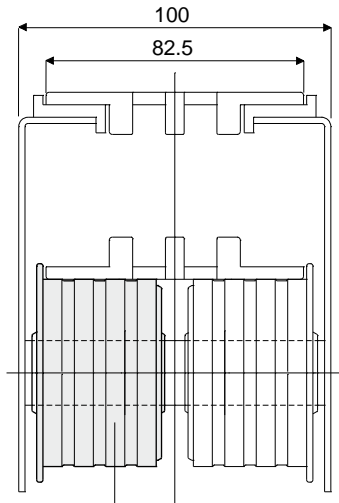


Example of application



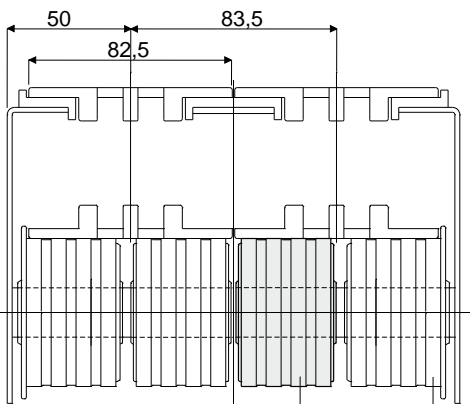
Return rollers

Example of application



Part.249

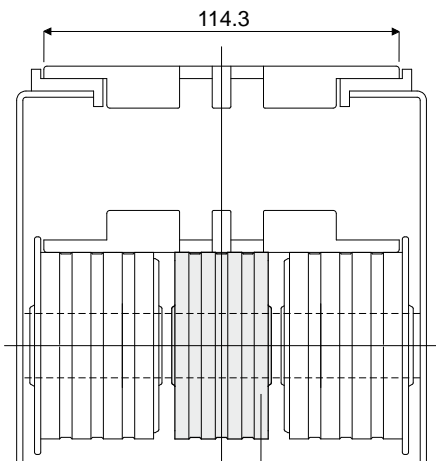
Example of application



Part.245

Part.249

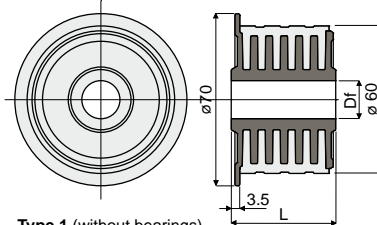
Example of application



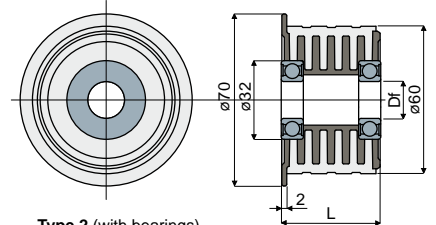
Part.399

Roller with rubber for chain return (with flange)

Part. **249**



Type 1 (without bearings)



Type 2 (with bearings)

Df Bore for pin of (mm)	L (mm)	Type 1 (without bearings) Code
15	22	249 / 85346
15	43	249 / 82021
16	22	249 / 85347
16	43	249 / 82022
18	22	249 / 85348
18	43	249 / 82023
20	22	249 / 85349
20	43	249 / 82024

Df Bore for pin of (mm)	L (mm)	Type 2 (with bearings) Code	Type of bearings
15	40.5	249 / 83642	6002-ZZ

MATERIALS: Internal part is made of polyamide black colour; external rubber is made of thermoplastic rubber grey colour 65 Shore; bearing made of chrome steel.

FEATURES: This roller is completely closed, total lack of internal cavities to obtain the maximum level of cleanability and noiselessness during working operations.

BOX QUANTITY: 48 pieces.

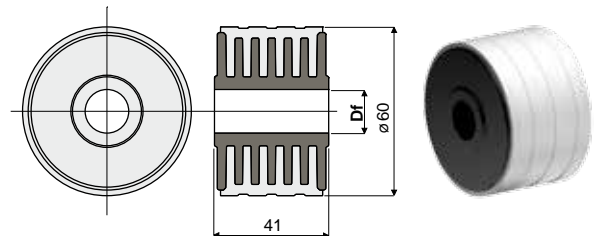
ON REQUEST:

- Rollers: Special bores, other colours.
- Box quantity: According to your request.

Roller with rubber for chain return (without flange)

Part. **245**

Df Bore for pin of (mm)	Code
12	245 / 84180
15	245 / 82017
16	245 / 82018
18	245 / 82019
20	245 / 82020



MATERIALS: Internal part is made of polyamide black colour; external rubber is made of thermoplastic rubber grey colour 65 Shore.

FEATURES: This roller is completely closed, total lack of internal cavities to obtain the maximum level of cleanability and noiselessness during working operations.

BOX QUANTITY: 48 pieces.

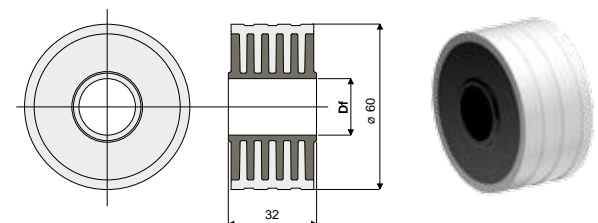
ON REQUEST:

- Rollers: Special bores, other colours.
- Box quantity: According to your request.

Roller with rubber for chain return (without flange)

Part. **399**

Df Bore for pin of (mm)	Code
12	399 / 84304
15	399 / 84305
16	399 / 84306
18	399 / 84307
20	399 / 84308



MATERIALS: Internal part is made of polyamide black colour; external rubber is made of thermoplastic rubber grey colour 65 Shore.

FEATURES: This roller is completely closed, total lack of internal cavities to obtain the maximum level of cleanability and noiselessness during working operations.

BOX QUANTITY: 48 pieces.

ON REQUEST:

- Rollers: Special bores, other colours.
- Box quantity: According to your request.

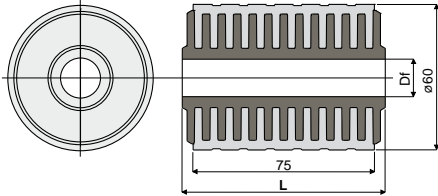
Return rollers

Part. 293

Roller with rubber for chain return (without flange)



Df Bore for pin of (mm)	L = 82 mm	L = 84 mm
	Code	Code
12	293 / 82789	293 / 82833
15	293 / 82580	293 / 82581
16	293 / 82582	293 / 82583
18	293 / 82584	293 / 82585
20	293 / 82586	293 / 82587
25	293 / 87465	293 / 87466
30	293 / 87467	293 / 87468



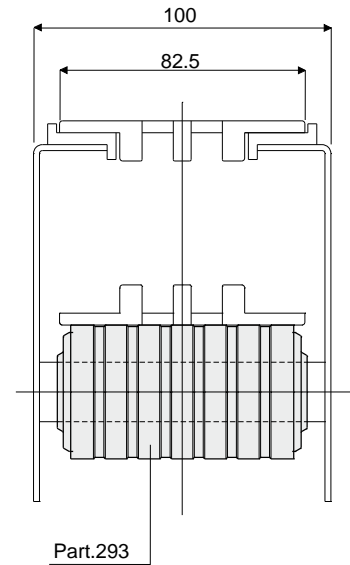
MATERIALS: Internal part is made of polyamide black colour; external rubber is made of thermoplastic rubber grey colour 65 Shore.
FEATURES: This roller is completely closed, total lack of internal cavities to obtain the maximum level of cleanability and noiselessness during working operations.

BOX QUANTITY: 48 pieces.

ON REQUEST:

- Rollers: Special bores, other colours.
- Box quantity: According to your request.

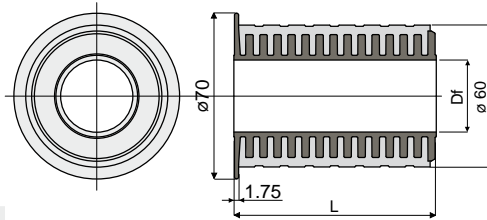
Example of application



Part.293

Part. 525

Roller with rubber for chain return (with flange)



Df Bore for pin of (mm)	L (mm)	Code
30	85,5	525 / 87379

MATERIALS: Internal part is made of polyamide black colour; external rubber is made of thermoplastic rubber grey colour 65 Shore.

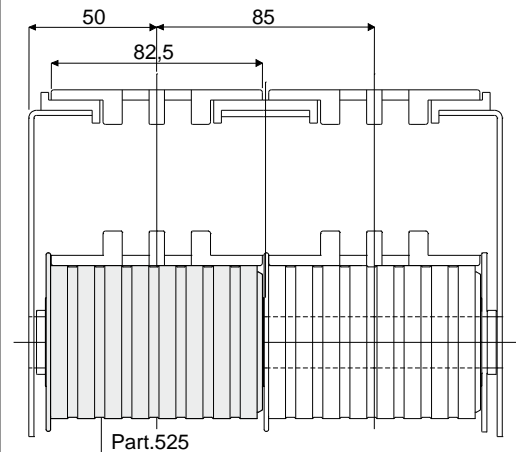
FEATURES: This roller is completely closed, total lack of internal cavities to obtain the maximum level of cleanability and noiselessness during working operations.

BOX QUANTITY: 48 pieces.

ON REQUEST:

- Rollers: Special bores, other colours.
- Box quantity: According to your request.

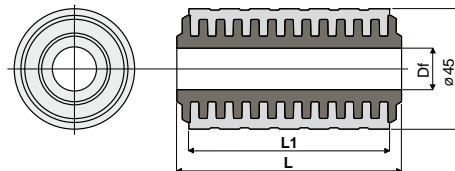
Example of application



Part.525

Part. 276

Roller with rubber for chain return (without flange)



Df Bore for pin of (mm)	L = 41 mm L1 = 36 mm	L = 82 mm L1 = 75 mm	L = 84 mm L1 = 75 mm
	Code	Code	Code
12	276 / 85466	276 / 82853	276 / 82855
15	276 / 85462	276 / 82060	276 / 82061
16	276 / 85463	276 / 82062	276 / 82063
18	276 / 85464	276 / 82064	276 / 82065
20	276 / 85465	276 / 82066	276 / 82067

MATERIALS: Internal part is made of polyamide black colour; external rubber is made of thermoplastic rubber grey colour 65 Shore.

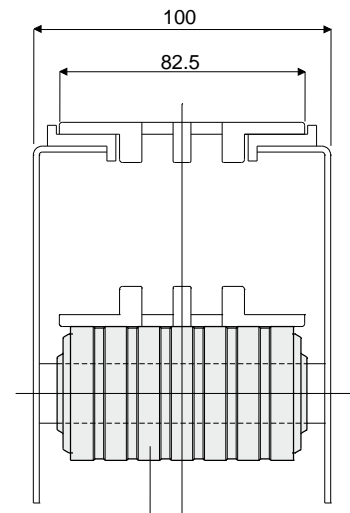
FEATURES: This roller is completely closed, total lack of internal cavities to obtain the maximum level of cleanability and noiselessness during working operations.

BOX QUANTITY: 48 pieces.

ON REQUEST:

- Rollers: Special bores, other colours.
- Box quantity: According to your request.

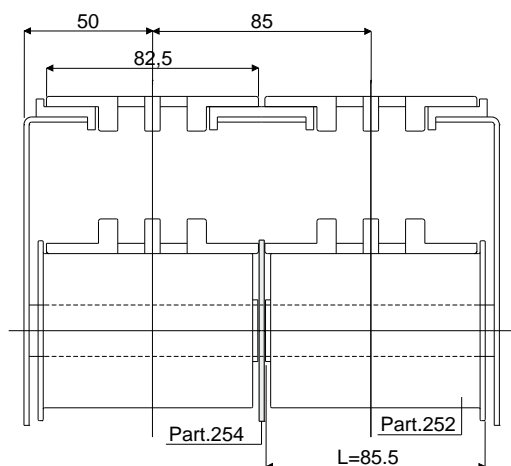
Example of application



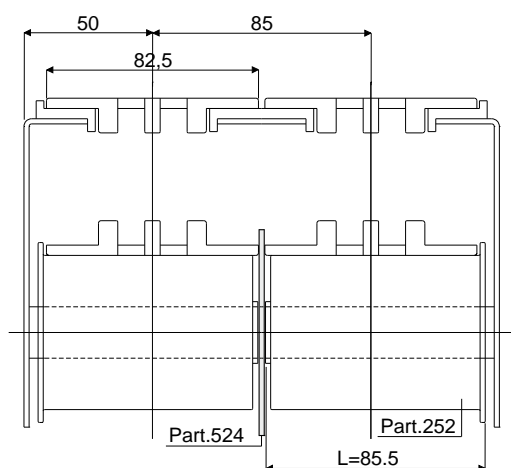
Part.276

Return rollers

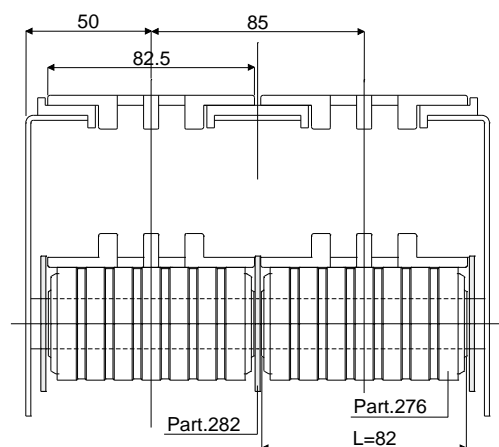
Example of application



Example of application



Example of application

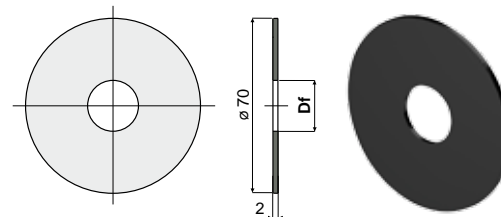


Flange for chain guide

(for roller Part. 251, 252, 253, 245, 293, 250, 249, 399, 525)

Part. 254

Df Bore for pin of (mm)	Code
12	254 / 82630
14	254 / 82264
15	254 / 82251
16	254 / 82252
18	254 / 82253
20	254 / 82254



MATERIALS: Flange is made of polypropylene black colour.

FEATURES: To be assembled to our roller for chain return Part.251, 252, 253, 245, 293, 250, 249, 399, 525.

BOX QUANTITY: 96 pieces.

ON REQUEST:

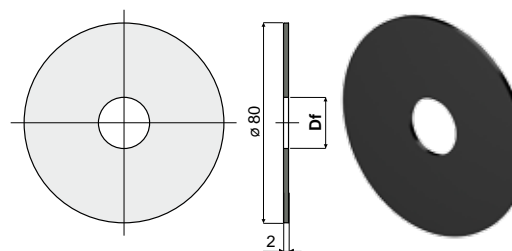
- Flanges: Special bores, other colours.
- Box quantity: According to your request.

Flange for chain guide

(for roller Part. 251, 252, 253, 245, 293, 250, 249, 399, 525)

Part. 524

Df Bore for pin of (mm)	Code
12	524 / 87385
16	524 / 87388
20	524 / 87390



MATERIALS: Flange is made of polypropylene black colour.

FEATURES: To be assembled to our roller for chain return Part.251, 252, 253, 245, 293, 250, 249, 399, 525.

BOX QUANTITY: 96 pieces.

ON REQUEST:

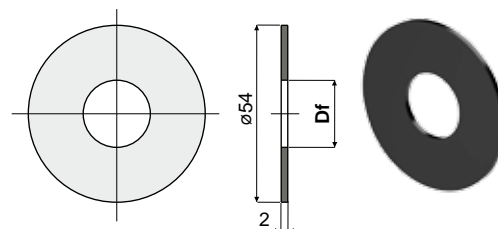
- Flanges: Special bores, other colours.
- Box quantity: According to your request.

Flange for chain guide

(for Part. 276, 271, 270)

Part. 282

Df Bore for pin of (mm)	Code
15	282 / 82154
16	282 / 82155
18	282 / 82156
20	282 / 82157



MATERIALS: Flange is made of polypropylene black colour.

FEATURES: To be assembled to our roller for chain return Part.276, 271, 270.

BOX QUANTITY: 96 pieces.

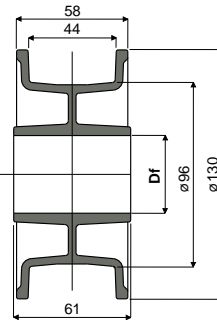
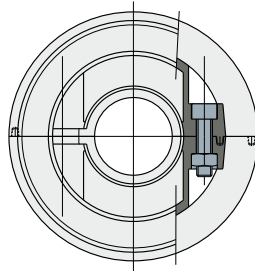
ON REQUEST:

- Flanges: Special bores, other colours.
- Box quantity: According to your request.

Idler wheels

Split idler wheel 21 teeth (for chains series 812-815-820-831)

Part. **311**



Df Bore for pin of (mm)	Code
25	311 / 82841
30	311 / 82842
35	311 / 82843
40	311 / 82844

MATERIALS: Wheel made of polyamide black colour; bolts and nuts made of stainless steel AISI 304.

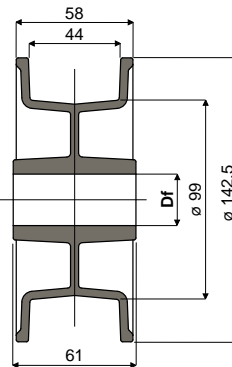
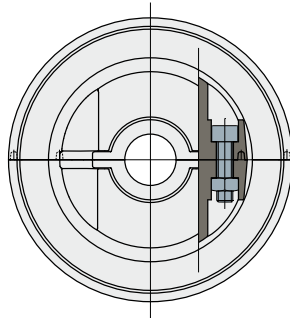
FEATURES: Supplied assembled. To be used for chain return in the series 812, 815, 820, 831.

BOX QUANTITY: 12 pieces.

ON REQUEST:

- Wheels: With special bores, other colours.
- Box quantity: According to your request.

Part. **529** Split idler wheel 23 teeth (for chains series 812-815-820-831)



Df Bore for pin of (mm)	Code
25	529 / 87589
30	529 / 87590
35	529 / 87591
40	529 / 87592

MATERIALS: Wheel made of polyamide black colour; bolts and nuts made of stainless steel AISI 304.

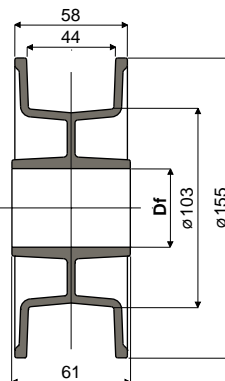
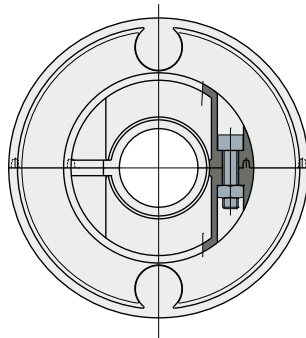
FEATURES: Supplied assembled. To be used for chain return in the series 812, 815, 820, 831.

BOX QUANTITY: 12 pieces.

ON REQUEST:

- Wheels: With special bores, other colours.
- Box quantity: According to your request.

Part. **285** Split idler wheel 25 teeth (for chains series 812-815-820-831)



Df Bore for pin of (mm)	Code
25	285 / 82526
30	285 / 82528
35	285 / 82529
40	285 / 82530

MATERIALS: Wheel made of polyamide black colour; bolt and nuts made of stainless steel AISI 304.

FEATURES: Supplied assembled. To be used for chains Series 812, 815, 820, 831.

BOX QUANTITY: 12 pieces.

ON REQUEST:

- Wheels: With special bores, other colours, with customer brand.
- Box quantity: According to your request.

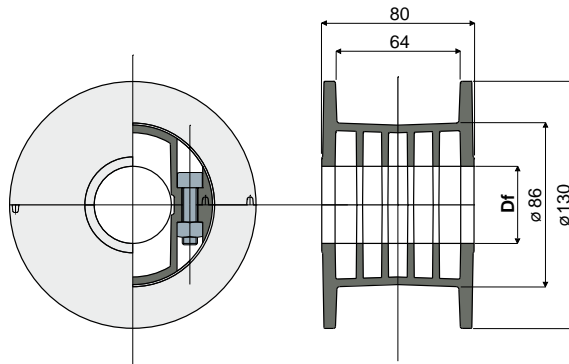
Idler wheels

Split idler wheel 10 teeth

(for chains series 879 TAB, 880 TAB and 881 TAB)

Part. **310**

Df Bore for pin of (mm)	Code
20	310 / 82827
25	310 / 82828
30	310 / 82829
35	310 / 82830
40	310 / 82831



MATERIALS: Wheel made of polyamide black colour; bolts and nuts made of stainless steel AISI 304.

FEATURES: Supplied assembled. To be used with chains Part.710, 711, 713.

BOX QUANTITY: 12 pieces.

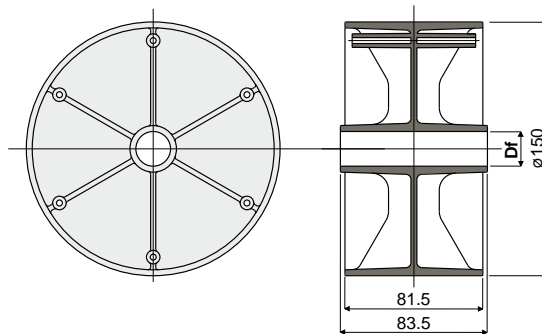
ON REQUEST:

- Wheels: With special bores, other colours.
- Box quantity: According to your request.

Idler wheel for chain return

Part. **268**

Df Bore for pin of (mm)	Code
20	268 / 82040



MATERIALS: Wheel in polyamide black colour.

FEATURES: To be assembled in the chain return near to the sprocket.

BOX QUANTITY: 12 pieces.

ON REQUEST:

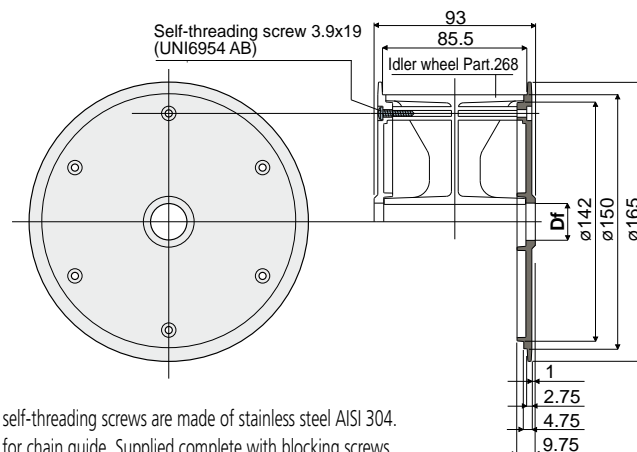
- Wheels: Other bore sizes, materials and colours.
- Box quantity: According to your request.

Flange for chain guide

(for idler wheel Part. 268)

Part. **269**

Df Bore for pin of (mm)	Code
20	269 / 82041



MATERIALS: Flange is made of polyamide black colour; self-threading screws are made of stainless steel AISI 304.

FEATURES: To be assembled to our idler wheel Part.268 for chain guide. Supplied complete with blocking screws.

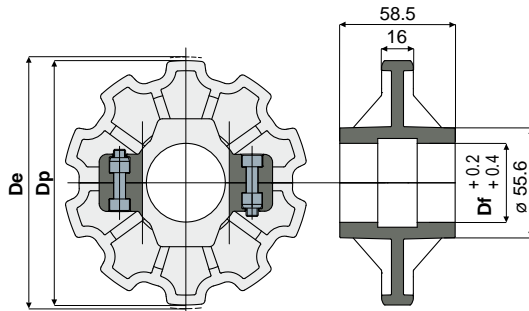
BOX QUANTITY: 24 pieces.

ON REQUEST:

- Flanges: Other bore sizes, materials and colours.
- Box quantity: According to your request.

Idler wheels

Part. 455 Split idler wheel 10 teeth (for chains series 879, 879 TAB, 880, 880 TAB)



Df (mm)	Dp (mm)	De (mm)	Code
25	123,3	122,5	455 / 85420
30	123,3	122,5	455 / 85421
35	123,3	122,5	455 / 85422
40	123,3	122,5	455 / 85423

MATERIALS: Wheel made of polyamide black colour; screws made of stainless steel AISI 304, nuts in nickel plated brass.

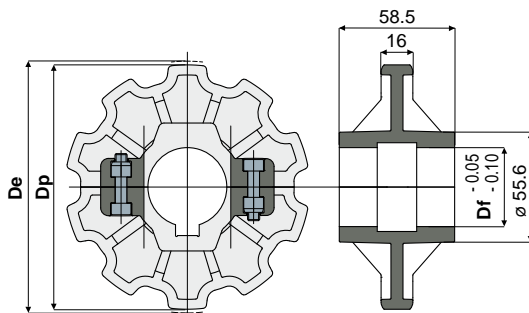
FEATURES: To be used with chains Part.710, 711, 713.

BOX QUANTITY: 8 pieces.

ON REQUEST:

- Wheels: In other materials.
- Box quantity: According to your request.

Part. 454 Split sprocket 10 teeth (for chains series 879, 879 TAB, 880, 880 TAB)



Df (mm)	Dp (mm)	De (mm)	Code
25	123,3	122,5	454 / 85416
30	123,3	122,5	454 / 85417
35	123,3	122,5	454 / 85418
40	123,3	122,5	454 / 85419

MATERIALS: Wheel made of reinforced polyamide black colour; screws made of stainless steel AISI 304, nuts in nickel plated brass.

FEATURES: Dimensions of the keyway UNI 6604-69 - DIN 6885/1.

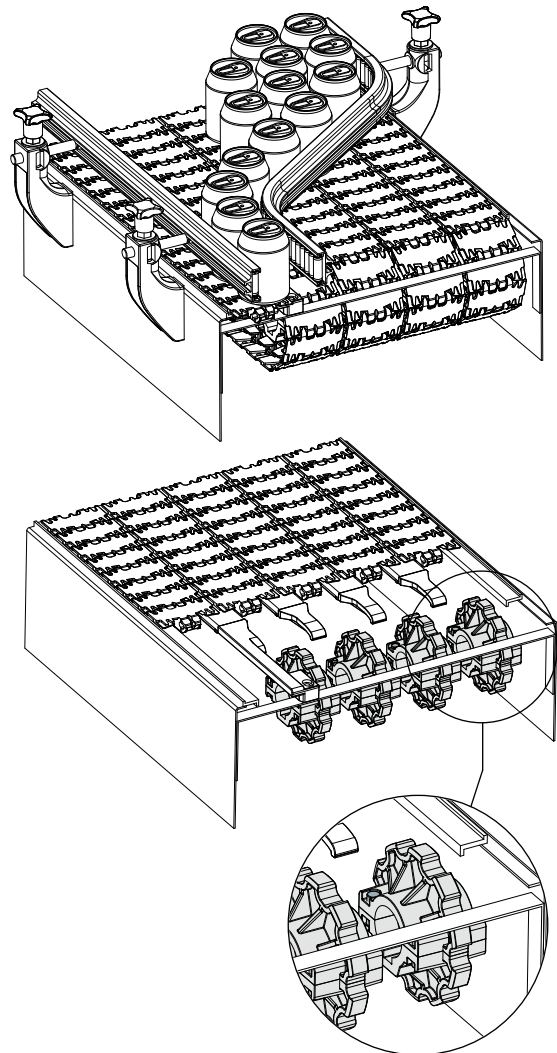
To be used with chains Part.710, 711, 713.

BOX QUANTITY: 8 pieces.

ON REQUEST:

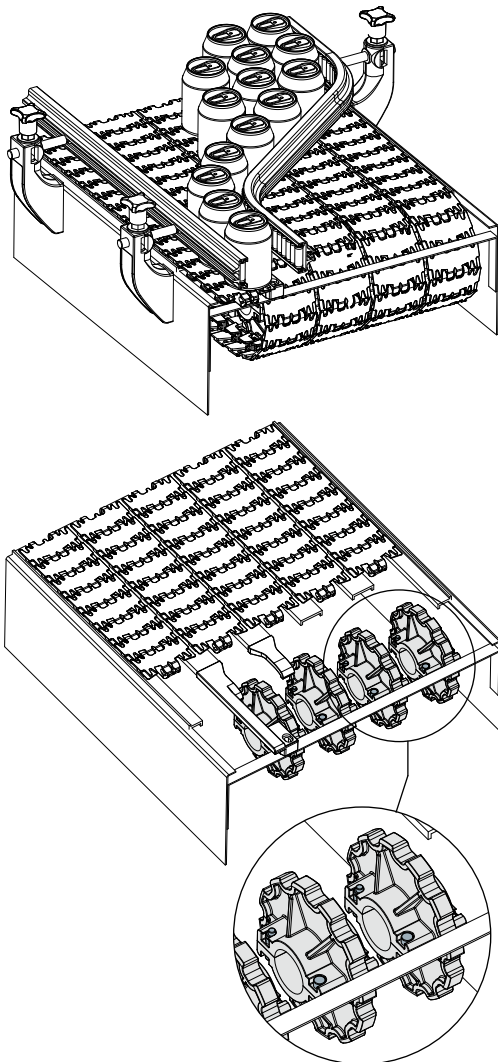
- Wheels: In other materials.
- Box quantity: According to your request.

Example of application



Idler wheels

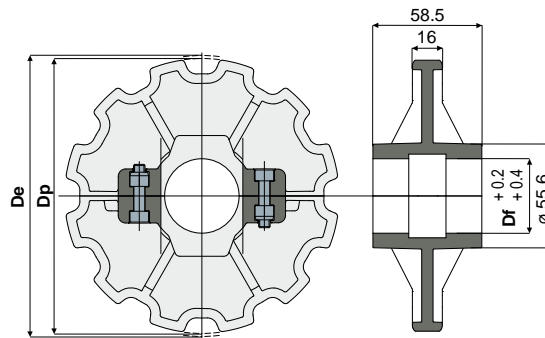
Example of application



Split idler wheel 12 teeth

(for chains series 879, 879 TAB, 880, 880 TAB)

Part. **457**



Df (mm)	Dp (mm)	De (mm)	Code
25	147,2	147,4	457 / 85428
30	147,2	147,4	457 / 85429
35	147,2	147,4	457 / 85430
40	147,2	147,4	457 / 85431

MATERIALS: Wheel made of polyamide black colour; screws made of stainless steel AISI 304, nuts in nickel plated brass.

FEATURES: To be used with chains Part.710, 711, 713.

BOX QUANTITY: 8 pieces.

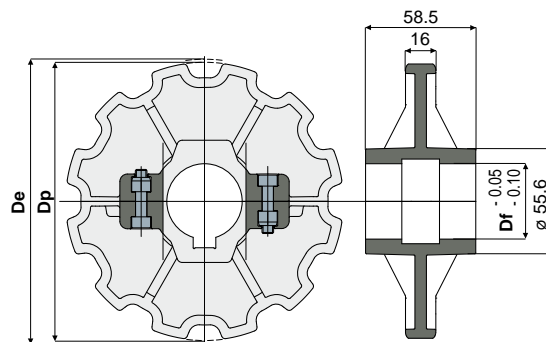
ON REQUEST:

- Wheels: In other materials.
- Box quantity: According to your request.

Split sprocket 12 teeth

(for chains series 879, 879 TAB, 880, 880 TAB)

Part. **456**



Df (mm)	Dp (mm)	De (mm)	Code
25	147,2	147,4	456 / 85424
30	147,2	147,4	456 / 85425
35	147,2	147,4	456 / 85426
40	147,2	147,4	456 / 85427

MATERIALS: Wheel made of reinforced polyamide black colour; screws made of stainless steel AISI 304, nuts in nickel plated brass.

FEATURES: Dimensions of the keyway UNI 6604-69 - DIN 6885/1.

To be used with chains Part.710, 711, 713.

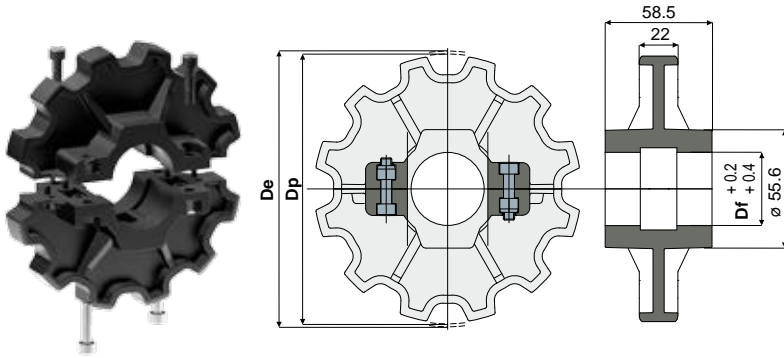
BOX QUANTITY: 8 pieces.

ON REQUEST:

- Wheels: In other materials.
- Box quantity: According to your request.

Idler wheels

Part. 472 Split idler wheel 12 teeth (for chains series 882, 882 TAB)



Df (mm)	Dp (mm)	De (mm)	Code
25	147,2	149	472 / 85969
30	147,2	149	472 / 85970
35	147,2	149	472 / 85971
40	147,2	149	472 / 85972

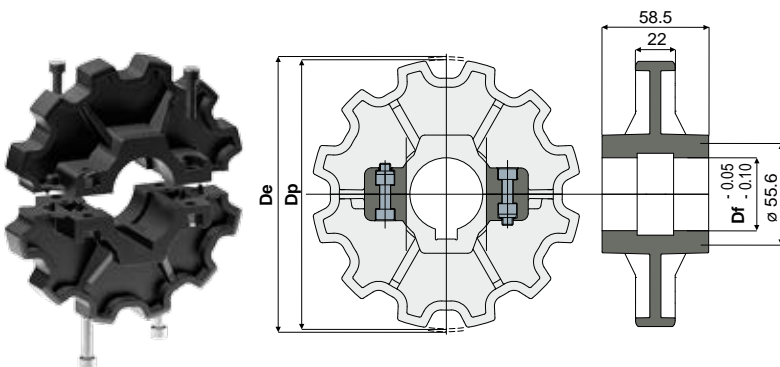
MATERIALS: Wheel made of polyamide black colour; screws made of stainless steel AISI 304, nuts in nickel plated brass.

BOX QUANTITY: 8 pieces.

ON REQUEST:

- Wheels: In other materials.
- Box quantity: According to your request.

Part. 473 Split sprocket 12 teeth (for chains series 882, 882 TAB)



Df (mm)	Dp (mm)	De (mm)	Code
25	147,2	149	473 / 85973
30	147,2	149	473 / 85974
35	147,2	149	473 / 85975
40	147,2	149	473 / 85976

MATERIALS: Wheel made of reinforced polyamide black colour; screws made of stainless steel AISI 304, nuts in nickel plated brass.

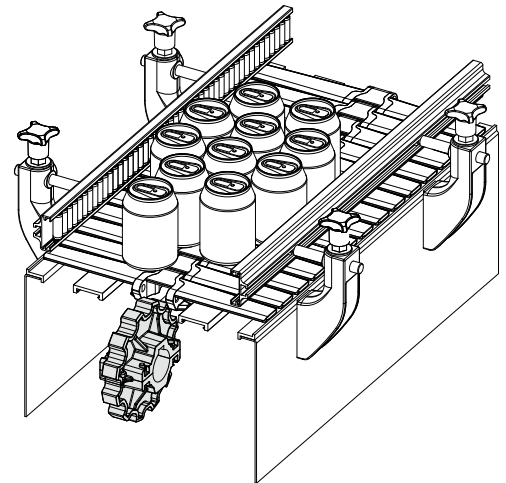
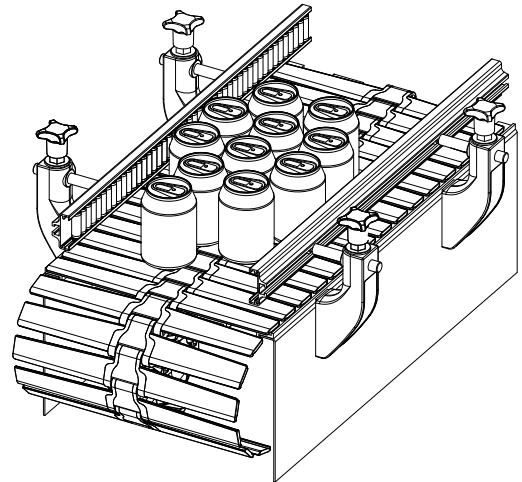
FEATURES: Dimensions of the keyway UNI 6604-69 - DIN 6885/1.

BOX QUANTITY: 8 pieces.

ON REQUEST:

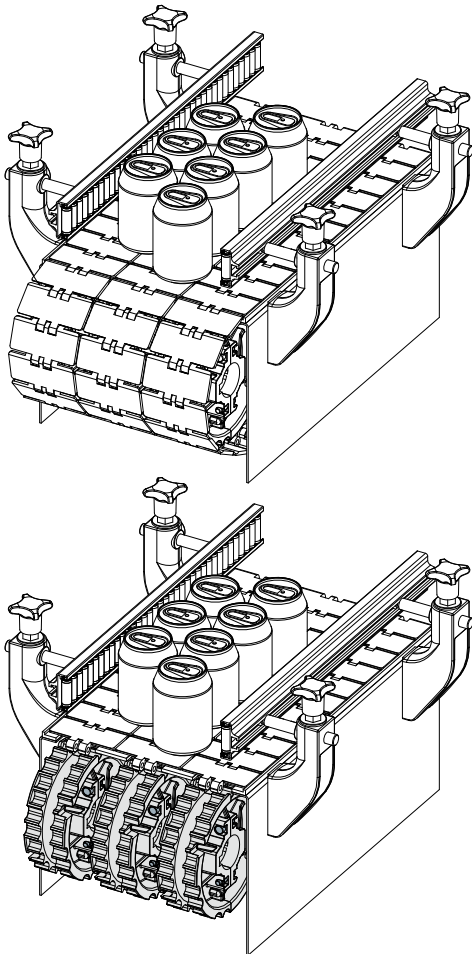
- Wheels: In other materials.
- Box quantity: According to your request.

Example of application



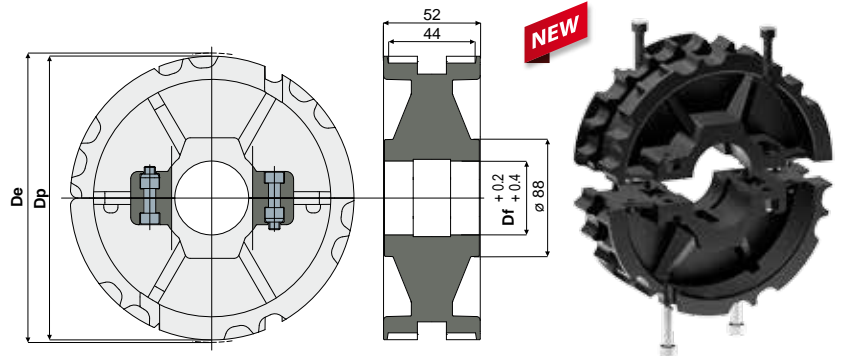
Idler wheels

Example of application



Split idler wheel 25 teeth (for chains series 815, 820, 831)

Part. **535**



Df (mm)	Dp (mm)	De (mm)	Code
25	153,2	153	535 / 88680
30	153,2	153	535 / 88681
35	153,2	153	535 / 88682
40	153,2	153	535 / 88683

MATERIALS: Wheel made of polyamide black colour; screws made of stainless steel AISI 304, nuts in nickel plated brass.

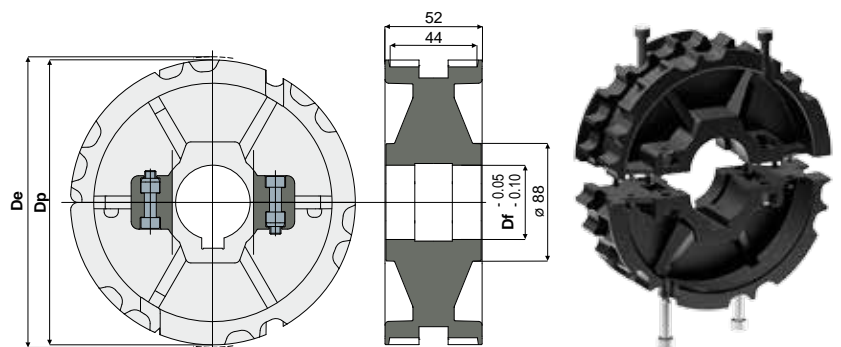
BOX QUANTITY: 8 pieces.

ON REQUEST:

- Wheels: In other materials.
- Box quantity: According to your request.

Split sprocket 25 teeth (for chains series 815, 820, 831)

Part. **523**



Df (mm)	Dp (mm)	De (mm)	Code
25	153,2	153	523 / 87357
30	153,2	153	523 / 87358
35	153,2	153	523 / 87359
40	153,2	153	523 / 87360

MATERIALS: Wheel made of reinforced polyamide black colour; screws made of stainless steel AISI 304, nuts in nickel plated brass.

FEATURES: Dimensions of the keyway UNI 6604-69 - DIN 6885/1.

BOX QUANTITY: 8 pieces.

ON REQUEST:

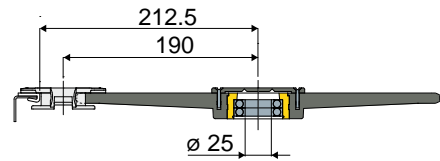
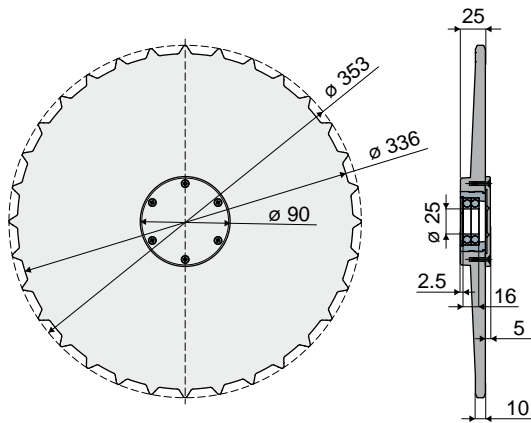
- Wheels: In other materials.
- Box quantity: According to your request.

Idler wheels

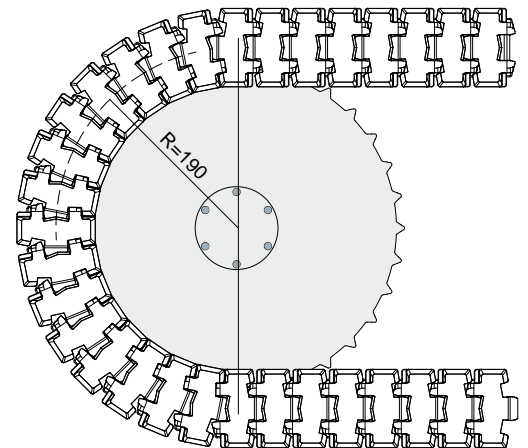
Part. **458**

Corner disc 32 teeth

(for chains series 879 BO, 879 TAB BO, 880 BO, 880 TAB BO)



Example of application



Code

458 / 85435

MATERIALS: Wheel and external cap made of reinforced polyamide black colour; bushing in brass; stop ring and self-threading screws in stainless steel AISI 304; bearing type 16005 25x47x8 in chrome steel.

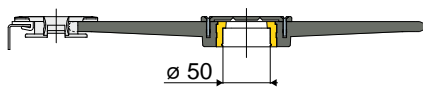
FEATURES: To be used with chains Part.710, 711, 713.

BOX QUANTITY: 2 pieces.

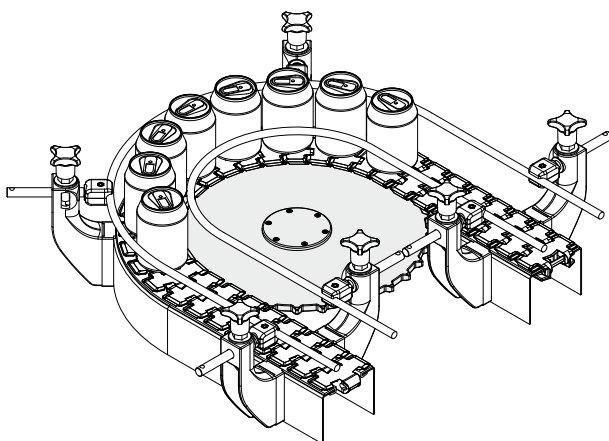
ON REQUEST:

- **Wheels:** In other materials.
- **Box quantity:** According to your request.

Idler wheels



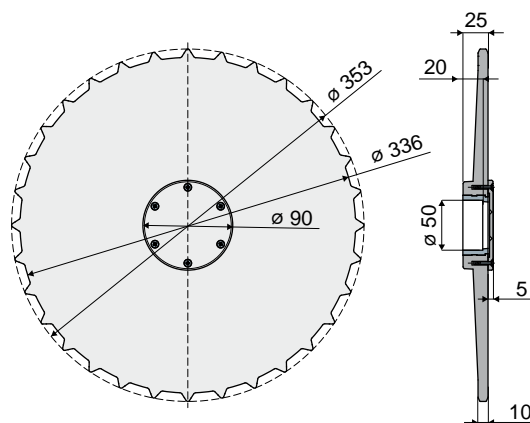
Example of application



Corner disc 32 teeth

(for chains series 879 BO, 879 TAB BO, 880 BO, 880 TAB BO)

Part. **459**



Code

459 / 85436

MATERIALS: Wheel and external cap made of reinforced polyamide black colour; bushing in brass; self-threading screws in stainless steel AISI 304.

FEATURES: To be used with chains Part.710, 711, 713.

BOX QUANTITY: 2 pieces.

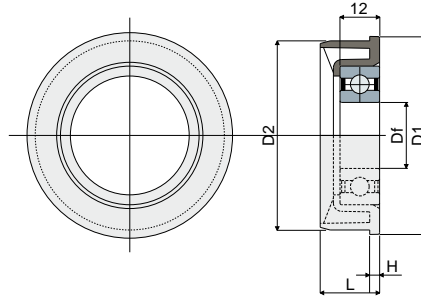
ON REQUEST:

- Wheels: In other materials.
- Box quantity: According to your request.

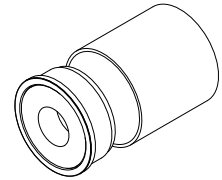
Bearing supports

Part. 300

Bearing-holder flange



Example of assembly



Tube dimensions			Bore for pin					Code	Bearing type
Outside \varnothing (mm)	thickness (mm)	Inside \varnothing (mm)	D1 (mm)	D2 (mm)	H (mm)	L (mm)	Df (mm)		
60	1,5	57,3	60	57,3	3	18	20	300 / 84814	6004/2RS
60	1,5	57,3	60	57,3	3	18	20	300 / 82682	Supplied without bearings
50	1,5	47	50	47,3	3	18	20	300 / 86727	6004/2RS
50	1,5	47	50	47,3	3	18	20	300 / 86728	Supplied without bearings

MATERIALS: Flange is made of polyamide black colour.

FEATURES: To be inserted in the tube sides $D=60,3$ thickness 1,5 mm to build a roller conveyor or rollers for chain return.

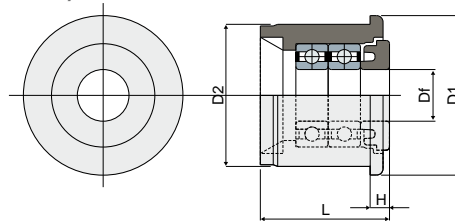
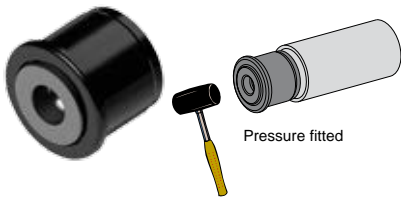
BOX QUANTITY: 24 pieces.

ON REQUEST:

- Flanges: Supplied assembled with bearings.
- Box quantity: According to your request.

Part. 317

Bearing support for conveyor rollers (with protective shield)



Tube dimensions			Bore for pin					Code	Bearing type
Outside \varnothing (mm)	thickness (mm)	Inside \varnothing (mm)	D1 (mm)	D2 (mm)	H (mm)	L (mm)	Df (mm)		
25	1,5	22	25	22	3	20	8	317 / 82911	688/8-2RS
25	1,5	22	25	22	3	20	8	317 / 82912	Supplied without bearings

MATERIALS: Bearing support with internal part and external bushing made of polyamide black colour; bearing made of chrome steel.

FEATURES: To be inserted in the tube sides to build a roller conveyor.

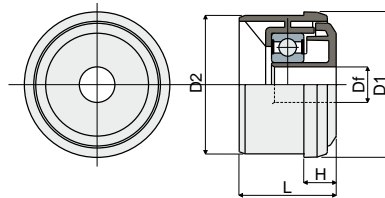
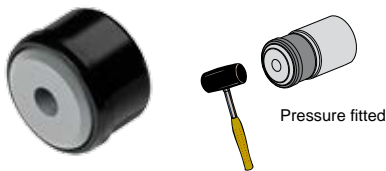
BOX QUANTITY: 24 pieces.

ON REQUEST:

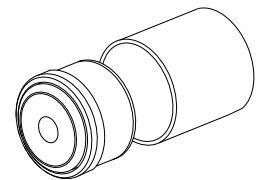
- Bearing supports: Other colours.
- Box quantity: According to your request.

Part. 263

Bearing support for conveyor rollers (for idler roller)



Example of assembly



Tube dimensions			Bore for pin					Code	Bearing type
Outside \varnothing (mm)	thickness (mm)	Inside \varnothing (mm)	D1 (mm)	D2 (mm)	H (mm)	L (mm)	Df (mm)		
50	1,5	47	50	47	11	30	12	263 / 82032	6202-2RS
50	1,5	47	50	47	11	30	14	263 / 82256	6202-2RS
60	1,5	57	60	57	15	53	12	263 / 85071	6202-2RS
60	1,5	57	60	57	15	53	14	263 / 85068	6202-2RS
60	2	56	60	56	15	53	12	263 / 85072	6202-2RS
60	2	56	60	56	15	53	14	263 / 85069	6202-2RS
60	2,75	54,5	60	54,5	15	53	12	263 / 85073	6202-2RS
60	2,75	54,5	60	54,5	15	53	14	263 / 85070	6202-2RS

MATERIALS: Bearing support with protective shield made of polyamide grey colour; external bushing made of polyamide black colour; bearing made of chrome steel.

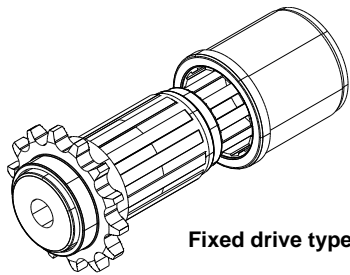
FEATURES: To be inserted in the tube sides to build a roller conveyor.

BOX QUANTITY: 24 pieces.

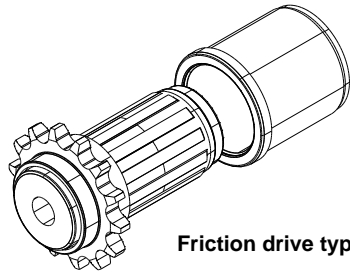
ON REQUEST:

- Bearing supports: Other colours, bores with different sizes.
- Box quantity: According to your request.

Bearing supports

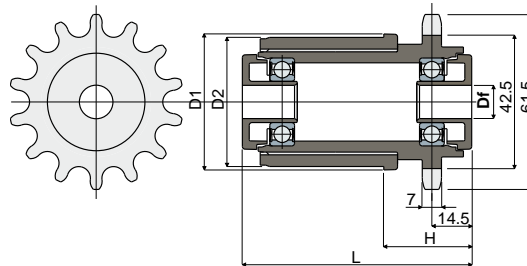


Fixed drive type



Friction drive type

14 teeth bearing support for conveyor rollers (for drive roller) Part. 264



Pressure fitted

Tube dimensions				Bore for pin		Fixed drive type	Friction drive type	Bearing type		
Outside \varnothing (mm)	Thickness (mm)	Inside \varnothing (mm)	D1 (mm)	D2 (mm)	H (mm)	L (mm)	Df (mm)		Code	Code
50	1,5	47	50	47	32	83	12	264 / 82033	264 / 82217	6002-2RS
50	1,5	47	50	47	32	83	14	264 / 82215	264 / 82218	6002-2RS
60	1,5	57	60	57	39	83	12	264 / 85074	264 / 84244	6002-2RS
60	1,5	57	60	57	39	83	14	264 / 85075	264 / 84245	6002-2RS
60	2	56	60	56	39	83	12	264 / 85076	264 / 84246	6002-2RS
60	2	56	60	56	39	83	14	264 / 85077	264 / 84247	6002-2RS
60	2,75	54,5	60	54,5	39	83	12	264 / 85078	264 / 84251	6002-2RS
60	2,75	54,5	60	54,5	39	83	14	264 / 85079	264 / 84253	6002-2RS

MATERIALS: Bearing support with protective shield made of polyamide grey colour; external bushing made of polyamide black colour; bearing made of chrome steel.

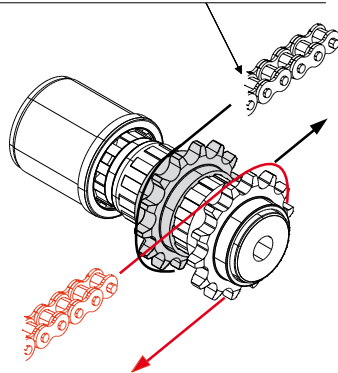
FEATURES: To be inserted in the tube sides to build a roller conveyor. Drive sprocket with 14 teeth for roller chain type DIN 8187-08-b1.

BOX QUANTITY: 24 pieces.

ON REQUEST:

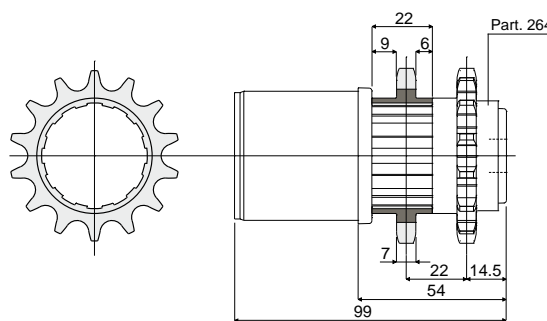
- Bearing supports: other colours, bores with different sizes.
- Box quantity: According to your request.

Roller chain type DIN 8187 tipo 08-B1



Example of assembly

14 teeth sprocket Part. 265 (for bearing support Part. 264)



Code
265 / 82034

MATERIALS: Drive sprocket is made of polyamide black colour.

FEATURES: Accessory to be used with bearing support Part.264 to make the drive roller to roller. This drive type allows a greater torque.

BOX QUANTITY: 24 pieces.

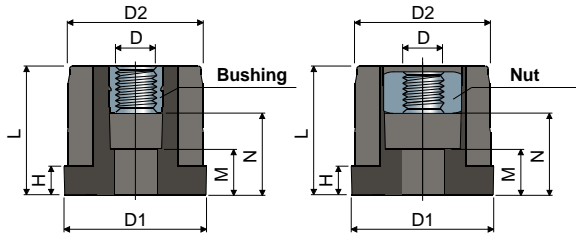
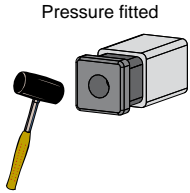
ON REQUEST:

- Sprockets: other colours.
- Box quantity: According to your request.

Bushings

Part. 336

(for conveyor flanks)



Tube dimensions										With bushing
Outside (mm)	Thickness (mm)	Inside (mm)	Thread D	D1 (mm)	D2 (mm)	H (mm)	L (mm)	M (mm)	N (mm)	Code
20x20	1,5	17x17	M8	20x20	17x17	5	28	13	18	336 / 83138

Tube dimensions										With nut
Outside (mm)	Thickness (mm)	Inside (mm)	Thread D	D1 (mm)	D2 (mm)	H (mm)	L (mm)	M (mm)	N (mm)	Code
20x20	1,5	17x17	M8	20x20	17x17	5	28	13	18	336 / 84563

MATERIALS: Bushing in reinforced polyamide black colour; threaded insert or nut in nickel plated brass.

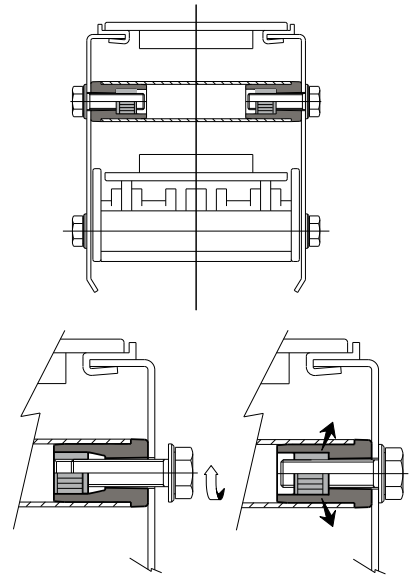
FEATURES: Supplied assembled. To be assembled in the conveyor flanks.

BOX QUANTITY: 48 pieces.

ON REQUEST:

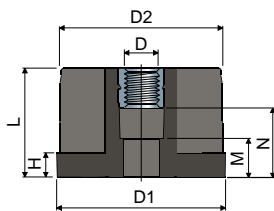
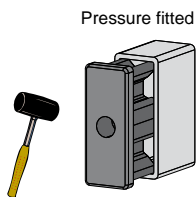
- Bushes: Special thickness tube.
- Box quantity: According to your request.

Example of application



Part. 335

Threaded bushings
(for conveyor flanks)



Tube dimensions										Code
Outside (mm)	Thickness (mm)	Inside (mm)	Thread D	D1 (mm)	D2 (mm)	H (mm)	L (mm)	M (mm)	N (mm)	Code
20x50	2	16x46	M8	20x50	16x46	5	28	13	18	335 / 83128

MATERIALS: Bush in reinforced polyamide black colour; threaded insert in nickel plated brass.

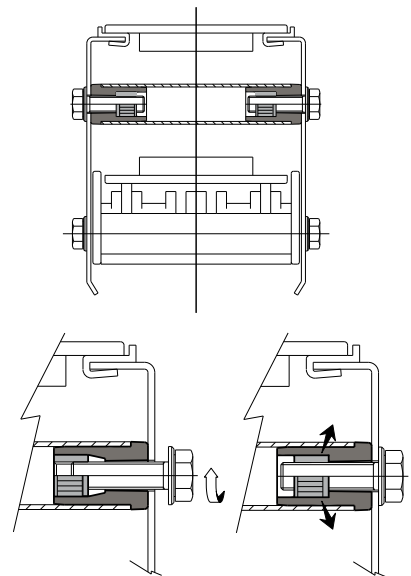
FEATURES: Supplied assembled. To be assembled in the conveyor flanks.

BOX QUANTITY: 48 pieces.

ON REQUEST:

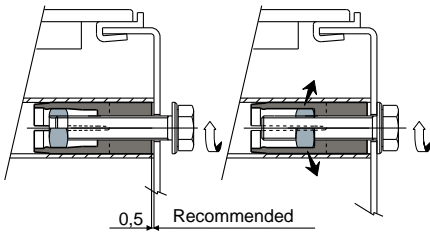
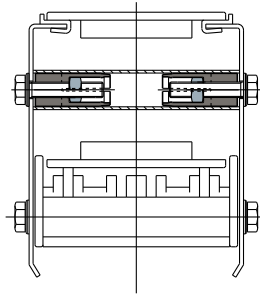
- Bushes: Special thickness tube.
- Box quantity: According to your request.

Example of application



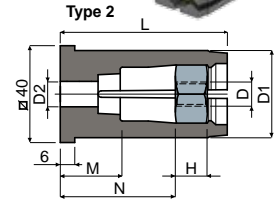
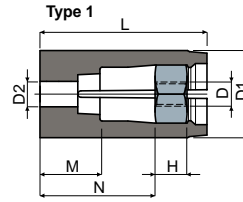
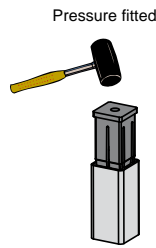
Bushings

Example of application



Expansion plugs (for square tubes)

Part. **414**



Tube dimensions										Type 1
Outside (mm)	Thickness (mm)	Inside (mm)	D (mm)	D1 (mm)	D2 (mm)	H (mm)	L (mm)	M (mm)	N (mm)	Code
40x40	2	36x36	M8	36	10,5	13	69	24,8	47,5	414 / 84868
40x40	2	36x36	M10	36	10,5	13	69	24,8	47,5	414 / 85096

Tube dimensions										Type 2
Outside (mm)	Thickness (mm)	Inside (mm)	D (mm)	D1 (mm)	D2 (mm)	H (mm)	L (mm)	M (mm)	N (mm)	Code
40x40	2	36x36	M8	36	10,5	13	69	24,8	47,5	414 / 84545
40x40	2	36x36	M10	36	10,5	13	69	24,8	47,5	414 / 84546

MATERIALS: Plug made of reinforced polyamide black colour; nut made of brass.

FEATURES: Supplied assembled. To be assembled in the conveyor flanks.

BOX QUANTITY: 48 pieces.

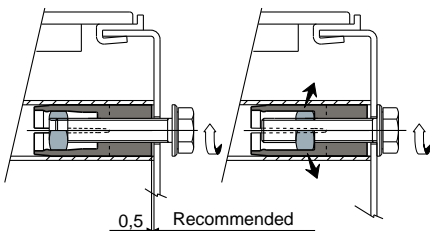
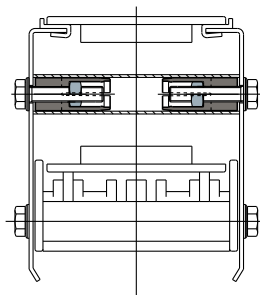
ON REQUEST:

- Plugs: Special thickness tube.
- Box quantity: According to your request.

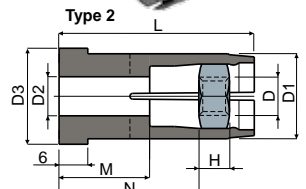
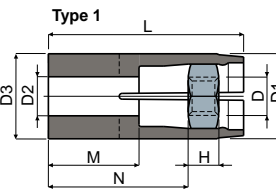
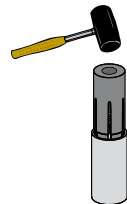
Expansion plugs (for round tubes)

Part. **283**

Example of application



Pressure fitted



Tube dimensions											Type 1
Outside (mm)	Thickness (mm)	Inside (mm)	D (mm)	D1 (mm)	D2 (mm)	D3 (mm)	H (mm)	L (mm)	M (mm)	N (mm)	Code
20	1,5	17	M8	17	8,5	17	6,5	40,5	19	29	283 / 82579
33,7	1,5	30,7	M8	30,7	8,5	30,7	8	40,5	13	26	283 / 87815
38	1,5	35	M8	35	10,5	35	13	69	24,8	47,5	283 / 87816
42,4	1,5	39,4	M8	39,4	10,5	39,4	13	69	24,8	47,5	283 / 87364
48,3	1,5	45,3	M8	45,3	10,5	45,3	13	69	24,8	47,5	283 / 87817
25	1,5	22	M10	22	10,5	22	8	40,5	13	26	283 / 82505
33,7	1,5	30,7	M10	30,7	10,5	30,7	8	40,5	13	26	283 / 87818
38	1,5	35	M10	35	10,5	35	13	69	24,8	47,5	283 / 87819
42,4	1,5	39,4	M10	39,4	10,5	39,4	13	69	24,8	47,5	283 / 87365
48,3	1,5	45,3	M10	45,3	10,5	45,3	13	69	24,8	47,5	283 / 87820

Tube dimensions											Type 2
Outside (mm)	Thickness (mm)	Inside (mm)	D (mm)	D1 (mm)	D2 (mm)	D3 (mm)	H (mm)	L (mm)	M (mm)	N (mm)	Code
20	1,5	17	M8	17	8,5	20	6,5	40,5	19	29	283 / 82664
33,7	1,5	30,7	M8	30,7	8,5	33,7	8	40,5	13	26	283 / 87821
38	1,5	35	M8	35	10,5	38	13	69	24,8	47,5	283 / 87822
42,4	1,5	39,4	M8	39,4	10,5	42,4	13	69	24,8	47,5	283 / 87366
48,3	1,5	45,3	M8	45,3	10,5	48,3	13	69	24,8	47,5	283 / 87823
25	1,5	22	M10	22	10,5	25	8	40,5	13	26	283 / 84865
33,7	1,5	30,7	M10	30,7	10,5	33,7	8	40,5	13	26	283 / 87824
38	1,5	35	M10	35	10,5	38	13	69	24,8	47,5	283 / 87825
42,4	1,5	39,4	M10	39,4	10,5	42,4	13	69	24,8	47,5	283 / 87367
48,3	1,5	45,3	M10	45,3	10,5	48,3	13	69	24,8	47,5	283 / 87826

MATERIALS: Plug made of reinforced polyamide black colour; nut made of stainless steel AISI 304 (codes with outside tube dimension of 20 and 25 mm.) or made of brass (codes with outside tube dimension of 33,7 - 38 - 42,4 - 48,3 mm.).

FEATURES: Supplied assembled. To be assembled in the conveyor flanks.

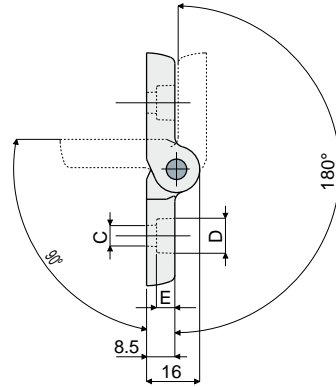
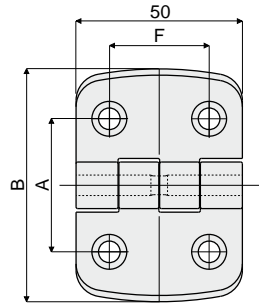
BOX QUANTITY: 48 pieces.

ON REQUEST:

- Plugs: Special thickness tube.
- Box quantity: According to your request.

Hinges

Part. 233 Hinge



A (mm)	B (mm)	C (mm)	D (mm)	E (mm)	F (mm)	Code
34	50	5,5	10,5	3,5	34	233 / 80970
31	50	5,5	9	5	30	233 / 80772
40	70	6,5	10,5	6	30	233 / 80773
46	70	6,5	10,5	6	30	233 / 80774
46	70	8,5	13,5	5	30	233 / 80775

MATERIALS: Hinge made of reinforced polyamide black colour; pin made of stainless steel AISI 304.

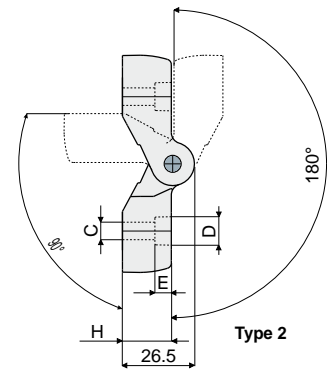
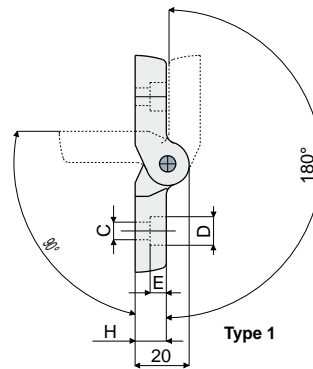
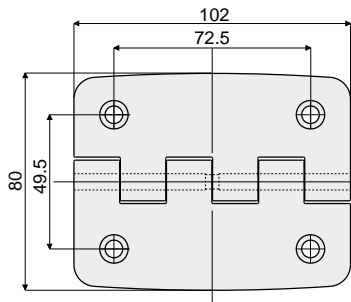
FEATURES: Maximum rotation 270°

BOX QUANTITY: 24 pieces.

ON REQUEST:

- Hinges: In reinforced polypropylene, other colours.
- Box quantity: According to your request.

Part. 234 Hinge



C (mm)	D (mm)	E (mm)	H (mm)	Type 1 Code
6,5	10,5	6	11,5	234 / 80776
8,5	13,5	8	11,5	234 / 80777

C (mm)	D (mm)	E (mm)	H (mm)	Type 2 Code
6,5	10,5	6	18	234 / 87520
8,5	13,5	8	18	234 / 87521

MATERIALS: Hinge made of reinforced polyamide black colour; pin made of stainless steel AISI 304.

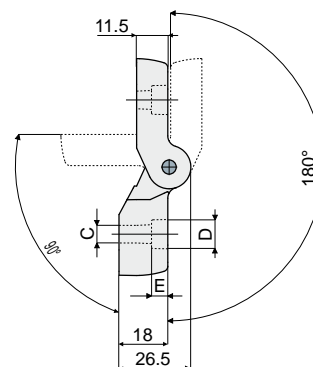
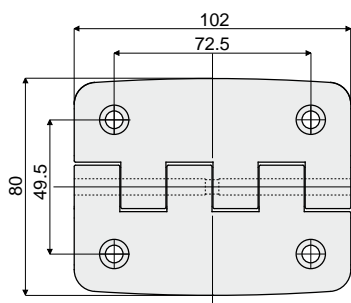
FEATURES: Maximum rotation 270°.

BOX QUANTITY: 24 pieces.

ON REQUEST:

- Hinges: In reinforced polypropylene, other colours.
- Box quantity: According to your request.

Part. 527 Hinge



C (mm)	D (mm)	E (mm)	Code
6,5	10,5	6	527 / 87522
8,5	13,5	8	527 / 87523

MATERIALS: Hinge made of reinforced polyamide black colour; pin made of stainless steel AISI 304.

FEATURES: Maximum rotation 270°.

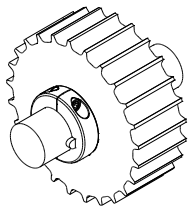
BOX QUANTITY: 24 pieces.

ON REQUEST:

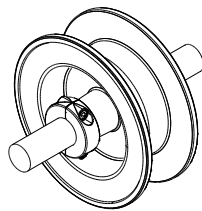
- Hinges: In reinforced polypropylene, other colours.
- Box quantity: According to your request.

Split shaft collars

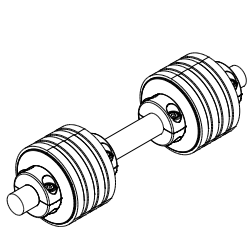
Example of applications



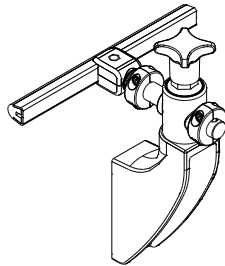
Sprockets



Idler wheels



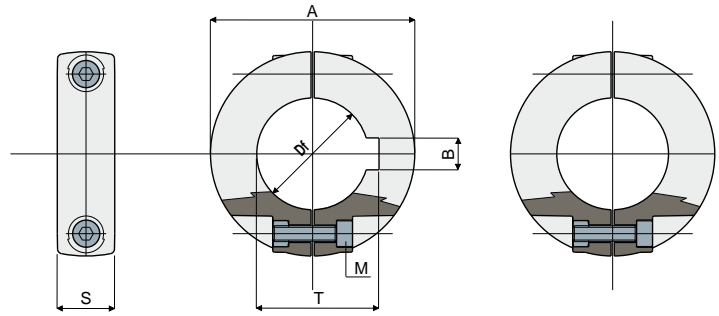
Rollers for chain return



Guide rail bracket

Split shaft collars

Part. 288



With Keyway

Without Keyway

With keyway						
Df (mm)	A (mm)	S (mm)	M (mm)	B (mm)	T (mm)	Code
20	40	14	M4	6	22,8	288 / 82555
25	50	14	M5	8	28,3	288 / 82556
30	50	14	M5	8	33,3	288 / 82557
35	65	14	M5	10	38,3	288 / 82558
40	65	14	M5	12	43,3	288 / 82559

Without keyway				
Df (mm)	A (mm)	S (mm)	M (mm)	Code
12	35	13	M4	288 / 82560
14	35	13	M4	288 / 82561
15	35	13	M4	288 / 83649
16	35	13	M4	288 / 82562
18	40	14	M4	288 / 82563
20	40	14	M4	288 / 82564
25	50	14	M5	288 / 82565
30	50	14	M5	288 / 82566
35	65	14	M5	288 / 82567
40	65	14	M5	288 / 82568

MATERIALS: Collars made out of reinforced polyamide black colour; bolt and nuts made out of stainless steel AISI 304.

FEATURES: Supplied assembled. To be assembled on the shaft to obtain wheels axial blocking; to be assembled on pins for guides supporting to adjust the position of guides according to the bottle size. Dimensions of the keyway UNI 6604-69 - DIN 6885/1

BOX QUANTITY: 96 pieces.

ON REQUEST:

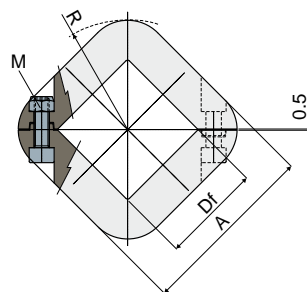
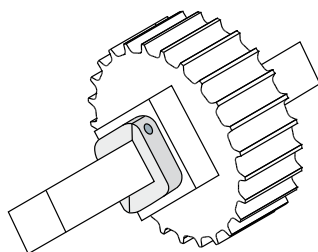
- Collars: With special bores, other colours.
- Box quantity: According to your request.

Split shaft collar

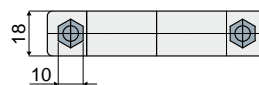
Part. 376

(with square bore 40x40 mm - 60x60 mm)

Example of application



M (mm)	Df (mm)	A (mm)	R (mm)	Code
M6	40	72	44	376 / 83895
M6	60	92	58	376 / 85067



MATERIALS: Collars made out of reinforced polyamide black colour; self-locking nuts and screws made of stainless steel AISI 304.

FEATURES: To be assembled on the shaft to obtain wheels axial blocking.

BOX QUANTITY: 96 pieces.

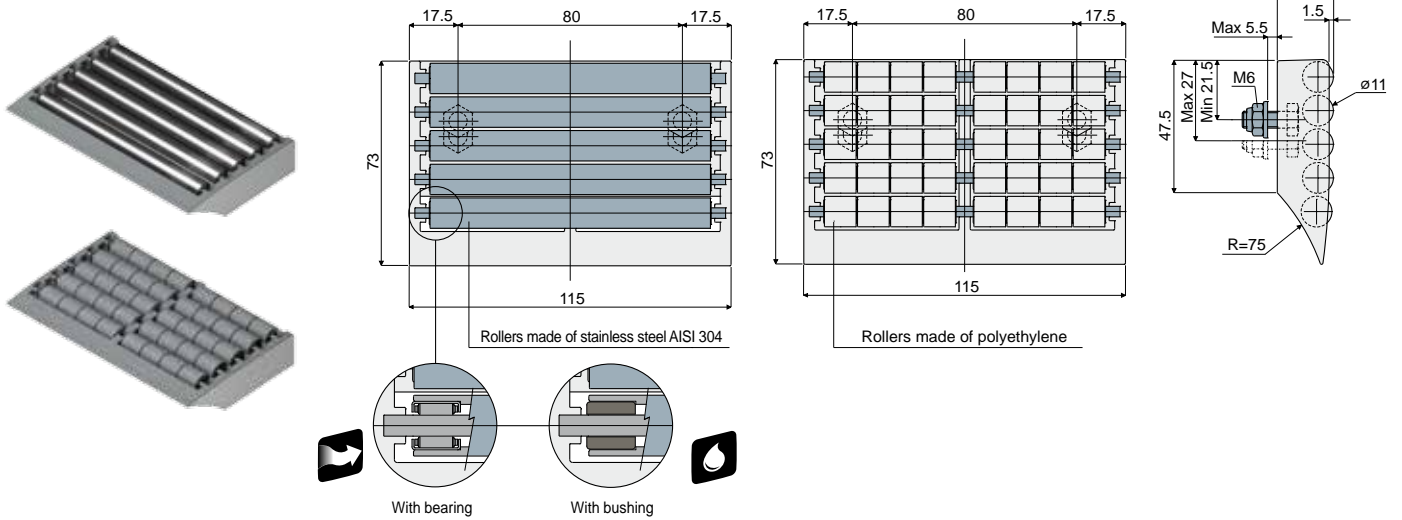
ON REQUEST:

- Box quantity: According to your request.

Modular transfer plates

Part. 257

Modular transfer plates with lip (width 115 mm 5 rows of rollers)



Rollers made of stainless steel AISI 304		Rollers made of polyethylene
With bearings	With bushings	
Code	Code	Code
257 / 85004	257 / 85802	257 / 82005

MATERIALS: Modular transfer plate with external module made of grey colour acetal; rollers made of grey colour polyethylene or stainless steel AISI 304; bearings made of chrome steel; bushings made of auto-lubricating polyamide; pins and fixing nuts made of stainless steel AISI 304.

FEATURES: To be assembled at the end of your conveyor to help the products transfer. Low friction coefficient, minimum noise level, extremely cleanable. The versions with rollers made in stainless steel, are available both with bearings made of chrome steel or with bushings made of auto-lubricating polyamide which are suitable for applications in contact with water.

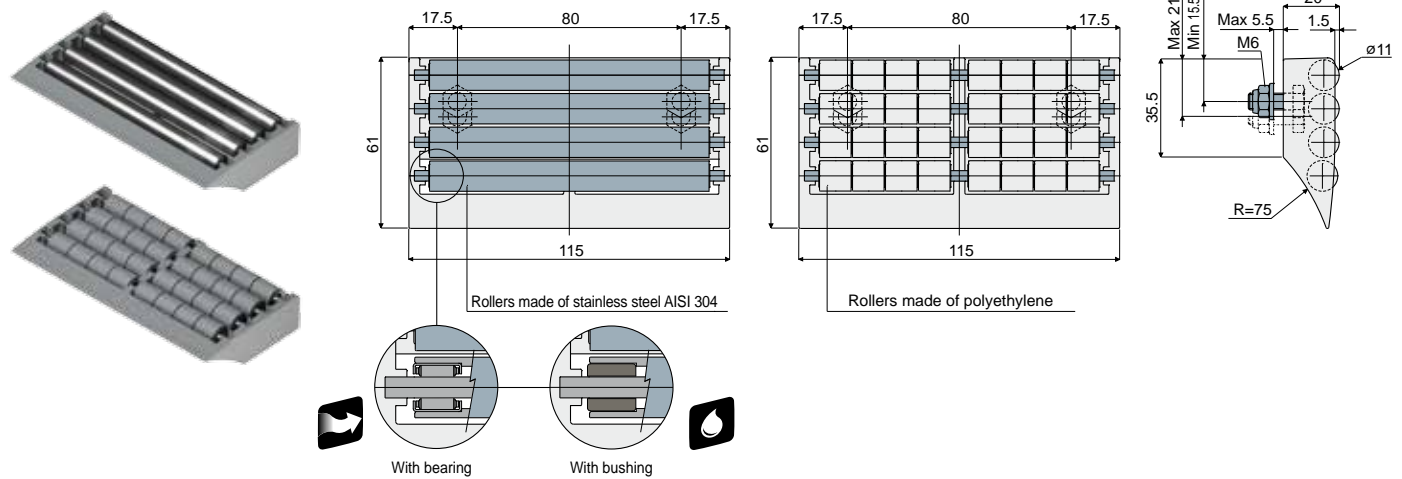
BOX QUANTITY: 8 pieces.

ON REQUEST:

- External module and rollers: Can be produced in other colours.
- Box quantity: According to your request.

Part. 417

Modular transfer plates with lip (width 115 mm 4 rows of rollers)



Rollers made of stainless steel AISI 304		Rollers made of polyethylene
With bearings	With bushings	
Code	Code	Code
417 / 85031	417 / 85803	417 / 84576

MATERIALS: Modular transfer plate with external module made of grey colour acetal; rollers made of grey colour polyethylene or stainless steel AISI 304; bearings made of chrome steel; bushings made of auto-lubricating polyamide; pins and fixing nuts made of stainless steel AISI 304.

FEATURES: To be assembled at the end of your conveyor to help the products transfer. Low friction coefficient, minimum noise level, extremely cleanable. The versions with rollers made in stainless steel, are available both with bearings made of chrome steel or with bushings made of auto-lubricating polyamide which are suitable for applications in contact with water.

BOX QUANTITY: 8 pieces.

ON REQUEST:

- External module and rollers: Can be produced in other colours.
- Box quantity: According to your request.



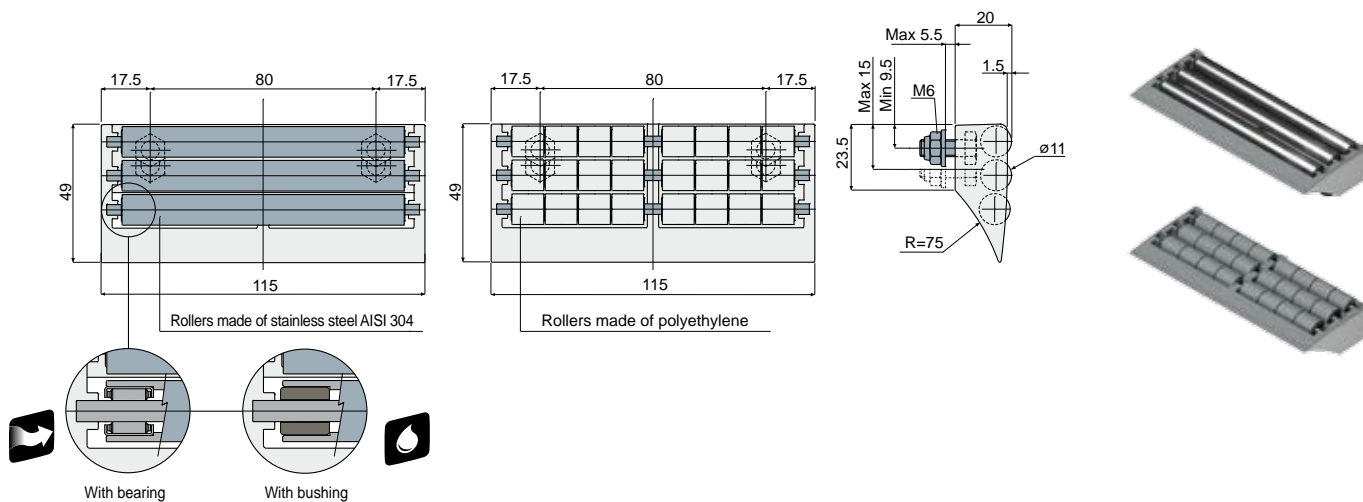
Suitable for applications which require maximum smoothness.

Suitable for applications in contact with water.

Modular transfer plates

Modular transfer plates with lip (width 115 mm 3 rows of rollers)

Part. **258**



Rollers made of stainless steel AISI 304	Rollers made of polyethylene	
With bearings	With bushings	
Code	Code	Code
258 / 85003	258 / 85804	258 / 82004

MATERIALS: Modular transfer plate with external module made of grey colour acetal; rollers made of grey colour polyethylene or stainless steel AISI 304; bearings made of chrome steel; bushings made of auto-lubricating polyamide; pins and fixing nuts made of stainless steel AISI 304.

FEATURES: To be assembled at the end of your conveyor to help the products transfer. Low friction coefficient, minimum noise level, extremely cleanable. The versions with rollers made in stainless steel, are available both with bearings made of chrome steel or with bushings made of auto-lubricating polyamide which are suitable for applications in contact with water.

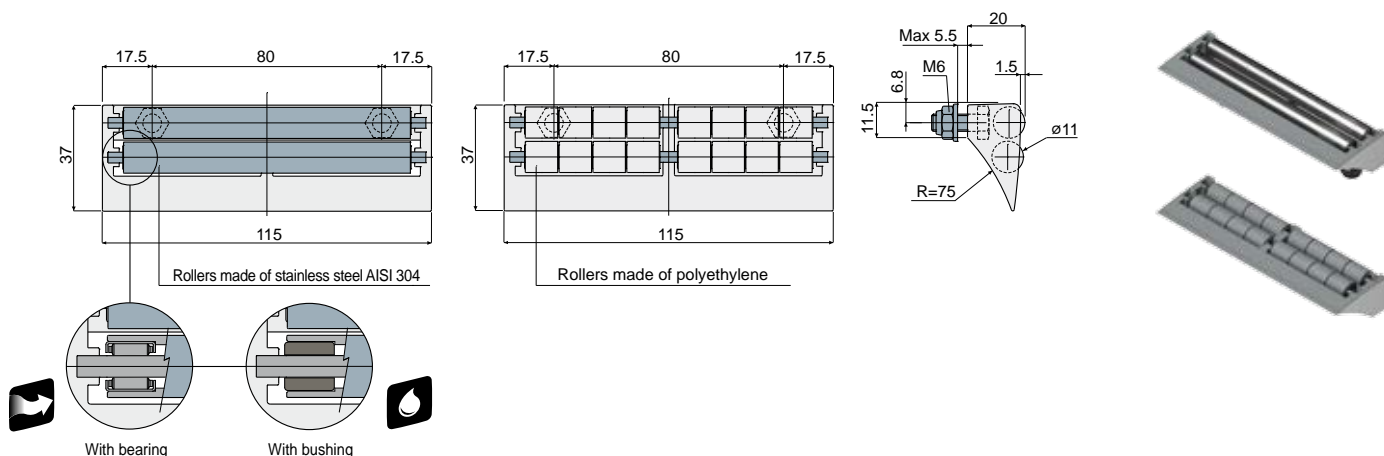
BOX QUANTITY: 8 pieces.

ON REQUEST:

- External module and rollers: Can be produced in other colours.
- Box quantity: According to your request.

Modular transfer plates with lip (width 115 mm 2 rows of rollers)

Part. **259**



Rollers made of stainless steel AISI 304	Rollers made of polyethylene	
With bearings	With bushings	
Code	Code	Code
259 / 85002	259 / 85805	259 / 82003

MATERIALS: Modular transfer plate with external module made of grey colour acetal; rollers made of grey colour polyethylene or stainless steel AISI 304; bearings made of chrome steel; bushings made of auto-lubricating polyamide; pins and fixing nuts made of stainless steel AISI 304.

FEATURES: To be assembled at the end of your conveyor to help the products transfer. Low friction coefficient, minimum noise level, extremely cleanable. The versions with rollers made in stainless steel, are available both with bearings made of chrome steel or with bushings made of auto-lubricating polyamide which are suitable for applications in contact with water.

BOX QUANTITY: 8 pieces.

ON REQUEST:

- External module and rollers: Can be produced in other colours.
- Box quantity: According to your request.



Suitable for applications which require maximum smoothness.

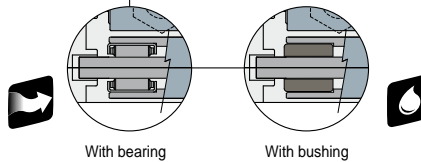
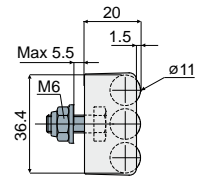
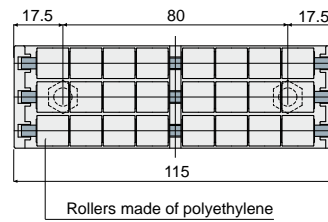
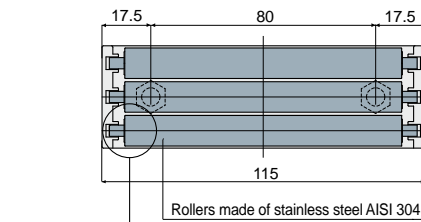


Suitable for applications in contact with water.

Modular transfer plates

Modular transfer plates without lip (width 115 mm 3 rows of rollers)

Part. 430



Rollers made of stainless steel AISI 304		Rollers made of polyethylene
With bearings	With bushings	
Code	Code	Code
430 / 85080	430 / 85806	430 / 85084

MATERIALS: Modular transfer plate with external module made of grey colour acetal; rollers made of grey colour polyethylene or stainless steel AISI 304; bearings made of chrome steel; bushings made of auto-lubricating polyamide; pins and fixing nuts made of stainless steel AISI 304.

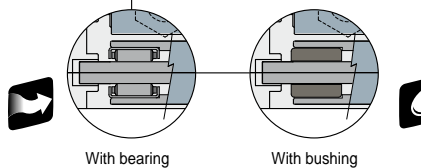
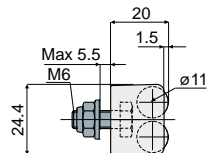
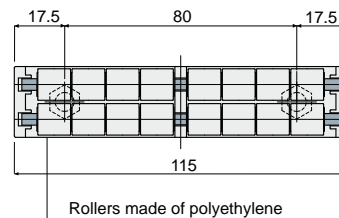
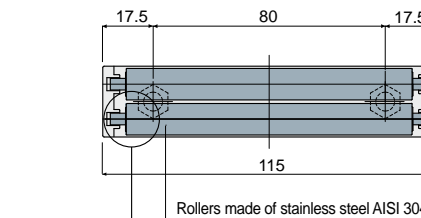
FEATURES: To be assembled at the end of your conveyor to help the products transfer. Low friction coefficient, minimum noise level, extremely cleanable. The versions with rollers made in stainless steel, are available both with bearings made of chrome steel or with bushings made of auto-lubricating polyamide which are suitable for applications in contact with water.

BOX QUANTITY: 8 pieces.

ON REQUEST:

- External module and rollers: Can be produced in other colours.
- Box quantity: According to your request.

Part. 431 Modular transfer plates without lip (width 115 mm 2 rows of rollers)



Rollers made of stainless steel AISI 304		Rollers made of polyethylene
With bearings	With bushings	
Code	Code	Code
431 / 85081	431 / 85807	431 / 85085

MATERIALS: Modular transfer plate with external module made of grey colour acetal; rollers made of grey colour polyethylene or stainless steel AISI 304; bearings made of chrome steel; bushings made of auto-lubricating polyamide; pins and fixing nuts made of stainless steel AISI 304.

FEATURES: To be assembled at the end of your conveyor to help the products transfer. Low friction coefficient, minimum noise level, extremely cleanable. The versions with rollers made in stainless steel, are available both with bearings made of chrome steel or with bushings made of auto-lubricating polyamide which are suitable for applications in contact with water.

BOX QUANTITY: 8 pieces.

ON REQUEST:

- External module and rollers: Can be produced in other colours.
- Box quantity: According to your request.



Suitable for applications which require maximum smoothness.

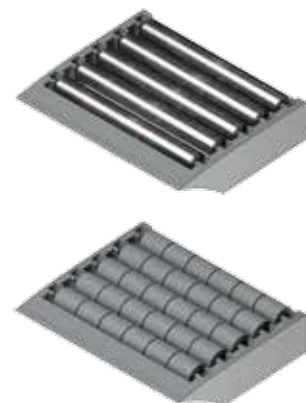
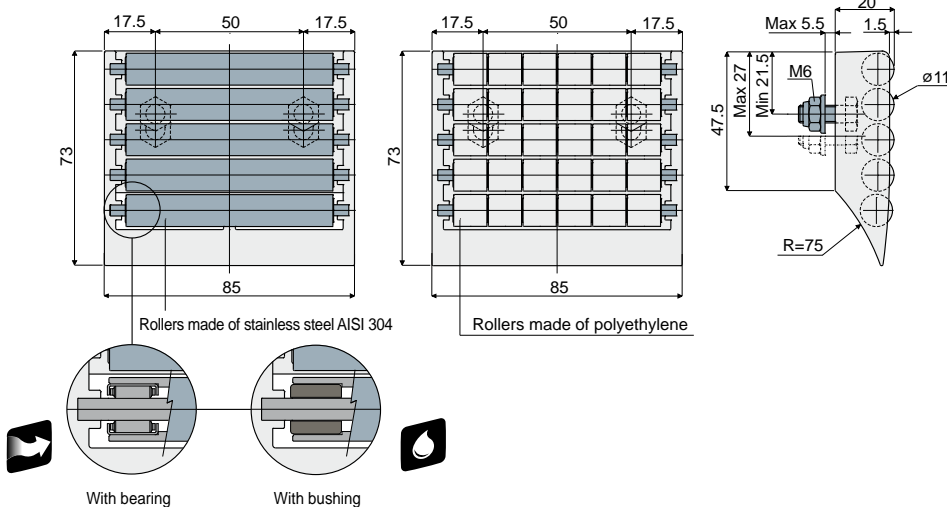


Suitable for applications in contact with water.

Modular transfer plates

Modular transfer plates with lip (width 85 mm 5 rows of rollers)

Part. **260**



Rollers made of stainless steel AISI 304		Rollers made of polyethylene
With bearings	With bushings	
Code	Code	Code
260 / 85007	260 / 85808	260 / 82002

MATERIALS: Modular transfer plate with external module made of grey colour acetal; rollers made of grey colour polyethylene or stainless steel AISI 304; bearings made of chrome steel; bushings made of auto-lubricating polyamide; pins and fixing nuts made of stainless steel AISI 304.

FEATURES: To be assembled at the end of your conveyor to help the products transfer. Low friction coefficient, minimum noise level, extremely cleanable. The versions with rollers made in stainless steel, are available both with bearings made of chrome steel or with bushings made of auto-lubricating polyamide which are suitable for applications in contact with water.

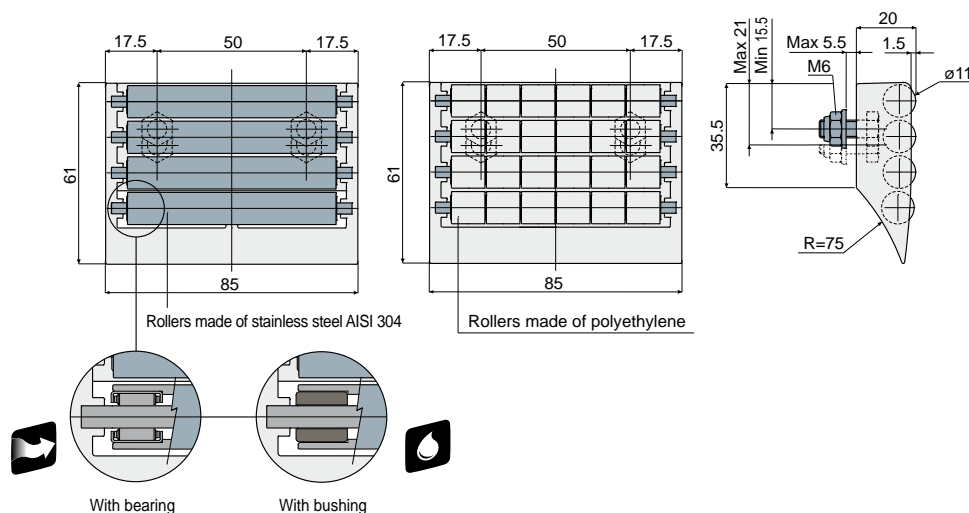
BOX QUANTITY: 8 pieces.

ON REQUEST:

- External module and rollers: Can be produced in other colours.
- Box quantity: According to your request.

Modular transfer plates with lip (width 85 mm 4 rows of rollers)

Part. **416**



Rollers made of stainless steel AISI 304		Rollers made of polyethylene
With bearings	With bushings	
Code	Code	Code
416 / 85032	416 / 85809	416 / 84575

MATERIALS: Modular transfer plate with external module made of grey colour acetal; rollers made of grey colour polyethylene or stainless steel AISI 304; bearings made of chrome steel; bushings made of auto-lubricating polyamide; pins and fixing nuts made of stainless steel AISI 304.

FEATURES: To be assembled at the end of your conveyor to help the products transfer. Low friction coefficient, minimum noise level, extremely cleanable. The versions with rollers made in stainless steel, are available both with bearings made of chrome steel or with bushings made of auto-lubricating polyamide which are suitable for applications in contact with water.

BOX QUANTITY: 8 pieces.

ON REQUEST:

- External module and rollers: Can be produced in other colours.
- Box quantity: According to your request.



Suitable for applications which require maximum smoothness.

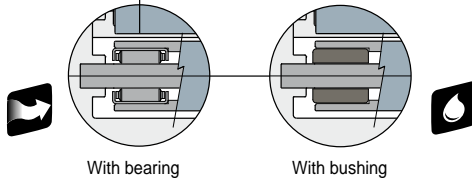
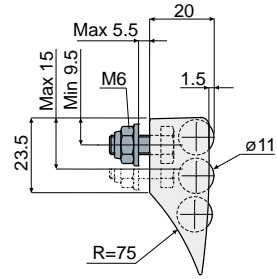
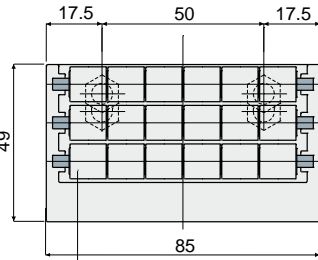
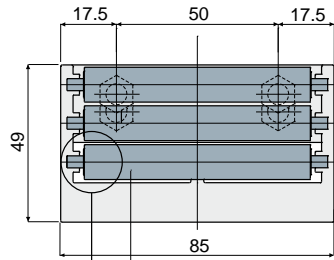


Suitable for applications in contact with water.

Modular transfer plates

Part. 261

Modular transfer plates with lip
(width 85 mm 3 rows of rollers)



Rollers made of stainless steel AISI 304	Rollers made of polyethylene
With bearings	With bushings
Code	Code
261 / 85006	261 / 85810
	261 / 82001

MATERIALS: Modular transfer plate with external module made of grey colour acetal; rollers made of grey colour polyethylene or stainless steel AISI 304; bearings made of chrome steel; bushings made of auto-lubricating polyamide; pins and fixing nuts made of stainless steel AISI 304.

FEATURES: To be assembled at the end of your conveyor to help the products transfer. Low friction coefficient, minimum noise level, extremely cleanable. The versions with rollers made in stainless steel, are available both with bearings made of chrome steel or with bushings made of auto-lubricating polyamide which are suitable for applications in contact with water.

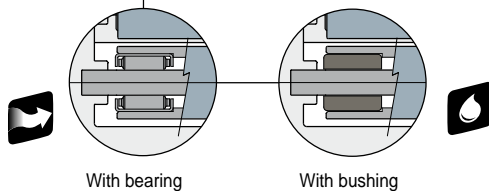
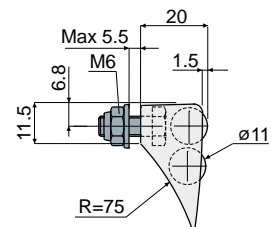
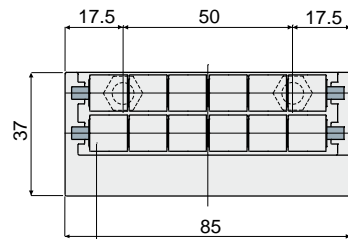
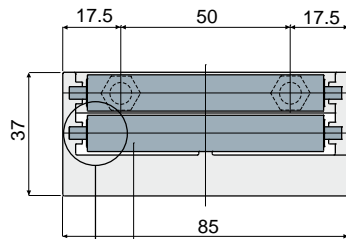
BOX QUANTITY: 8 pieces.

ON REQUEST:

- External module and rollers: Can be produced in other colours.
- Box quantity: According to your request.

Part. 262

Modular transfer plates with lip
(width 85 mm 2 rows of rollers)



Rollers made of stainless steel AISI 304	Rollers made of polyethylene
With bearings	With bushings
Code	Code
262 / 85005	262 / 85811
	262 / 82000

MATERIALS: Modular transfer plate with external module made of grey colour acetal; rollers made of grey colour polyethylene or stainless steel AISI 304; bearings made of chrome steel; bushings made of auto-lubricating polyamide; pins and fixing nuts made of stainless steel AISI 304.

FEATURES: To be assembled at the end of your conveyor to help the products transfer. Low friction coefficient, minimum noise level, extremely cleanable. The versions with rollers made in stainless steel, are available both with bearings made of chrome steel or with bushings made of auto-lubricating polyamide which are suitable for applications in contact with water.

BOX QUANTITY: 8 pieces.

ON REQUEST:

- External module and rollers: Can be produced in other colours.
- Box quantity: According to your request.



Suitable for applications which require maximum smoothness.

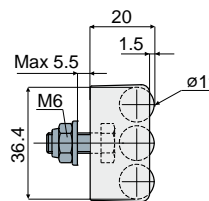
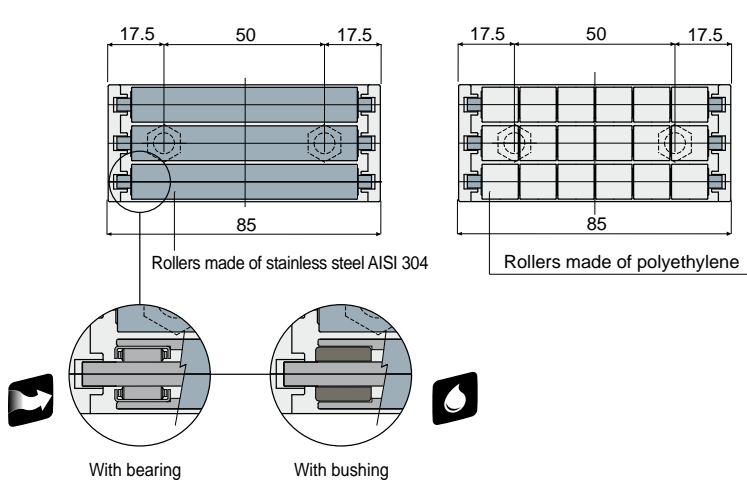


Suitable for applications in contact with water.

Modular transfer plates

Modular transfer plates without lip (width 85 mm 3 rows of rollers)

Part. **432**



Rollers made of stainless steel AISI 304 With bearings	Rollers made of polyethylene With bushings	Code
432 / 85082	432 / 85812	432 / 85086

MATERIALS: Modular transfer plate with external module made of grey colour acetal; rollers made of grey colour polyethylene or stainless steel AISI 304; bearings made of chrome steel; bushings made of auto-lubricating polyamide; pins and fixing nuts made of stainless steel AISI 304.

FEATURES: To be assembled at the end of your conveyor to help the products transfer. Low friction coefficient, minimum noise level, extremely cleanable. The versions with rollers made in stainless steel, are available both with bearings made of chrome steel or with bushings made of auto-lubricating polyamide which are suitable for applications in contact with water.

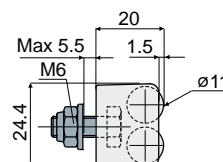
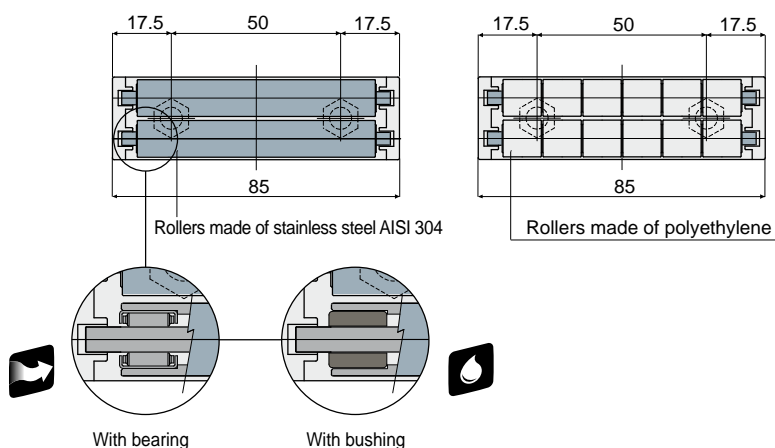
BOX QUANTITY: 8 pieces.

ON REQUEST:

- External module and rollers: Can be produced in other colours.
- Box quantity: According to your request.

Modular transfer plates without lip (width 85 mm 2 rows of rollers)

Part. **433**



Rollers made of stainless steel AISI 304 With bearings	Rollers made of polyethylene With bushings	Code
433 / 85083	433 / 85813	433 / 85087

MATERIALS: Modular transfer plate with external module made of grey colour acetal; rollers made of grey colour polyethylene or stainless steel AISI 304; bearings made of chrome steel; bushings made of auto-lubricating polyamide; pins and fixing nuts made of stainless steel AISI 304.

FEATURES: To be assembled at the end of your conveyor to help the products transfer. Low friction coefficient, minimum noise level, extremely cleanable. The versions with rollers made in stainless steel, are available both with bearings made of chrome steel or with bushings made of auto-lubricating polyamide which are suitable for applications in contact with water.

BOX QUANTITY: 8 pieces.

ON REQUEST:

- External module and rollers: Can be produced in other colours.
- Box quantity: According to your request.



Suitable for applications which require maximum smoothness.

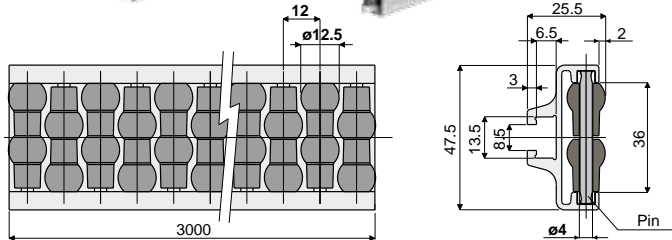
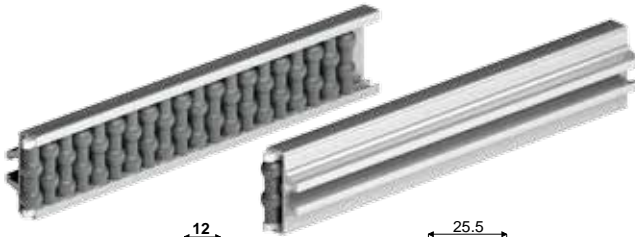


Suitable for applications in contact with water.

Product guides and accessories

Part. 306

Roller side guide with pearls
(single type, pitch of the rollers: 12 mm.)



Pins made of acetal	Pins made of stainless steel AISI 304
Code	Code
306 / 82809	306 / 84548

MATERIALS: Metal profile in anodized aluminium; rollers in grey polyethylene; support pins in white acetal or in stainless steel AISI 304.

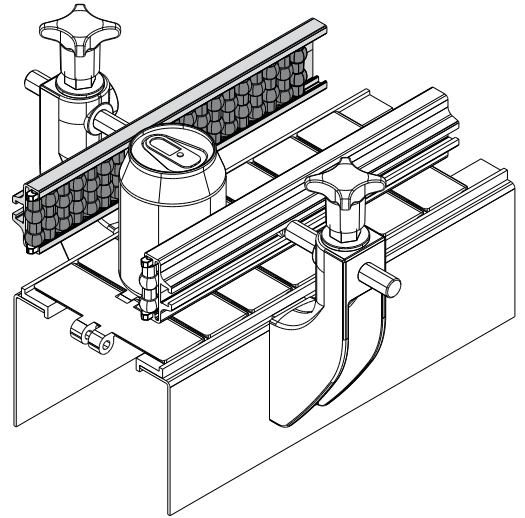
FEATURES: Supplied already assembled, in bars of 3 meters length.
Min. curvature radius: 250 mm.

BOX QUANTITY: 2 bars of 3 meters (total 6 meters).

ON REQUEST:

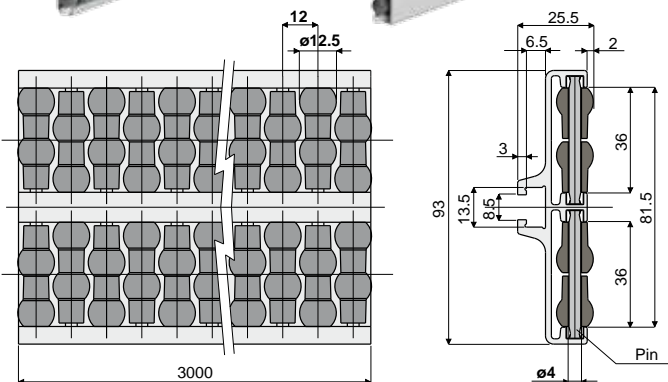
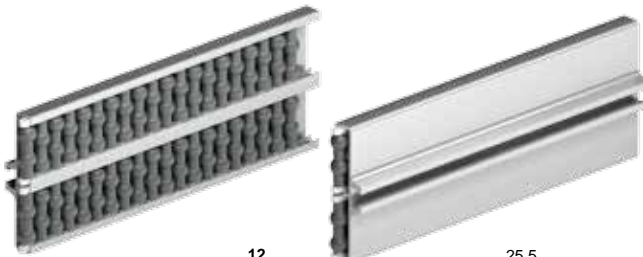
- Roller side guide: Other colours.

Example of application



Part. 307

Roller side guide with pearls
(double type, pitch of the rollers: 12 mm.)



Pins made of acetal	Pins made of stainless steel AISI 304
Code	Code
307 / 82810	307 / 84549

MATERIALS: Metal profile in anodized aluminium; rollers in grey polyethylene; support pins in white acetal or in stainless steel AISI 304.

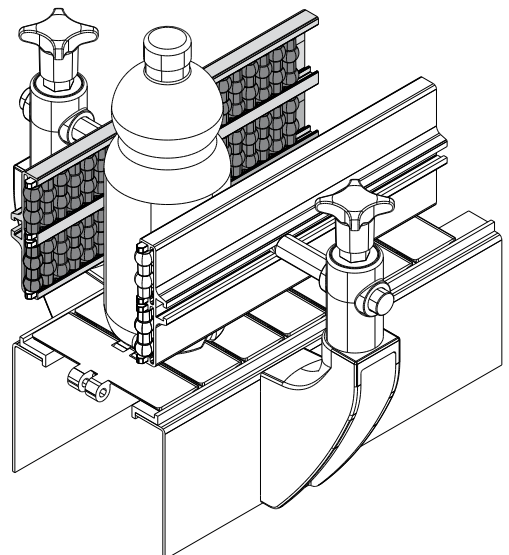
FEATURES: Supplied already assembled, in bars of 3 meters length.
Min. curvature radius: 500 mm.

BOX QUANTITY: 2 bars of 3 meters (total 6 meters).

ON REQUEST:

- Roller side guide: Other colours.

Example of application



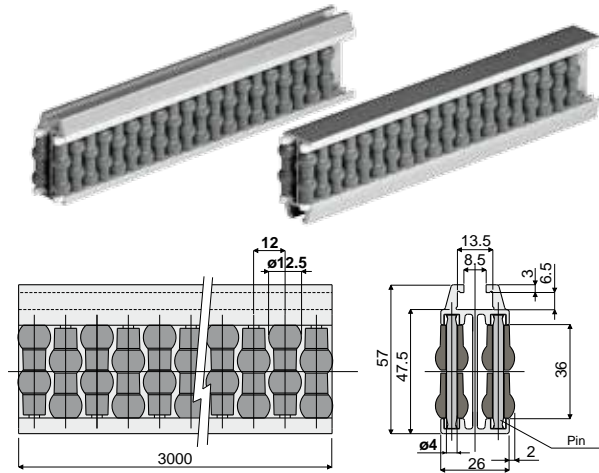
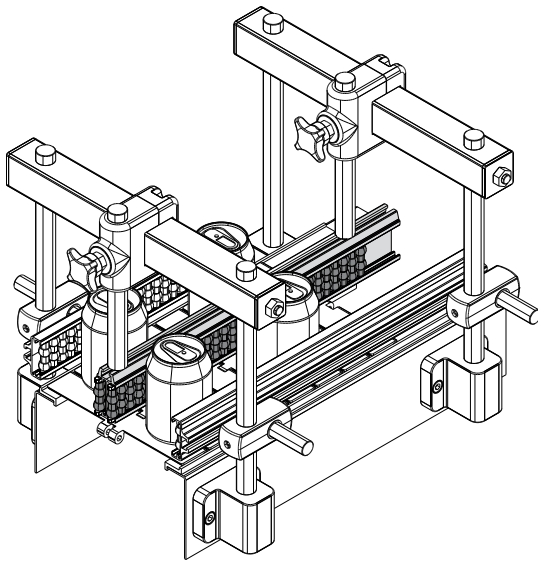
Suitable for applications which require maximum robustness.

Product guides and accessories

Roller central guide with pearls (single type, pitch of the rollers: 12 mm.)

Part. **308**

Example of application



Pins made of acetal	Pins made of stainless steel AISI 304
Code	Code
308 / 82811	308 / 84550

MATERIALS: Metal profile in anodized aluminium; rollers in grey polyethylene; support pins in white acetal or in stainless steel AISI 304.

FEATURES: Supplied already assembled, in bars of 3 meters length.
Min. curvature radius: 500 mm.

BOX QUANTITY: 2 bars of 3 meters (total 6 meters).

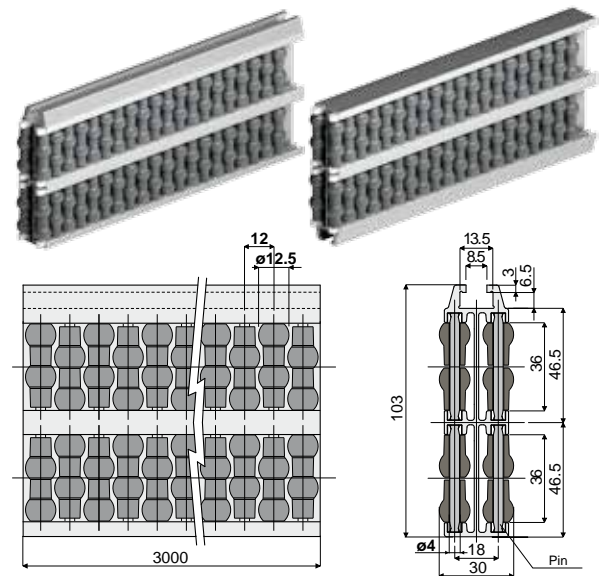
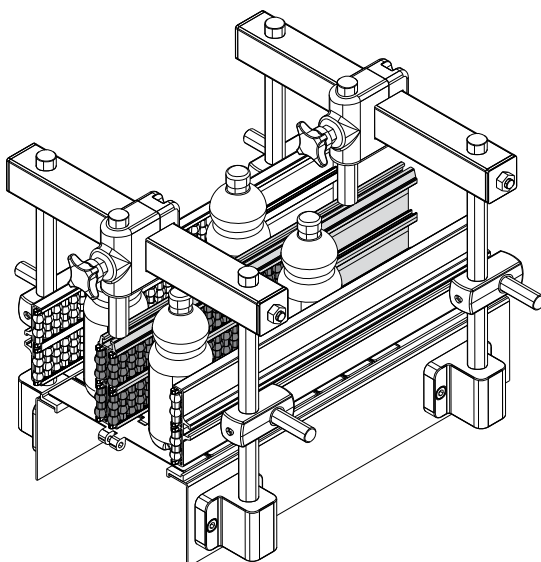
ON REQUEST:

- Roller central guide: Other colours.

Roller central guide with pearls (double type, pitch of the rollers: 12 mm.)

Part. **319**

Example of application



Pins made of acetal	Pins made of stainless steel AISI 304
Code	Code
319 / 82916	319 / 84551

MATERIALS: Metal profile in anodized aluminium; rollers in grey polyethylene; support pins in white acetal or in stainless steel AISI 304.

FEATURES: Supplied already assembled, in bars of 3 meters length.
Min. curvature radius: 750 mm.

BOX QUANTITY: 2 bars of 3 meters (total 6 meters).

ON REQUEST:

- Roller central guide: Other colours.

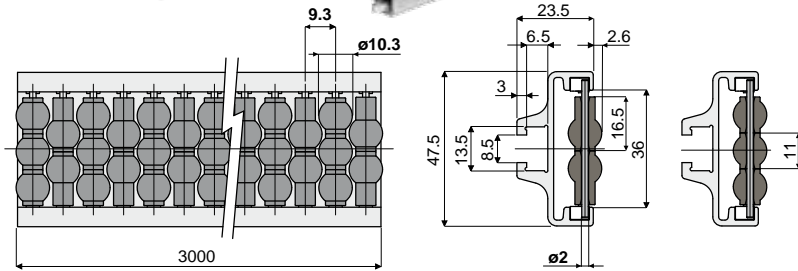
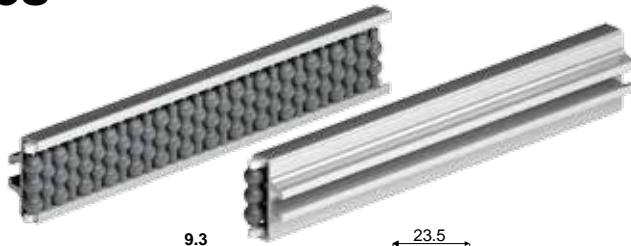


Suitable for applications which require maximum robustness.

Product guides and accessories

Part. 468

Roller side guide with pearls
(single type, pitch of the rollers: 9.3 mm.)



Code

468 / 85585

MATERIALS: Metal profile in anodized aluminium; rollers in grey polyethylene; support pins in stainless steel AISI 304.

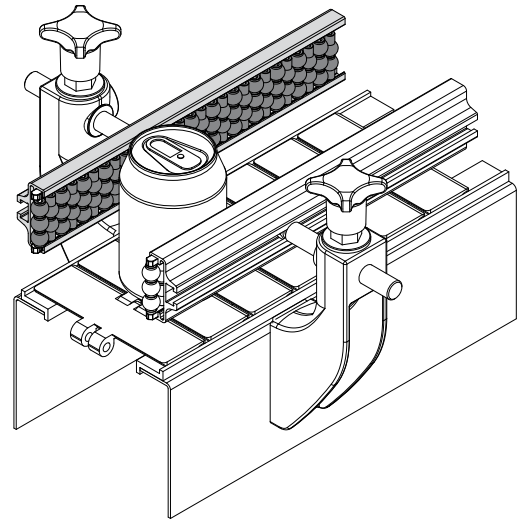
FEATURES: The reduced pitch of the rollers guarantees the maximum smoothness of the product. Supplied already assembled, in bars of 3 meters length. Min. curvature radius: 250 mm.

BOX QUANTITY: 2 bars of 3 meters (total 6 meters).

ON REQUEST:

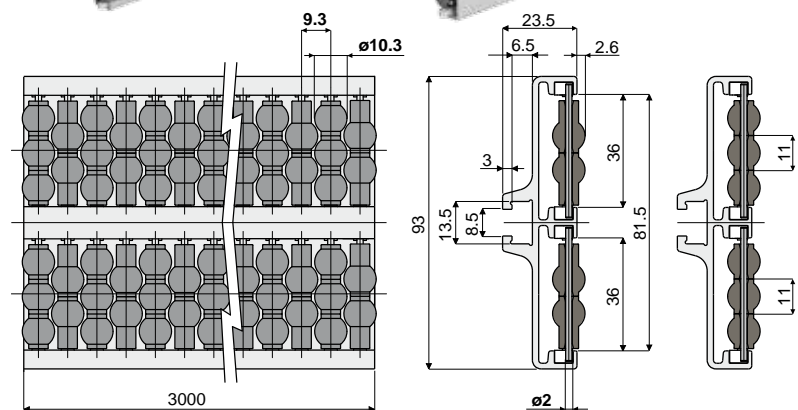
- Roller side guide: Other colours.

Example of application



Part. 474 Roller side guide with pearls

(double type, pitch of the rollers: 9.3 mm.)



Code

474 / 85978

MATERIALS: Metal profile in anodized aluminium; rollers in grey polyethylene; support pins in stainless steel AISI 304.

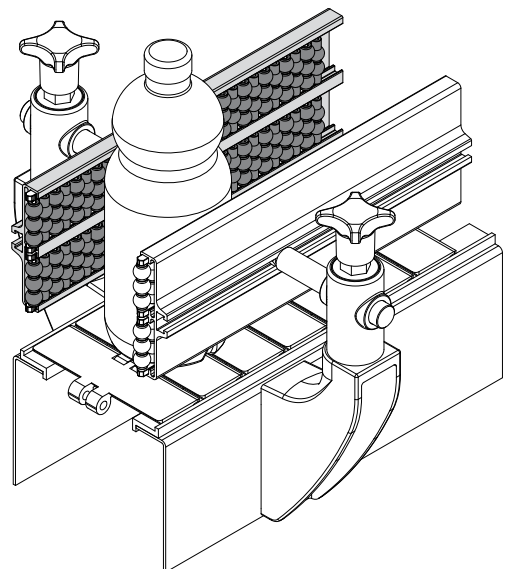
FEATURES: The reduced pitch of the rollers guarantees the maximum smoothness of the product. Supplied already assembled, in bars of 3 meters length. Min. curvature radius: 500 mm.

BOX QUANTITY: 2 bars of 3 meters (total 6 meters).

ON REQUEST:

- Roller side guide: Other colours.

Example of application



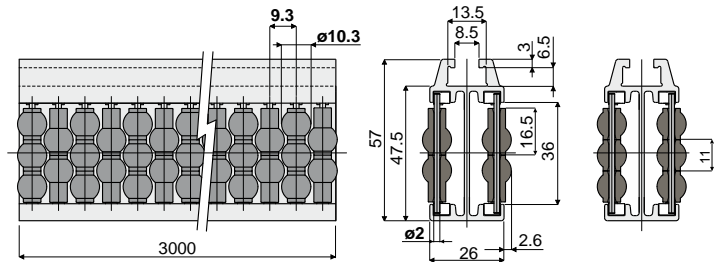
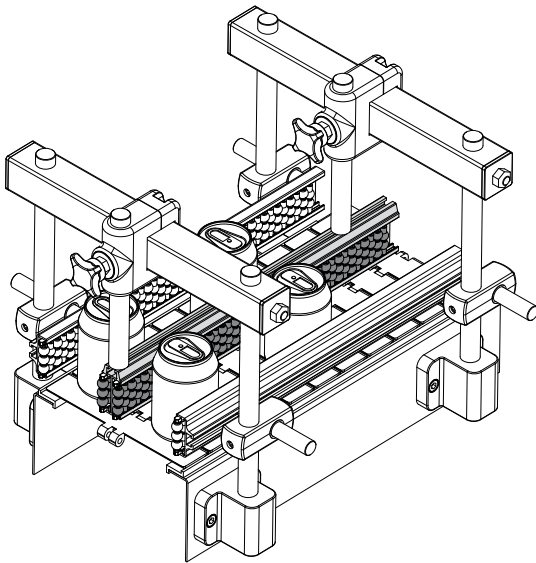
Suitable for applications which require maximum smoothness.

Product guides and accessories

Roller central guide with pearls (single type, pitch of the rollers: 9.3 mm.)

Part. **475**

Example of application



Code
475 / 85979

MATERIALS: Metal profile in anodized aluminium; rollers in grey polyethylene; support pins in stainless steel AISI 304.

FEATURES: The reduced pitch of the rollers guarantees the maximum smoothness of the product. Supplied already assembled, in bars of 3 meters length. Min. curvature radius: 500 mm.

BOX QUANTITY: 2 bars of 3 meters (total 6 meters).

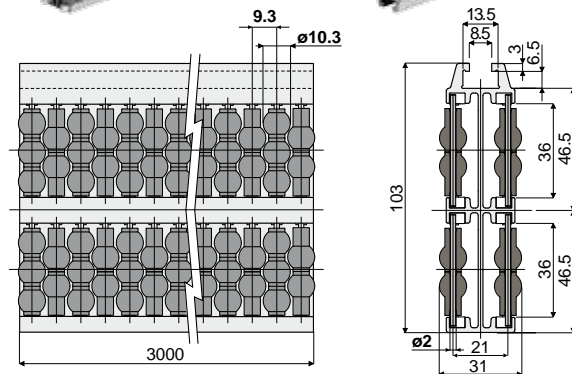
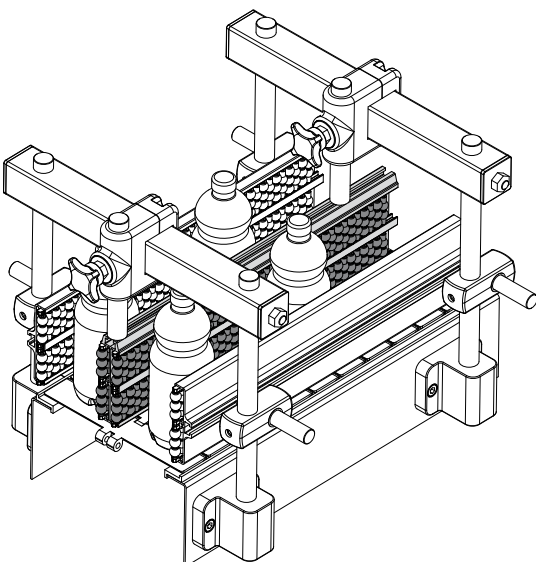
ON REQUEST:

- Roller central guide: Other colours.

Roller central guide with pearls (double type, pitch of the rollers: 9.3 mm.)

Part. **476**

Example of application



Code
476 / 85980

MATERIALS: Metal profile in anodized aluminium; rollers in grey polyethylene; support pins in stainless steel AISI 304.

FEATURES: The reduced pitch of the rollers guarantees the maximum smoothness of the product. Supplied already assembled, in bars of 3 meters length. Min. curvature radius: 750 mm.

BOX QUANTITY: 2 bars of 3 meters (total 6 meters).

ON REQUEST:

- Roller central guide: Other colours.

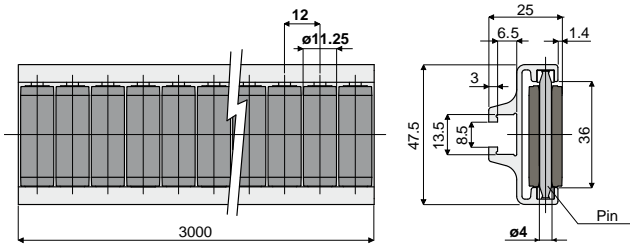


Suitable for applications which require maximum smoothness.

Product guides and accessories

Part. 325

Roller side guide with cylinders
(single type, pitch of the rollers: 12 mm.)



Pins made of acetal	Pins made of stainless steel AISI 304
Code	Code
325 / 83003	325 / 84552

MATERIALS: Metal profile in anodized aluminium; rollers in grey polyethylene; support pins in white acetal or in stainless steel AISI 304.

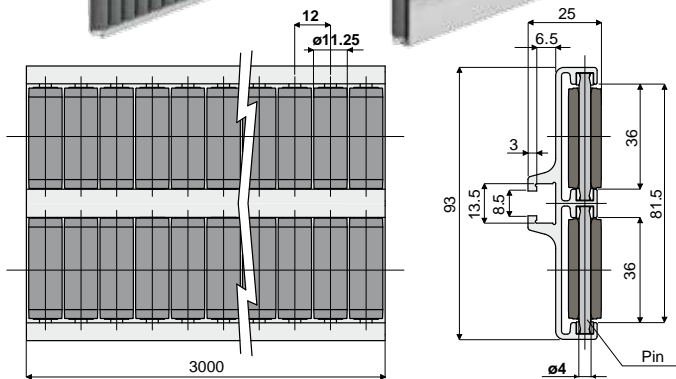
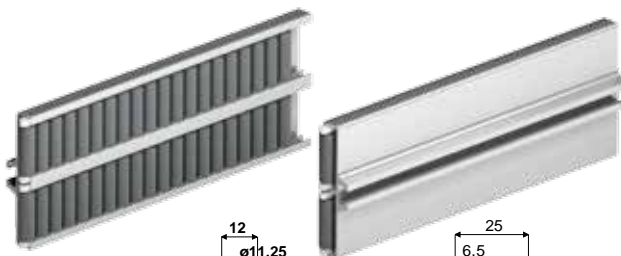
FEATURES: Supplied already assembled, in bars of 3 meters length.
Min. curvature radius: 250 mm.

BOX QUANTITY: 2 bars of 3 meters (total 6 meters).

ON REQUEST:

- Roller side guide: Other colours.

Part. 326 **Roller side guide with cylinders** (double type, pitch of the rollers: 12 mm.)



Pins made of acetal	Pins made of stainless steel AISI 304
Code	Code
326 / 83004	326 / 84553

MATERIALS: Metal profile in anodized aluminium; rollers in grey polyethylene; support pins in white acetal or in stainless steel AISI 304.

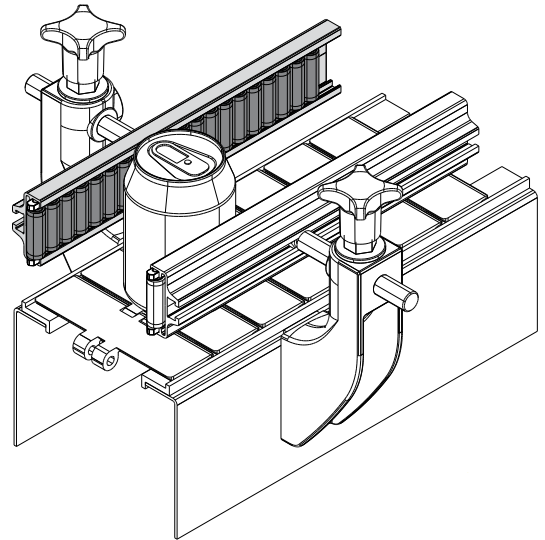
FEATURES: Supplied already assembled, in bars of 3 meters length.
Min. curvature radius: 500 mm.

BOX QUANTITY: 2 bars of 3 meters (total 6 meters).

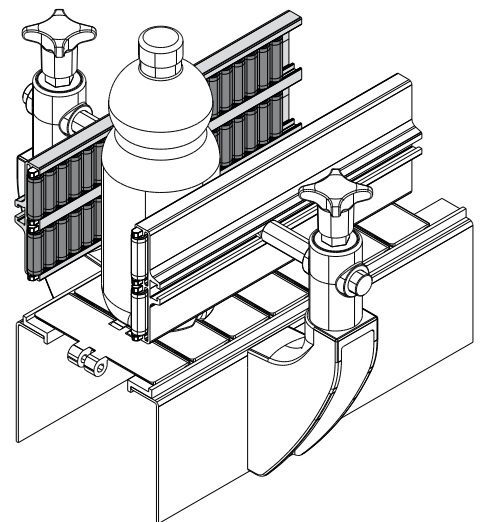
ON REQUEST:

- Roller side guide: Other colours.

Example of application



Example of application



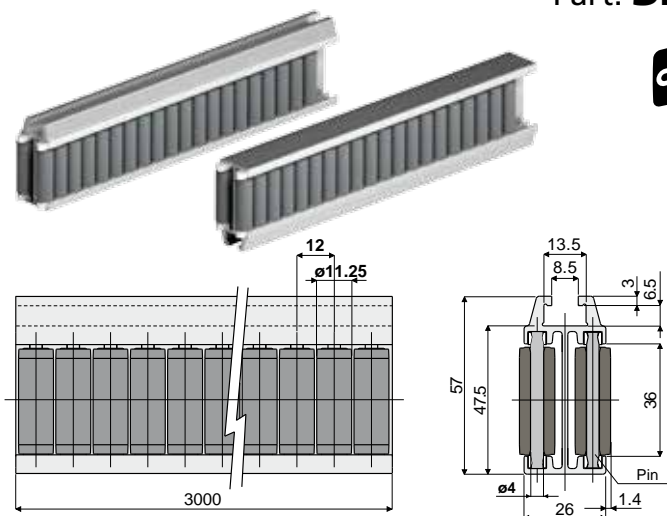
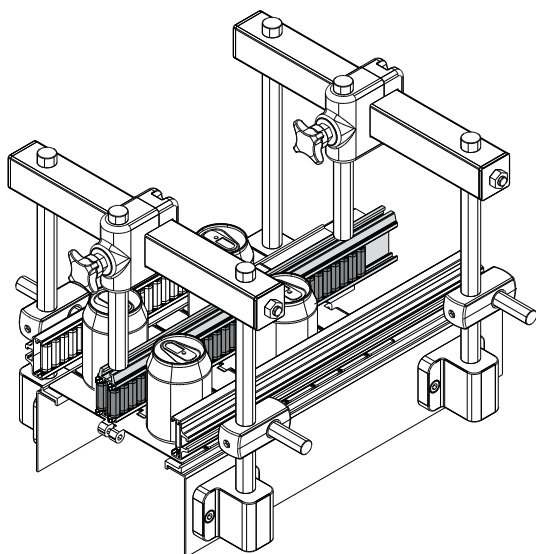
Suitable for applications which require maximum robustness.

Product guides and accessories

Roller central guide with cylinders (single type, pitch of the rollers: 12 mm.)

Part. **327**

Example of application



Pins made of acetal	Pins made of stainless steel AISI 304
Code	Code
327 / 83005	327 / 84555

MATERIALS: Metal profile in anodized aluminium; rollers in grey polyethylene; support pins in white acetal or in stainless steel AISI 304.

FEATURES: Supplied already assembled, in bars of 3 meters length.
Min. curvature radius: 500 mm.

BOX QUANTITY: 2 bars of 3 meters (total 6 meters).

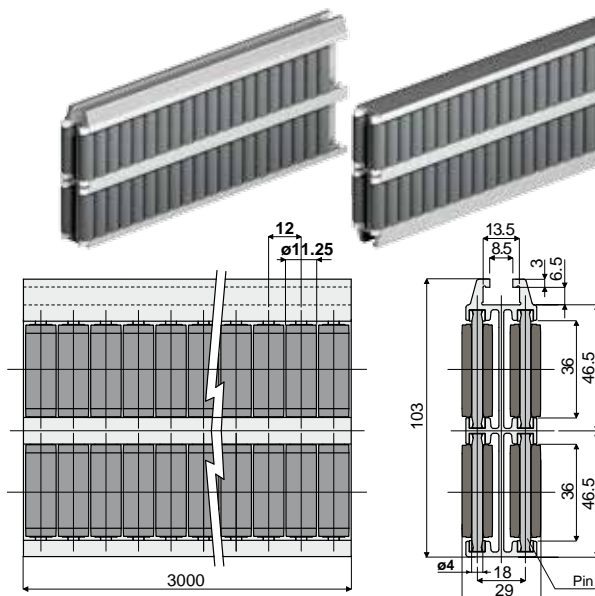
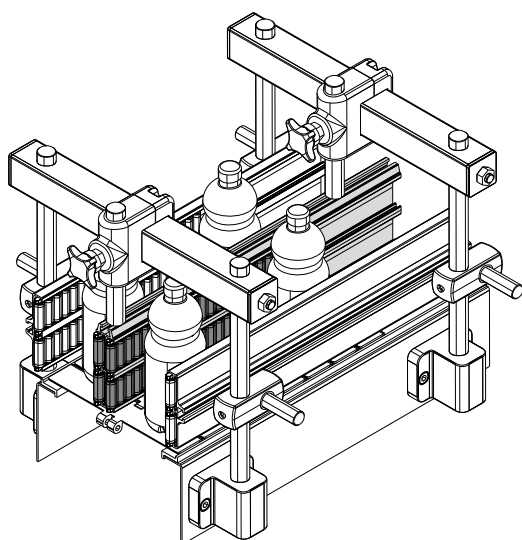
ON REQUEST:

- Roller central guide: Other colours.

Roller central guide with cylinders (double type, pitch of the rollers: 12 mm.)

Part. **328**

Example of application



Pins made of acetal	Pins made of stainless steel AISI 304
Code	Code
328 / 83006	328 / 84556

MATERIALS: Metal profile in anodized aluminium; rollers in grey polyethylene; support pins in white acetal or in stainless steel AISI 304.

FEATURES: Supplied already assembled, in bars of 3 meters length.
Min. curvature radius: 750 mm.

BOX QUANTITY: 2 bars of 3 meters (total 6 meters).

ON REQUEST:

- Roller central guide: Other colours.

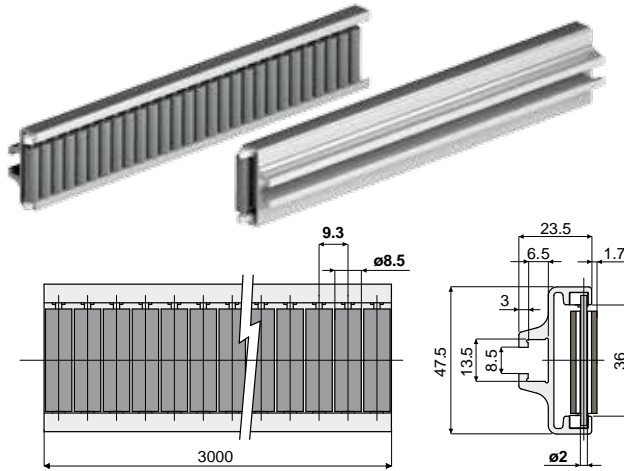


Suitable for applications which require maximum robustness.

Product guides and accessories

Part. 467

Roller side guide with rubberised cylinders
(single type, pitch of the rollers: 9.3 mm.)



Code

467 / 85584

MATERIALS: Metal profile in anodized aluminium; rollers in polyethylene and grey colour rubber; support pins in stainless steel AISI 304.

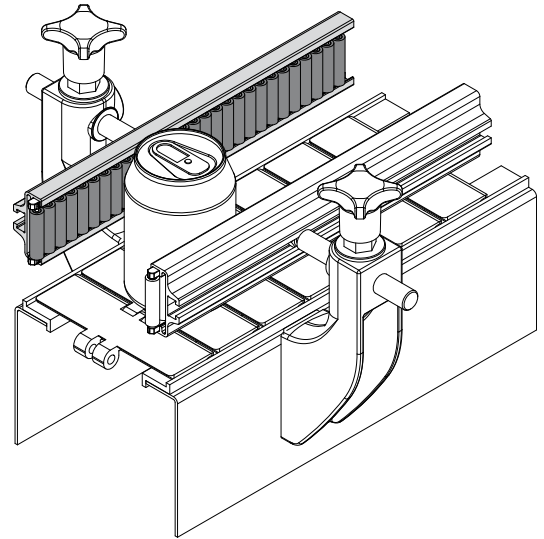
FEATURES: The rubberised surface of the rollers guarantees a lower noise level. Supplied already assembled, in bars of 3 meters length. Min. curvature radius: 250 mm.

BOX QUANTITY: 2 bars of 3 meters (total 6 meters).

ON REQUEST:

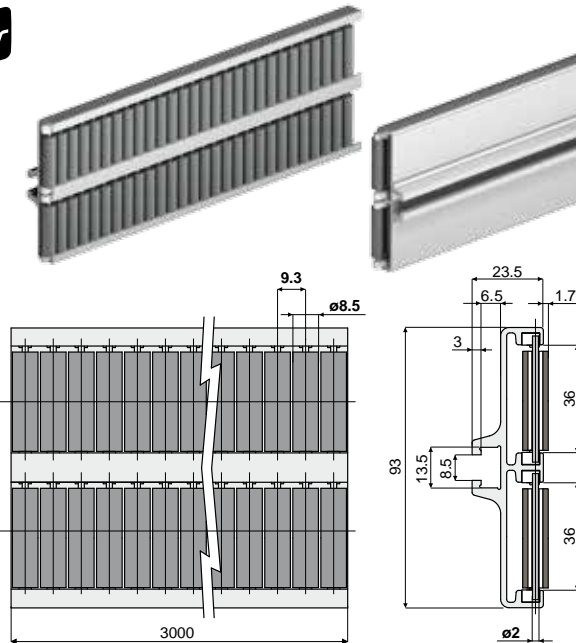
- Roller side guide: Other colours.

Example of application



Part. 477

Roller side guide with rubberised cylinders
(double type, pitch of the rollers: 9.3 mm.)



Code

477 / 85981

MATERIALS: Metal profile in anodized aluminium; rollers in polyethylene and grey colour rubber; support pins in stainless steel AISI 304.

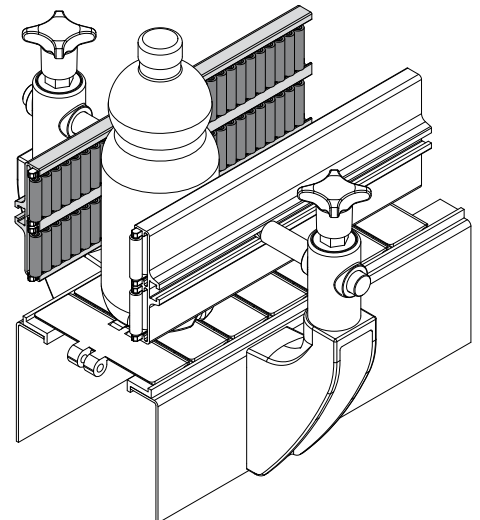
FEATURES: The rubberised surface of the rollers guarantees a lower noise level. Supplied already assembled, in bars of 3 meters length. Min. curvature radius: 500 mm.

BOX QUANTITY: 2 bars of 3 meters (total 6 meters).

ON REQUEST:

- Roller side guide: Other colours.

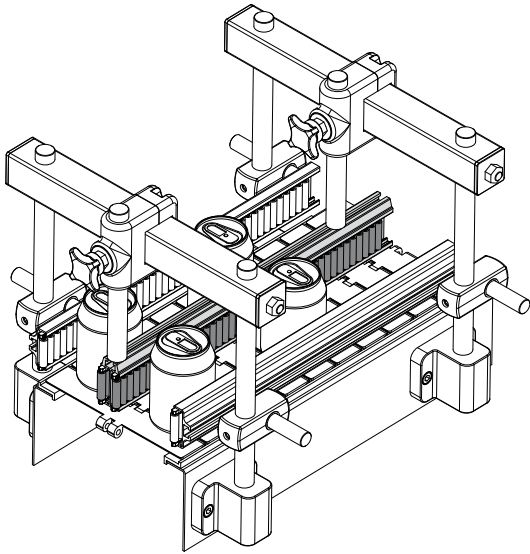
Example of application



Suitable for applications which require low noise levels.

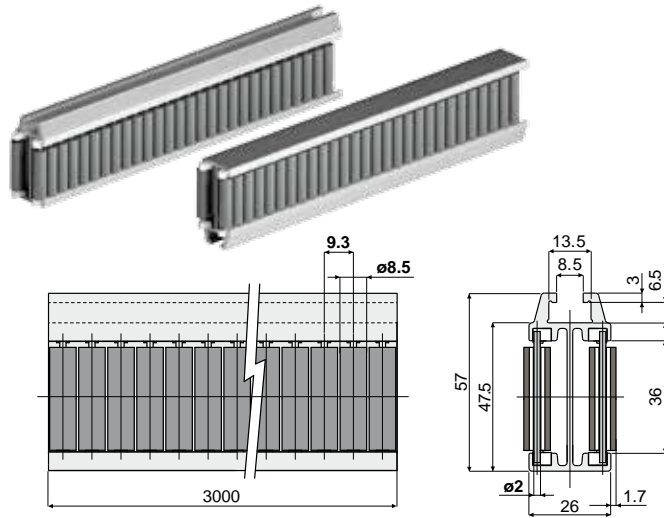
Product guides and accessories

Example of application



Roller central guide with rubberised cylinders (single type, pitch of the rollers: 9.3 mm.)

Part. **478**



Code

478 / 85982

MATERIALS: Metal profile in anodized aluminium; rollers in polyethylene and grey colour rubber; support pins in stainless steel AISI 304.

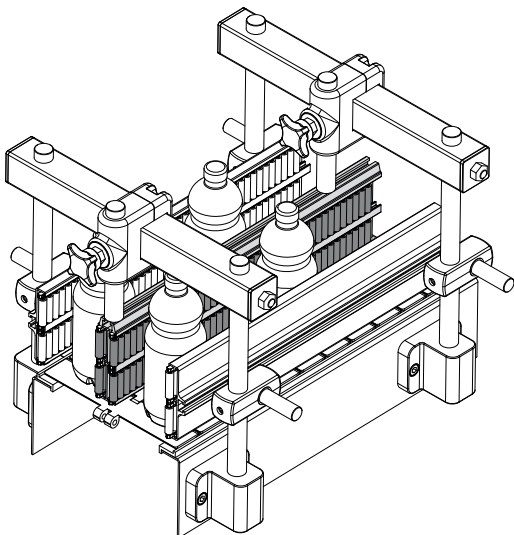
FEATURES: The rubberised surface of the rollers guarantees a lower noise level. Supplied already assembled, in bars of 3 meters length. Min. curvature radius: 500 mm.

BOX QUANTITY: 2 bars of 3 meters (total 6 meters).

ON REQUEST:

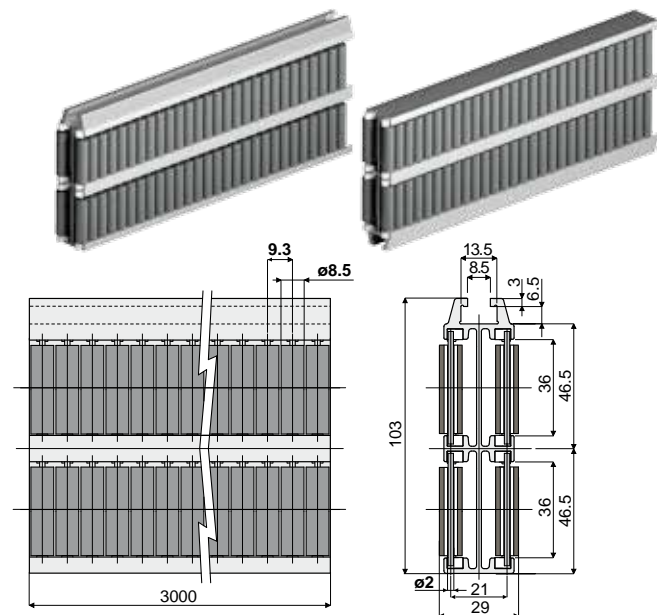
- Roller central guide: Other colours.

Example of application



Roller central guide with rubberised cylinders (double type, pitch of the rollers: 9.3 mm.)

Part. **479**



Code

479 / 85983

MATERIALS: Metal profile in anodized aluminium; rollers in polyethylene and grey colour rubber; support pins in stainless steel AISI 304.

FEATURES: The rubberised surface of the rollers guarantees a lower noise level. Supplied already assembled, in bars of 3 meters length. Min. curvature radius: 750 mm.

BOX QUANTITY: 2 bars of 3 meters (total 6 meters).

ON REQUEST:

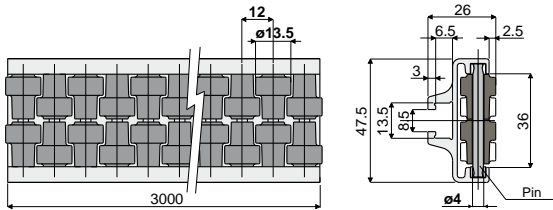
- Roller central guide: Other colours.



Suitable for applications which require low noise levels.

Product guides and accessories

Part. **355** Roller side guide with round rollers (single type, pitch of the rollers: 12 mm.)



Pins made of acetal	Pins made of stainless steel AISI 304
Code	Code
355 / 83473	355 / 84557

MATERIALS: Metal profile in anodized aluminium; rollers in grey polyethylene; support pins in white acetal or in stainless steel AISI 304.

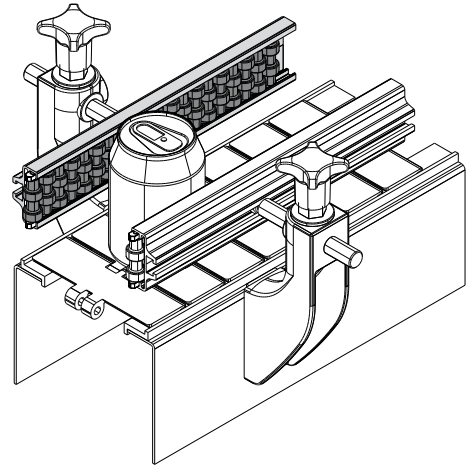
FEATURES: Supplied already assembled, in bars of 3 meters length. Min. curvature radius: 250 mm.

BOX QUANTITY: 2 bars of 3 meters (total 6 meters).

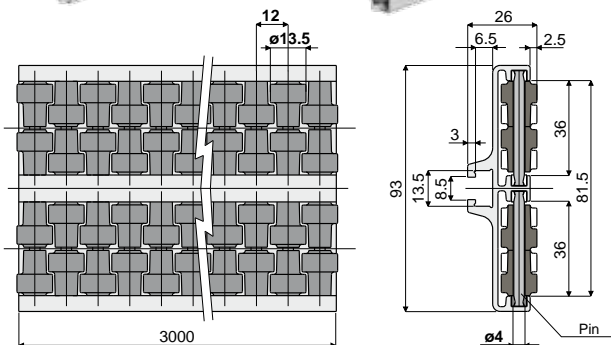
ON REQUEST:

- Roller side guide: Other colours.

Example of application



Part. **356** Roller side guide with round rollers (double type, pitch of the rollers: 12 mm.)



Pins made of acetal	Pins made of stainless steel AISI 304
Code	Code
356 / 83474	356 / 84558

MATERIALS: Metal profile in anodized aluminium; rollers in grey polyethylene; support pins in white acetal or in stainless steel AISI 304.

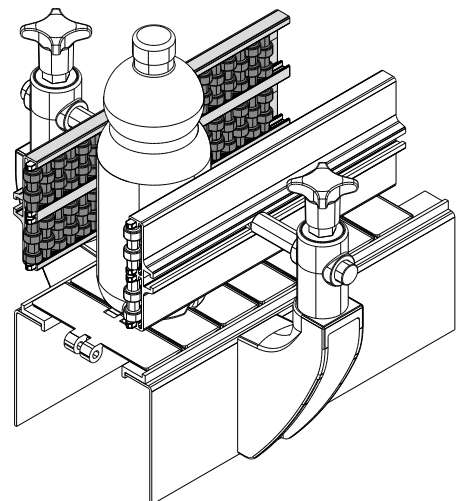
FEATURES: Supplied already assembled, in bars of 3 meters length. Min. curvature radius: 500 mm.

BOX QUANTITY: 2 bars of 3 meters (total 6 meters).

ON REQUEST:

- Roller side guide: Other colours.

Example of application



Suitable for applications which require maximum robustness.

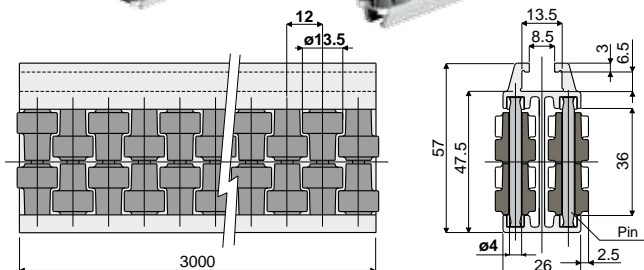
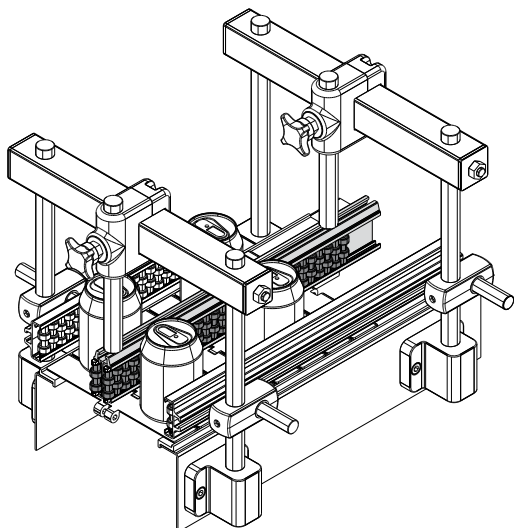
Product guides and accessories

Roller central guide with round rollers

(single type, pitch of the rollers: 12 mm.)

Part. **357**

Example of application



Pins made of acetal	Pins made of stainless steel AISI 304
Code	Code
357 / 83475	357 / 84559

MATERIALS: Metal profile in anodized aluminium; rollers in grey polyethylene; support pins in white acetal or in stainless steel AISI 304.

FEATURES: Supplied already assembled, in bars of 3 meters length. Min. curvature radius: 500 mm.

BOX QUANTITY: 2 bars of 3 meters (total 6 meters).

ON REQUEST:

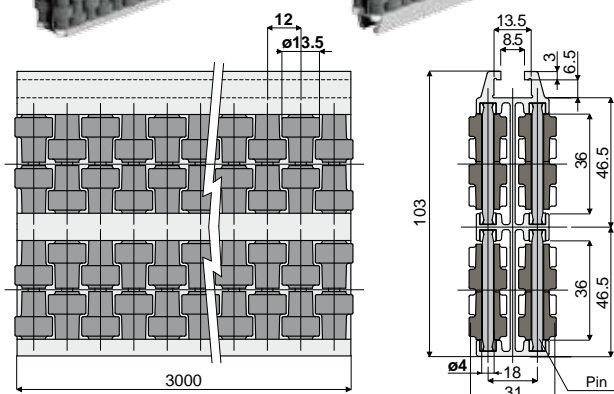
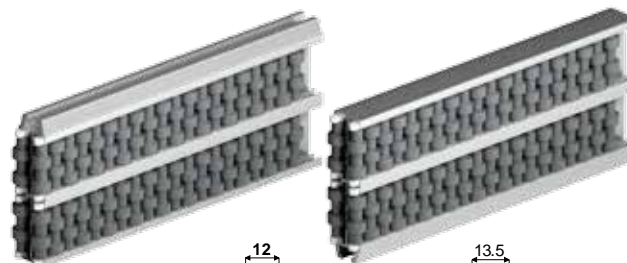
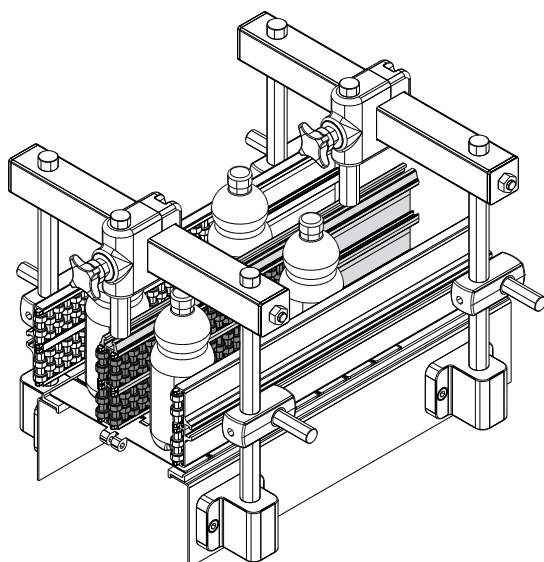
- Roller central guide: Other colours.

Roller central guide with round rollers

(double type, pitch of the rollers: 12 mm.)

Part. **358**

Example of application



Pins made of acetal	Pins made of stainless steel AISI 304
Code	Code
358 / 83476	358 / 84560

MATERIALS: Metal profile in anodized aluminium; rollers in grey polyethylene; support pins in white acetal or in stainless steel AISI 304.

FEATURES: Supplied already assembled, in bars of 3 meters length. Min. curvature radius: 750 mm.

BOX QUANTITY: 2 bars of 3 meters (total 6 meters).

ON REQUEST:

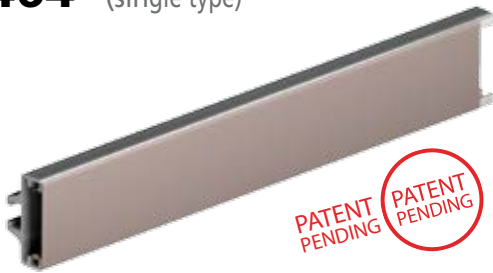
- Roller central guide: Other colours.



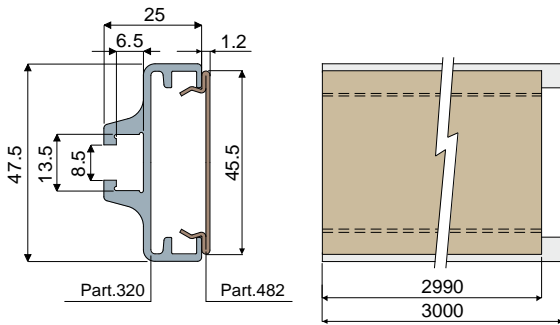
Suitable for applications which require maximum robustness.

Product guides and accessories

Part. 464 Side guide (single type)



PATENT PENDING



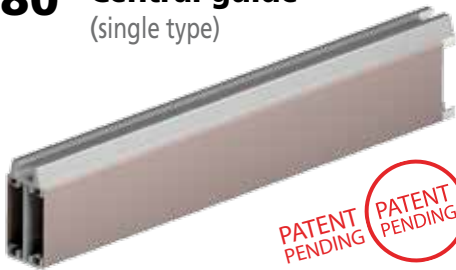
Code
464 / 85561

MATERIALS: Metal profile in anodized aluminium; guide profile in stainless steel AISI 304 covered with peek.

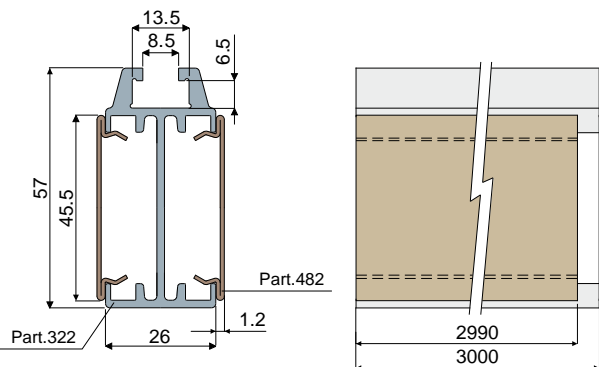
FEATURES: Suitable for use with bundles covered with shrink-wrapped polyethylene film. The coating with peek guarantees maximum smoothness of the product. Suitable for high temperatures applications. Peek covering thickness: min. 40 µ, max 50 µ. Supplied already assembled, in bars of 3 meters length.

BOX QUANTITY: 2 bars of 3 meters (total 6 meters).

Part. 480 Central guide (single type)



PATENT PENDING



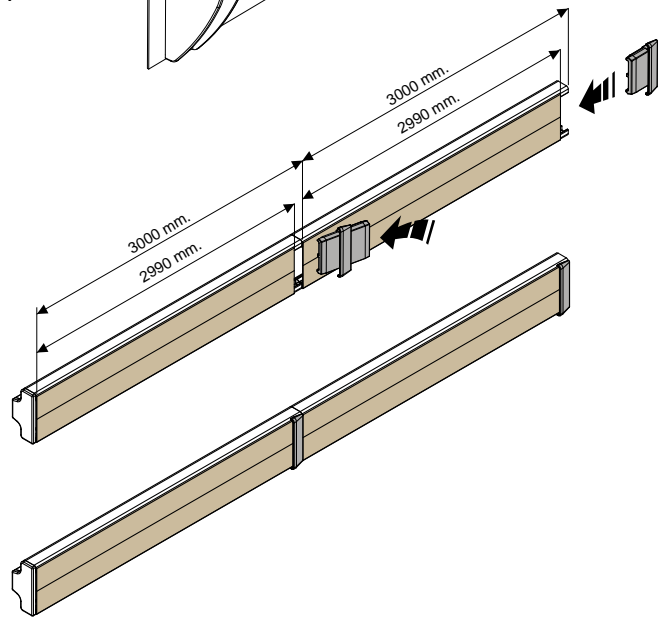
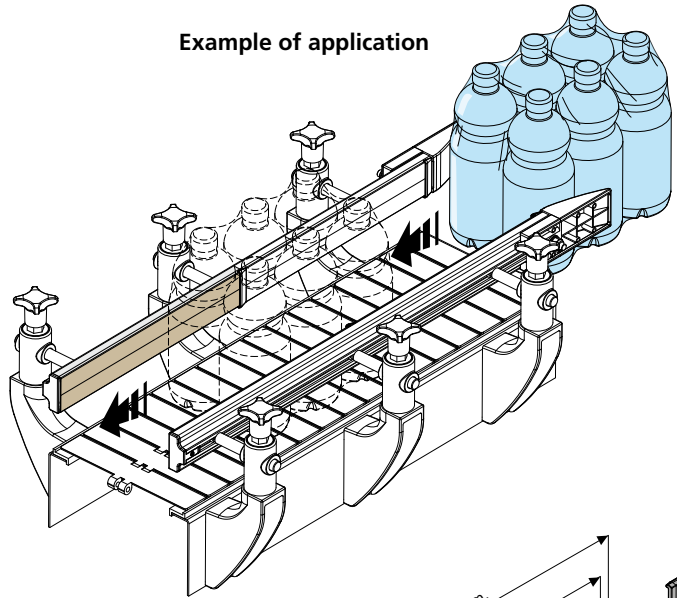
Code
480 / 86696

MATERIALS: Metal profile in anodized aluminium; guide profile in stainless steel AISI 304 covered with peek.

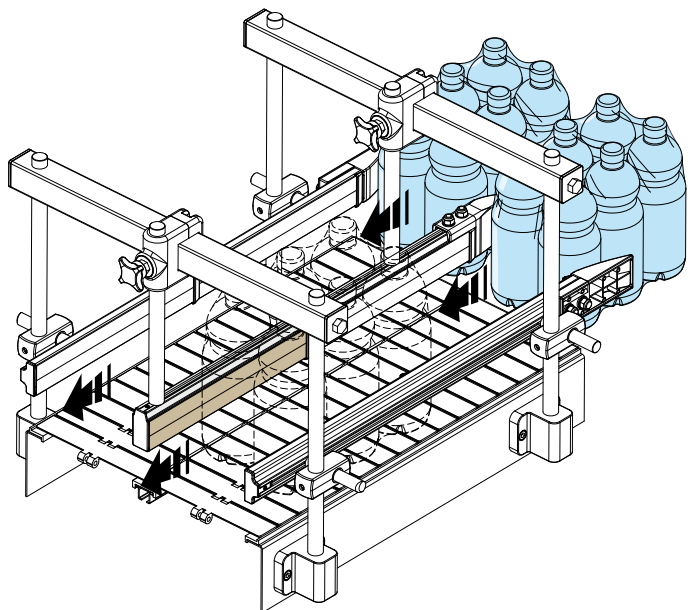
FEATURES: Suitable for use with bundles covered with shrink-wrapped polyethylene film. The coating with peek guarantees maximum smoothness of the product. Suitable for high temperatures applications. Peek covering thickness: min. 40 µ, max 50 µ. Supplied already assembled, in bars of 3 meters length.

BOX QUANTITY: 2 bars of 3 meters (total 6 meters).

Example of application



Example of application



Suitable for applications which require maximum smoothness.



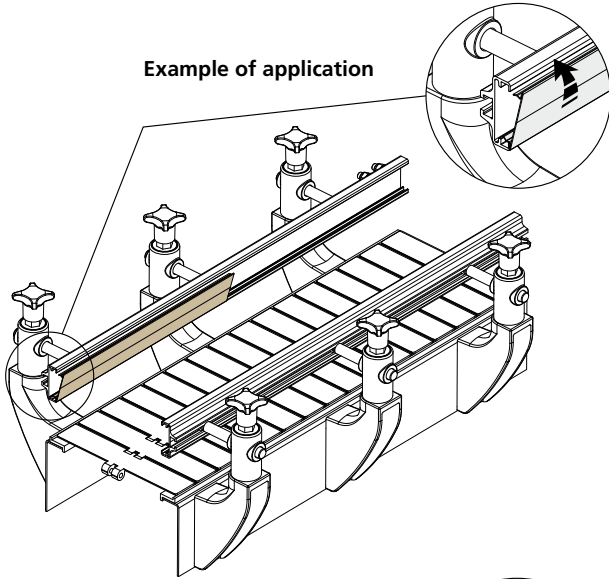
Suitable for use with bundles covered with shrink-wrapped polyethylene film.



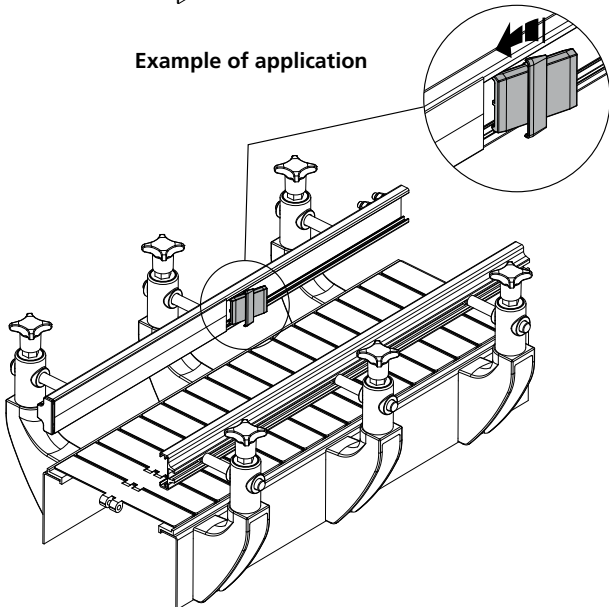
Suitable for high temperatures applications.

Product guides and accessories

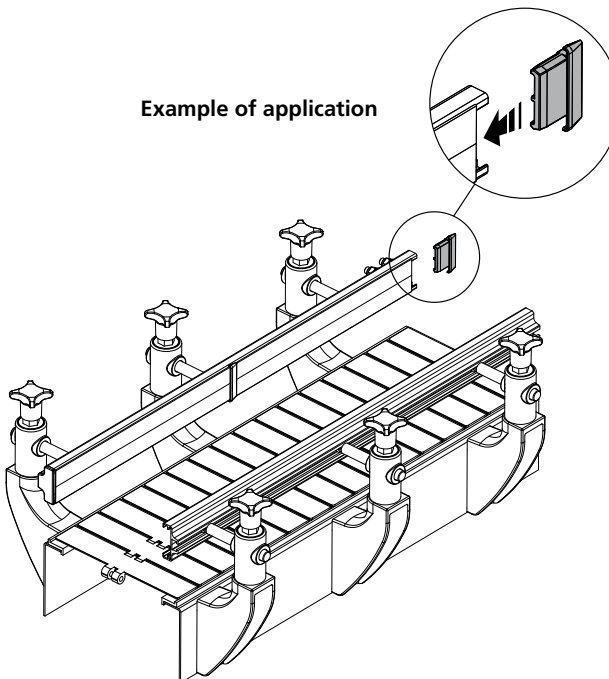
Example of application



Example of application

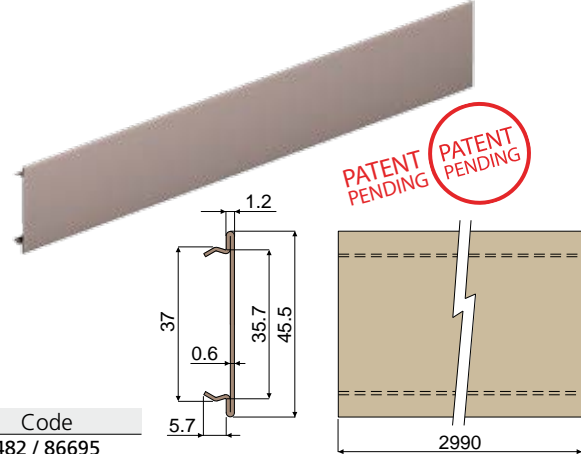


Example of application



Guide profile (metallic profile)

Part. **482**

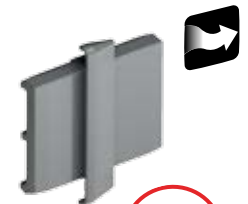
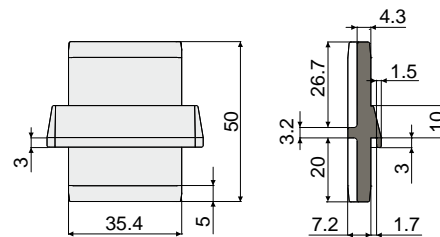


Code
482 / 86695

MATERIALS: Guide profile in stainless steel AISI 304 covered with peek.
FEATURES: Suitable for use with bundles covered with shrink-wrapped polyethylene film. The coating with peek guarantees maximum smoothness of the product. Suitable for high temperatures applications. Peek covering thickness: min. 40 μ, max 50 μ. Supplied in bars of 2.99 meters length. Snap-on assembly on profiles: Part.320, 322.
BOX QUANTITY: 2 bars of 2.99 meters (total 5.98 meters).

Connecting element (for Part.464, 480)

Part. **466**



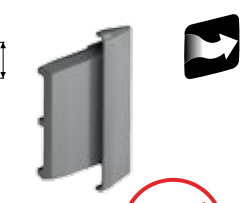
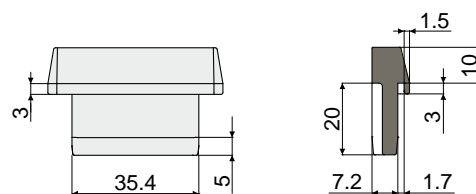
Code
466 / 85563

MATERIALS: Connecting element in grey colour polyamide and auto-lubricating additive.
FEATURES: To be used as a connecting element between the guides: Part.464, 480. The self-lubricating additive guarantees maximum smoothness of the product.
BOX QUANTITY: 8 pieces.
ON REQUEST:

- Box quantity: According to your request.

Closing cap (for Part.464, 480)

Part. **465**



Code
465 / 85562

MATERIALS: Cap in grey colour polyamide and auto-lubricating additive.
FEATURES: To be used as a closure cap at the extremities of the guides: Part.464, 480. The self-lubricating additive guarantees maximum smoothness of the product.
BOX QUANTITY: 8 pieces.
ON REQUEST:

- Box quantity: According to your request.



Suitable for applications which require maximum smoothness.



Suitable for use with bundles covered with shrink-wrapped polyethylene film.

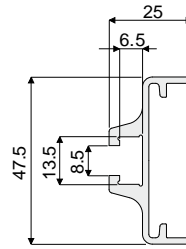


Suitable for high temperatures applications.

Product guides and accessories

Profile for side guides

Part. **320**



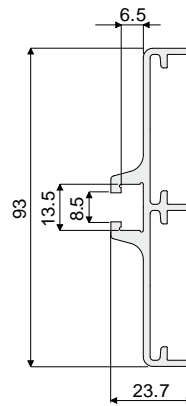
Type	Version	Code	Length
Side	Single	320 / 82917	3 Mt.

MATERIALS: Metal profile in anodized aluminium.

FEATURES: Supplied in bars of 3 meters length. To be used with guides Part.306, 325, 355, 467, 468, 464.

BOX QUANTITY: 2 bars of 3 meters (total 6 meters).

Part. **321** Profile for side guides



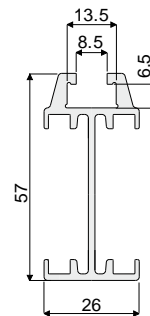
Type	Version	Code	Length
Side	Double	321 / 82918	3 Mt.

MATERIALS: Metal profile in anodized aluminium.

FEATURES: Supplied in bars of 3 meters length. To be used with guides Part.307, 326, 356, 474, 477.

BOX QUANTITY: 2 bars of 3 meters (total 6 meters).

Part. **322** Profile for central guides



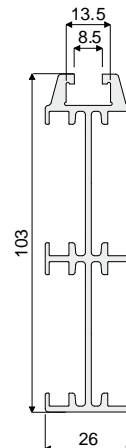
Type	Version	Code	Length
Central	Single	322 / 82919	3 Mt.

MATERIALS: Metal profile in anodized aluminium.

FEATURES: Supplied in bars of 3 meters length. To be used with guides Part.308, 327, 357, 475, 478, 480.

BOX QUANTITY: 2 bars of 3 meters (total 6 meters).

Part. **323** Profile for central guides



Type	Version	Code	Length
Central	Double	323 / 82920	3 Mt.

MATERIALS: Metal profile in anodized aluminium.

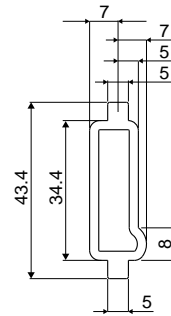
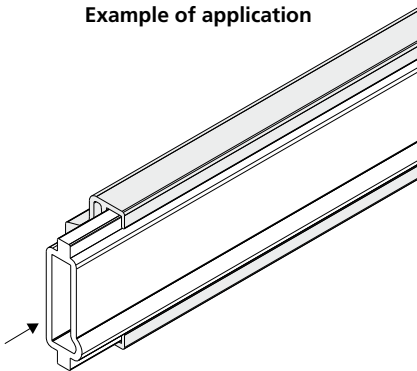
FEATURES: Supplied in bars of 3 meters length. To be used with guides Part.319, 328, 358, 476, 479.

BOX QUANTITY: 2 bars of 3 meters (total 6 meters).

Product guides and accessories

Guide profile for products Part. 329

Example of application



Code

329 / 83007

MATERIALS: Profile made of natural polyethylene white colour.

FEATURES: Supplied in bars of 3 meters length.

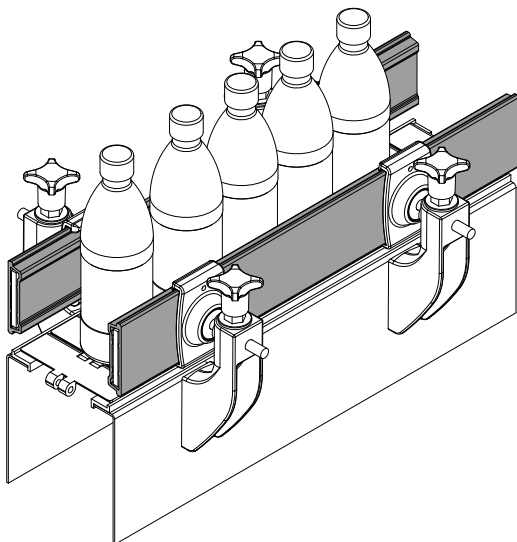
To be used with guides Part.320, 321, 322, 323.

BOX QUANTITY: 6 bars of 3 meters (total 18 meters).

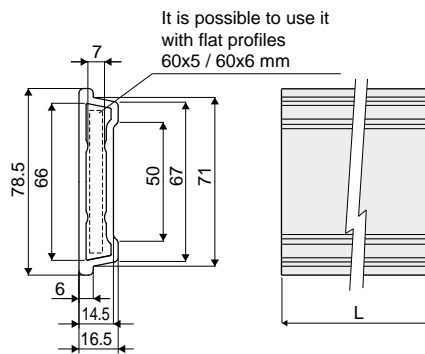
ON REQUEST:

- Box quantity: According to your request.

Example of application



Guide profile Part. 463



Code	Colour	L
463 / 85552	Black	3 Mt.
463 / 87562	Black	6 Mt.
463 / 87563	Blue Ral 5005	3 Mt.
463 / 87564	Blue Ral 5005	6 Mt.

MATERIALS: Profile made of HD polyethylene black or blue Ral 5005 colour.

FEATURES: Supplied in bars of 3 or 6 meters length. To be mounted with rail clamps: Part.427, 434 and with the connecting joint Part.511. Min. curvature radius: 200 mm.

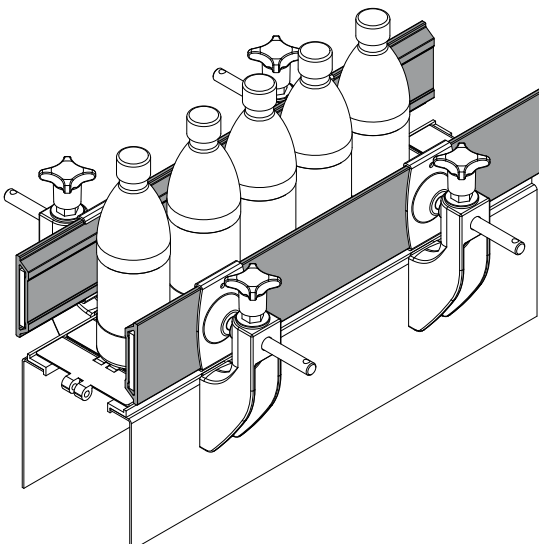
BOX QUANTITY:

- 3 Mt. lengths version: This item is sold in Mt. - Min. 6 Mt. (2 lengths);
- 6 Mt. lengths version: This item is sold in Mt. - Min. 12 Mt. (2 lengths).

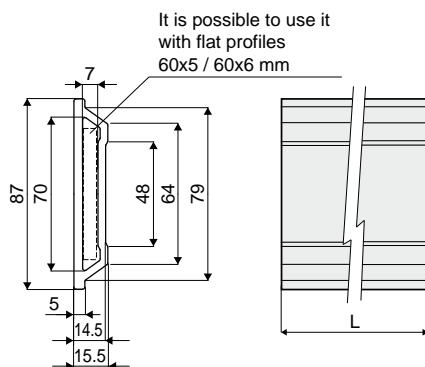
ON REQUEST:

- Box quantity: According to your request.

Example of application



Guide profile Part. 528



Code	Colour	L
528 / 87565	Black	3 Mt.
528 / 87566	Black	6 Mt.
528 / 87567	Blue Ral 5005	3 Mt.
528 / 87568	Blue Ral 5005	6 Mt.

MATERIALS: Profile made of HD polyethylene black or blue Ral 5005 colour.

FEATURES: Supplied in bars of 3 or 6 meters length. To be mounted with rail clamp Part.531. Min. curvature radius: 200 mm.

BOX QUANTITY:

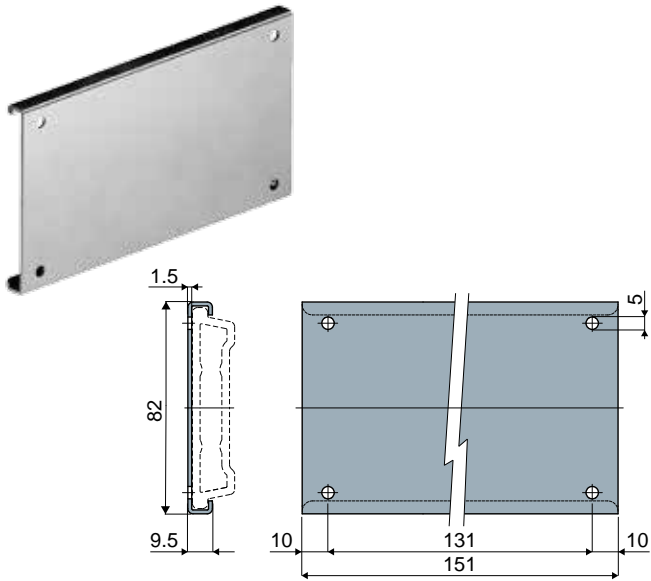
- 3 Mt. lengths version: This item is sold in Mt. - Min. 6 Mt. (2 lengths);
- 6 Mt. lengths version: This item is sold in Mt. - Min. 12 Mt. (2 lengths).

ON REQUEST:

- Box quantity: According to your request.

Product guides and accessories

Part. 511 Connecting joint (for Part.463)



Code
511 / 87044

MATERIALS: Joint and screws made of stainless steel AISI 304.

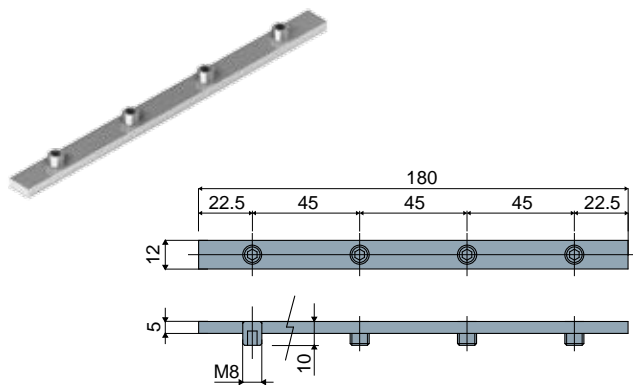
FEATURES: To be used for connecting the profiles Part.463.

BOX QUANTITY: 8 pieces.

ON REQUEST:

- Box quantity: According to your request.

Part. 318 Connecting bar for guides



Code
318 / 82913

MATERIALS: Bar is made of zinc plated steel supplied with 4 zinc plated steel screws M8x10.

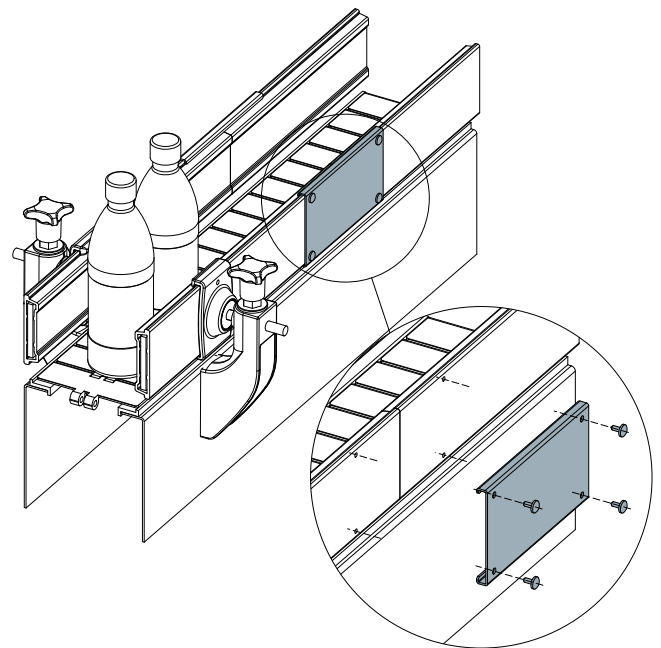
FEATURES: To be used for connecting the metal profiles of Part. 306, 307, 308, 319, 468, 474, 475, 476, 325, 326, 327, 328, 467, 477, 478, 479, 355, 356, 357, 358, 464, 480, 320, 321, 322, 323, 381 (Type 2), 384 (Type 2).

BOX QUANTITY: 8 pieces.

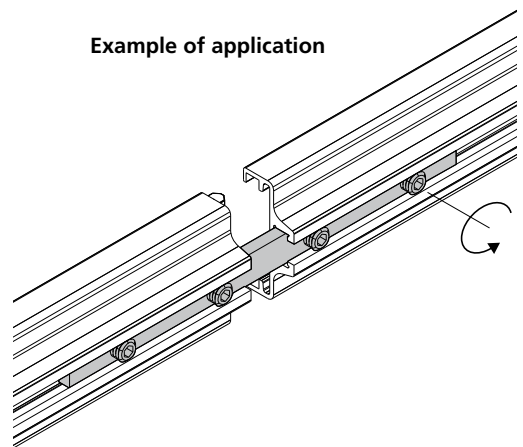
ON REQUEST:

- Box quantity: According to your request.

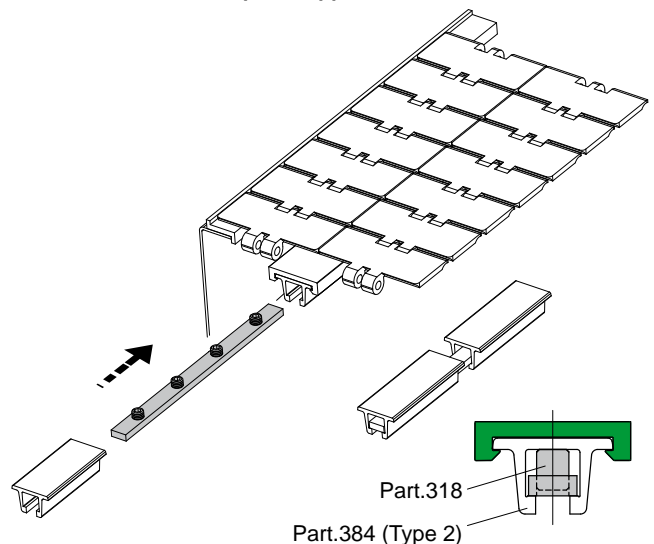
Example of application



Example of application

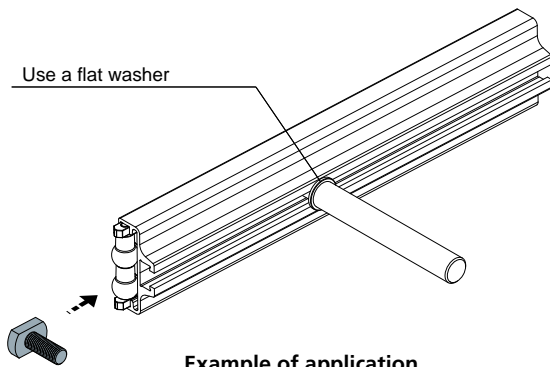


Example of application

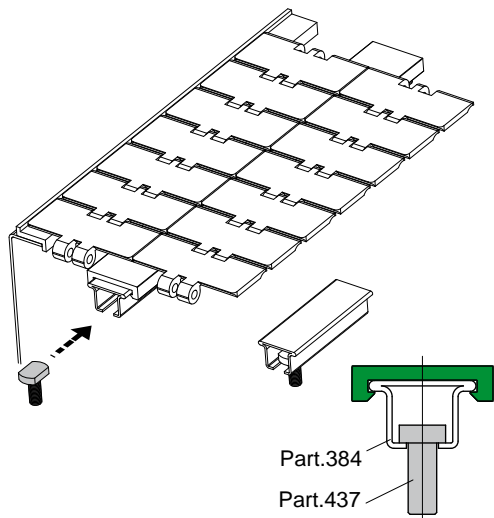


Product guides and accessories

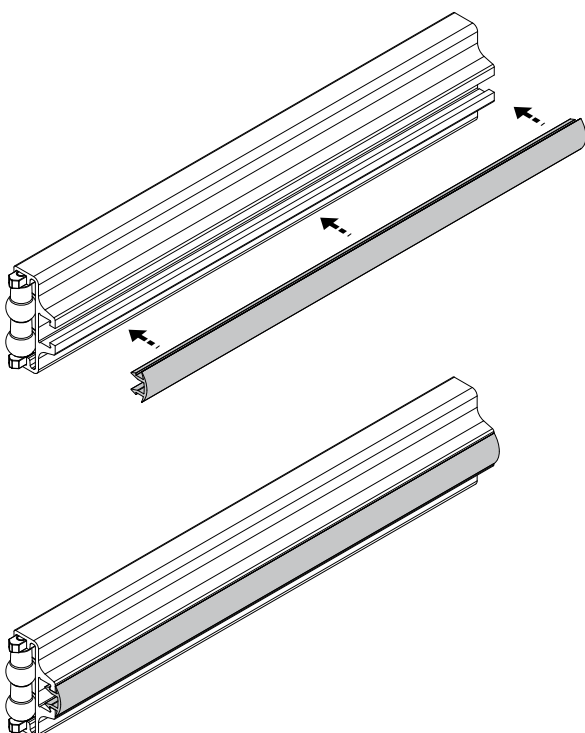
Example of application



Example of application

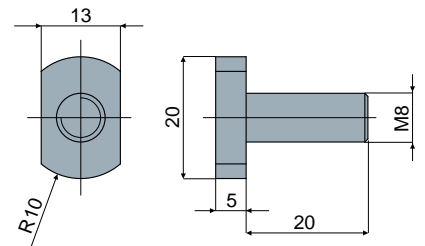


Example of application



Screw with shaped head (hammer head)

Part. **437**



Code

437 / 85235

MATERIALS: Screw in zinc-plated steel.

FEATURES: To be used with guides Part.306, 307, 308, 319, 468, 474, 475, 476, 325, 326, 327, 328, 467, 477, 478, 479, 355, 356, 357, 358, 464, 480, 320, 321, 322, 323, 381, 384.

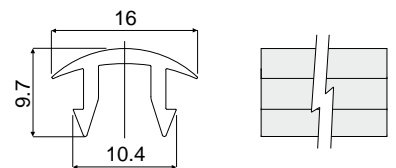
BOX QUANTITY: 24 pieces.

ON REQUEST:

- Box quantity: According to your request.

Slot closing profile

Part. **522**



Code

522 / 87355

MATERIALS: Profile made of soft PVC grey colour.

FEATURES: To be used with guides Part.306, 307, 308, 319, 468, 474, 475, 476, 325, 326, 327, 328, 467, 477, 478, 479, 355, 356, 357, 358, 464, 480, 320, 321, 322, 323, 381, 384. Pressure mounting.

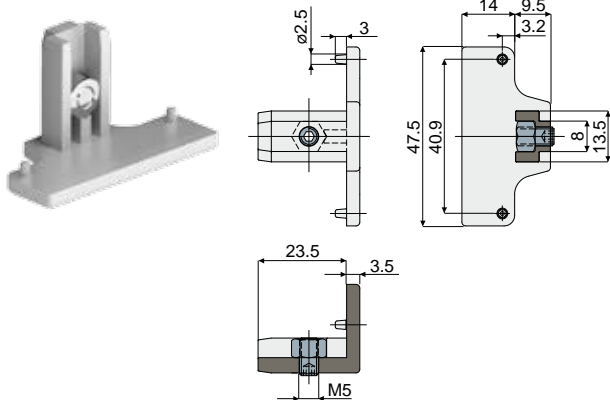
BOX QUANTITY: This item is sold in Mt. - Min. 20 Mt.

ON REQUEST:

- Box quantity: According to your request.

Product guides and accessories

Part. 415 Closing cap (for side guides, single type)



Code
415 / 84547

MATERIALS: Cap in reinforced polyamide grey colour; nut and grub screw in stainless steel AISI 304.

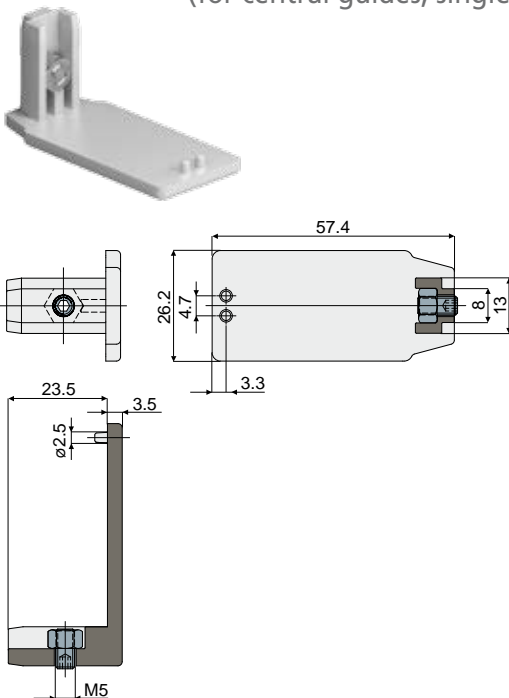
FEATURES: To be used as a closure cap at the extremities of the side guides: Part.306, 468, 325, 467, 355, 464.

BOX QUANTITY: 24 pieces.

ON REQUEST:

- Assembling of: Nuts and grub screws.
- Box quantity: According to your request.

Part. 481 Closing cap (for central guides, single type)



Code
481 / 86002

MATERIALS: Cap in reinforced polyamide grey colour; nut and grub screw in stainless steel AISI 304.

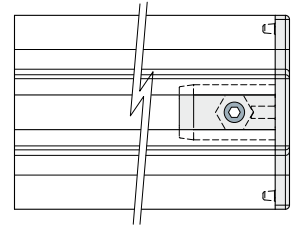
FEATURES: To be used as a closure cap at the extremities of the central guides: Part.308, 475, 327, 478, 357, 480.

BOX QUANTITY: 24 pieces.

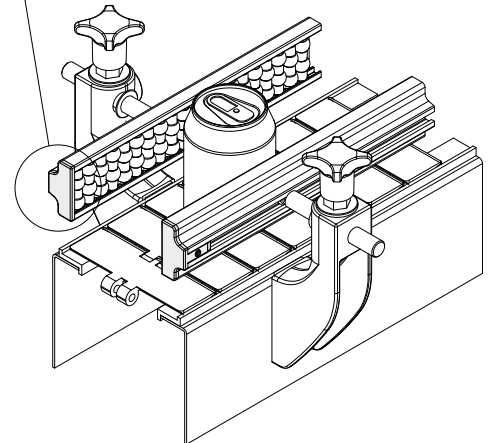
ON REQUEST:

- Assembling of: Nuts and grub screws.
- Box quantity: According to your request.

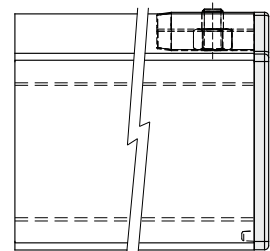
Example of application



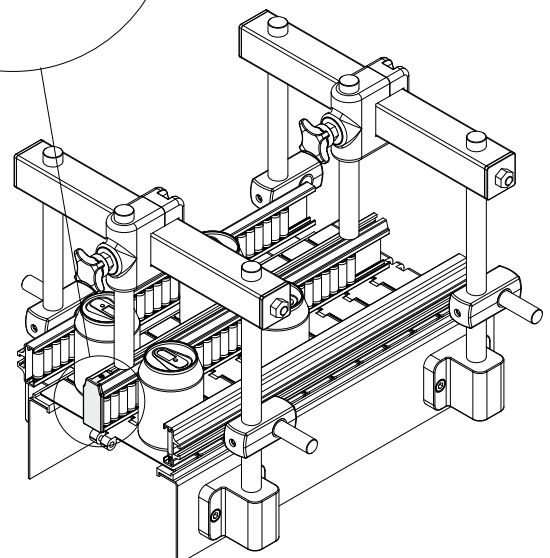
Example of application



Example of application



Example of application

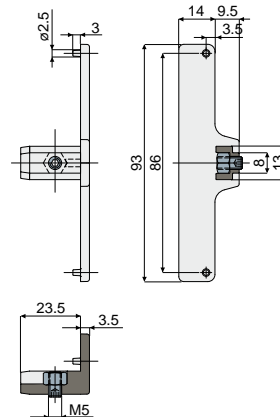
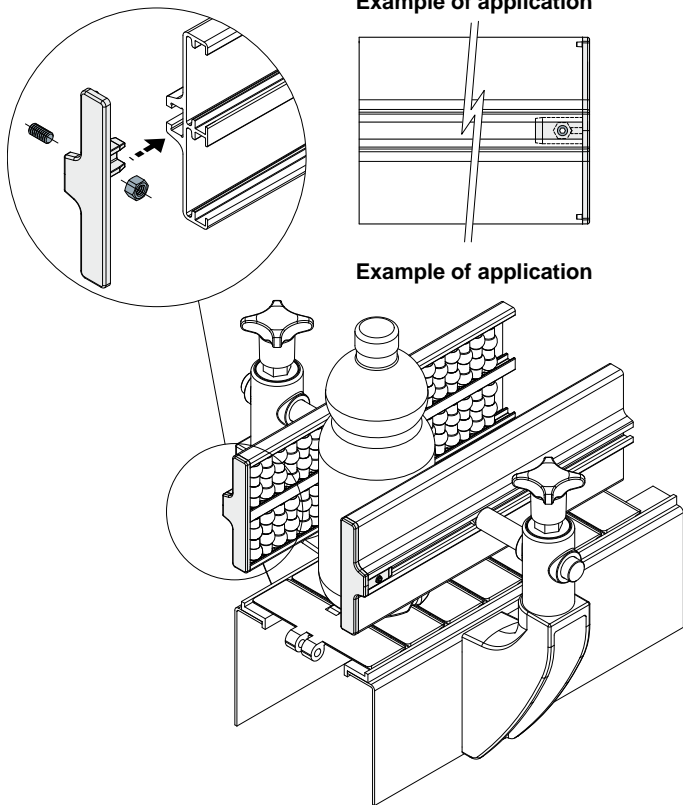


Product guides and accessories

Closing cap

(for side guides, double type)

Part. **493**



Code
493 / 87014

MATERIALS: Cap in reinforced polyamide grey colour; nut and grub screw in stainless steel AISI 304.

FEATURES: To be used as a closure cap at the extremities of the side guides: Part.307, 474, 326, 477, 356.

BOX QUANTITY: 24 pieces.

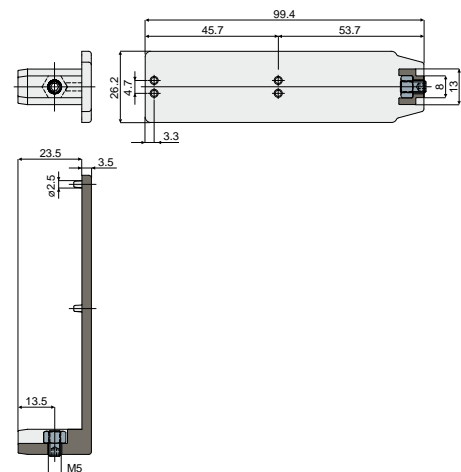
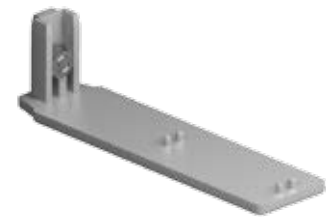
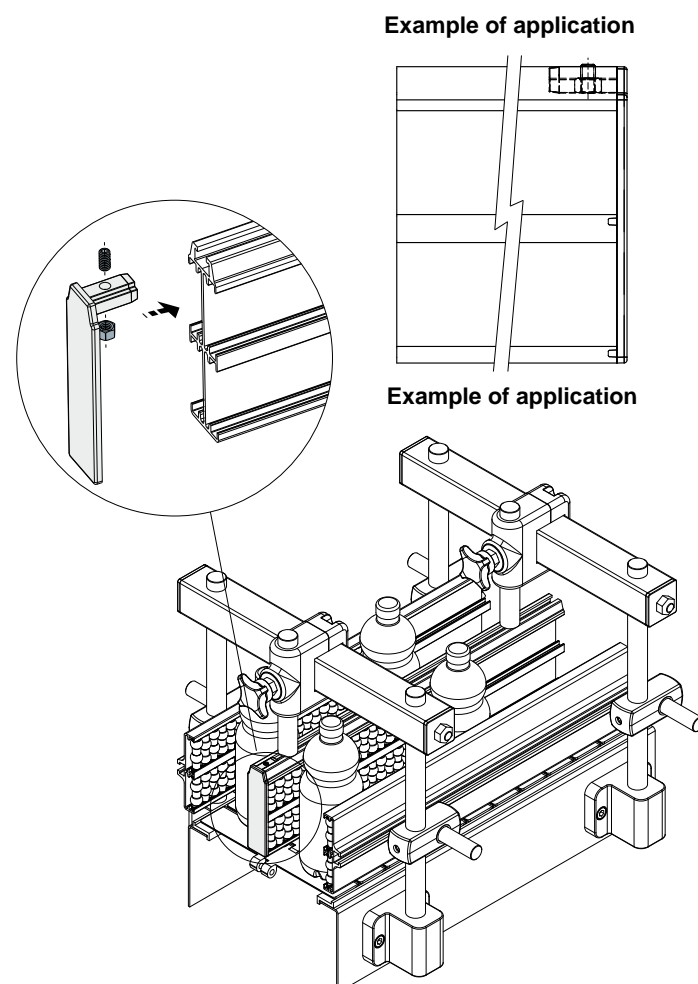
ON REQUEST:

- Assembling of: Nuts and grub screws.
- Box quantity: According to your request.

Closing cap

(for central guides, double type)

Part. **494**



Code
494 / 87015

MATERIALS: Cap in reinforced polyamide grey colour; nut and grub screw in stainless steel AISI 304.

FEATURES: To be used as a closure cap at the extremities of the central guides: Part.319, 476, 328, 479, 358.

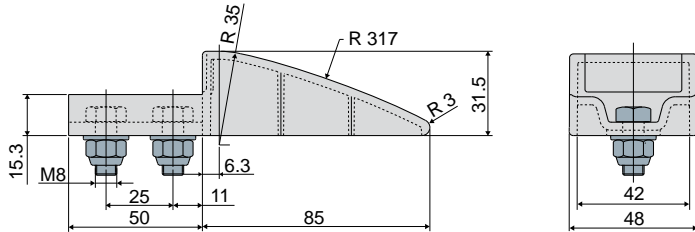
BOX QUANTITY: 24 pieces.

ON REQUEST:

- Assembling of: Nuts and grub screws.
- Box quantity: According to your request.

Product guides and accessories

Part. 340 Separation Block for roller side guide (single type)



Code	Material
340 / 83357	Polyethylene
340 / 85826	PA + auto-lubricating additive

MATERIALS: Separation block in polyethylene or in polyamide with auto-lubricating additive; bolts and nuts in stainless steel AISI 304.

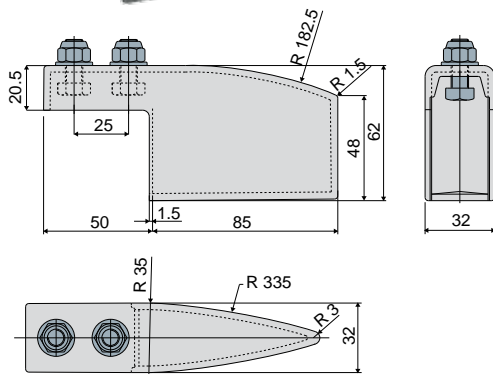
FEATURES: To be used at the end of the side guides (Part.306, 468, 325, 467, 355, 464), to help the arrival of the products. The version with auto-lubricating additive guarantees maximum smoothness of the product. Supplied complete with bolts and nuts.

BOX QUANTITY: 8 pieces.

ON REQUEST:

- Separation blocks: Other colours.
- Box quantity: According to your request.

Part. 341 Separation Block for roller central guide (single type)



Code	Material
341 / 83359	Polyethylene
341 / 85828	PA + auto-lubricating additive

MATERIALS: Separation block in polyethylene or in polyamide with auto-lubricating additive; bolts and nuts in stainless steel AISI 304.

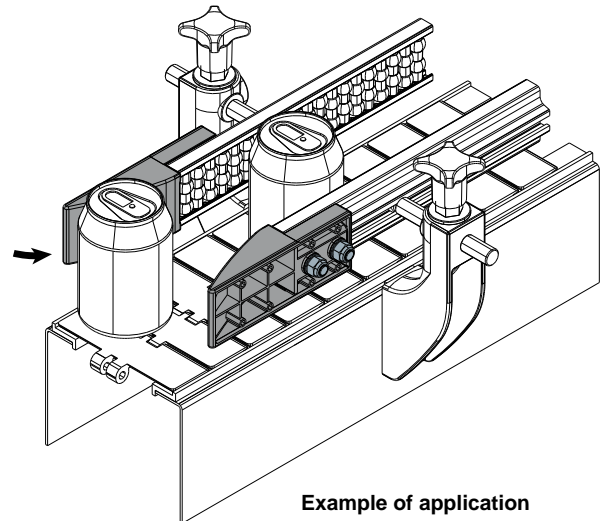
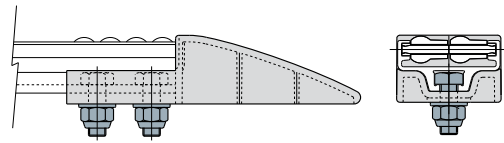
FEATURES: To be used at the end of the central guides (Part.308, 475, 327, 478, 357, 480), to help the arrival of the products. The version with auto-lubricating additive guarantees maximum smoothness of the product. Supplied complete with bolts and nuts.

BOX QUANTITY: 8 pieces.

ON REQUEST:

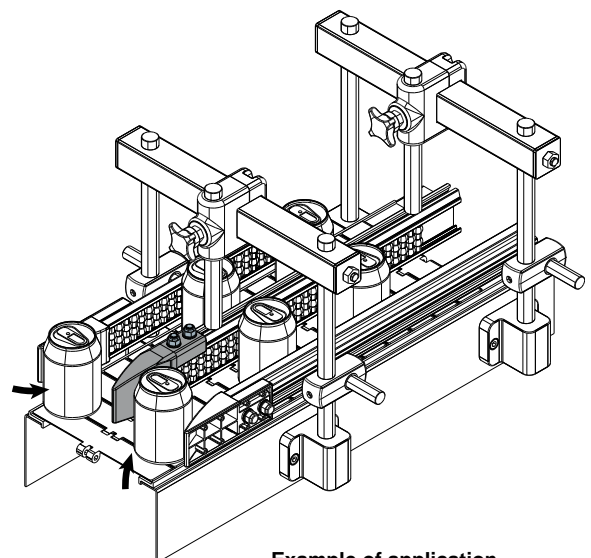
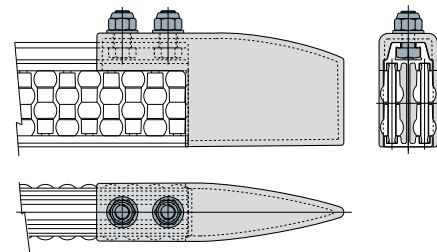
- Separation blocks: Other colours.
- Box quantity: According to your request.

Example of application



Example of application

Example of application



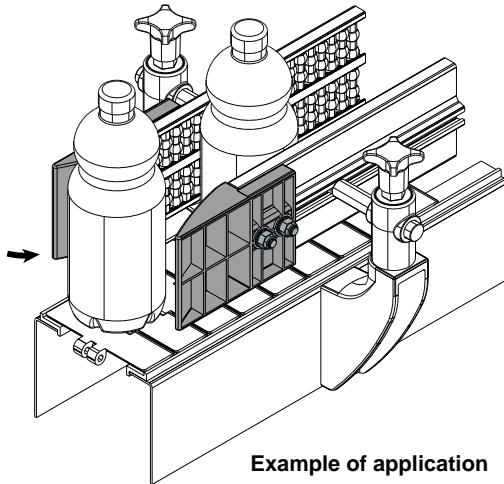
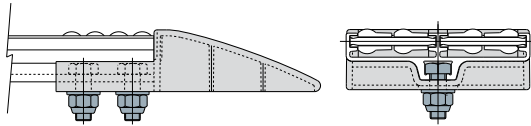
Example of application



Suitable for applications which require maximum smoothness.

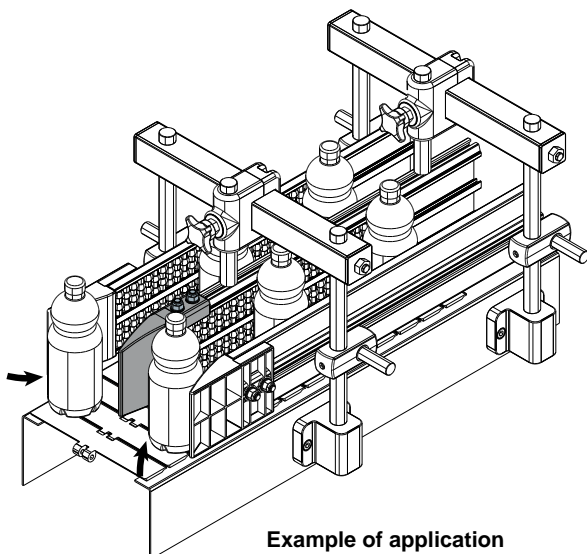
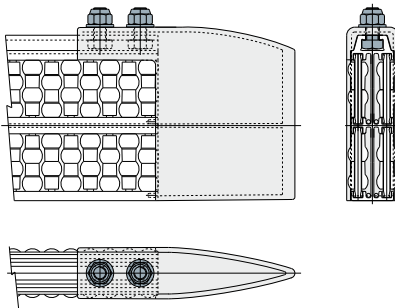
Product guides and accessories

Example of application



Example of application

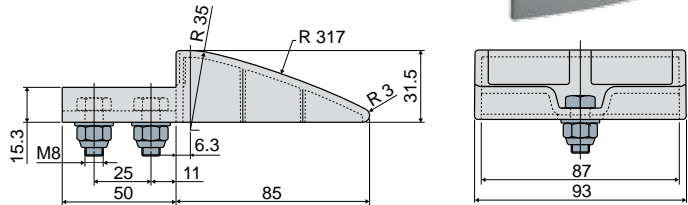
Example of application



Example of application

Separation Block for roller side guide (double type)

Part. **342**



Code	Material
342 / 83361	Polyethylene
342 / 85984	PA + auto-lubricating additive



MATERIALS: Separation block in polyethylene or in polyamide with auto-lubricating additive; bolts and nuts in stainless steel AISI 304.

FEATURES: To be used at the end of the side guides (Part.307, 474, 326, 477, 356), to help the arrival of the products. The version with auto-lubricating additive guarantees maximum smoothness of the product. Supplied complete with bolts and nuts.

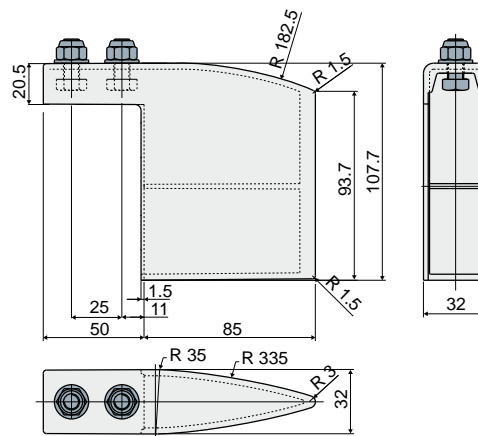
BOX QUANTITY: 8 pieces.

ON REQUEST:

- Separation blocks: Other colours.
- Box quantity: According to your request.

Separation Block for roller central guide (double type)

Part. **343**



Code	Material
343 / 83363	Polyethylene
343 / 85985	PA + auto-lubricating additive



MATERIALS: Separation block in polyethylene or in polyamide with auto-lubricating additive; bolts and nuts in stainless steel AISI 304.

FEATURES: To be used at the end of the central guides (Part.319, 476, 328, 479, 358), to help the arrival of the products. The version with auto-lubricating additive guarantees maximum smoothness of the product. Supplied complete with bolts and nuts.

BOX QUANTITY: 8 pieces.

ON REQUEST:

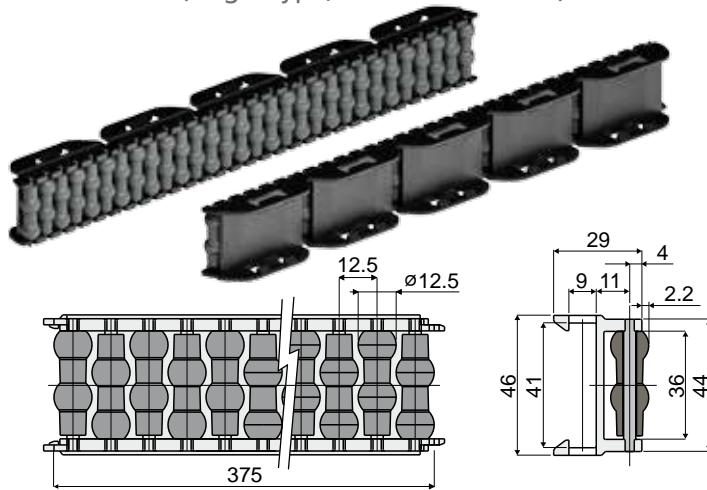
- Separation blocks: Other colours.
- Box quantity: According to your request.



Suitable for applications which require maximum smoothness.

Product guides and accessories

Part. 345 Roller side guide with pearls (single type, 375 mm modules)



Pins made of acetal	Pins made of stainless steel AISI 304
Code	Code
345 / 83380	345 / 86717

MATERIALS: Rollers in polyethylene grey colour; modules in acetal resin black colour; support pins in black acetal or in stainless steel AISI 304.

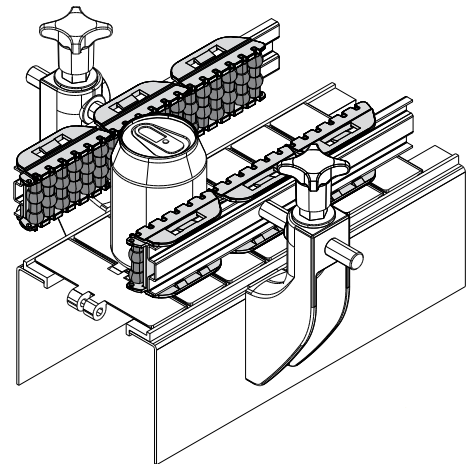
FEATURES: Supplied already assembled, in modules of 375 mm length, for 40x8 mm plate. Min. curvature radius: ext = 500 mm; int. = 350 mm.

BOX QUANTITY: 12 pieces.

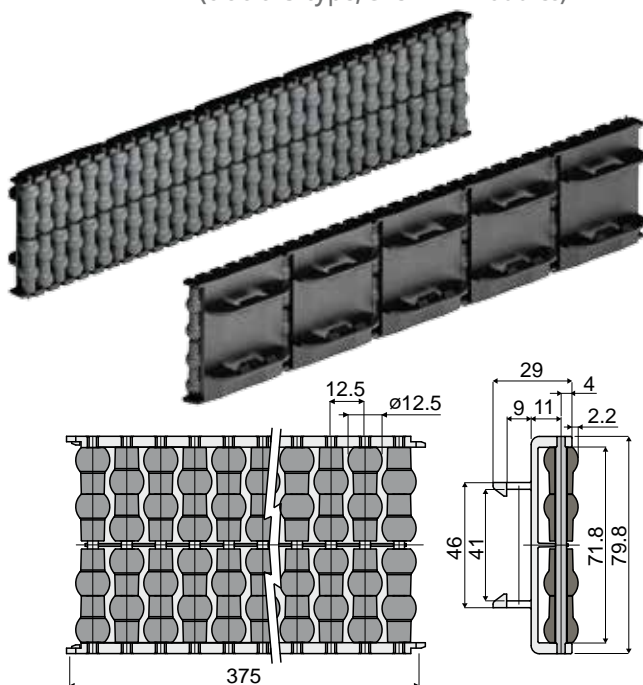
ON REQUEST:

- Module and rollers: Can be produced in other colours.
- Box quantity: According to your request.

Example of application



Part. 423 Roller side guide with pearls (double type, 375 mm modules)



Pins made of acetal	Pins made of stainless steel AISI 304
Code	Code
423 / 84818	423 / 85272

MATERIALS: Rollers in polyethylene grey colour; modules in acetal resin black colour; support pins in black acetal or in stainless steel AISI 304.

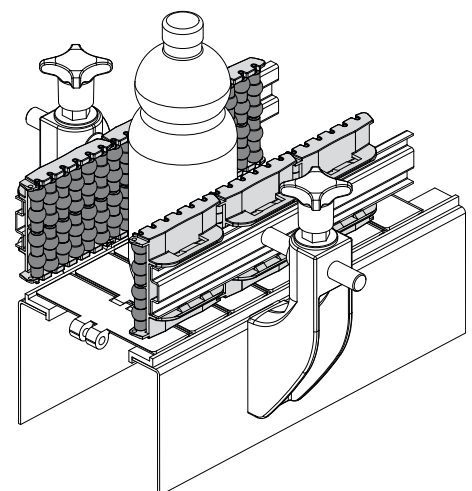
FEATURES: Supplied already assembled, in modules of 375 mm length, for 40x8 mm plate. Min. curvature radius: ext = 500 mm; int. = 350 mm.

BOX QUANTITY: 12 pieces.

ON REQUEST:

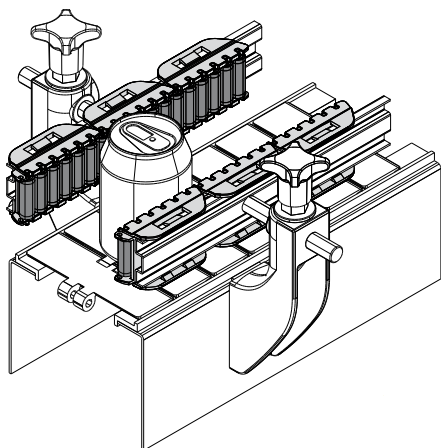
- Module and rollers: Can be produced in other colours.
- Box quantity: According to your request.

Example of application



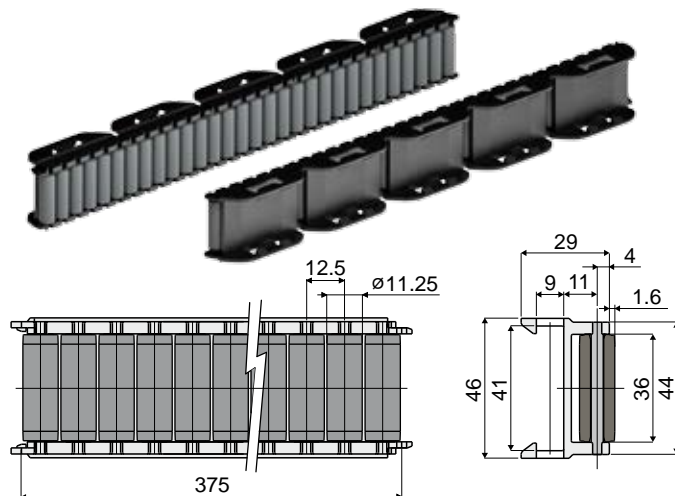
Product guides and accessories

Example of application



Roller side guide with cylinders (single type, 375 mm modules)

Part. **339**



Pins made of acetal	Pins made of stainless steel AISI 304
Code	Code
339 / 83319	339 / 86718

MATERIALS: Rollers in polyethylene grey colour; modules in acetal resin black colour; support pins in black acetal or in stainless steel AISI 304.

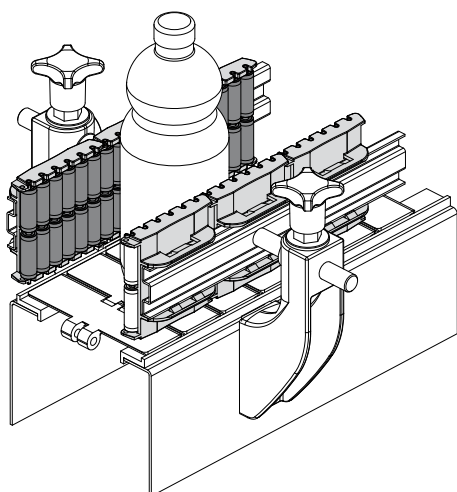
FEATURES: Supplied already assembled, in modules of 375 mm length, for 40x8 mm plate. Min. curvature radius: ext = 500 mm; int. = 350 mm.

BOX QUANTITY: 12 pieces.

ON REQUEST:

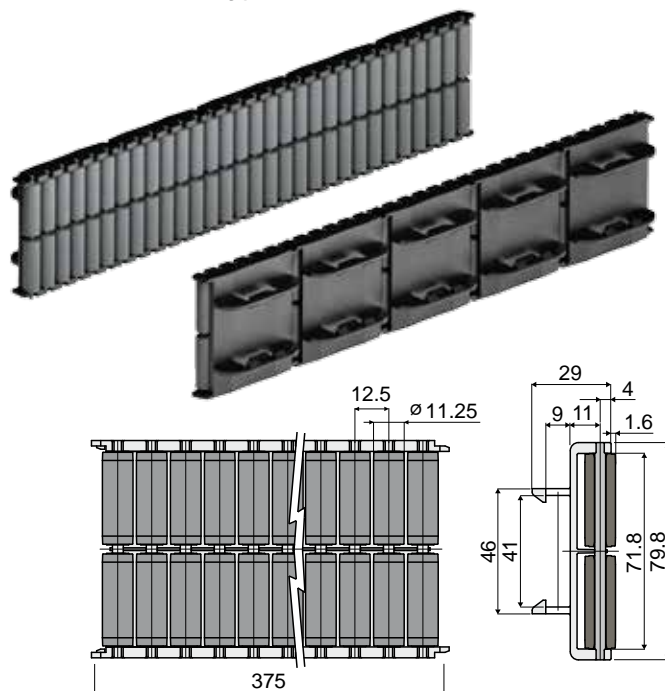
- Module and rollers: can be produced in other colours.
- Box quantity: According to your request.

Example of application



Roller side guide with cylinders (double type, 375 mm modules)

Part. **422**



Pins made of acetal	Pins made of stainless steel AISI 304
Code	Code
422 / 84817	422 / 85273

MATERIALS: Rollers in polyethylene grey colour; modules in acetal resin black colour; support pins in black acetal or in stainless steel AISI 304.

FEATURES: Supplied already assembled, in modules of 375 mm length, for 40x8 mm plate. Min. curvature radius: ext = 500 mm; int. = 350 mm.

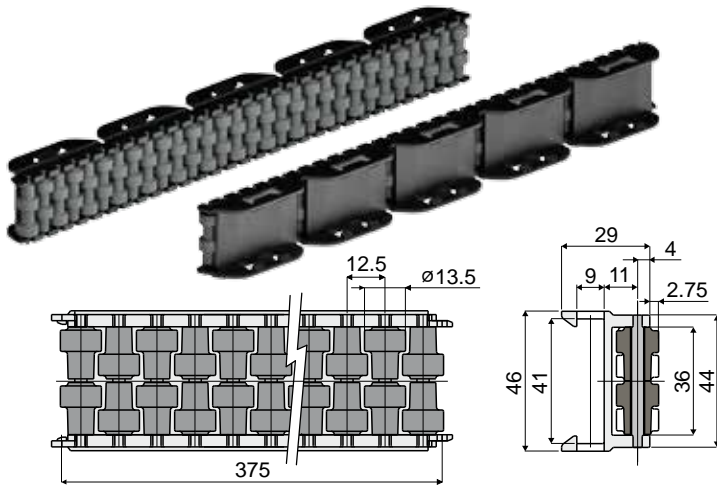
BOX QUANTITY: 12 pieces.

ON REQUEST:

- Module and rollers: Can be produced in other colours.
- Box quantity: According to your request.

Product guides and accessories

Part. 344 Roller side guide with round rollers (single type, 375 mm modules)



Pins made of acetal	Pins made of stainless steel AISI 304
Code	Code
344 / 83372	344 / 86719

MATERIALS: Rollers in polyethylene grey colour; modules in acetal resin black colour; support pins in black acetal or in stainless steel AISI 304.

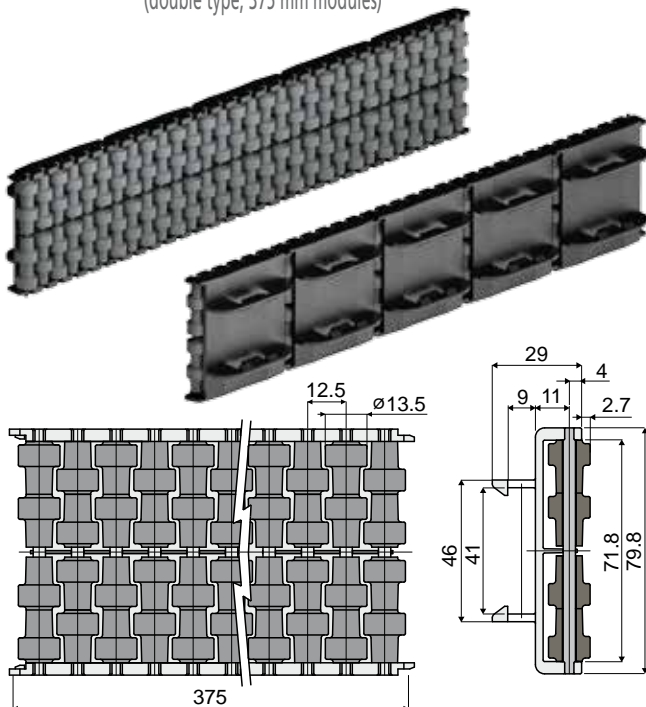
FEATURES: Supplied already assembled, in modules of 375 mm length, for 40x8 mm plate. Min. curvature radius: ext = 500 mm; int. = 350 mm.

BOX QUANTITY: 12 pieces.

ON REQUEST:

- Module and rollers: can be produced in other colours.
- Box quantity: According to your request.

Part. 421 Roller side guide with round rollers (double type, 375 mm modules)



Pins made of acetal	Pins made of stainless steel AISI 304
Code	Code
421 / 84816	421 / 85274

MATERIALS: Rollers in polyethylene grey colour; modules in acetal resin black colour; support pins in black acetal or in stainless steel AISI 304.

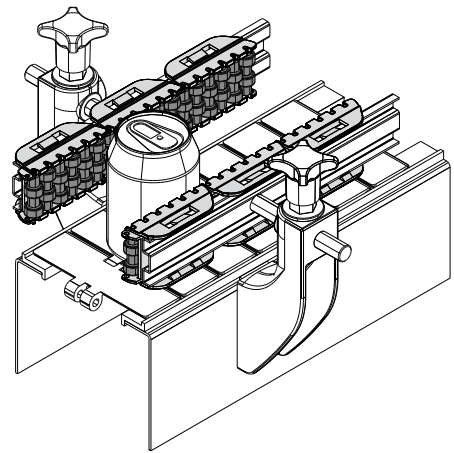
FEATURES: Supplied already assembled, in modules of 375 mm length, for 40x8 mm plate. Min. curvature radius: ext = 500 mm; int. = 350 mm.

BOX QUANTITY: 12 pieces.

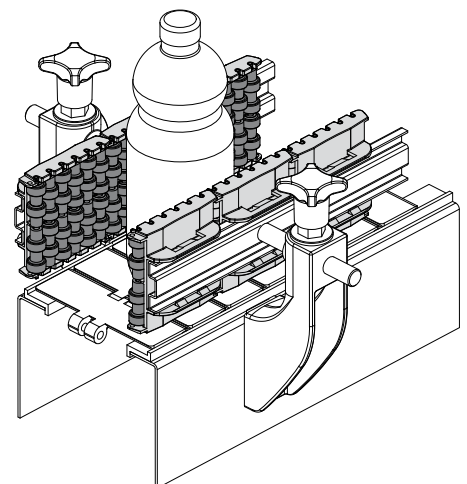
ON REQUEST:

- Module and rollers: Can be produced in other colours.
- Box quantity: According to your request.

Example of application

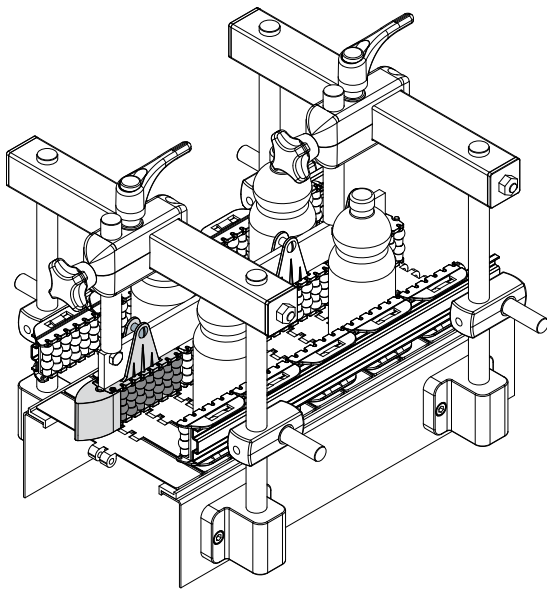
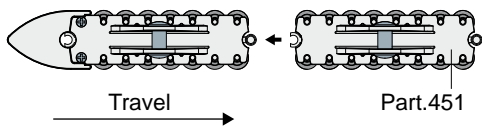


Example of application



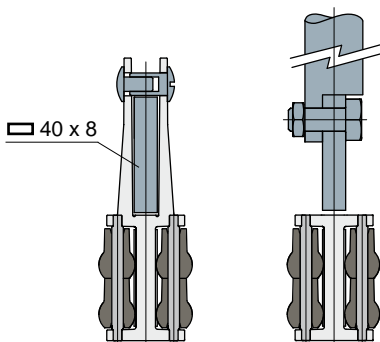
Product guides and accessories

Example of application

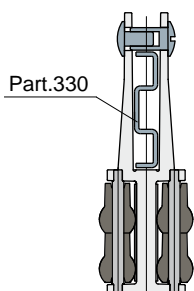


Example of application

Fixing with plate

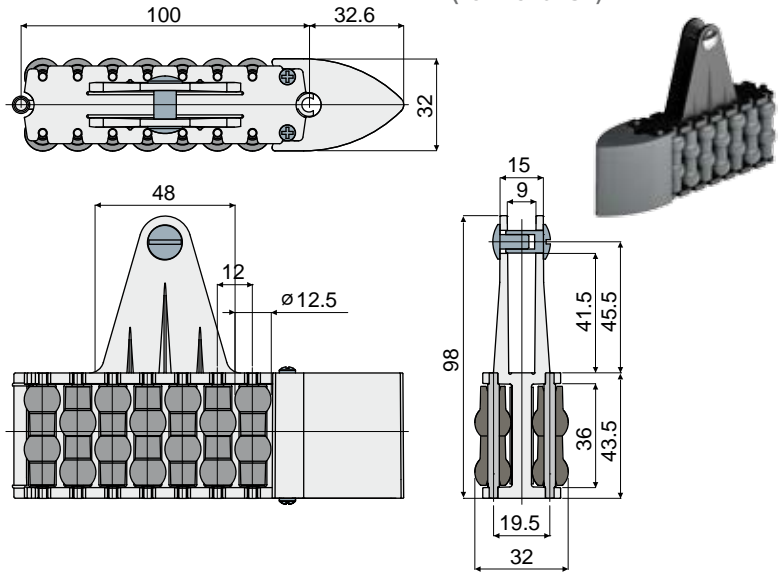


Fixing with metal profile



Separation Block with pearls (for Part.451)

Part. **448**



Pins made of acetal	Pins made of stainless steel AISI 304
Code	Code
448 / 85374	448 / 85459

MATERIALS: Rollers in polyethylene grey colour; module in acetal resin black colour; shoe in acetal resin grey colour; support pins in black acetal or in stainless steel AISI 304.

FEATURES: Supplied already assembled (1 module + 1 shoe); for 40x8 mm plate.

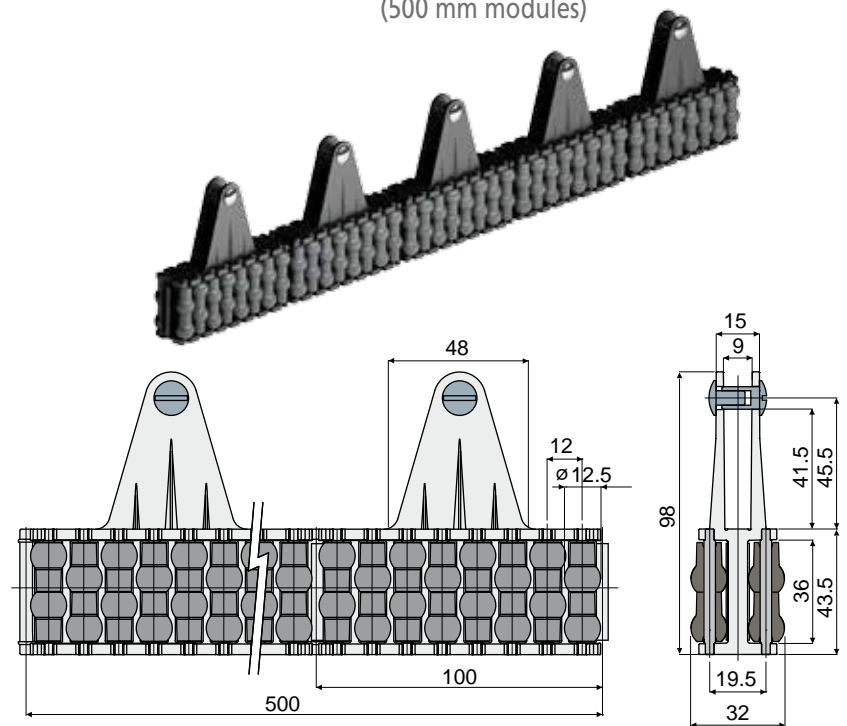
BOX QUANTITY: 2 pieces.

ON REQUEST:

- Module and rollers: Can be produced in other colours.
- Box quantity: According to your request.

Roller central guide with pearls (500 mm modules)

Part. **451**



Pins made of acetal	Pins made of stainless steel AISI 304
Code	Code
451 / 85377	451 / 85467

MATERIALS: Rollers in polyethylene grey colour; modules in acetal resin black colour; support pins in black acetal or in stainless steel AISI 304.

FEATURES: Supplied already assembled, in modules of 500 mm length, for 40x8 mm plate. Min. curvature radius: 335 mm.

BOX QUANTITY: 12 pieces.

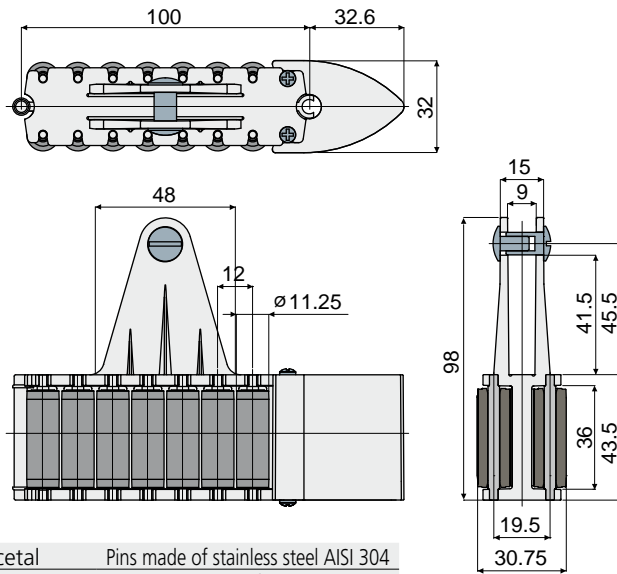
ON REQUEST:

- Module and rollers: Can be produced in other
- Box quantity: According to your request.

Product guides and accessories

Part. 449

Separation Block with cylinders (for Part.452)



Pins made of acetal	Pins made of stainless steel AISI 304
Code	Code
449 / 85375	449 / 85460

MATERIALS: Rollers in polyethylene grey colour; module in acetal resin black colour; shoe in acetal resin grey colour; support pins in black acetal or in stainless steel AISI 304.

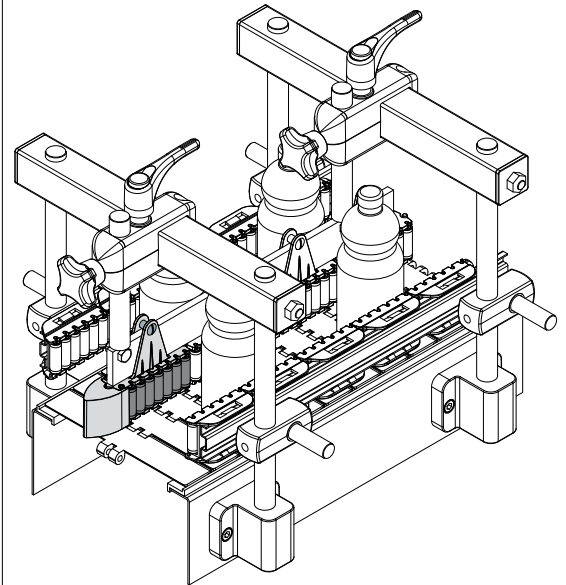
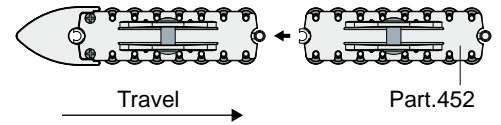
FEATURES: Supplied already assembled (1 module + 1 shoe); for 40x8 mm plate.

BOX QUANTITY: 2 pieces.

ON REQUEST:

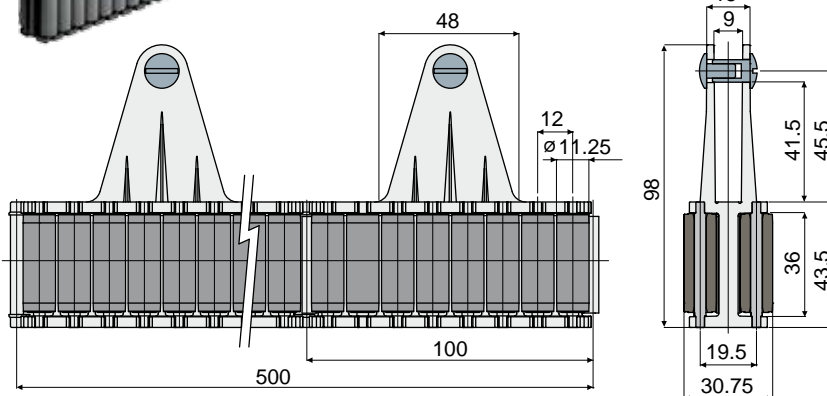
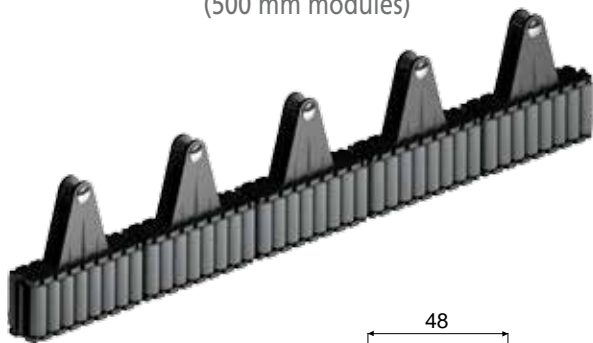
- Module and rollers: Can be produced in other colours.
- Box quantity: According to your request.

Example of application



Part. 452

Roller central guide with cylinders (500 mm modules)



Pins made of acetal	Pins made of stainless steel AISI 304
Code	Code
452 / 85378	452 / 85468

MATERIALS: Rollers in polyethylene grey colour; modules in acetal resin black colour; support pins in black acetal or in stainless steel AISI 304.

FEATURES: Supplied already assembled, in modules of 500 mm length, for 40x8 mm plate. Min. curvature radius: 335 mm.

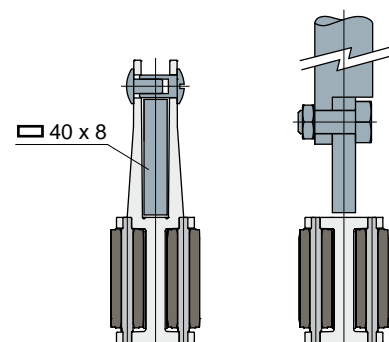
BOX QUANTITY: 12 pieces.

ON REQUEST:

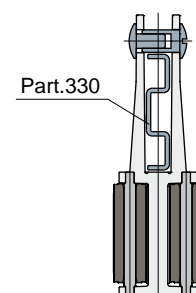
- Module and rollers: Can be produced in other colours.
- Box quantity: According to your request.

Example of application

Fixing with plate

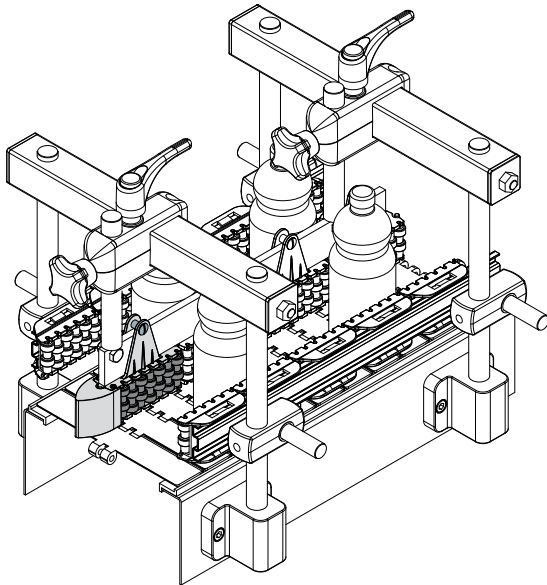
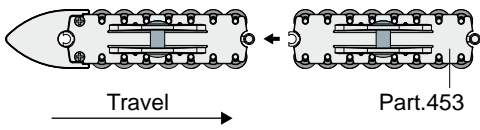


Fixing with metal profile



Product guides and accessories

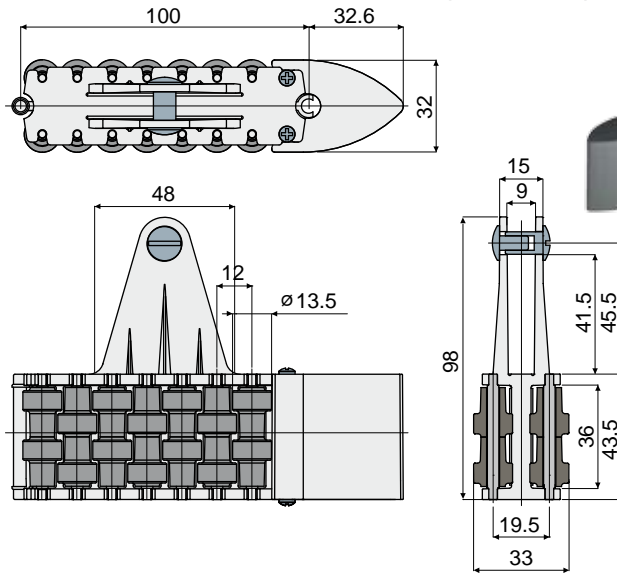
Example of application



Example of application

Separation Block with round rollers (for Part.453)

Part. **450**



Pins made of acetal	Pins made of stainless steel AISI 304
Code	Code
450 / 85376	450 / 85461

MATERIALS: Rollers in polyethylene grey colour; module in acetal resin black colour; shoe in acetal resin grey colour; support pins in black acetal or in stainless steel AISI 304.

FEATURES: Supplied already assembled (1 module + 1 shoe); for 40x8 mm plate.

BOX QUANTITY: 2 pieces.

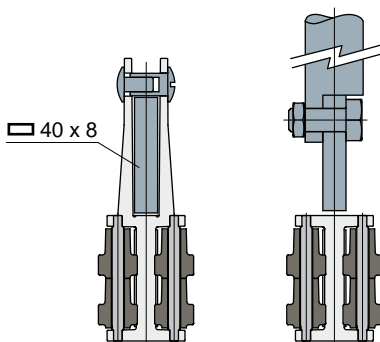
ON REQUEST:

- Module and rollers: Can be produced in other colours.
- Box quantity: According to your request.

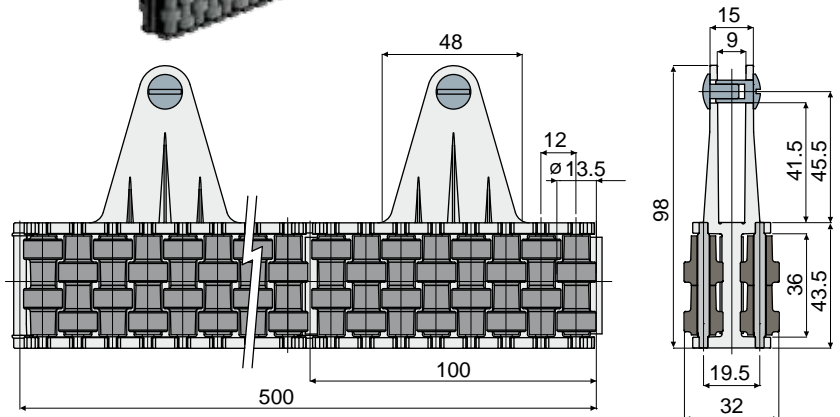
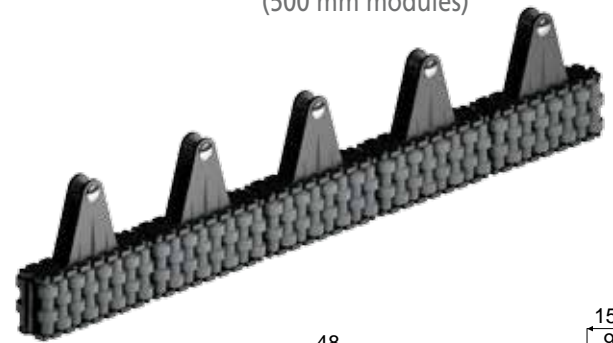
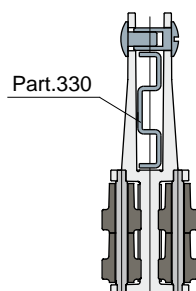
Roller central guide with round rollers (500 mm modules)

Part. **453**

Fixing with plate



Fixing with metal profile



Pins made of acetal	Pins made of stainless steel AISI 304
Code	Code
453 / 85379	453 / 85469

MATERIALS: Rollers in polyethylene grey colour; modules in acetal resin black colour; support pins in black acetal or in stainless steel AISI 304.

FEATURES: Supplied already assembled, in modules of 500 mm length, for 40x8 mm plate. Min. curvature radius: 335 mm.

BOX QUANTITY: 12 pieces.

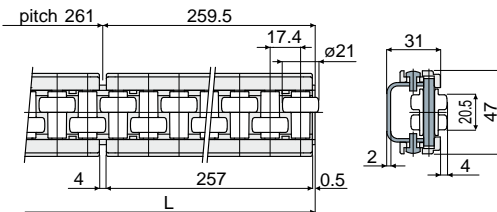
ON REQUEST:

- Module and rollers: Can be produced in other colours.
- Box quantity: According to your request.

Product guides and accessories

Part. 502

Roller side guide with round rollers (single type, curvilinear)



L (mm)	Metal profile in zinc plated steel Code	Metal profile in stainless steel AISI 304 Code
3129	502 / 86998	502 / 86999

MATERIALS: Rollers in acetal white colour; modules in reinforced polyamide black colour; support pins in stainless steel; metal profile in zinc plated steel or stainless steel AISI 304.

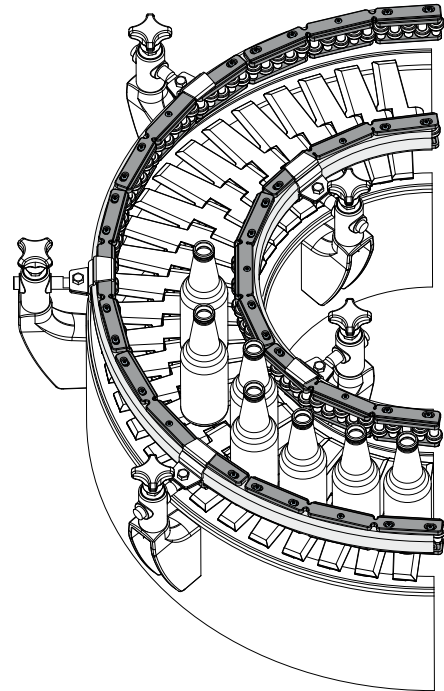
FEATURES: Supplied already assembled. To be used with the guide rail clamp Part.521. Min. curvature radius: ext = 800 mm; int. = 500 mm.

BOX QUANTITY: 2 pieces.

ON REQUEST:

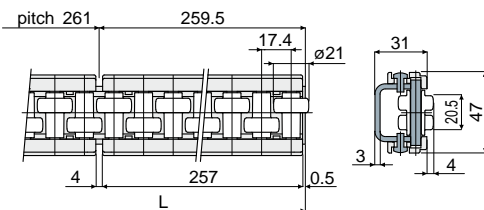
- Module and rollers: can be produced in other colours.

Example of application



Part. 501

Roller side guide with round rollers (single type, rectilinear)



L (mm)	Metal profile in zinc plated steel Code	Metal profile in stainless steel AISI 304 Code
1041	501 / 86984	501 / 86985
2085	501 / 86982	501 / 86983
3129	501 / 86980	501 / 86981

MATERIALS: Rollers in acetal white colour; modules in reinforced polyamide black colour; support pins in stainless steel; metal profile in zinc plated steel or stainless steel AISI 304.

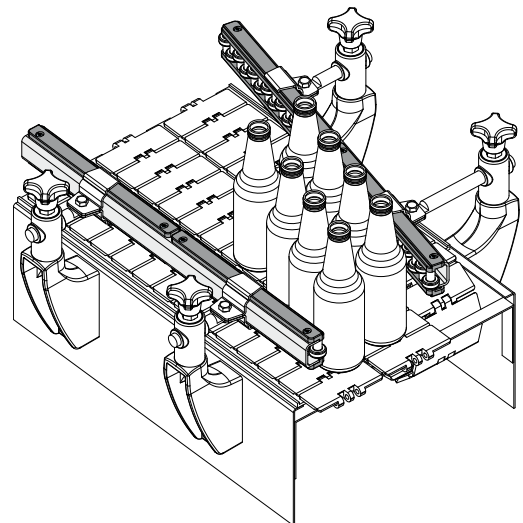
FEATURES: Supplied already assembled. To be used with the guide rail clamp Part.521.

BOX QUANTITY: 2 pieces.

ON REQUEST:

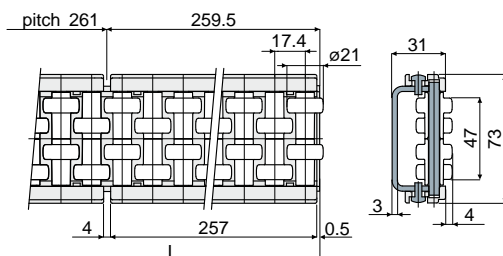
- Module and rollers: can be produced in other colours.

Example of application



Part. 501

Roller side guide with round rollers (double type, rectilinear)



L (mm)	Metal profile in zinc plated steel Code	Metal profile in stainless steel AISI 304 Code
1041	501 / 86990	501 / 86991
2085	501 / 86988	501 / 86989
3129	501 / 86986	501 / 86987

MATERIALS: Rollers in acetal white colour; modules in reinforced polyamide black colour; support pins in stainless steel; metal profile in zinc plated steel or stainless steel AISI 304.

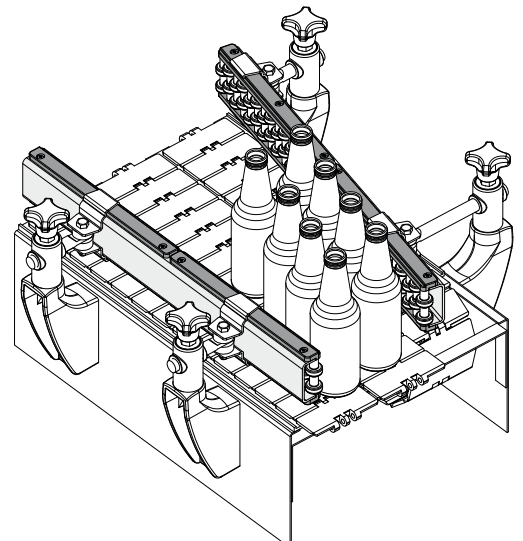
FEATURES: Supplied already assembled. To be used with the guide rail clamp Part.521.

BOX QUANTITY: 2 pieces.

ON REQUEST:

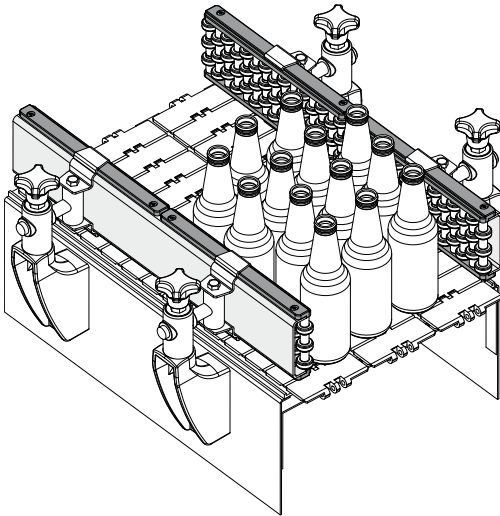
- Module and rollers: can be produced in other colours.

Example of application



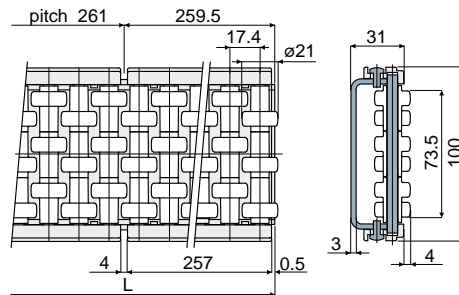
Product guides and accessories

Example of application



Roller side guide with round rollers (triple type, rectilinear)

Part. **501**



L (mm)	Metal profile in zinc plated steel Code	Metal profile in stainless steel AISI 304 Code
1041	501 / 86996	501 / 86997
2085	501 / 86994	501 / 86995
3129	501 / 86992	501 / 86993

MATERIALS: Rollers in acetal white colour; modules in reinforced polyamide black colour; support pins in stainless steel; metal profile in zinc plated steel or stainless steel AISI 304.

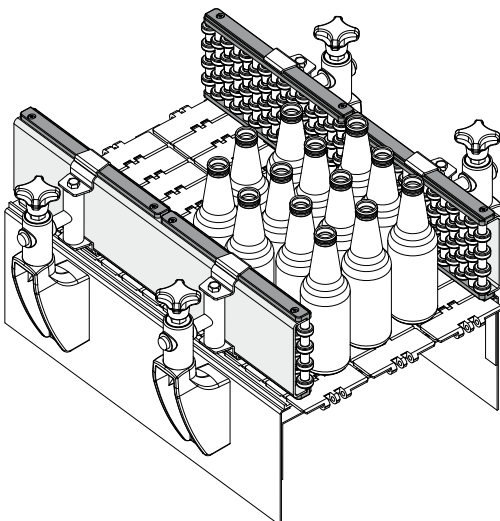
FEATURES: Supplied already assembled. To be used with the guide rail clamp Part.521.

BOX QUANTITY: 2 pieces.

ON REQUEST:

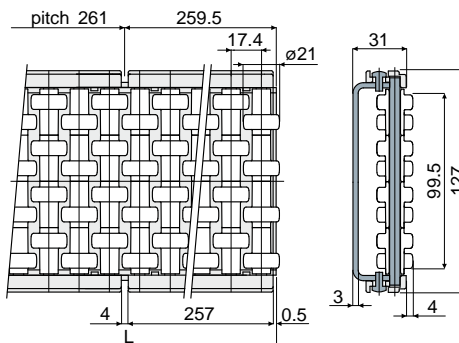
- Module and rollers: can be produced in other colours.

Example of application



Roller side guide with round rollers (quadruple type, rectilinear)

Part. **501**



L (mm)	Metal profile in zinc plated steel Code	Metal profile in stainless steel AISI 304 Code
1041	501 / 87828	501 / 87827
2085	501 / 87830	501 / 87829
3129	501 / 87414	501 / 87415

MATERIALS: Rollers in acetal white colour; modules in reinforced polyamide black colour; support pins in stainless steel; metal profile in zinc plated steel or stainless steel AISI 304.

FEATURES: Supplied already assembled. To be used with the guide rail clamp Part.521.

BOX QUANTITY: 2 pieces.

ON REQUEST:

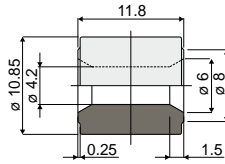
- Module and rollers: can be produced in other colours.

Product guides and accessories

Part. 388

Roller for transfer plates

(for Part. 257, 258, 259, 260, 261, 262, 416, 417, 430, 431, 432, 433)



Code

388 / 84131

MATERIALS: Roller made of polyethylene, grey colour.

BOX QUANTITY: 480 pieces.

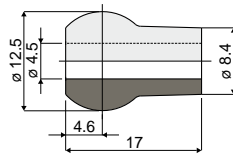
ON REQUEST:

- Rollers: In different colours.
- Box quantity: According to your request.

Part. 393

Roller for roller guides

(for Part. 306, 307, 308, 319, 345, 423, 448, 451)



Code

393 / 84182

MATERIALS: Roller made of polyethylene, grey colour.

BOX QUANTITY: 480 pieces.

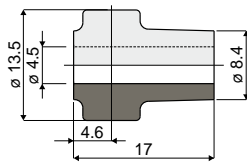
ON REQUEST:

- Rollers: In different colours.
- Box quantity: According to your request.

Part. 394

Roller for roller guides

(for Part. 344, 355, 356, 357, 358, 421, 450, 453)



Code

394 / 84183

MATERIALS: Roller made of polyethylene, grey colour.

BOX QUANTITY: 480 pieces.

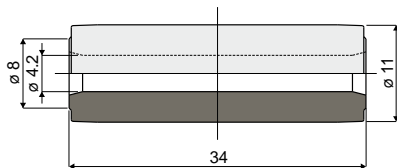
ON REQUEST:

- Rollers: In different colours.
- Box quantity: According to your request.

Part. 395

Roller for roller guides

(for Part. 325, 326, 327, 328, 339, 422, 449, 452)



Code

395 / 84185

MATERIALS: Roller made of polyethylene, grey colour.

BOX QUANTITY: 480 pieces.

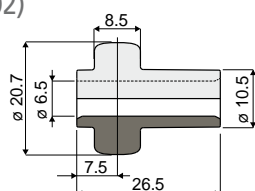
ON REQUEST:

- Rollers: In different colours.
- Box quantity: According to your request.

Part. 500

Roller for roller guides

(for Part. 501, 502)



Code

500 / 86215

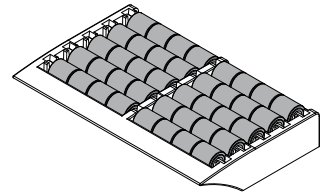
MATERIALS: Roller made of acetal, white colour.

BOX QUANTITY: 480 pieces.

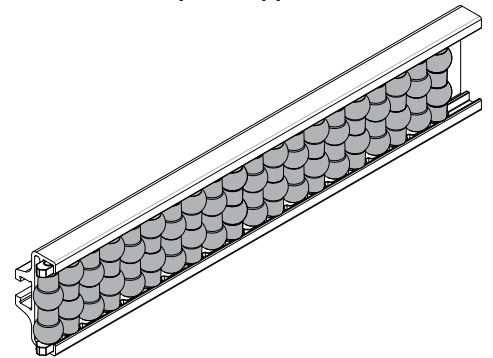
ON REQUEST:

- Rollers: In different colours.
- Box quantity: According to your request.

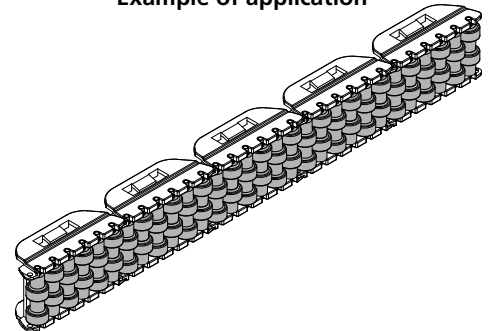
Example of application



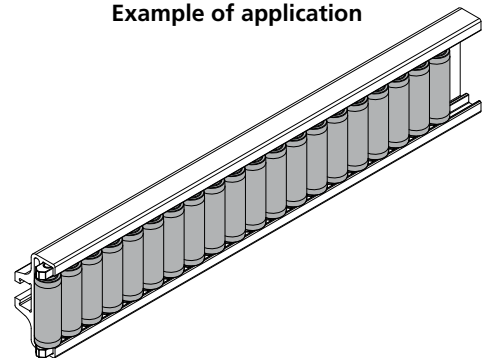
Example of application



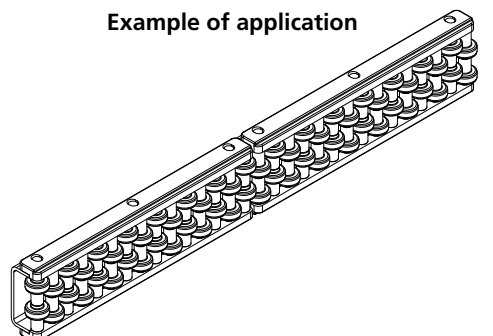
Example of application



Example of application



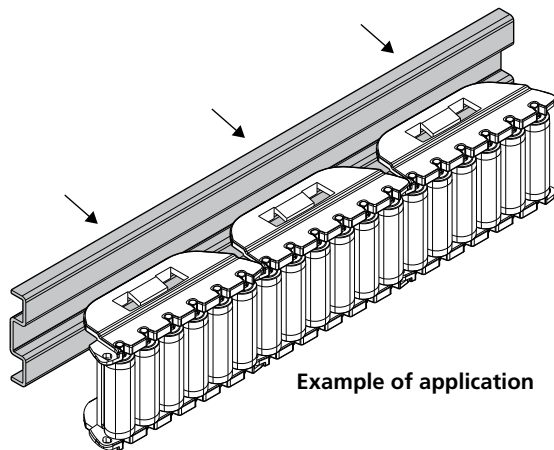
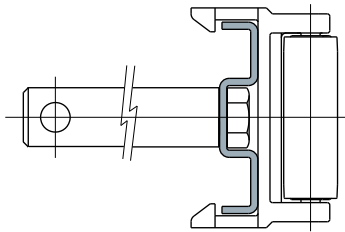
Example of application



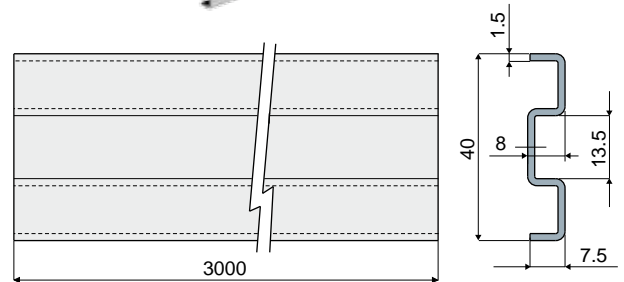
Product guides and accessories

Profiles for side guides Part. **330**

Example of application



Example of application



Stainless steel AISI 304	Stainless steel AISI 430
Code	Code
330 / 83089	330 / 83021

MATERIALS: Profiles in stainless steel AISI 430 or AISI 304.

FEATURES: Supplied in bars of 3 meters length. Min. curvature radius: 500 mm.

To be used with side guide Part.345, 423, 339, 422, 344, 421.

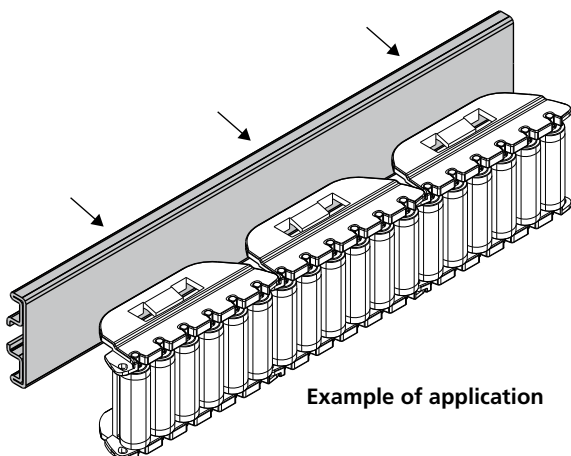
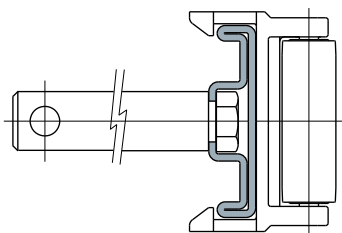
BOX QUANTITY: 2 bars of 3 meters (total 6 meters).

ON REQUEST:

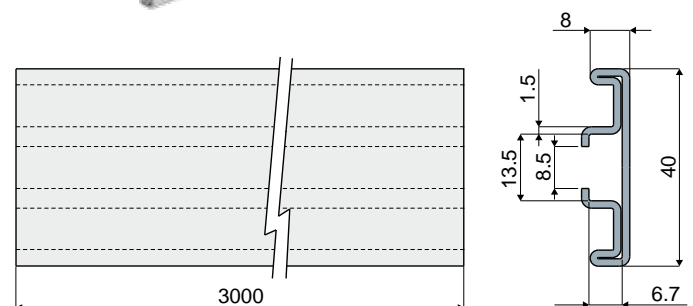
- Box quantity: According to your request.

Profile for side guides Part. **375**

Example of application



Example of application



Code
375 / 83890

MATERIALS: Profiles in stainless steel AISI 304.

FEATURES: Supplied in lengths of 3 meters. To be used with side guide Part.345, 423, 339, 422, 344, 421.

BOX QUANTITY: 2 lengths of 3 meters each (total 6 meters).

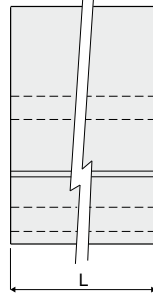
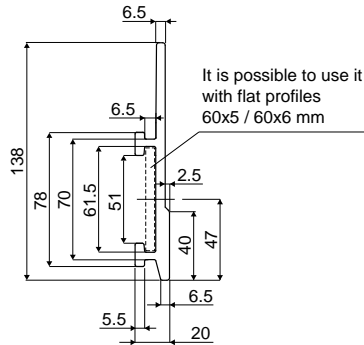
ON REQUEST:

- Box quantity: According to your request.

Product guides and accessories

Part. 426

Profile
(for the product side guide)



Code	Colour	L
426 / 84994	Black	3 Mt.
426 / 84995	Black	6 Mt.
426 / 84996	Blue Ral 5005	3 Mt.
426 / 84997	Blue Ral 5005	6 Mt.

MATERIALS: Profile in HMWPE black or blue Ral 5005 colour.

FEATURES: Supplied in lengths of 3 or 6 Mt. Min. curvature radius: 200 mm. To be assembled with clamps Part. 427, 434.

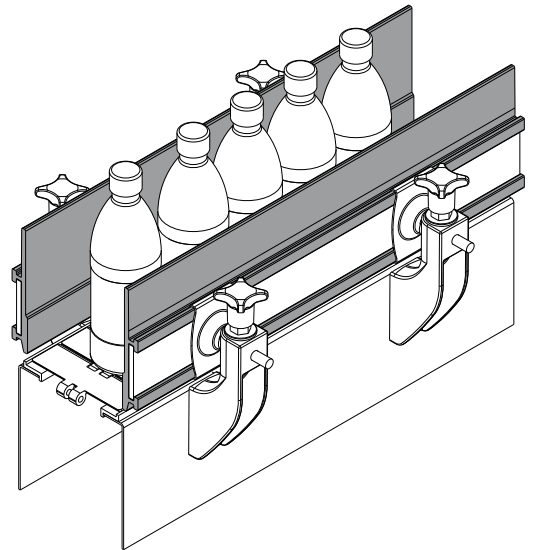
BOX QUANTITY:

- 3 Mt. lengths version: This item is sold in Mt. - Min. 6 Mt. (2 lengths);
- 6 Mt. lengths version: This item is sold in Mt. - Min. 12 Mt. (2 lengths).

ON REQUEST:

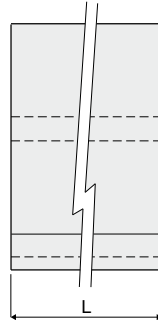
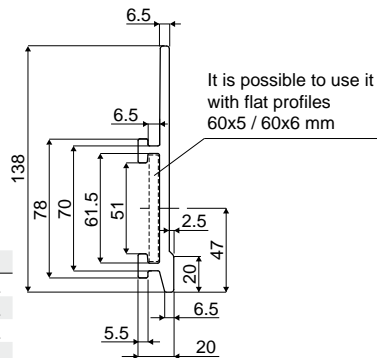
- Profiles: In different colours and sizes.
- Box quantity: According to your request.

Example of application



Part. 425

Profile
(for the product side guide)



Code	Colour	L
425 / 84998	Black	3 Mt.
425 / 84999	Black	6 Mt.
425 / 85000	Blue RAL 5005	3 Mt.
425 / 85001	Blue RAL 5005	6 Mt.

MATERIALS: Profile in HMWPE black or blue Ral 5005 colour.

FEATURES: Supplied in lengths of 3 or 6 Mt. Min. curvature radius: 200 mm. To be assembled with clamps Part. 427, 434.

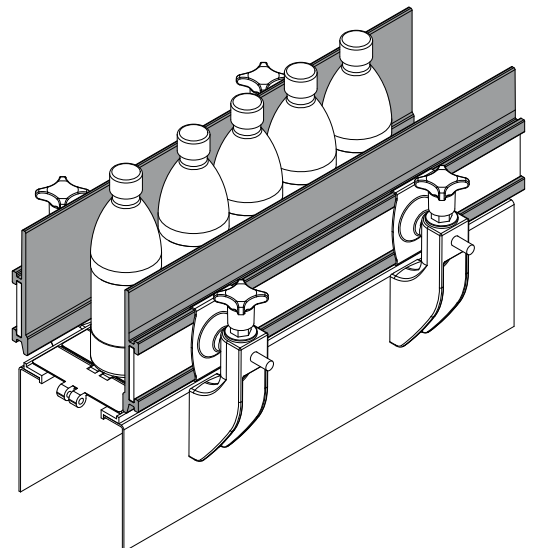
BOX QUANTITY:

- 3 Mt. lengths version: This item is sold in Mt. - Min. 6 Mt. (2 lengths);
- 6 Mt. lengths version: This item is sold in Mt. - Min. 12 Mt. (2 lengths).

ON REQUEST:

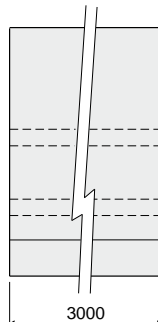
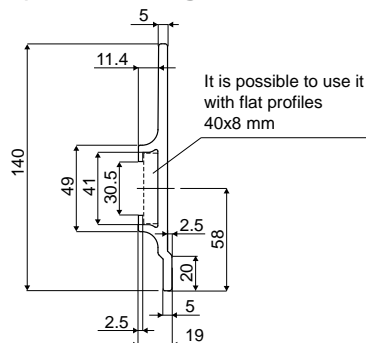
- Profiles: In different colours and sizes.
- Box quantity: According to your request.

Example of application



Part. 536

Profile
(for the product side guide)



Code
536 / 88699

MATERIALS: Profile in HMWPE black colour.

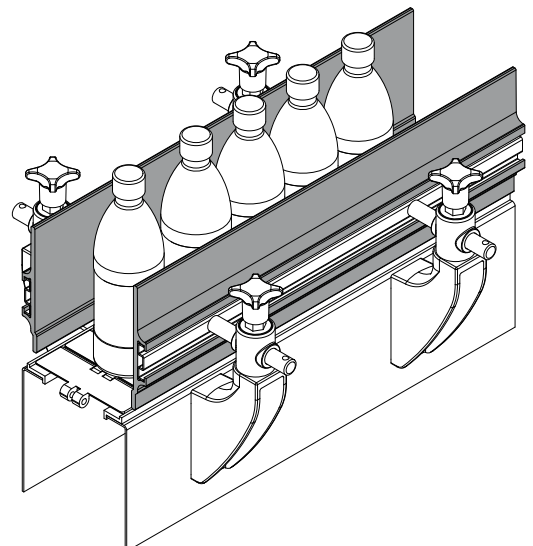
FEATURES: Supplied in lengths of 3 Mt. To be assembled with profiles Part. 330, 375.

BOX QUANTITY: This item is sold in Mt. - min. 6 Mt (2 pieces)

ON REQUEST:

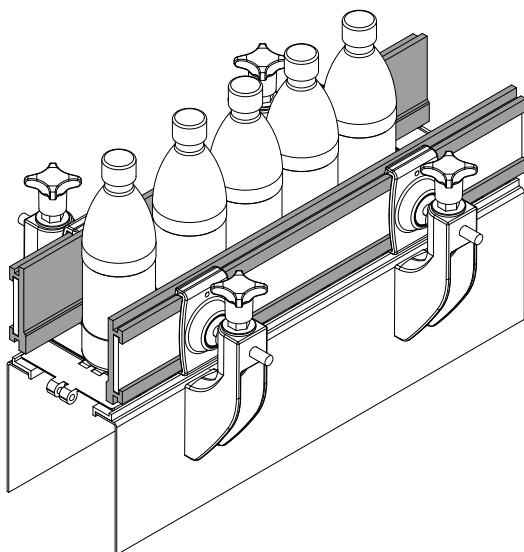
- Profiles: In different colours and sizes.
- Box quantity: According to your request.

Example of application

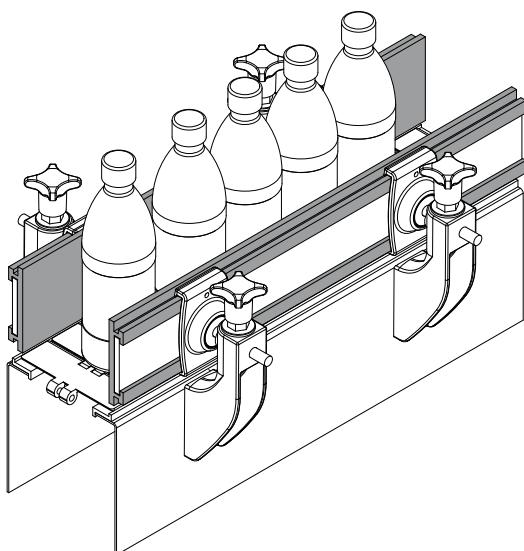


Product guides and accessories

Example of application

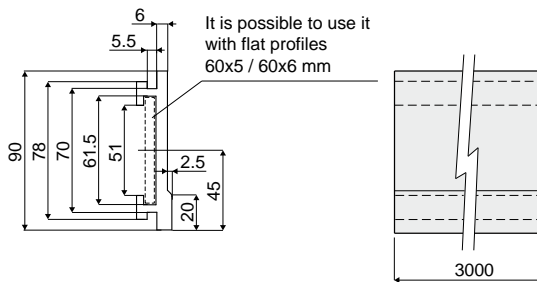


Example of application



Profile (for the product side guide)

Part. **515**



Code
515 / 87156

MATERIALS: Profile in HMWPE black colour.

FEATURES: Supplied in lengths of 3 Mt. Min. curvature radius: 200 mm. To be assembled with clamps Part. 427, 434.

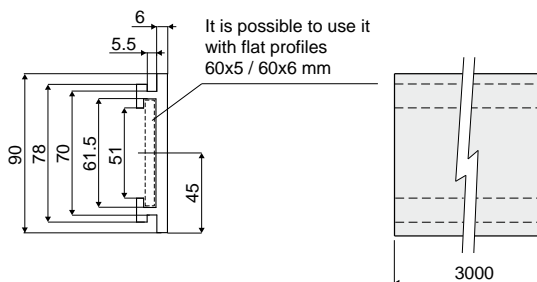
BOX QUANTITY: This item is sold in Mt. - min. 6 Mt (2 pieces)

ON REQUEST:

- Profiles: In different colours and sizes.
- Box quantity: According to your request.

Profile (for the product side guide)

Part. **534**



Code
534 / 88678

MATERIALS: Profile in HMWPE black colour.

FEATURES: Supplied in lengths of 3 Mt. To be assembled with clamps Part. 427, 434.

BOX QUANTITY: This item is sold in Mt. - min. 6 Mt (2 pieces)

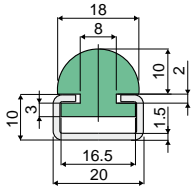
ON REQUEST:

- Profiles: In different colours and sizes.
- Box quantity: According to your request.

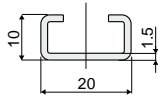
NEW

Product guides and accessories

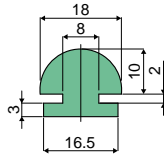
Part. **373** Guide rail (round) (with metal profile)



With profile and guide



Only profile



Only guide

Length	With profile and guide Code
3 Mt.	373 / 83733
6 Mt.	373 / 83735

Length	Only profile Code
3 Mt.	373 / 84303

Length	Only guide Code
3 Mt.	373 / 83882

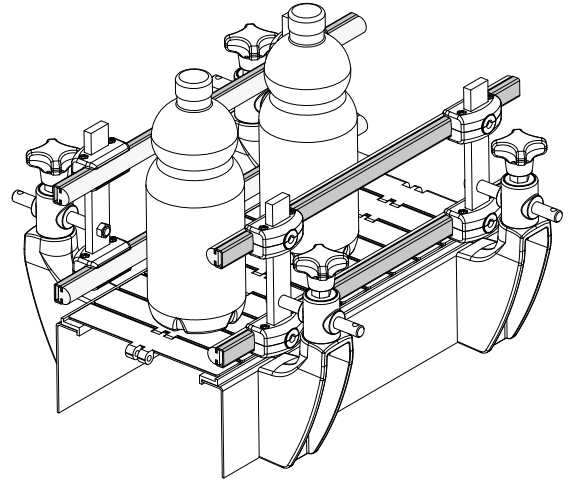
MATERIALS: Extruded HMWPE green colour, metal profile in stainless steel AISI 304.

FEATURES: Min. curvature radius: 145 mm.

BOX QUANTITY:

- 3 Mt. lengths version: This item is sold in Mt. - Min. 6 Mt. (2 lengths);
- 6 Mt. lengths version: This item is sold in Mt. - Min. 12 Mt. (2 lengths).

Example of application

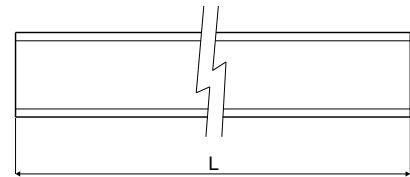
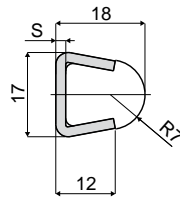
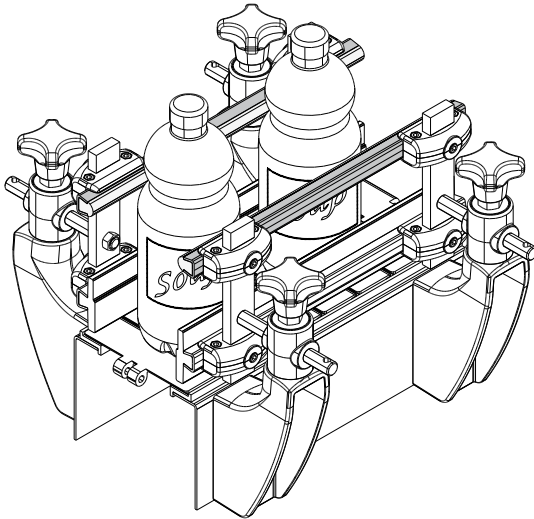


Product guides and accessories

Guide rail (round) (with metal profile)

Part. **354**

Example of application



Code	Colour	S	L
354 / 84198	Polyethylene natural	1,5	6 Mt.
354 / 84199	Polyethylene natural	1,5	3 Mt.
354 / 83442	Polyethylene natural	2	6 Mt.
354 / 83626	Polyethylene natural	2	3 Mt.
354 / 85484	Blue RAL 5005	1,5	6 Mt.
354 / 86726	Blue RAL 5005	1,5	3 Mt.
354 / 85488	Blue RAL 5005	2	6 Mt.
354 / 85486	Blue RAL 5005	2	3 Mt.

MATERIALS: Plastic profile in polyethylene natural or blue Ral 5005 colour; metal profile in stainless steel AISI 304.

FEATURES: Supplied already assembled in lengths of 3 or 6 meters.
Min. curvature radius: 145 mm.

BOX QUANTITY:

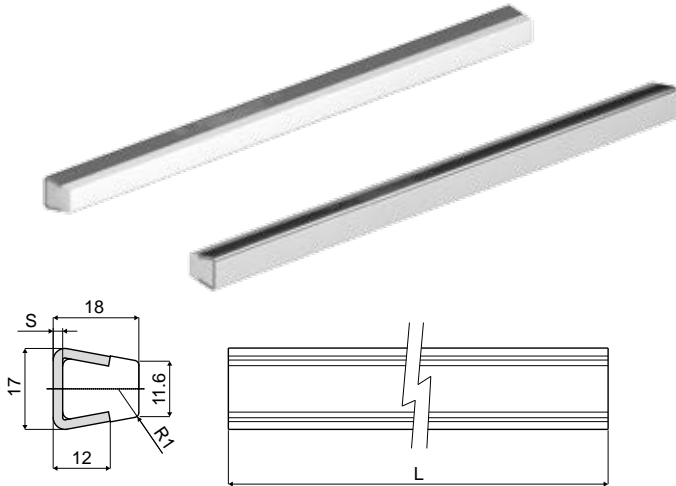
- 3 Mt. lengths version: This item is sold in Mt. - Min. 6 Mt. (2 lengths);
- 6 Mt. lengths version: This item is sold in Mt. - Min. 12 Mt. (2 lengths).

ON REQUEST:

- Box quantity: According to your request.

Product guides and accessories

Part. 418 Product guide rail (with metal profile)



Code	S	L
418 / 84800	1,5	6 Mt.
418 / 84802	1,5	3 Mt.
418 / 84801	2	6 Mt.
418 / 84803	2	3 Mt.

MATERIALS: Guide profile in natural polyethylene; metal profile in stainless steel AISI 304.

FEATURES: Supplied in lengths of 3 or 6 Mt. Min. curvature radius: 145 mm.

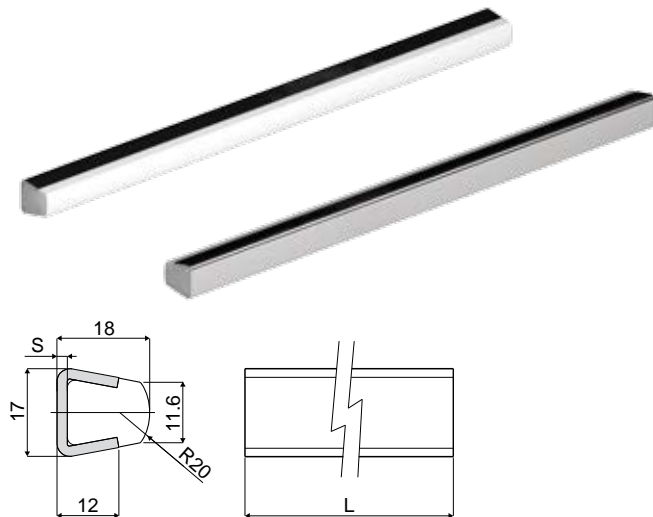
BOX QUANTITY:

- 3 Mt. lengths version: This item is sold in Mt. - Min. 6 Mt. (2 lengths);
- 6 Mt. lengths version: This item is sold in Mt. - Min. 12 Mt. (2 lengths).

ON REQUEST:

- Box quantity: According to your request.

Part. 419 Product guide rail (with metal profile)



Code	S	L
419 / 84804	1,5	6 Mt.
419 / 84806	1,5	3 Mt.
419 / 84805	2	6 Mt.
419 / 84807	2	3 Mt.

MATERIALS: Guide profile in natural polyethylene; metal profile in stainless steel AISI 304.

FEATURES: Supplied in lengths of 3 or 6 Mt. Min. curvature radius: 145 mm.

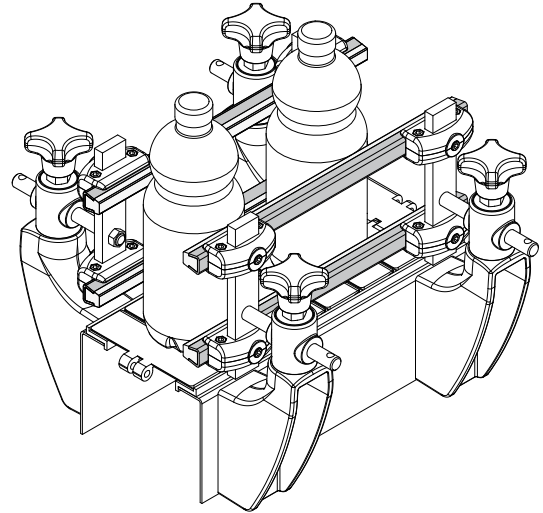
BOX QUANTITY:

- 3 Mt. lengths version: This item is sold in Mt. - Min. 6 Mt. (2 lengths);
- 6 Mt. lengths version: This item is sold in Mt. - Min. 12 Mt. (2 lengths).

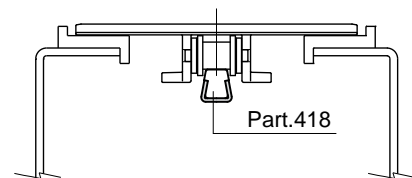
ON REQUEST:

- Box quantity: According to your request.

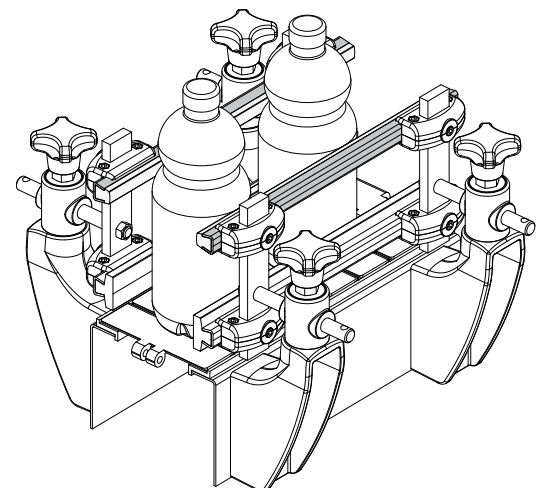
Example of application



Example of application

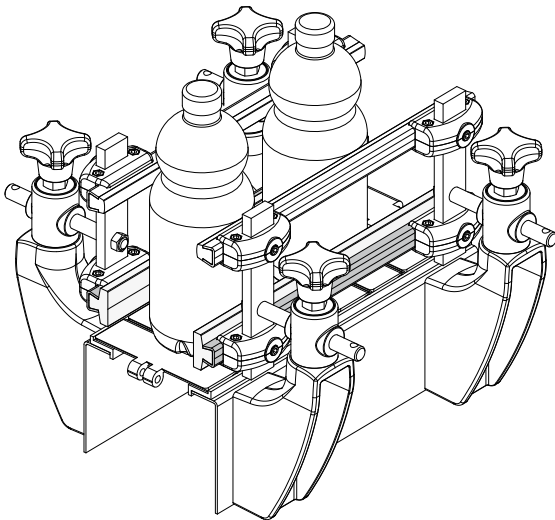


Example of application

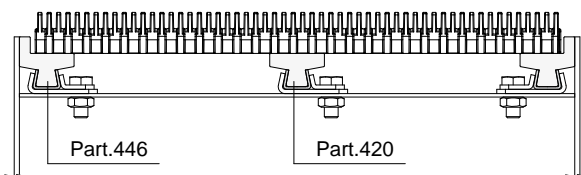


Product guides and accessories

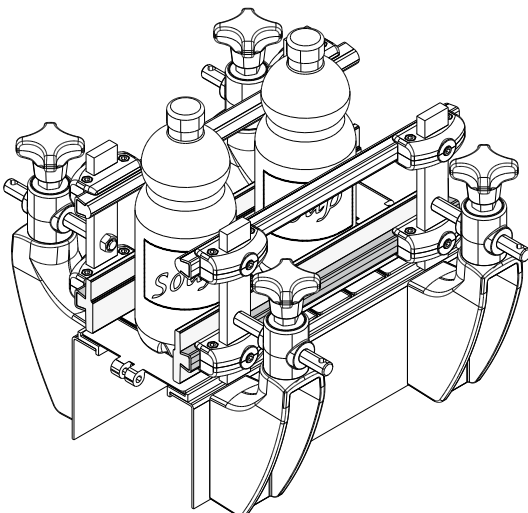
Example of application



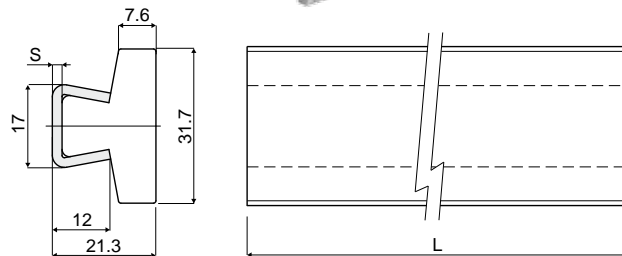
Example of application



Example of application



Side guide rail, flat type **Part. 420** (with metal profile)



Code	S	L
420 / 84808	1,5	6 Mt.
420 / 84810	1,5	3 Mt.
420 / 84809	2	6 Mt.
420 / 84811	2	3 Mt.

MATERIALS: Guide profile in natural polyethylene; metal profile in stainless steel AISI 304.

FEATURES: Supplied in lengths of 3 or 6 Mt. Min. curvature radius: 160 mm.

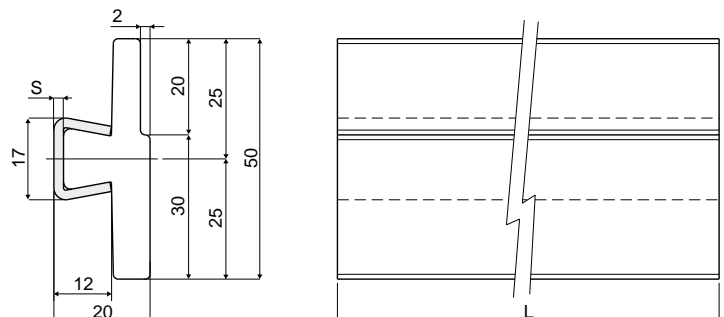
BOX QUANTITY:

- 3 Mt. lengths version: This item is sold in Mt. - Min. 6 Mt. (2 lengths);
- 6 Mt. lengths version: This item is sold in Mt. - Min. 12 Mt. (2 lengths).

ON REQUEST:

- Box quantity: According to your request.

Guide rail **Part. 353** (with metal profile)



Code	S	L
353 / 84196	1,5	6 Mt.
353 / 84197	1,5	3 Mt.
353 / 83441	2	6 Mt.
353 / 83881	2	3 Mt.

MATERIALS: Guide profile in natural polyethylene; metal profile in stainless steel AISI 304.

FEATURES: Supplied in lengths of 3 or 6 Mt. Min. curvature radius: 200 mm.

BOX QUANTITY:

- 3 Mt. lengths version: This item is sold in Mt. - Min. 6 Mt. (2 lengths);
- 6 Mt. lengths version: This item is sold in Mt. - Min. 12 Mt. (2 lengths).

ON REQUEST:

- Box quantity: According to your request.

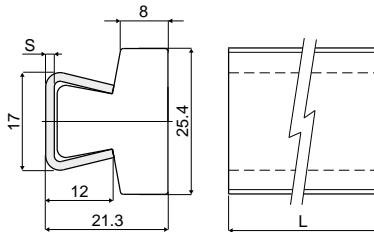
Product guides and accessories

Part. 469

Side guide rail, flat type (with metal profile)



Code	S	L
469 / 85588	1,5	6 Mt.
469 / 85589	1,5	3 Mt.
469 / 85590	2	6 Mt.
469 / 85591	2	3 Mt.



MATERIALS: Guide profile made of HD polyethylene natural; metal profile in stainless steel AISI 304.
FEATURES: Supplied in lengths of 3 or 6 Mt. Min. curvature radius: 160 mm.

BOX QUANTITY:

- 3 Mt. lengths version: This item is sold in Mt. - Min. 6 Mt. (2 lengths);
- 6 Mt. lengths version: This item is sold in Mt. - Min. 12 Mt. (2 lengths).

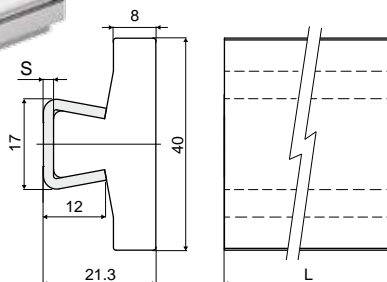
ON REQUEST:

- Box quantity: According to your request.

Part. 514 Side guide rail, flat type (with metal profile)



Code	S	L
514 / 87119	1,5	6 Mt.
514 / 87118	1,5	3 Mt.
514 / 87121	2	6 Mt.
514 / 87120	2	3 Mt.



MATERIALS: Guide profile made of HD polyethylene natural; metal profile in stainless steel AISI 304.
FEATURES: Supplied in lengths of 3 or 6 Mt. Min. curvature radius: 200 mm.

BOX QUANTITY:

- 3 Mt. lengths version: This item is sold in Mt. - Min. 6 Mt. (2 lengths);
- 6 Mt. lengths version: This item is sold in Mt. - Min. 12 Mt. (2 lengths).

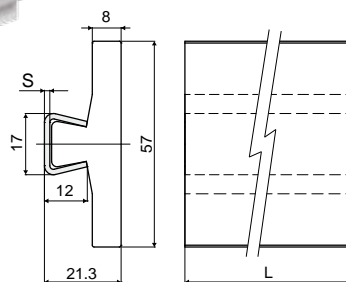
ON REQUEST:

- Box quantity: According to your request.

Part. 485 Side guide rail, flat type (with metal profile)



Code	S	L
485 / 86163	1,5	6 Mt.
485 / 86164	1,5	3 Mt.
485 / 86165	2	6 Mt.
485 / 86166	2	3 Mt.



MATERIALS: Guide profile made of HD polyethylene natural; metal profile in stainless steel AISI 304.
FEATURES: Supplied in lengths of 3 or 6 Mt. Min. curvature radius: 200 mm.

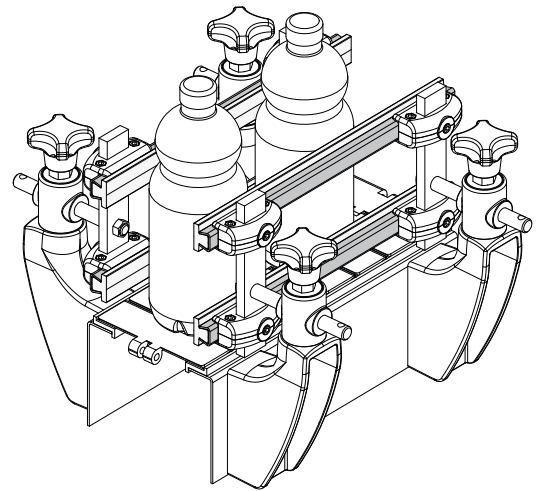
BOX QUANTITY:

- 3 Mt. lengths version: This item is sold in Mt. - Min. 6 Mt. (2 lengths);
- 6 Mt. lengths version: This item is sold in Mt. - Min. 12 Mt. (2 lengths).

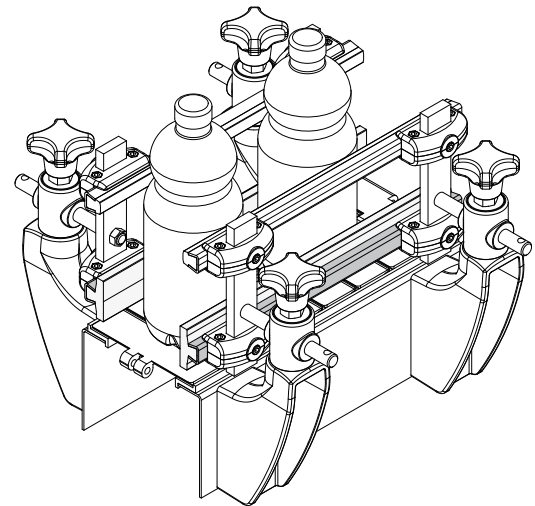
ON REQUEST:

- Box quantity: According to your request.

Example of application

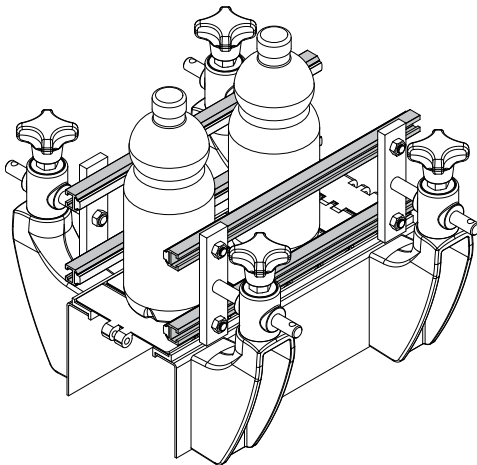


Example of application



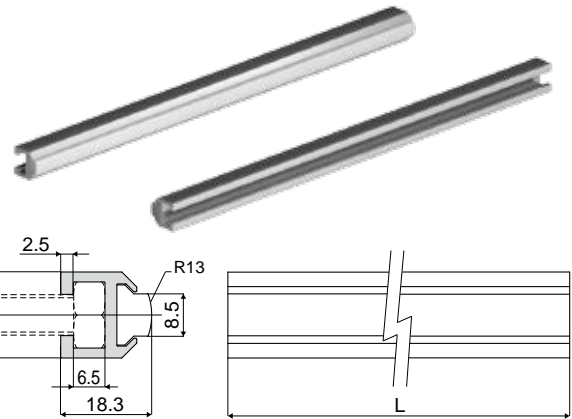
Product guides and accessories

Example of application



Guide rail
(semicircular)

Part. **438**



Code	L
438 / 85237	3 Mt.
438 / 85238	6 Mt.

MATERIALS: Guide profile in UHMWPE white colour, metal profile in anodized aluminium.
FEATURES: Min. curvature radius: 110 mm.

BOX QUANTITY:

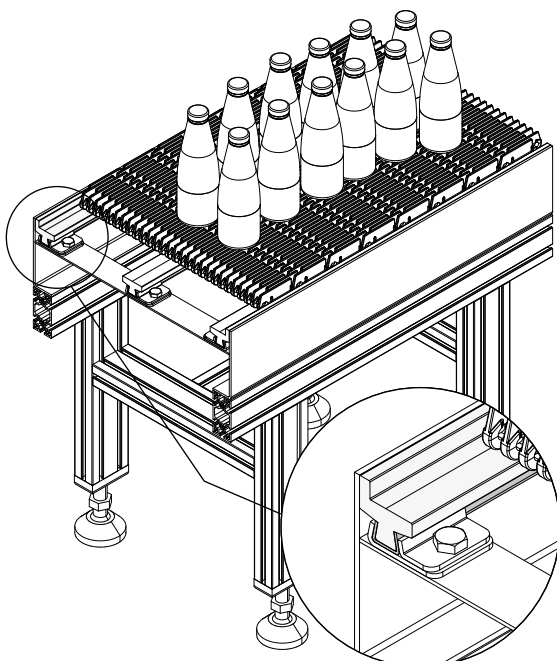
- 3 Mt. lengths version: This item is sold in Mt. - Min. 6 Mt. (2 lengths);
- 6 Mt. lengths version: This item is sold in Mt. - Min. 12 Mt. (2 lengths).

ON REQUEST:

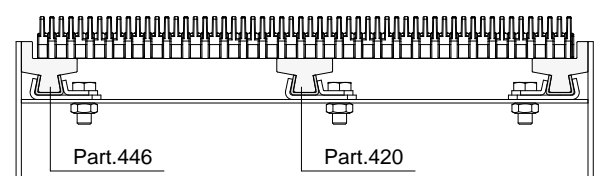
- Box quantity: According to your request.

Chain guides and accessories

Example of application

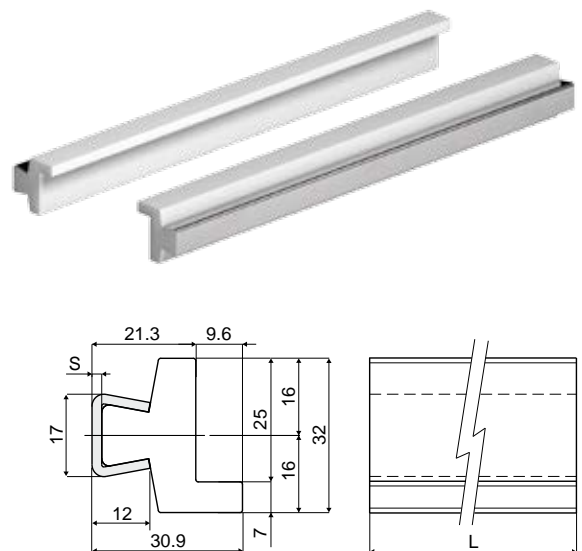


Example of application



Chain guide rail
(with metal profile)

Part. **446**



Code	S	L
446 / 85355	1,5	6 Mt.
446 / 85356	1,5	3 Mt.
446 / 85358	2	6 Mt.
446 / 85357	2	3 Mt.

MATERIALS: Plastic profile in polyethylene natural colour; metal profile in stainless steel AISI 304.
FEATURES: Supplied already assembled in lengths of 3 or 6 meters. Min. curvature radius: 200 mm.

BOX QUANTITY:

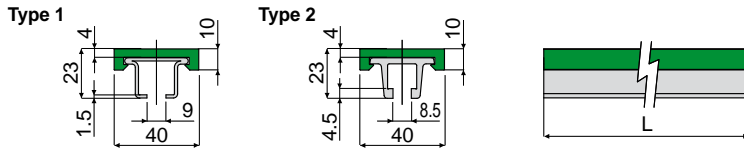
- 3 Mt. lengths version: This item is sold in Mt. - Min. 6 Mt. (2 lengths);
- 6 Mt. lengths version: This item is sold in Mt. - Min. 12 Mt. (2 lengths).

ON REQUEST:

- Box quantity: According to your request.

Chain guides and accessories

Part. 381 Chain guide profile



Type 1				Type 2		
Metal profile in stainless steel AISI 304		Metal profile in stainless steel AISI 430		Metal profile in anodized aluminium		
Code	Code	Colour	L	Code	Colour	L
381 / 84085	381 / 84086	Green	3 Mt.	381 / 84474	Green	3 Mt.
381 / 84954	381 / 84955	Green	6 Mt.	381 / 84475	Green	6 Mt.
381 / 84942	381 / 84946	White	3 Mt.	381 / 84944	White	3 Mt.
381 / 84943	381 / 84947	White	6 Mt.	381 / 84945	White	6 Mt.
381 / 84948	381 / 84952	Black	3 Mt.	381 / 84950	Black	3 Mt.
381 / 84949	381 / 84953	Black	6 Mt.	381 / 84951	Black	6 Mt.
381 / 88130	381 / 88129	Blue Ral 5005	3 Mt.	381 / 87424	Blue Ral 5005	3 Mt.
381 / 88131	381 / 88124	Blue Ral 5005	6 Mt.	381 / 85541	Blue Ral 5005	6 Mt.

NEW
NEW

MATERIALS: Metal profile in stainless steel AISI 304, AISI 430 or anodized aluminium; guide profile in polyethylene.

FEATURES: Supplied in lengths of 3 or 6 Mt.

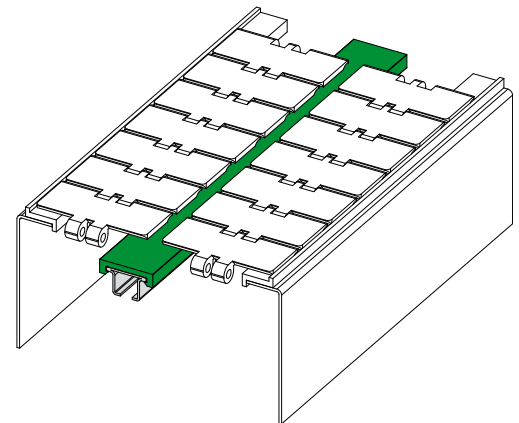
BOX QUANTITY:

- 3 Mt. lengths version: This item is sold in Mt. - Min. 6 Mt. (2 lengths);
- 6 Mt. lengths version: This item is sold in Mt. - Min. 12 Mt. (2 lengths).

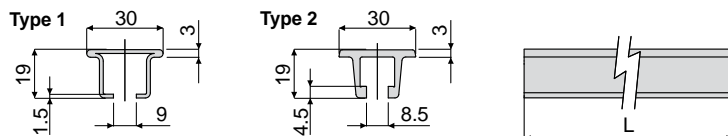
ON REQUEST:

- Guide profiles: In antistatic material black colour.
- Box quantity: According to your request.

Example of application



Part. 384 Chain guide profile



Type 1			Type 2	
Metal profile in stainless steel AISI 304		Metal profile in stainless steel AISI 430	Metal profile in anodized aluminium	
Code	Code	L	Code	L
384 / 84121	384 / 84122	3 Mt.	384 / 84476	3 Mt.
384 / 84956	384 / 84957	6 Mt.	384 / 84477	6 Mt.

MATERIALS: Metal profile in stainless steel AISI 304, AISI 430 or anodized aluminium.

FEATURES: Supplied in lengths of 3 or 6 Mt.

BOX QUANTITY:

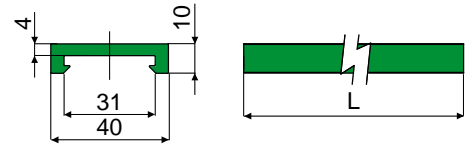
- 3 Mt. lengths version: This item is sold in Mt. - Min. 6 Mt. (2 lengths);
- 6 Mt. lengths version: This item is sold in Mt. - Min. 12 Mt. (2 lengths).

ON REQUEST:

- Box quantity: According to your request.

Chain guides and accessories

Chain guide profile Part. 385



Code	Colour	L
385 / 84123	Green	3 Mt.
385 / 84478	Green	6 Mt.
385 / 84940	White	3 Mt.
385 / 84577	White	6 Mt.
385 / 84941	Black	3 Mt.
385 / 84578	Black	6 Mt.
385 / 88127	Blue Ral 5005	3 Mt.
385 / 88128	Blue Ral 5005	6 Mt.



MATERIALS: Guide profile in polyethylene.

FEATURES: Supplied in lengths of 3 or 6 Mt.

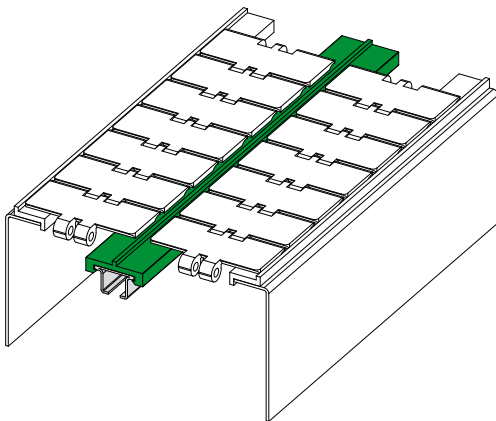
BOX QUANTITY:

- 3 Mt. lengths version: This item is sold in Mt. - Min. 6 Mt. (2 lengths);
- 6 Mt. lengths version: This item is sold in Mt. - Min. 12 Mt. (2 lengths).

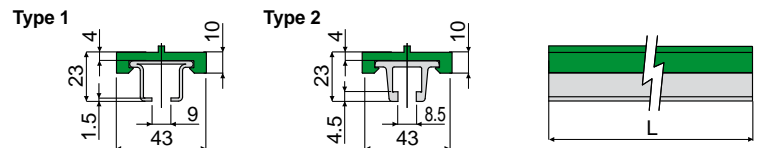
ON REQUEST:

- Guide profiles: In antistatic material black colour.
- Box quantity: According to your request.

Example of application



Chain guide profile Part. 513



Type 1				Type 2		
Metal profile in stainless steel AISI 304		Metal profile in stainless steel AISI 430		Metal profile in anodized aluminium		
Code	Code	Colour	L	Code	Colour	L
513 / 87081	513 / 87083	Green	3 Mt.	513 / 87085	Green	3 Mt.
513 / 87082	513 / 87084	Green	6 Mt.	513 / 87086	Green	6 Mt.

MATERIALS: Metal profile in stainless steel AISI 304, AISI 430 or anodized aluminium; guide profile in polyethylene.

FEATURES: Supplied in lengths of 3 or 6 Mt.

BOX QUANTITY:

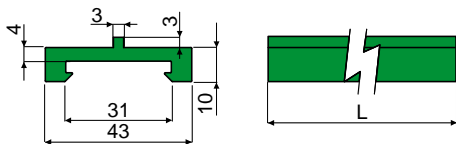
- 3 Mt. lengths version: This item is sold in Mt. - Min. 6 Mt. (2 lengths);
- 6 Mt. lengths version: This item is sold in Mt. - Min. 12 Mt. (2 lengths).

ON REQUEST:

- Guide profiles: In antistatic material black colour.
- Box quantity: According to your request.

Chain guides and accessories

Part. 512 Chain guide profile



Code	Colour	L
512 / 87079	Green	3 Mt.
512 / 87080	Green	6 Mt.

MATERIALS: Guide profile in polyethylene.

FEATURES: Supplied in lengths of 3 or 6 Mt.

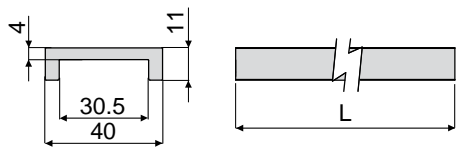
BOX QUANTITY:

- 3 Mt. lengths version: This item is sold in Mt. - Min. 6 Mt. (2 lengths);
- 6 Mt. lengths version: This item is sold in Mt. - Min. 12 Mt. (2 lengths).

ON REQUEST:

- Guide profiles: In antistatic material black colour.
- Box quantity: According to your request.

Part. 517 Chain guide profile (with rectified sliding surface)



Code	Colour	L
517 / 87377	Black	3 Mt.
517 / 87378	Black	6 Mt.

MATERIALS: Guide profile in polyethylene.

FEATURES: Rectified sliding surface. Supplied in lengths of 3 or 6 Mt.

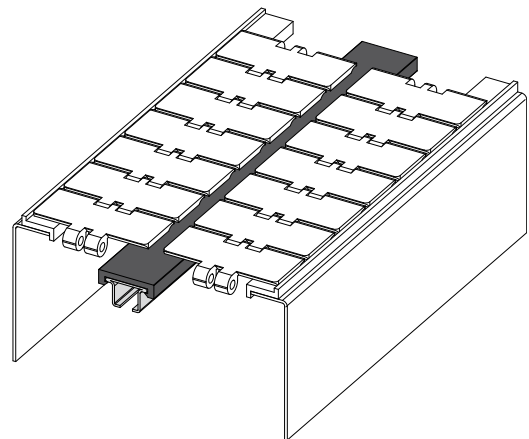
BOX QUANTITY:

- 3 Mt. lengths version: This item is sold in Mt. - Min. 6 Mt. (2 lengths);
- 6 Mt. lengths version: This item is sold in Mt. - Min. 12 Mt. (2 lengths).

ON REQUEST:

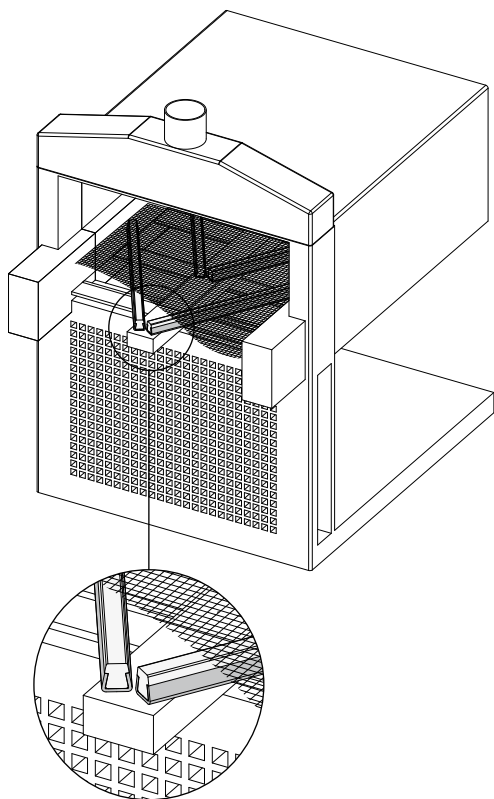
- Guide profiles: In antistatic material black colour.
- Box quantity: According to your request.

Example of application



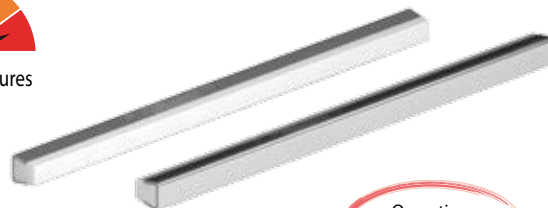
Chain guides and accessories

Example of application

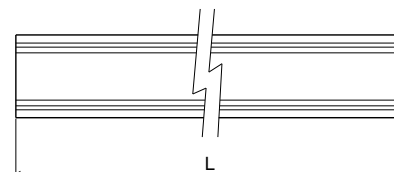
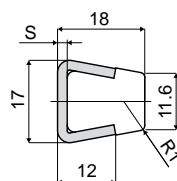


Guide rail for high temperatures (with metal profile)

Part. **377**



Operating temperatures up to 260°C



Code	S	L
377 / 85476	1,5	3 Mt.
377 / 83973	2	3 Mt.

MATERIALS: Guide profile in PTFE (Teflon) natural colour; metal profile in stainless steel AISI 304.

FEATURES: To be used in every application where the resistance to the high temperatures is needed; for example: ovens, fryers, filling areas with high temperature, steam rooms, kitchens etc. Supplied in 3 meters lengths. Min. curvature radius: 145 mm.

BOX QUANTITY: 2 bars of 3 meters (total 6 meters).

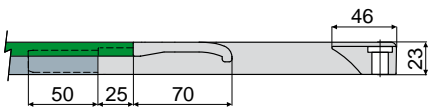
ON REQUEST:

- Box quantity: According to your request.

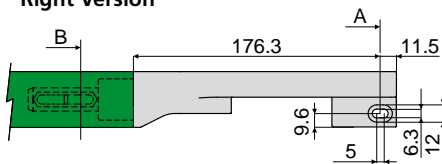
Chain guides and accessories

Part. **444**

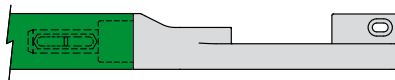
Chain inlet guide shoe
(side)



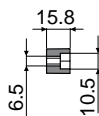
Right Version



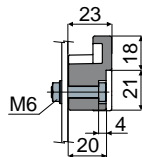
Left Version



Section B



Section A



Version	Code
Right	444 / 85308
Left	444 / 85309

MATERIALS: Shoe in black polyamide.

FEATURES: To be assembled near to the idler wheels to drive the chain on the transport guides: Part.381, 384, 513 (excluding versions with aluminium metal profile).

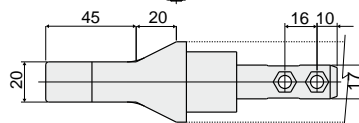
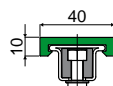
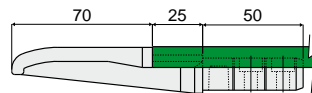
BOX QUANTITY: 24 pieces.

ON REQUEST:

- Shoes: In various colours.
- Box quantity: According to your request.

Part. **389**

Chain inlet guide shoe
(central)



Code
389 / 84165

MATERIALS: Shoe in black polyamide.

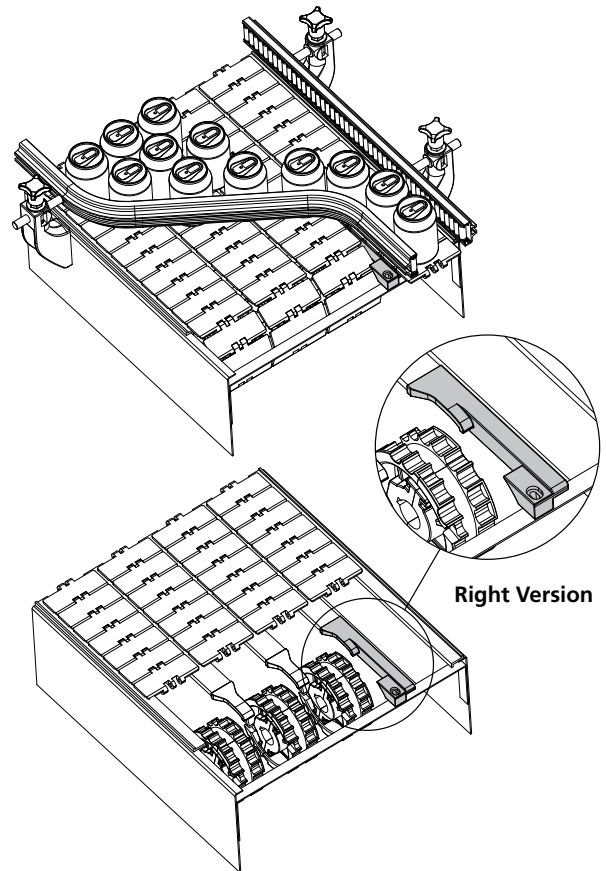
FEATURES: To be assembled near to the idler wheels to drive the chain on the transport guides: Part.381, 384, 513 (excluding versions with aluminium metal profile).

BOX QUANTITY: 24 pieces.

ON REQUEST:

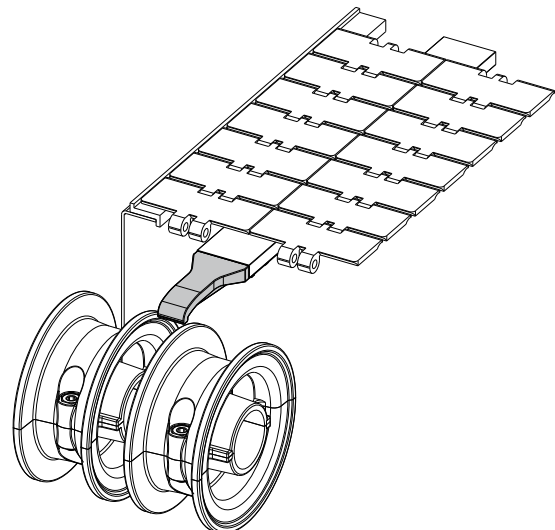
- Shoes: In various colours.
- Box quantity: According to your request.

Example of application



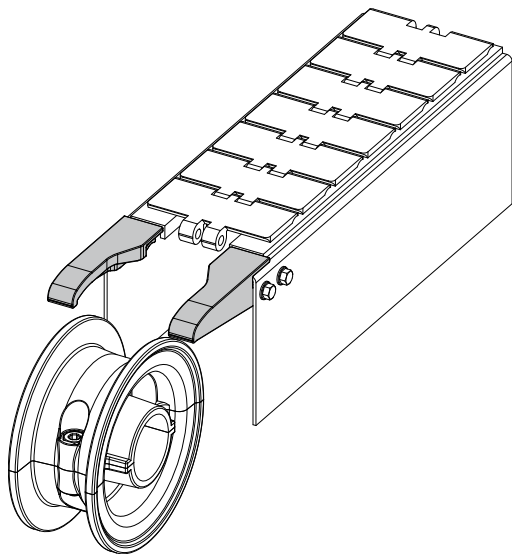
Right Version

Example of application



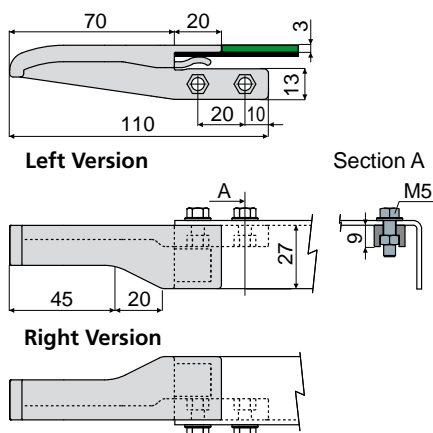
Chain guides and accessories

Example of application



Chain inlet guide shoe

Part. **519**



Version	Code
Right	519 / 87254
Left	519 / 87255
Right + Left	519 / 87256

MATERIALS: Shoe in black polyamide.

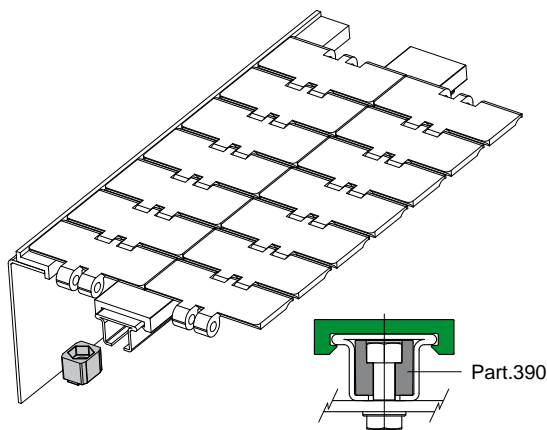
FEATURES: To be assembled near to the idler wheels to drive the chain on the transport guides: Part.381, 384, 513 (excluding versions with aluminium metal profile).

BOX QUANTITY: 24 pieces.

ON REQUEST:

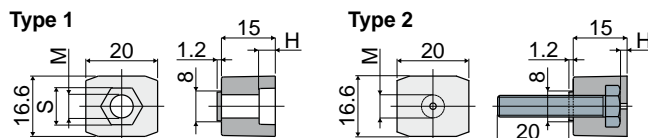
- Shoes: In various colours.
- Box quantity: According to your request.

Example of application



Mounting block for chain guide profile

Part. **390**



Type 1				Type 2		
Code	M	H	S	Code	M	H
390 / 84166	M6	4,5	10	390 / 87189	M6	2
390 / 84167	M8	6	13			

MATERIALS: Mounting block in reinforced polyamide, black colour; screw in stainless steel.

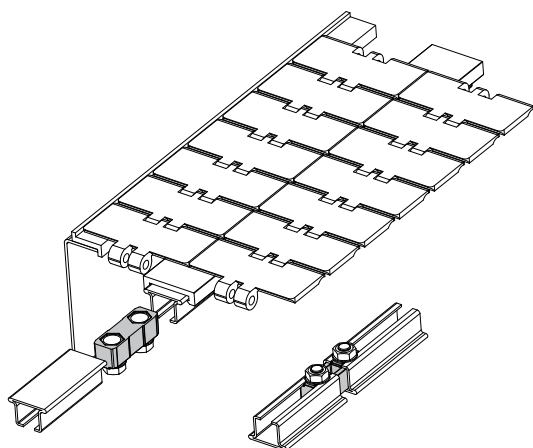
FEATURES: To be used for the guide fixing on the frame: Part.381, 384, 513 (excluding versions with aluminium metal profile).

BOX QUANTITY: 96 pieces.

ON REQUEST:

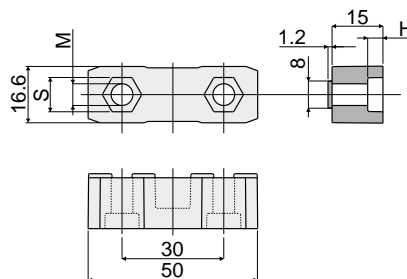
- Mounting blocks: In various colours.
- Box quantity: According to your request.

Example of application



Connecting block for chain guide profile

Part. **391**



Code	M	H	S
391 / 84168	M6	4,5	10
391 / 84169	M8	6	13

MATERIALS: Connecting block in reinforced polyamide, black colour.

FEATURES: To be used to joint the guides: Part.381, 384, 513 (excluding versions with aluminium metal profile).

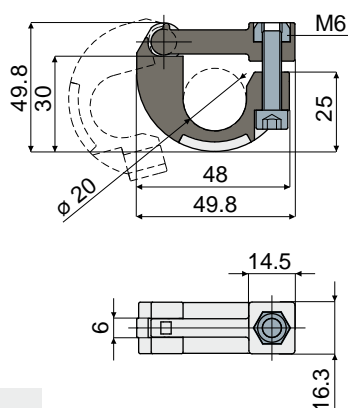
BOX QUANTITY: 48 pieces.

ON REQUEST:

- Connecting blocks: In various colours.
- Box quantity: According to your request.

Chain guides and accessories

Part. 461 Hinge joint



Code
461 / 85473

MATERIALS: Joint in reinforced polyamide black colour; bolts and nuts in stainless steel AISI 304.

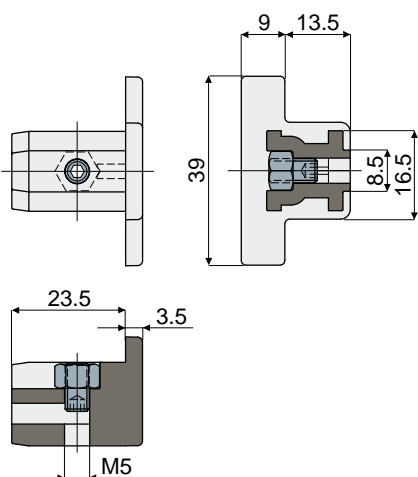
FEATURES: To be used to join the guides Part.381, 384, 513 (excluding versions with aluminium metal profile); supplied complete with bolts and nuts.

BOX QUANTITY: 8 pieces.

ON REQUEST:

- Joints: In other colours.
- Box quantity: According to your request.

Part. 492 Closing cap (for chain guide profile Part.381)



Code
492 / 87013

MATERIALS: Cap in reinforced polyamide grey colour; nut and grub screw in stainless steel AISI 304.

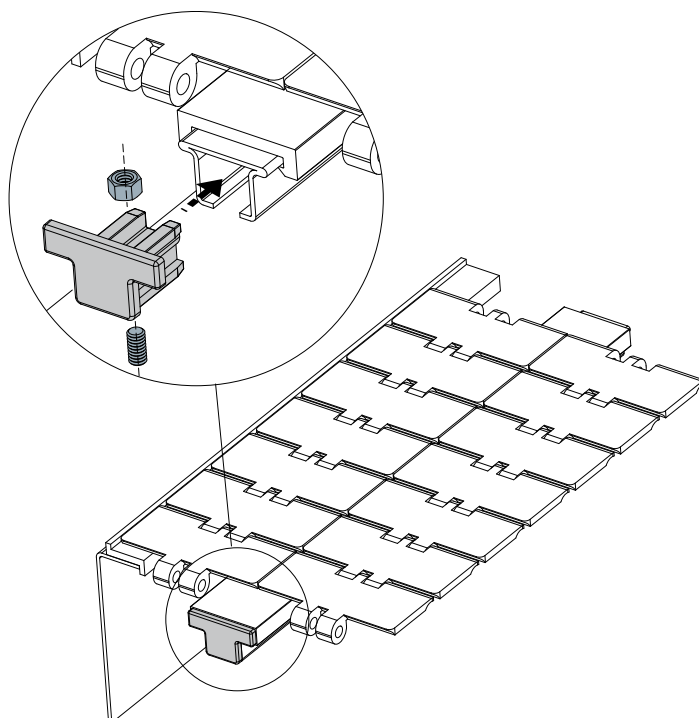
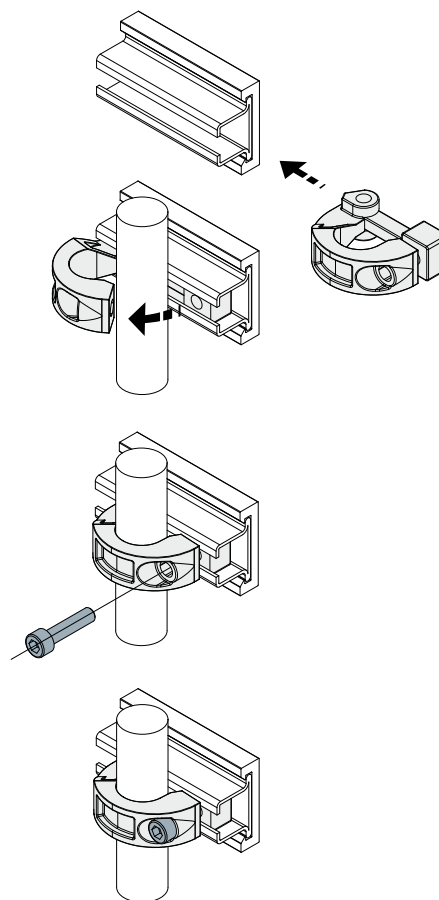
FEATURES: To be used as a closure cap at the extremities of the central guides Part.381, 384, 513 (excluding versions with aluminium metal profile).

BOX QUANTITY: 24 pieces.

ON REQUEST:

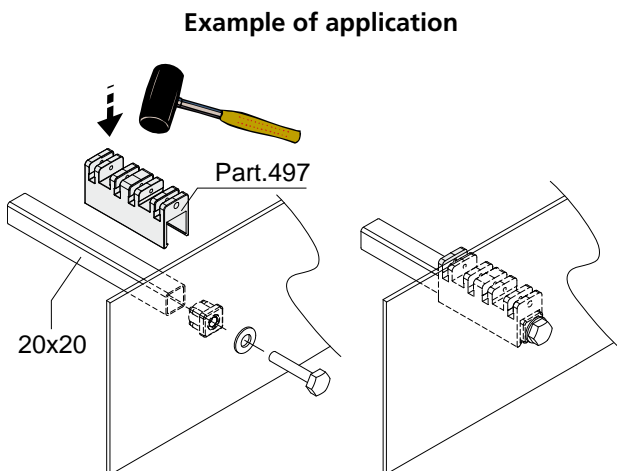
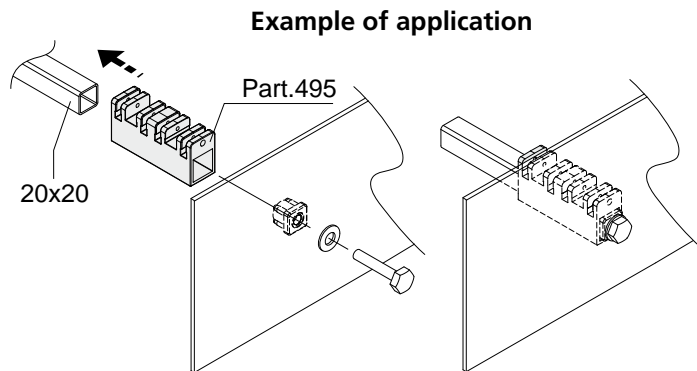
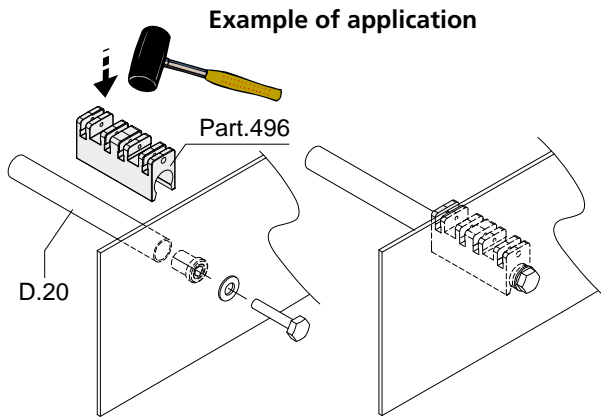
- Assembling of: Nuts and grub screws.
- Box quantity: According to your request.

Example of application

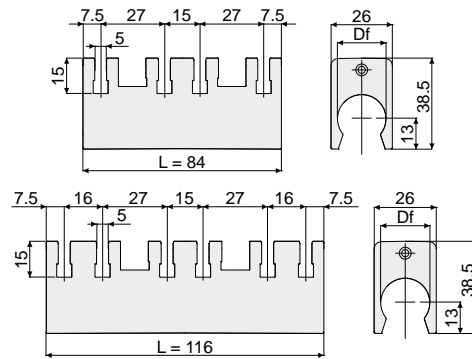


Example of application

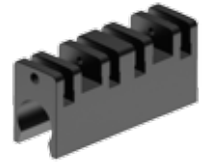
Chain guides and accessories



Spacer for chain return (open version, for round tubes)



Part. **496**

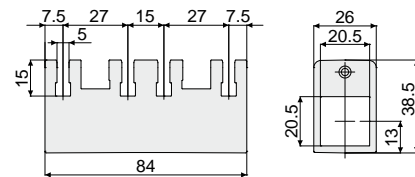


Df Bore for round tubes of (mm)	L	Code
20	84	496 / 87017
	116	496 / 87018

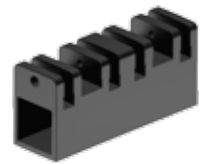
MATERIALS: Spacer in polyamide black colour.
FEATURES: To be used together with the sliding profile Part.499.
BOX QUANTITY: 24 pieces.
ON REQUEST:

- Spacers: In various colours.
- Box quantity: According to your request.

Spacer for chain return (closed version, for square tubes)



Part. **495**

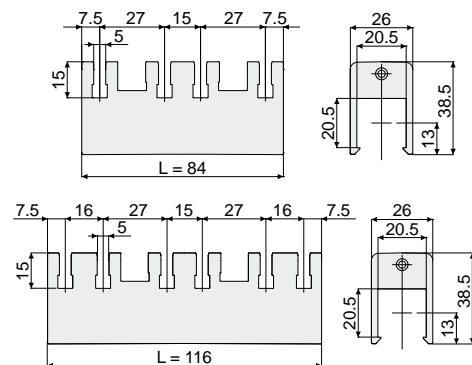


Code
495 / 87016

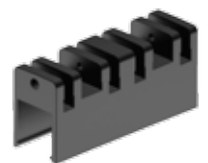
MATERIALS: Spacer in polyamide black colour.
FEATURES: To be used together with the sliding profile Part.499.
BOX QUANTITY: 24 pieces.
ON REQUEST:

- Spacers: In various colours.
- Box quantity: According to your request.

Spacer for chain return (open version, for square tubes)



Part. **497**



Df Bore for square tubes of (mm)	L	Code
20x20	84	497 / 87019
	116	497 / 87020

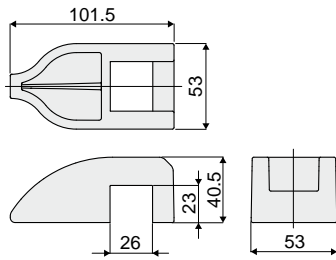
MATERIALS: Spacer in polyamide black colour.
FEATURES: To be used together with the sliding profile Part.499.
BOX QUANTITY: 24 pieces.
ON REQUEST:

- Spacers: In various colours.
- Box quantity: According to your request.

Chain guides and accessories

Part. 471

Shoe for chain return



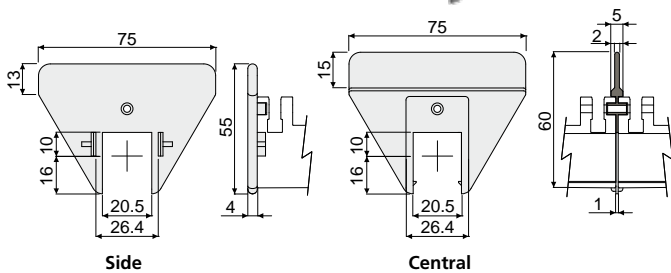
Code
471 / 85796

MATERIALS: Shoe is made of HD polyethylene green colour.
FEATURES: To be used together with the spacers Part.495, 496, 497 and with the profile Part.499. Pressure mounting.
BOX QUANTITY: 24 pieces.
ON REQUEST:

- Shoes: In various colours.
- Box quantity: According to your request.

Part. 498

Striker



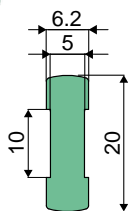
Type	Code
Side	498 / 87021
Central	498 / 87022

MATERIALS: Striker in polyamide black colour.
FEATURES: To be used together with the spacers Part.495, 496, 497.
BOX QUANTITY: 24 pieces.
ON REQUEST:

- Strikers: In various colours.
- Box quantity: According to your request.

Part. 499

Sliding profile

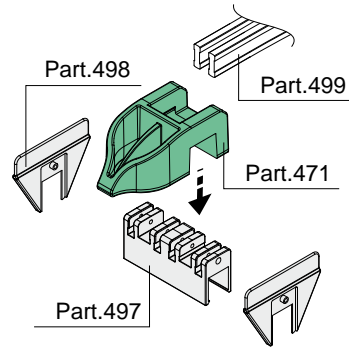


Code
499 / 87023

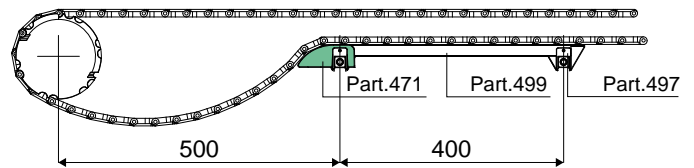
MATERIALS: Extruded polyethylene green colour.
FEATURES: To be used together with the spacers Part.495, 496, 497.
BOX QUANTITY: This item is sold in Mt. - Min. 60 Mt.
ON REQUEST:

- Profiles: Different colours and lengths.
- Box quantity: According to your request.

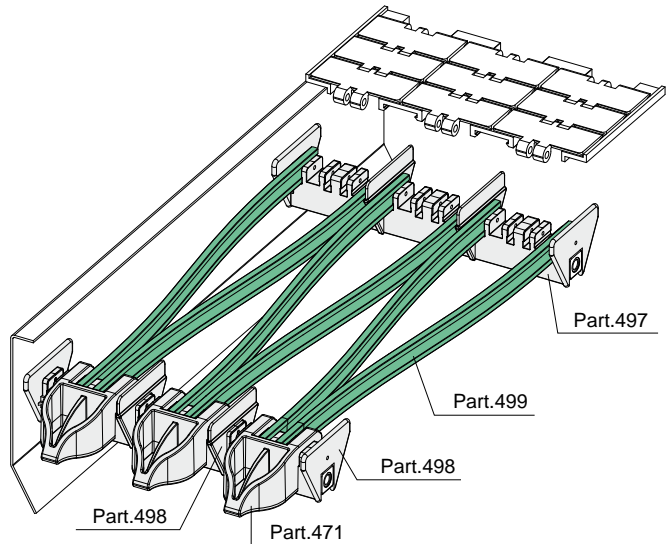
Example of application



Example of application

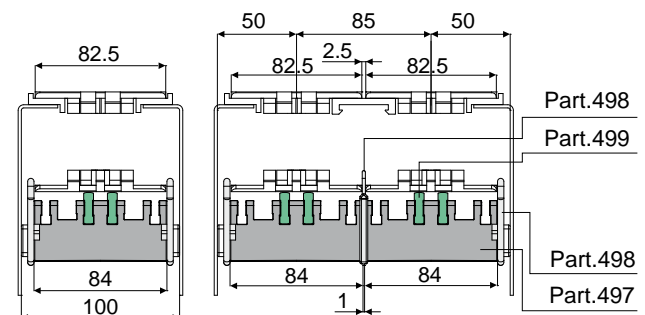


Example of application

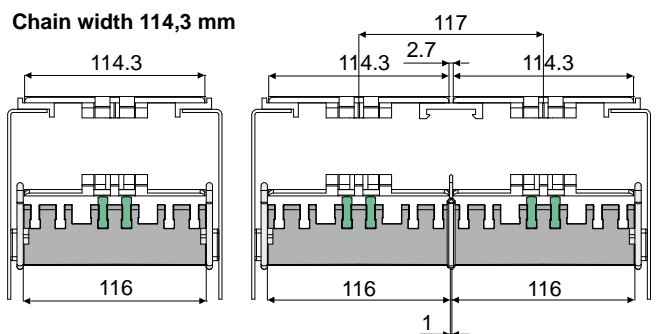


Example of mounting

Chain width 82,5 mm

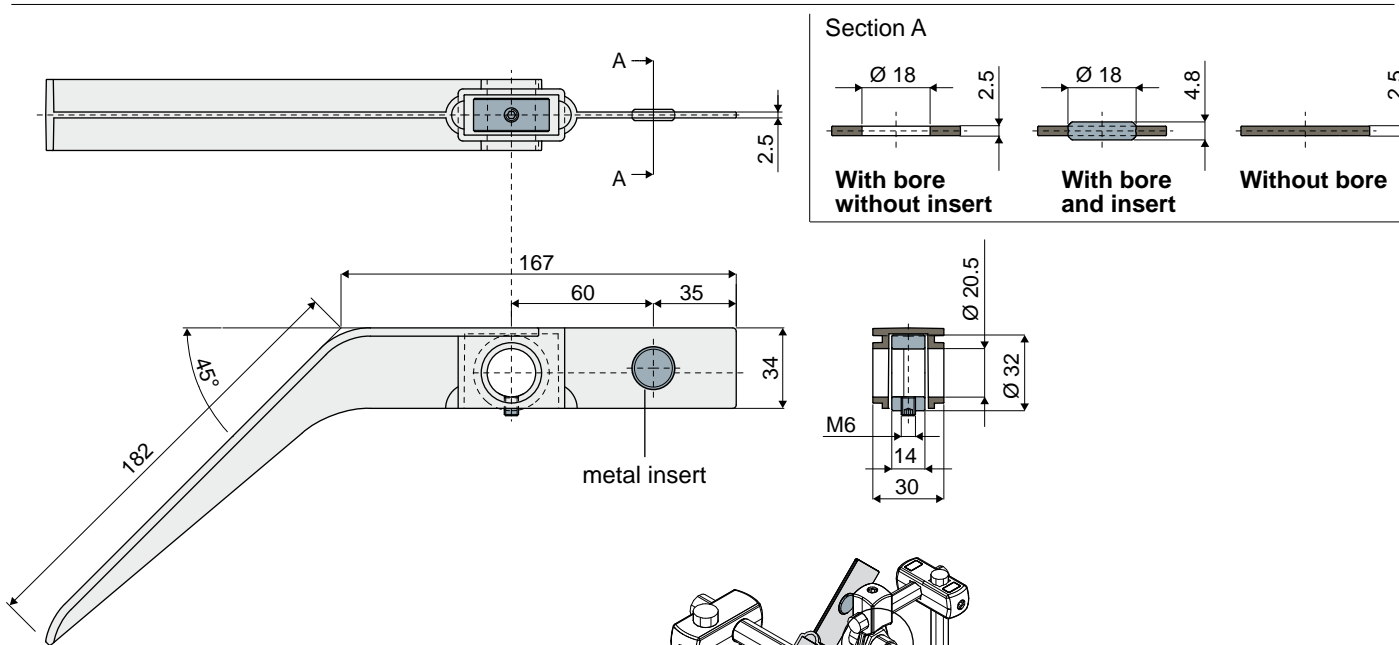


Chain width 114,3 mm



Process control

Scanning lever Part. 360



Stop ring in zinc plated steel		
Without bore	With bore without sensor insert	With bore and sensor insert
Code	Code	Code
360 / 83606	360 / 83607	360 / 83608

Stop ring in stainless steel AISI 304		
Without bore	With bore without sensor insert	With bore and sensor insert
Code	Code	Code
360 / 84091	360 / 85184	360 / 85185

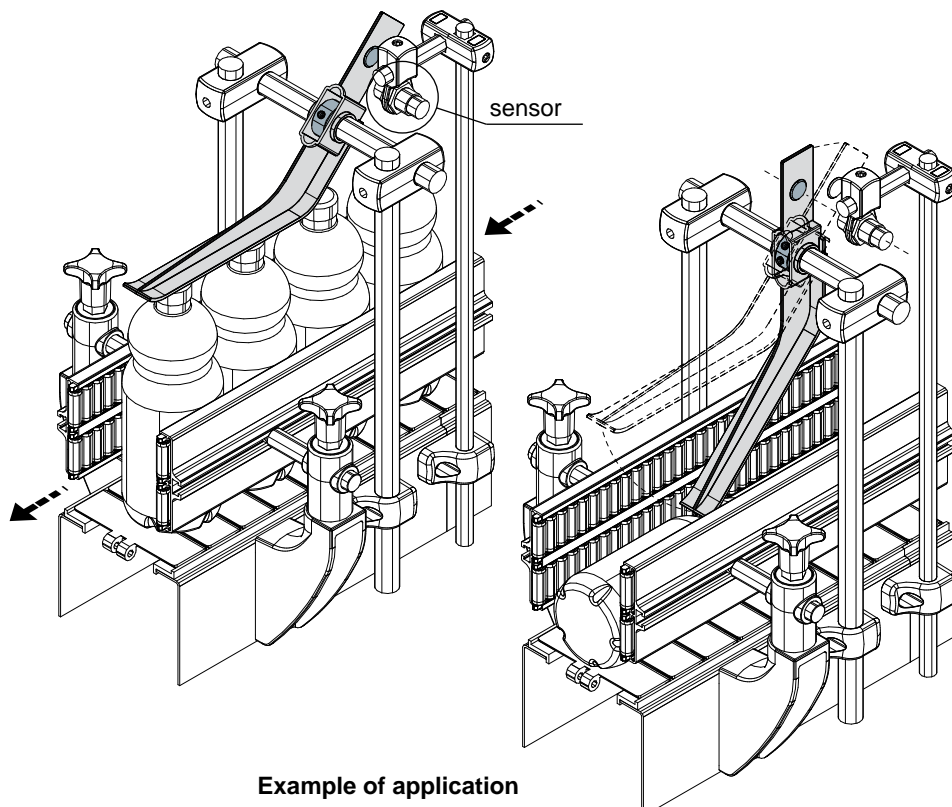
MATERIALS: Scanning lever in reinforced polyamide black colour; grain and collar in zinc-plated steel or stainless steel AISI 304.

FEATURES: Supplied assembled. To be used in the surveying of the packaged products.

BOX QUANTITY: 24 pieces.

ON REQUEST:

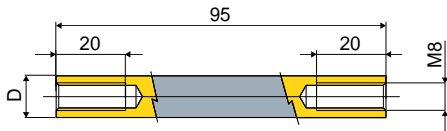
- Scanning levers: Versions without stop ring nor sensor insert; in different colours.
- Box quantity: According to your request.



Example of application

Accessories for the cross adjustment of the side guides

Part. 429 Spacer (for conveyors' section)



D (mm)	Code
12	429 / 85065
16	429 / 85066

MATERIALS: Spacers in Stainless steel AISI 304.

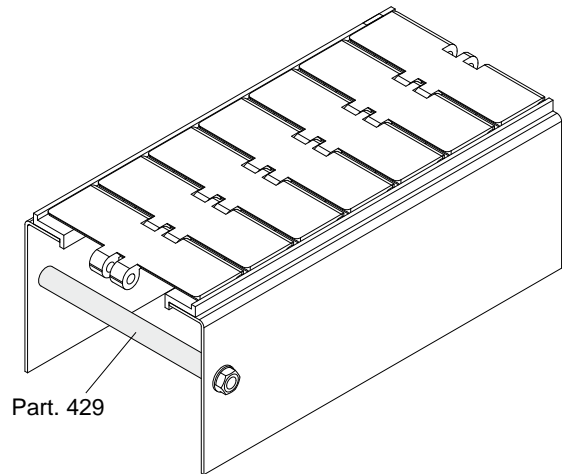
FEATURES: To be used to fix the frame in the conveyor system.

BOX QUANTITY: 24 pieces.

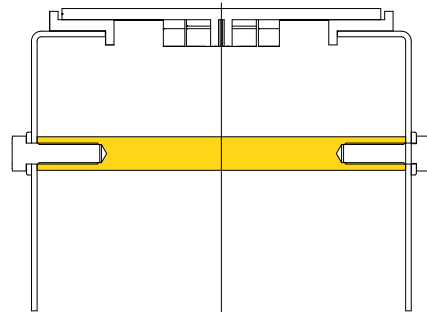
ON REQUEST:

- Box quantity: According to your request.

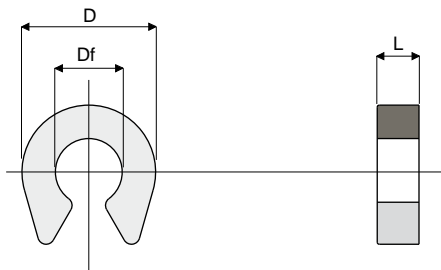
Example of application



Part. 429



Part. 316 Spacer for rail-holder cylinder



Df Bore diameter (mm)	D (mm)	L (mm)	Code
8	16	2,5	316 / 82871
8	16	5	316 / 82872

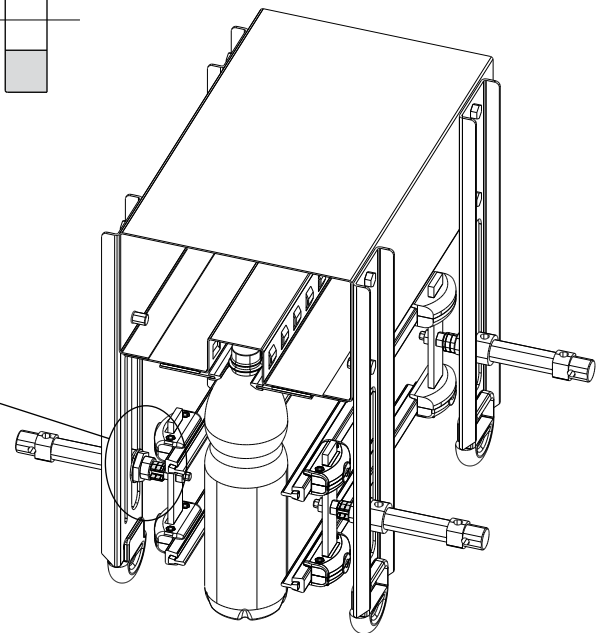
MATERIALS: Spacer made of polyamide black colour.

FEATURES: To be used as spacer for the stroke regulation of rail-holder pneumatic cylinder. Snap-on assembly on 8 mm diameter spindles.

BOX QUANTITY: 96 pieces.

ON REQUEST:

- Spacers: With special bores and sizes.
- Box quantity: According to your request.



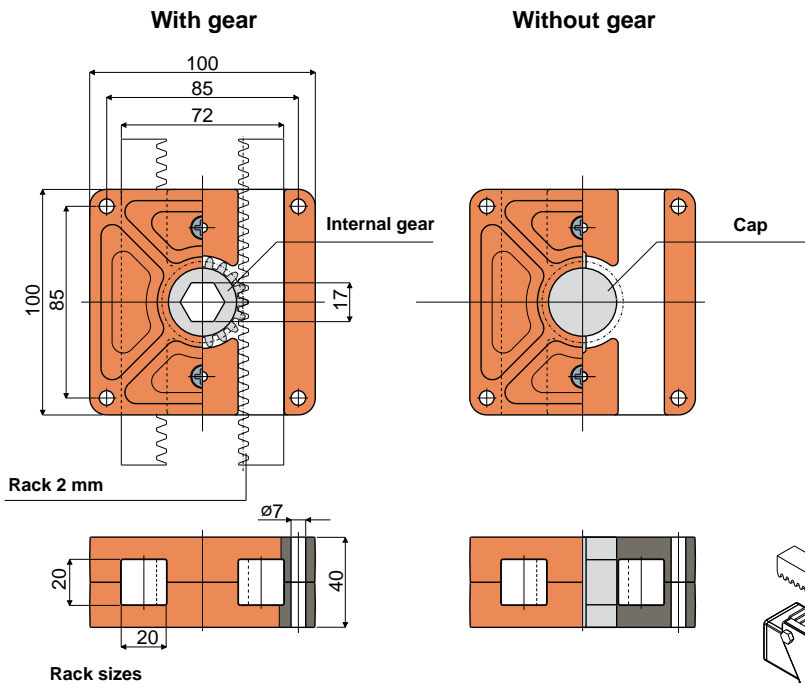
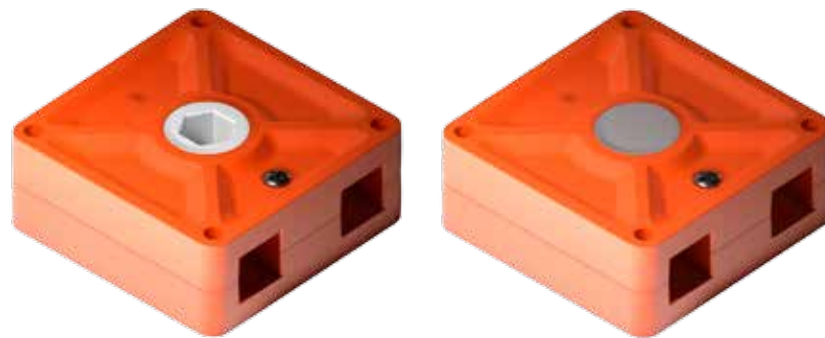
Example of application

Accessories for the cross adjustment of the side guides

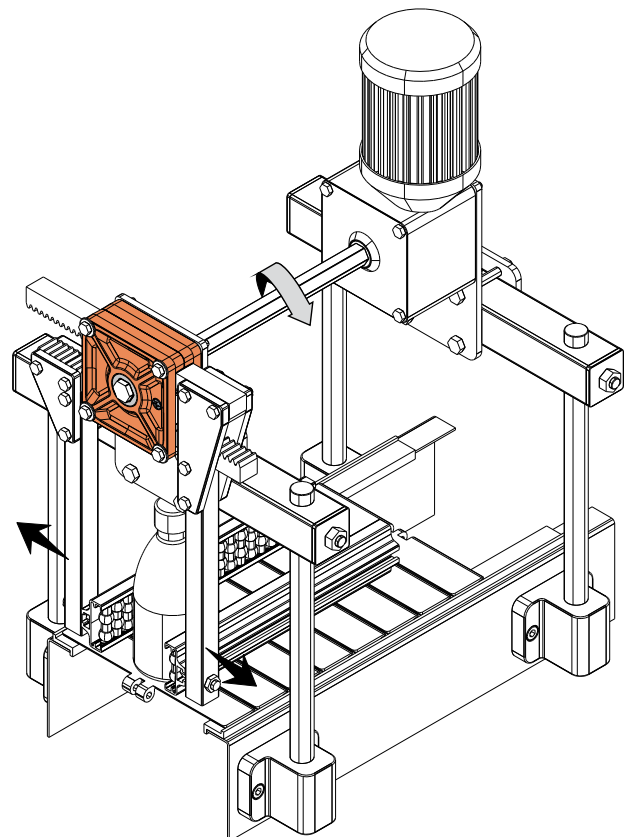
Reducer for Racks

(for the cross adjustment of the side guides)

Part. **299**



Example of application



Internal gear made of acetal	Internal gear made of brass	Without gear
Code	Code	Code
299 / 82681	299 / 83378	299 / 82680

MATERIALS: External body of reducer is made of reinforced polyamide orange colour; self-threading screw is made of stainless steel AISI 304. Available: without internal gear; with internal gear made of acetal, white colour; with internal gear made of brass.

FEATURES: To be used for the cross adjustment of the side guides while changing the size of the conveyed product.

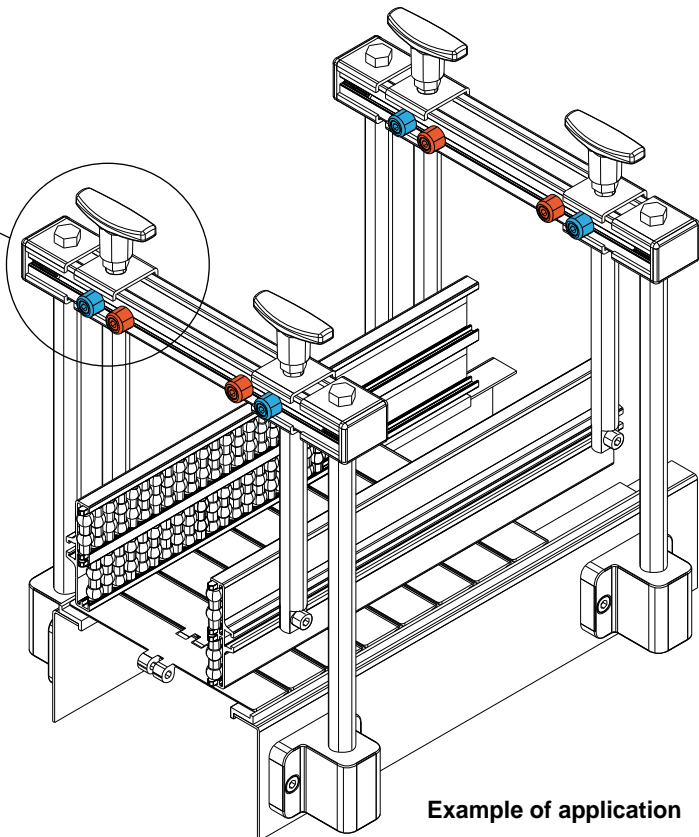
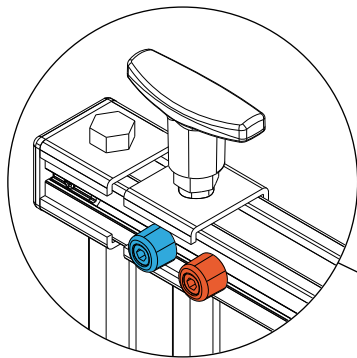
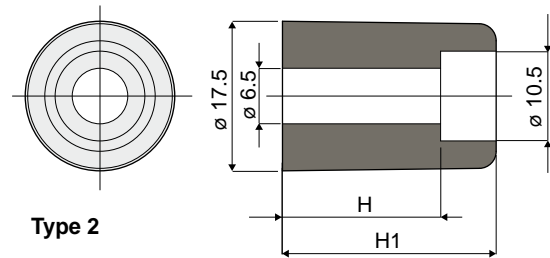
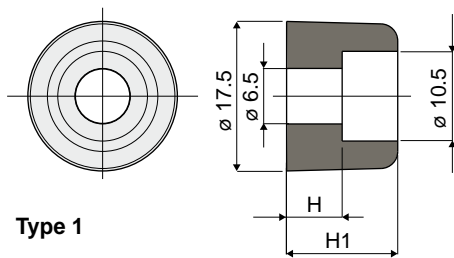
BOX QUANTITY: 24 pieces.

ON REQUEST:

- Reducers: In different colours.
- Box quantity: According to your request.

Accessories for the cross adjustment of the side guides

Part. 331 Reference peg for size changing



Example of application

Colour	H (mm)	H1 (mm)	Type 1 Code
Black RAL 9005			331 / 83090
White RAL 9001			331 / 83091
Red RAL 3000			331 / 83092
Yellow RAL 1021			331 / 83093
Blue RAL 5015			331 / 83094
Green RAL 6029	6,5	13	331 / 83095
Mustard RAL 1027			331 / 83096
Orange RAL 2004			331 / 83097
Grey RAL 7035			331 / 83098
Pink RAL 3015			331 / 83099
Light blue RAL 6027			331 / 83100
Brown RAL 8001			331 / 83101

Colour	H (mm)	H1 (mm)	Type 2 Code
White RAL 9001			331 / 84479
Red RAL 3000			331 / 84480
Yellow RAL 1021	18,5	25	331 / 84483
Blue RAL 5015			331 / 84482
Green RAL 6029			331 / 84481

MATERIALS: Peg in reinforced polypropylene.

FEATURES: To be used as a reference on the transport guides for size changing.

BOX QUANTITY: 96 pieces.

ON REQUEST:

- Pegs: Can be produced in other colours.
- Box quantity: According to your request.

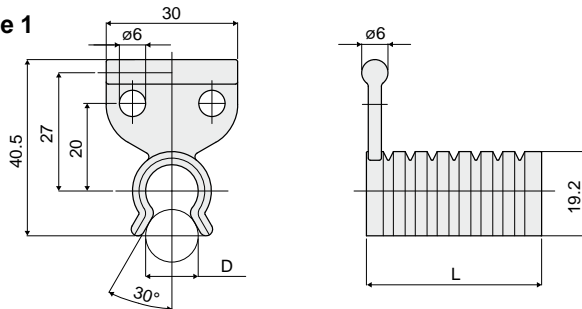
Accessories for the cross adjustment of the side guides

Spacer for guide rail pin

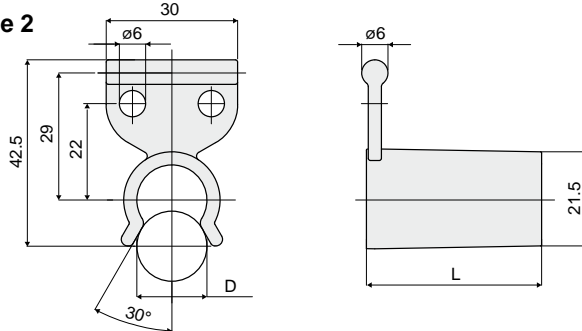
Part. 352



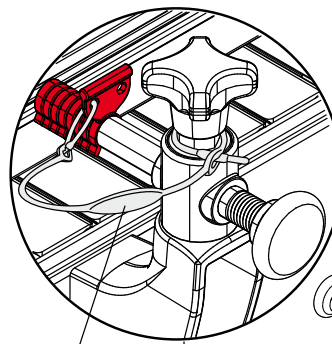
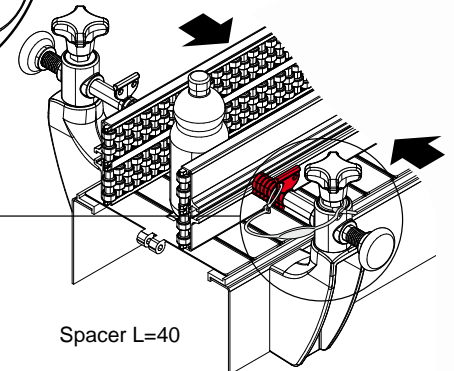
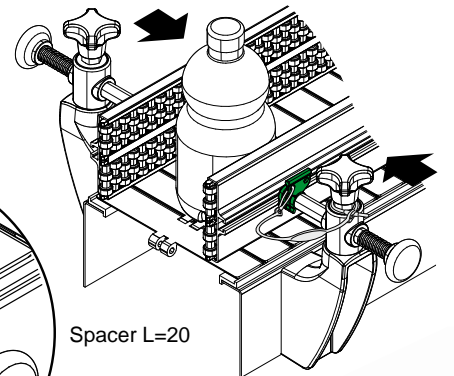
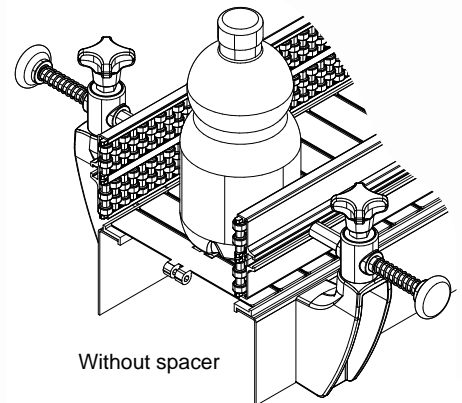
Type 1



Type 2



Example of applications



D (mm)	L (mm)	Colour	Type 1 Code
5		White RAL 9001	352 / 83419
10		Red RAL 3000	352 / 83420
15		Black RAL 9005	352 / 83421
20		Green RAL 6029	352 / 83422
25		Yellow RAL 1021	352 / 83423
30		Orange RAL 2004	352 / 83424
35		Blue RAL 5015	352 / 83425
12		White RAL 9001	352 / 83411
		Red RAL 3000	352 / 83412
		Black RAL 9005	352 / 83413
		Green RAL 6029	352 / 83414
40		Yellow RAL 1021	352 / 83415
		Orange RAL 2004	352 / 83416
		Blue RAL 5015	352 / 83417
		Grey RAL 7035	352 / 83418

D (mm)	L (mm)	Colour	Type 2 Code
		White RAL 9001	352 / 84444
		Red RAL 3000	352 / 84445
16	40	Green RAL 6029	352 / 84446
		Yellow RAL 1021	352 / 85569
		Blue RAL 5015	352 / 85570

MATERIALS: Spacer in polypropylene.

FEATURES: To be used to adjust the distance between the side guides. Snap-on assembly. Available in different lengths and colours.

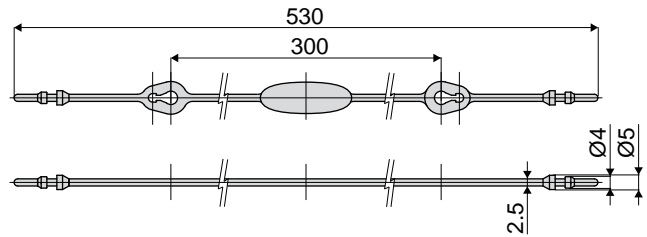
BOX QUANTITY: 24 pieces.

ON REQUEST:

- Spacers: Other colours.
- Box quantity: According to your request.

Accessories for the cross adjustment of the side guides

Part. 462 Safety string

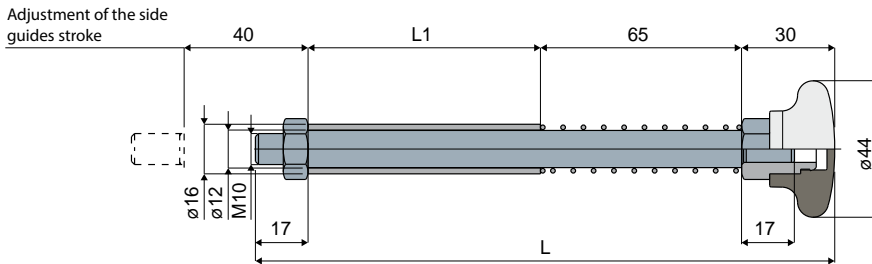


Code
462 / 85548

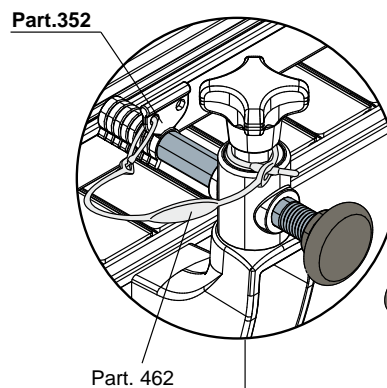
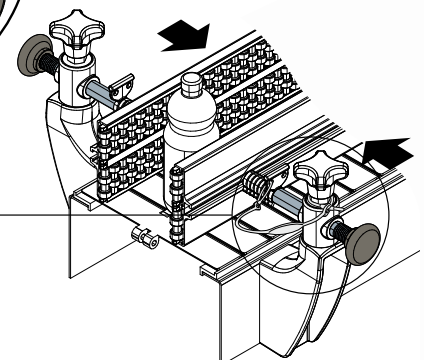
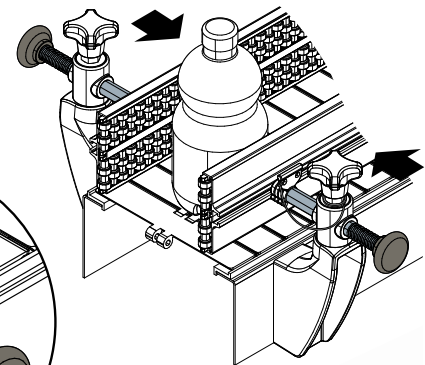
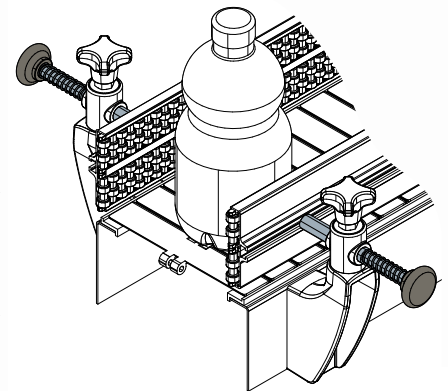
MATERIALS: String made of black polyamide.
FEATURES: To be used to tie Part.352 together with Part.374.
BOX QUANTITY: 24 pieces.
ON REQUEST:

- Strings: In different colours.
- Box quantity: According to your request.

Part. 374 Guide rail pin (for the quick adjustment of the side guides)



Example of application



L	L1	Code
187	75	374 / 83860
237	125	374 / 85977

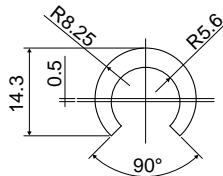
MATERIALS: Handle made of reinforced polyamide, black colour; pin, nut, spring and dinghy in stainless steel AISI 304; bushing in nickel plated brass.
FEATURES: To be used together with our Part.352, for the quick adjustment of the side guides.
BOX QUANTITY: 24 pieces.
ON REQUEST:

- Pins: In different lengths; with M8 thread instead of M10.
- Box quantity: According to your request.

Product guides and accessories

Extruded product guide rails in coils of 60 Mt.

Part. **370**



Code

370 / 83726

MATERIALS: Extruded HMWPE white colour.

BOX QUANTITY: This item is sold in Mt. - Min. 60 Mt.

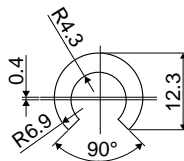
FEATURES: To be used with 12 mm diameter rods.

ON REQUEST:

- Guide rails: Different colours and lengths.

Extruded product guide rails in coils of 60 Mt.

Part. **371**



Code

371 / 83727

MATERIALS: Extruded HMWPE white colour.

BOX QUANTITY: This item is sold in Mt. - Min. 60 Mt.

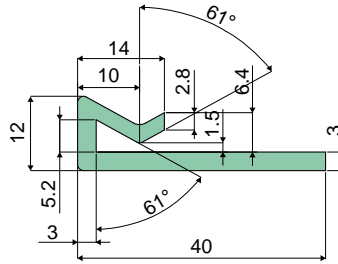
FEATURES: To be used with 10 mm diameter rods.

ON REQUEST:

- Guide rails: Different colours and lengths.

Chain guides and accessories

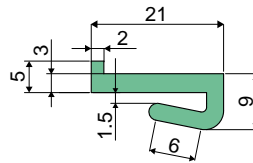
Part. 361 Extruded profile supplied in coils of 50 / 60 Mt. For plates from 2 to 4 mm.



Code
361 / 83717

MATERIALS: Extruded UHMWPE green colour.
BOX QUANTITY: This item is sold in Mt. - Min. 50 Mt.
ON REQUEST:
• Guide profiles: Different colours and lengths.

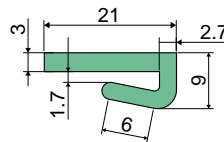
Part. 362 Extruded profile supplied in coils of 60 Mt. For plates from 2 to 4 mm.



Code
362 / 83718

MATERIALS: Extruded UHMWPE green colour.
BOX QUANTITY: This item is sold in Mt. - Min. 60 Mt.
ON REQUEST:
• Guide profiles: Different colours and lengths.

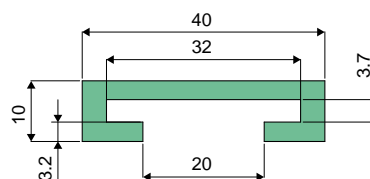
Part. 363 Extruded profile supplied in coils of 60 Mt. For plates from 2 to 4 mm.



Code
363 / 83719

MATERIALS: Extruded UHMWPE green colour.
BOX QUANTITY: This item is sold in Mt. - Min. 60 Mt.
ON REQUEST:
• Guide profiles: Different colours and lengths.

Part. 364 Extruded chain guide profiles for flat 30x3 mm. supplied in 3 Mt. Lengths



Code
364 / 83720

MATERIALS: Extruded UHMWPE green colour.
BOX QUANTITY: This item is sold in Mt. - Min. 6 Mt. (2 lengths).
ON REQUEST:
• Guide profiles: Different colours and lengths.

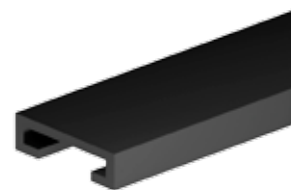
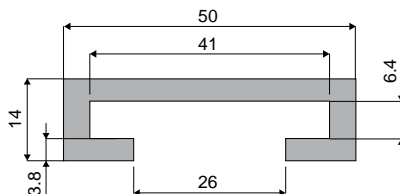
Chain guides and accessories

Extruded chain guide profiles for flat 40x6 mm. supplied in 3 / 6 Mt. Lengths

Part. **365**

Code	Length
365 / 84087	3 Mt.
365 / 83721	6 Mt.

NEW



MATERIALS: Extruded UHMWPE black colour.

BOX QUANTITY:

- 3 Mt. lengths version: This item is sold in Mt. - Min. 6 Mt. (2 lengths);
- 6 Mt. lengths version: This item is sold in Mt. - Min. 12 Mt. (2 lengths).

ON REQUEST:

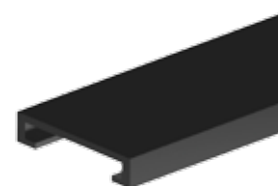
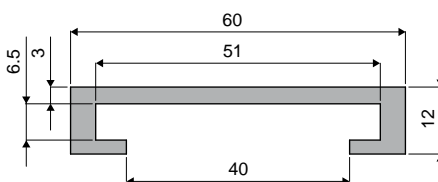
- Guide profiles: Different colours and lengths.

Extruded chain guide profiles for flat 50x6 mm. supplied in 3 / 6 Mt. Lengths

Part. **366**

Code	Length
366 / 84239	3 Mt.
366 / 83722	6 Mt.

NEW



MATERIALS: Extruded UHMWPE black colour.

BOX QUANTITY:

- 3 Mt. lengths version: This item is sold in Mt. - Min. 6 Mt. (2 lengths);
- 6 Mt. lengths version: This item is sold in Mt. - Min. 12 Mt. (2 lengths).

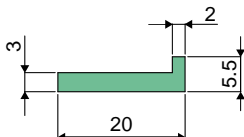
ON REQUEST:

- Guide profiles: Different colours and lengths.

Extruded chain guide profiles supplied in coils of 60 Mt.

Part. **367**

Code
367 / 83723



MATERIALS: Extruded UHMWPE green colour.

BOX QUANTITY: This item is sold in Mt. - Min. 60 Mt.

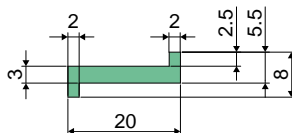
ON REQUEST:

- Guide profiles: Different colours and lengths.

Extruded chain guide profiles supplied in coils of 60 Mt.

Part. **368**

Code
368 / 83724



MATERIALS: Extruded UHMWPE green colour.

BOX QUANTITY: This item is sold in Mt. - Min. 60 Mt.

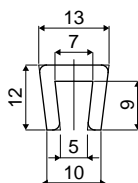
ON REQUEST:

- Guide profiles: Different colours and lengths.

Extruded chain guide profiles supplied in coils of 50 Mt. For plates from 6 to 7 mm.

Part. **369**

Code
369 / 83725

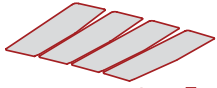


MATERIALS: Extruded UHMWPE white colour.

BOX QUANTITY: This item is sold in Mt. - Min. 50 Mt.

ON REQUEST:

- Guide profiles: Different colours and lengths.



Special products



Part	Pag.
700	155
701	154
702	154
703	154
704	155
705	158
706	158
707	158
710	156
711	156
713	157
Corner tracks	159
Straight tracks	159

The products shown in this part are available only on request

Chains and accessories

				
Part. 701 pag. 154	Part. 702 pag. 154	Part. 703 pag. 154	Part. 700 pag. 155	Part. 704 pag. 155
				
Part. 710 pag. 156	Part. 711 pag. 156	Part. 713 pag. 157	Part. 705 pag. 158	Part. 706 pag. 158
				
Part. 707 pag. 158				

Corner and straight tracks

	
Corner tracks pag. 159	Straight tracks pag. 159

Chains and accessories

Part. 701 Sideflex chain



Code
701 / 84203

MATERIALS: Top plate made of grey acetal and roller chain made of steel.

FEATURES: To be used in the conveyor systems.

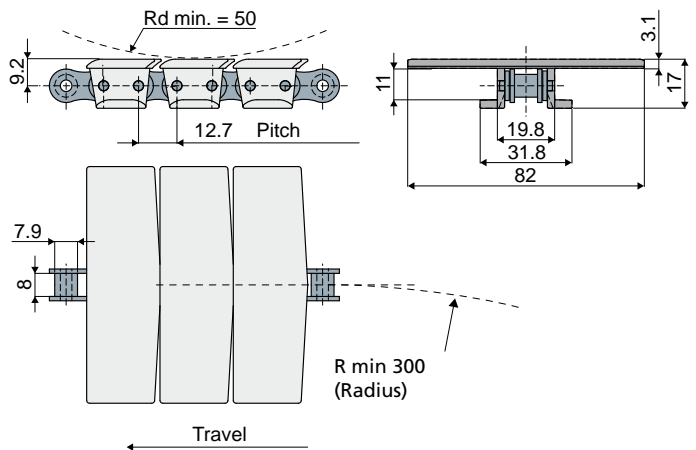
BOX QUANTITY: 3,05 meters.

ON REQUEST:

- Top plates: In polypropylene, different colours.
- Box quantity: According to your request.

ACCESSORIES:

- Sprockets: Unified for chains type ASA 40.



Part. 702 Top plate (for Part. 701)



Code
702 / 84205

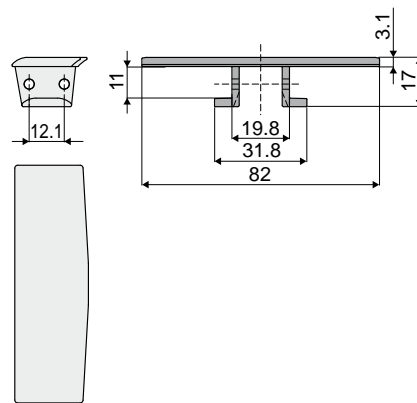
MATERIALS: Top plate made of grey acetal.

FEATURES: To be used as spare part for Part.701; mounting with roller chains type ASA 40 Sidebow.

BOX QUANTITY: 24 pieces.

ON REQUEST:

- Top plates: In polypropylene, different colours.
- Box quantity: According to your request.



Part. 703 Roller chain (for Part. 701)

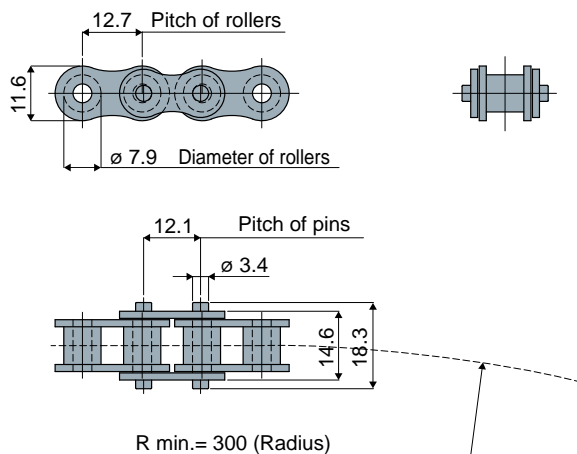


Code
703 / 84206

MATERIALS: Roller chain made of steel.

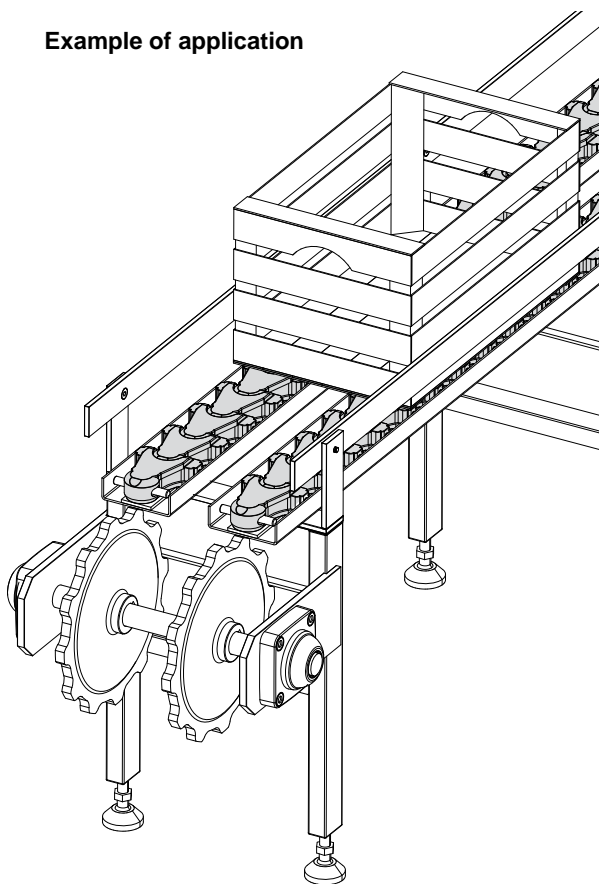
FEATURES: Chain type ASA 40 Sidebow, to be used as spare part for chain Part.701.

BOX QUANTITY: 3,05 meters.



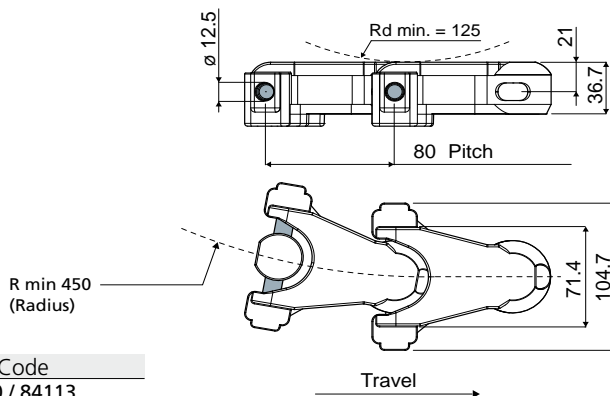
Chains and accessories

Example of application



Cardanic chain Part. 700

(sideflexing for important loads; pitch 80 mm)



Code
700 / 84113

MATERIALS: Chain made of natural acetal; notch made of polyamide; pin made of stainless steel AISI 430.

FEATURES: To be used in the conveyor systems; for important loads (breaking load: 19600 N).

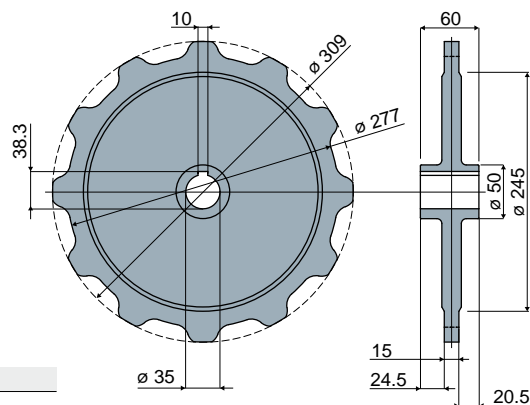
BOX QUANTITY: 3,040 meters.

ON REQUEST:

- Chains: In different colours.
- Box quantity: According to your request.

Sprocket T12 Part. 704

(for cardanic chain Part. 700)



Code
704 / 84207

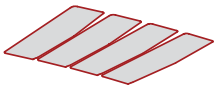
MATERIALS: Sprockets in zinc plated steel.

FEATURES: To be used with chain Part.700.

BOX QUANTITY: 2 pieces.

ON REQUEST:

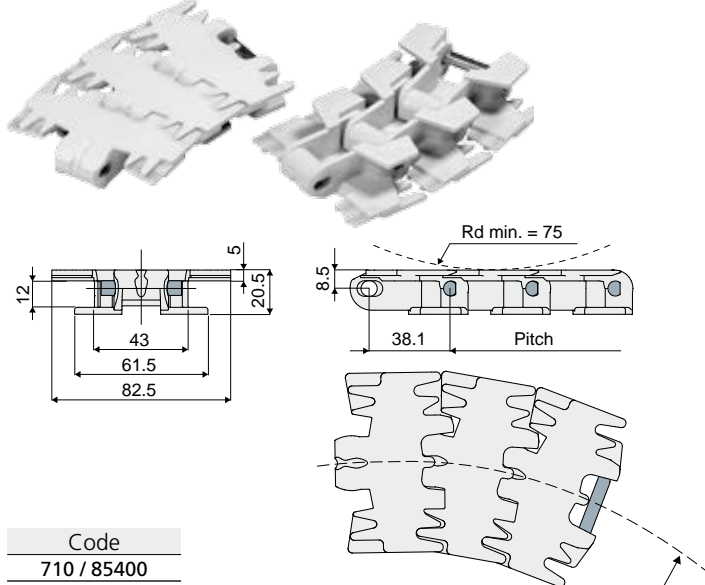
- Sprockets: In different materials.
- Box quantity: According to your request.



Chains and accessories

Part. **710**

Sideflex chain
(879 TAB Safety Finger)



Code
710 / 85400

MATERIALS: Top plates made of white colour acetal; pins made of stainless steel AISI 304.

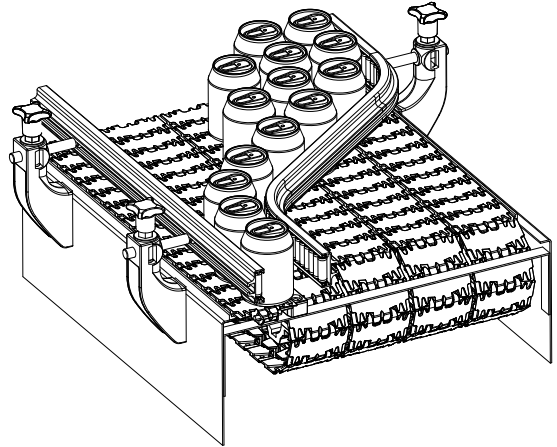
FEATURES: To be used with wheels: Part.310, 457, 456, 455, 454, 458, 459. Max. working load: 2100 N.

BOX QUANTITY: 3,05 Mt.

ON REQUEST:

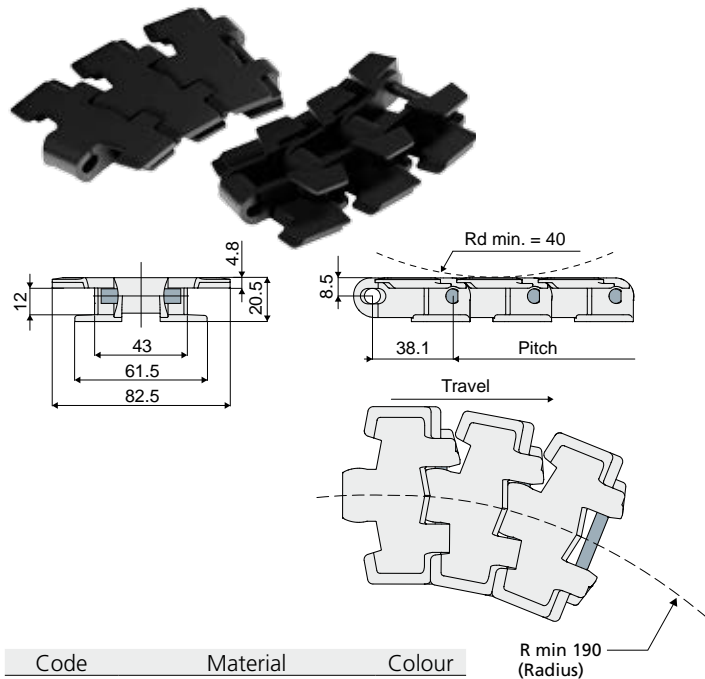
- Top plates: In different materials; other colours.
- Box quantity: According to your request.

Example of application



Part. **711**

Sideflex chain
(879 TAB BO)



Code	Material	Colour
711 / 86729	Acetal	Brown
711 / 86730	PA + auto-lubricating additive	Black

MATERIALS: Top plates in brown colour acetal or in black colour polyamide with auto-lubricating additive; pins in stainless steel AISI 304.

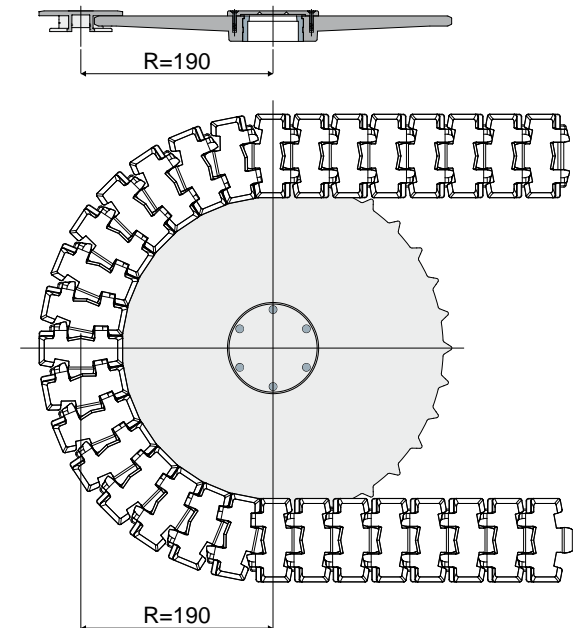
FEATURES: To be used with wheels: Part.310, 457, 456, 455, 454, 458, 459. Max. working load: 2100 N.

BOX QUANTITY: 3,05 Mt.

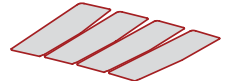
ON REQUEST:

- Top plates: In different materials; other colours.
- Box quantity: According to your request.

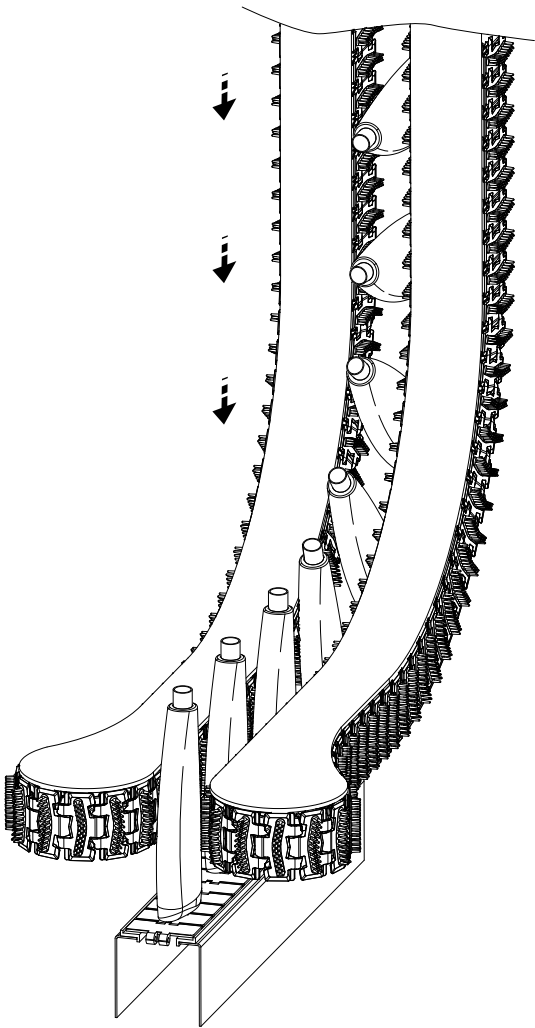
Example of application



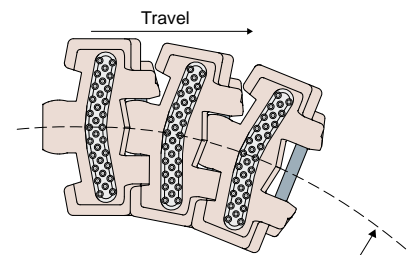
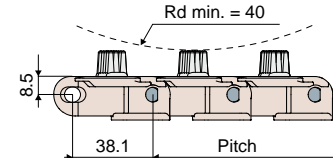
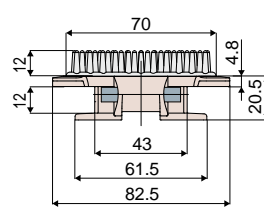
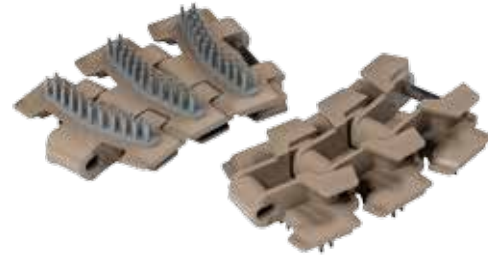
Chains and accessories



Example of application



Sideflex chain with rubber top (879 TAB BO)



Code
713 / 87153

MATERIALS: Top plates in brown colour acetal; grey colour thermoplastic rubber; pins in stainless steel AISI 304.

FEATURES: To be used with wheels:

Part.310, 457, 456, 455, 454, 458, 459; ideal for elevators. Max. working load: 2100 N.

BOX QUANTITY: 3,05 Mt.

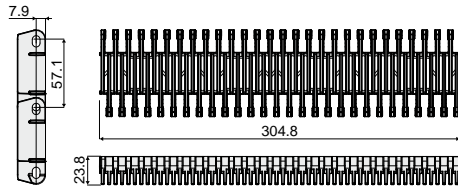
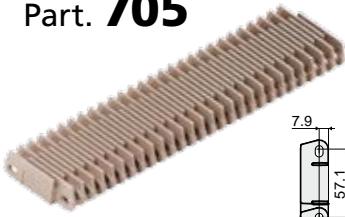
ON REQUEST:

- Top plates: In different materials; other colours.
- Box quantity: According to your request.

Chains and accessories

Part. 705

Loose link for belt



Code
705 / 84208

MATERIALS: Loose links in light brown polypropylene.

FEATURES:

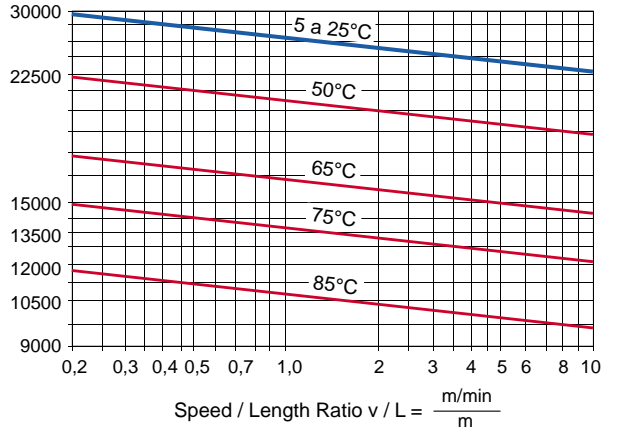
- Use: Perfect for use in the food industry, it guarantees a uniform conveyor surface.
- Max working load: 29200 N/m (1 mt. belt at + 20°C).
- Working temperature: from +5°C to +105°C.
- Open surface: 34%
- Assembly: with a pin diameter 6 mm (not supplied).

BOX QUANTITY: 24 pieces.

ON REQUEST:

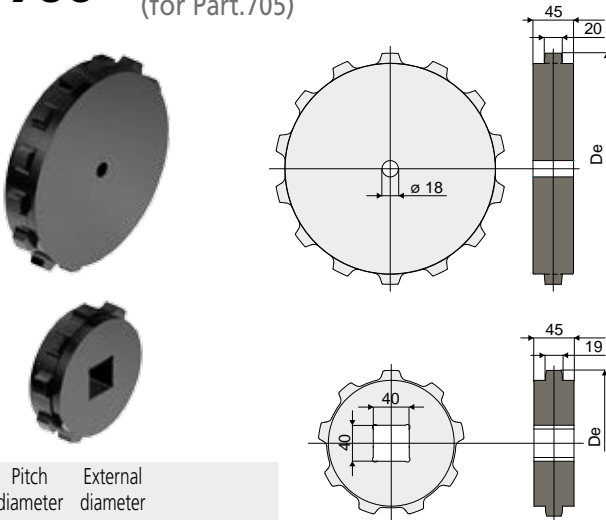
- Loose links: In acetal.
- Belts: Supplied assembled in different sizes.
- Transfer combs: On request.
- Box quantity: According to your request.

Max working load (N / m)



Part. 706

Sprocket / Idler wheel (for Part.705)



N. teeth	Pitch diameter	External diameter	Code
	Dp (mm)	De (mm)	
14	256,82	256,5	706 / 84209
9	167,08	164,1	706 / 85850

MATERIALS: Sprockets in black polyamide.

FEATURES: To be used with modular belts Part.705.

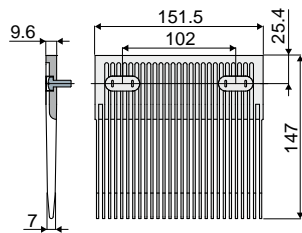
BOX QUANTITY: 2 pieces.

ON REQUEST:

- Box quantity: According to your request.

Part. 707

Transfer comb (for Part.705)



Code
707 / 88703

MATERIALS: Comb and screws caps in light brown polypropylene, M6 screws in stainless steel.

FEATURES: To be used with modular belts Part. 705.

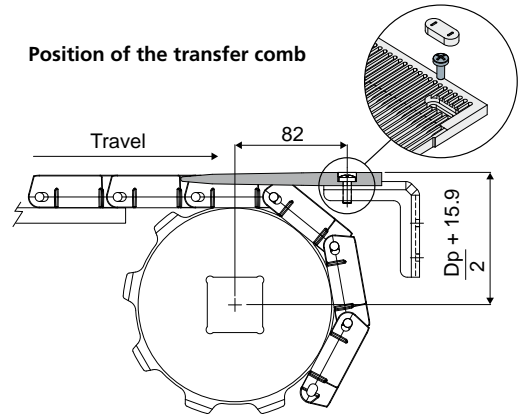
The type of mounting depends on the operating temperatures.

BOX QUANTITY: 8 pieces.

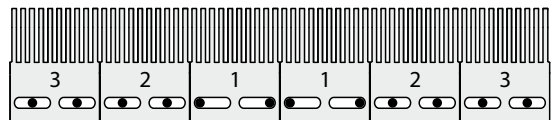
ON REQUEST:

- Box quantity: According to your request.

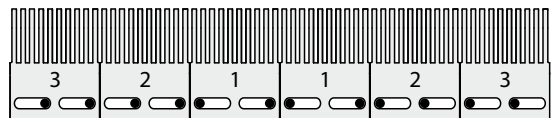
Position of the transfer comb



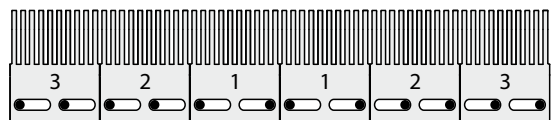
Assembly at room temperature (20° C)



Low temperature assembly

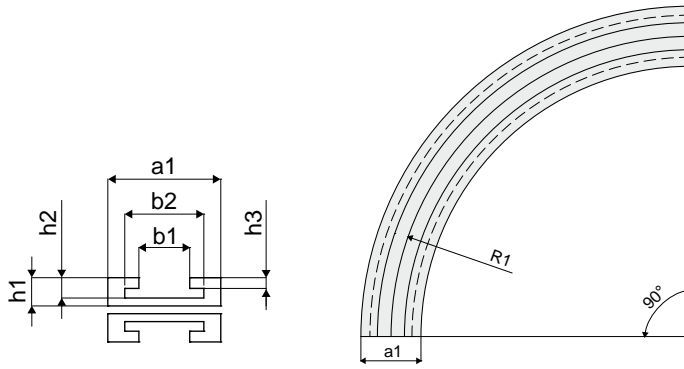


High temperature assembly



Center of the chain

Corner and straight tracks



Corner tracks



Chain type	Chain width	R1 (mm)	a1 (mm)	b1 (mm)	b2 (mm)	h1 (mm)	h2 (mm)	h3 (mm)	Track type	Material	Cod. Tecom
879TAB-K325	82,5	500	100	45	70	25	18	9,5	Carry Return	PE 1000 PE 500	83445 83446
880TAB-K325											
881TAB-K325											
8811TAB-K325											
879TAB-K450	114,3	610	125	45	70	25	18	9,5	Carry Return	PE 1000 PE 500	83449 83450
880TAB-K450											
880TAB-K454											
881TAB-K450											
8811TAB-K450											
881TAB-K750	190,5	610	200	45	70	25	18	9,5	Carry Return	PE 1000 PE 500	83451 83452
8811TAB-K750											

MATERIALS: Upper parts in PE 1000, black colour and bottom parts in PE 500 black colour.

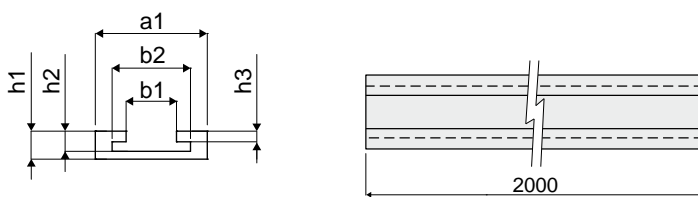
FEATURES: To be used to drive the chain in the corner sections.

BOX QUANTITY: 2 pieces.

ON REQUEST:

- **Corner tracks:** Magnetic, with different molecular weight; customised sizes.
- **Box quantity:** According to your request.

Straight tracks



Chain type	Chain width	a1 (mm)	b1 (mm)	b2 (mm)	h1 (mm)	h2 (mm)	h3 (mm)	Material	Cod. Tecom
879TAB-K325	82,5	100	45	70	25	18	9,5	PE 500	83652
879BO-K325									
880TAB-K325									
881TAB-K325									
8811TAB-K325									
879TAB-K450	114,3	125	45	70	25	18	9,5	PE 500	83653
879BO-K450									
880TAB-K450									
881TAB-K450									
8811TAB-K450									

MATERIALS: Straight tracks in PE 500 black colour.

FEATURES: To be used to drive the chain in the straight sections.

BOX QUANTITY: 2 pieces.

ON REQUEST:










- **Straight tracks:** With different molecular weight, customised sizes.
- **Box quantity:** According to your request.












Self-aligning bearing supports

Serie	Pag.	Serie	Pag.	Serie	Pag.	Serie	Pag.	Serie	Pag.	Serie	Pag.
F.....	174	MUCFL/CS.....	186	UCFC.....	230	UCFL.....	184	UCP.....	208	UCT.....	224
FL.....	192	MUCFL/CX.....	182	UCF/CA.....	170	UCFL/C.....	180	UCPA.....	218	UCT/C.....	220
MUCF.....	166	UCF.....	166	UCFC/C.....	226	UCFL/C.....	194	UCPA/C.....	214	UCT/CX.....	222
MUCF/C.....	162	UCFB.....	202	UCFC/CX.....	228	UCFL/CA.....	188	UCPA/CX.....	216		
MUCF/CS.....	168	UCFB/C.....	198	UCF/CS.....	168	UCFL/CS.....	186	UCP/C.....	204		
MUCF/CX.....	164	UCFB/CX.....	200	UCF/CX.....	164	UCFL/CX.....	182	UCP/C.....	210		
MUCFL.....	184	UCF/C.....	162	UCF/CX.....	178	UCFL/CX.....	196	UCP/CX.....	206		
MUCFL/C.....	180	UCF/C.....	176	UCF/CXA.....	172	UCFL/CXA.....	190	UCP/CX.....	212		

Square flanged bearing supports

 Serie UCF/C Serie MUCF/C pag. 162 pag. 162	<div style="background-color: red; color: white; padding: 2px; transform: rotate(-45deg); display: inline-block;">New</div>  Serie UCF/CX Serie MUCF/CX pag. 164 pag. 164	<div style="background-color: red; color: white; padding: 2px; transform: rotate(-45deg); display: inline-block;">New</div>  Serie UCF Serie MUCF pag. 166 pag. 166	 Serie UCF/CS Serie MUCF/CS pag. 168 pag. 168
 Serie UCF/CA pag. 170	<div style="background-color: red; color: white; padding: 2px; transform: rotate(-45deg); display: inline-block;">New</div>  Serie UCF/CXA pag. 172	 Serie F pag. 174	<div style="background-color: red; color: white; padding: 2px; transform: rotate(-45deg); display: inline-block;">New</div>  Serie UCF/C pag. 176
<div style="background-color: red; color: white; padding: 2px; transform: rotate(-45deg); display: inline-block;">New</div>  Serie UCF/CX pag. 178			

Oval flanged bearing supports

 Serie UCFL/C Serie MUCFL/C pag. 180 pag. 180	<div style="background-color: red; color: white; padding: 2px; transform: rotate(-45deg); display: inline-block;">New</div>  Serie UCFL/CX Serie MUCFL/CX pag. 182 pag. 182	<div style="background-color: red; color: white; padding: 2px; transform: rotate(-45deg); display: inline-block;">New</div>  Serie UCFL Serie MUCFL pag. 184 pag. 184	 Serie UCFL/CS Serie MUCFL/CS pag. 186 pag. 186
 Serie UCFL/CA pag. 188	<div style="background-color: red; color: white; padding: 2px; transform: rotate(-45deg); display: inline-block;">New</div>  Serie UCFL/CXA pag. 190	 Serie FL pag. 192	<div style="background-color: red; color: white; padding: 2px; transform: rotate(-45deg); display: inline-block;">New</div>  Serie UCFL/C pag. 194
<div style="background-color: red; color: white; padding: 2px; transform: rotate(-45deg); display: inline-block;">New</div>  Serie U			



Side flanged bearing supports

 <p>Serie UCFB/C pag. 198</p>	<p>New</p>  <p>Serie UCFB/CX pag. 200</p>	<p>New</p>  <p>Serie UCFB pag. 202</p>
--	---	--

Pillow Blocks

 <p>Serie UCP/C pag. 204</p>	<p>New</p>  <p>Serie UCP/CX pag. 206</p>	<p>New</p>  <p>Serie UCP pag. 208</p>
<p>New</p>  <p>Serie UCP/C pag. 210</p>	<p>New</p>  <p>Serie UCP/CX pag. 212</p>	

Compact Pillow Blocks

 <p>Serie UCPA/C pag. 214</p>	<p>New</p>  <p>Serie UCPA/CX pag. 216</p>	<p>New</p>  <p>Serie UCPA pag. 218</p>
--	---	--

Take-up bearing supports

 <p>Serie UCT/C pag. 220</p>	<p>New</p>  <p>Serie UCT/CX pag. 222</p>	<p>New</p>  <p>Serie UCT pag. 224</p>
---	--	---

Round flanged bearing supports

 <p>Serie UCFC/C pag. 226</p>	<p>New</p>  <p>Serie UCFC/CX pag. 228</p>	<p>New</p>  <p>Serie UCFC pag. 230</p>
--	---	--

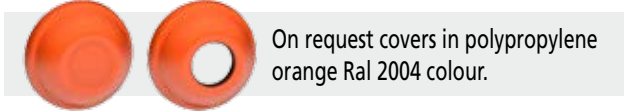


Square flanged bearing supports

Serie **UCF/C**
Serie **MUCF/C**



On request covers in polypropylene blue Ral 5015 colour.

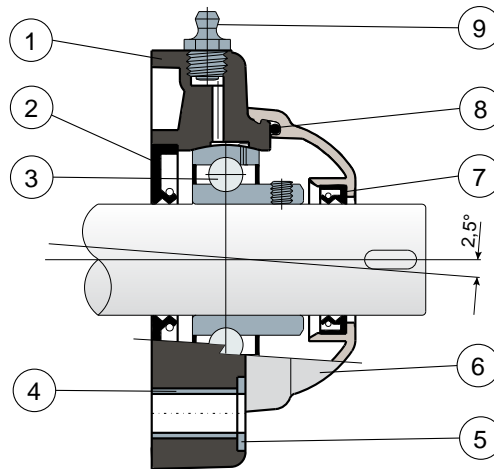


On request covers in polypropylene orange Ral 2004 colour.



On request covers in polypropylene red Ral 3000 colour.

Full protection of bearing



- 1) Housing made out of black or white colour polyamide reinforced with glass fibers.
- 2) Back gasket made out of NBR rubber for turning shaft seal.
- 3) Chrome steel or stainless steel bearing AISI 440.
- 4) Spacer for fixing reinforcement made out of stainless steel AISI 304.
- 5) UNI 6592 support washer made out of stainless steel AISI 304.
- 6) Protection cover made out of polypropylene (grey colour Ral 7042).
- 7) Front gasket made out of NBR rubber for turning shaft seal.
- 8) OR gasket made out of NBR rubber.
- 9) Greaser, straight type with 1/8 gas thread, made out of nickel-plated brass.

Support dimensions respect ISO 3228 set of rules

Maximum shaft alignment error 2,5°

For further information please contact our technical office or sales department.

MATERIALS: Housing is made out of PA + glass fiber in black or white colours; chrome steel or stainless steel bearing; greaser made out of nickel plated brass; reinforcement bushings and washers made out of stainless steel AISI 304; gaskets made out of NBR rubber; cover made out of grey RAL 7042 colour polypropylene.

FEATURES: Full protection of bearing against external agents. Assembly with not shouldered shafts. Maximum shaft alignment error 2.5°.

BOX QUANTITY: 8 pieces.

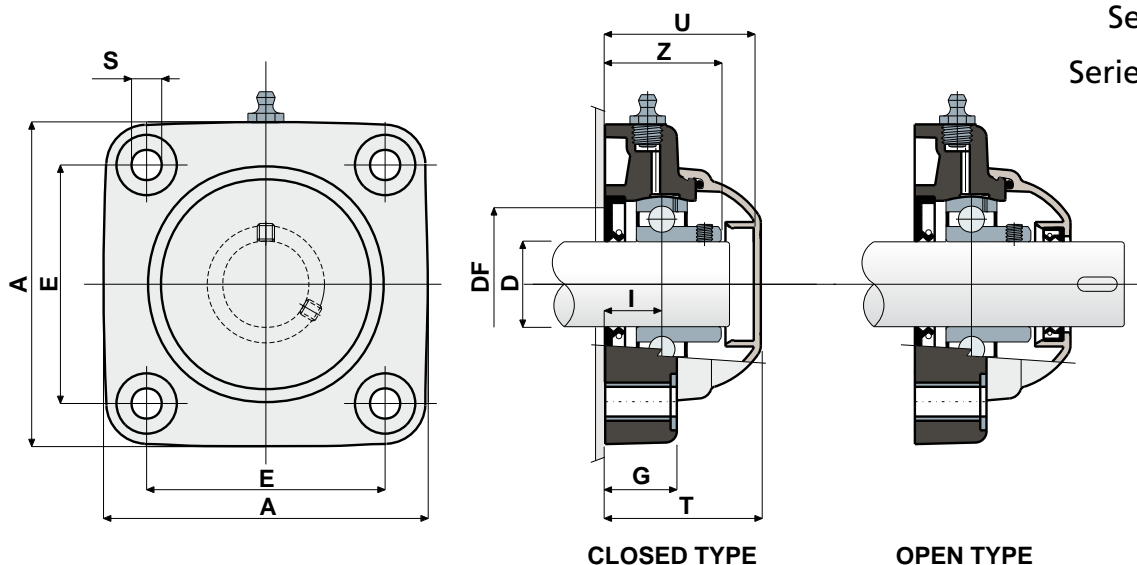
ON REQUEST: Versions with body in polypropylene + glass fiber and antibacterial additive; supports with eccentric collar shaft locking with chrome steel bearing; protection cover in different colours and with customized brand; box quantity according to your request; Viton gaskets, "Long life" bearings.



Square flanged bearing supports

Technical data

Serie **UCF/C**
Serie **MUCF/C**



CHROME STEEL BEARING																		
D	SERIE	CODES				DIMENSIONS (mm)										Bearing load (N)		Bearing support load (N)
		Black		White		E	A	S	G	I	Z	U	T	DF		C	CO	
		Closed	Open	Closed	Open									Max	Min			
20	UCF 204 C	80248	80249	84580	84581	63,5	90	10,5	19	15,5	33,5	44	46,5	45	40	12800	6600	16500
25	UCF 205 C	80057	80060	84582	84583	70	99,5	10,5	22	17,4	37	47	49,5	50	45	14000	7800	17000
30	UCF 206 C	80009	80005	84584	84585	83	113	10,5	26	20,7	41	52,5	55	60	50	19500	11300	17500
30	MUCF 206 C	84038	84039	84586	84587	83	113	10,5	26	20,7	41	65	68	60	50	19500	11300	17500
35	UCF 207 C	80058	80061	84588	84589	92	122	10,5	26	20	45	57	59	70	55	25500	15300	18000
35	MUCF 207 C	82549	82392	84590	84591	83	113	10,5	26	20	45	65	68	70	55	25500	15300	18000
40	UCF 208 C	80250	80251	84592	84593	102	133	10,5	26	19,5	48,5	65	68	78	65	32500	19800	18000
40	MUCF 208 C	80697	80699	84594	84595	83	113	10,5	26	19,5	48,5	65	68	78	65	32500	19800	18000

STAINLESS STEEL BEARING AISI 440																		
D	SERIE	CODES				DIMENSIONS (mm)										Bearing load (N)		Bearing support load (N)
		Black		White		E	A	S	G	I	Z	U	T	DF		C	CO	
		Closed	Open	Closed	Open									Max	Min			
20	UCF 204 C	80400	80448	84596	84597	63,5	90	10,5	19	15,5	33,5	44	46,5	45	40	8300	6600	16500
25	UCF 205 C	80445	80449	84598	84599	70	99,5	10,5	22	17,4	37	47	49,5	50	45	9150	7800	17000
30	UCF 206 C	80378	80377	84600	84601	83	113	10,5	26	20,7	41	52,5	55	60	50	12500	11200	17500
30	MUCF 206 C	84040	84041	84602	84603	83	113	10,5	26	20,7	41	65	68	60	50	12500	11200	17500
35	UCF 207 C	80446	80450	84604	84605	92	122	10,5	26	20	45	57	59	70	55	16600	15300	18000
35	MUCF 207 C	83467	83466	84606	84607	83	113	10,5	26	20	45	65	68	70	55	16600	15300	18000
40	UCF 208 C	80447	80451	84608	84609	102	133	10,5	26	19,5	48,5	65	68	78	65	20000	19000	18000
40	MUCF 208 C	81057	81058	84610	84611	83	113	10,5	26	19,5	48,5	65	68	78	65	20000	19000	18000

VERSIONS WITH MEASURES IN INCHES

CHROME STEEL BEARING																			
D	SERIE	CODES				DIMENSIONS (mm)										Bearing load (N)		Bearing support load (N)	
		Black		White		E	A	S	G	I	Z	U	T	DF		C	CO		
		(inches)	(mm)	Closed	Open									Closed	Open				Max
1"	25,4	UCF 205 C	84500	84490	84875	84876	70	99,5	10,5	22	17,4	37	47	49,5	50	45	14000	7800	17000
1"1/4	31,75	UCF 206 C	84501	84491	84877	84878	83	113	10,5	26	20,7	41	52,5	55	60	50	19500	11300	17500
1"1/4	31,75	MUCF 206 C	84502	84492	85180	85181	83	113	10,5	26	20,7	41	65	68	60	50	19500	11300	17500

Self-aligning bearings with Solid body: completely closed surface to guarantee the max hygiene.

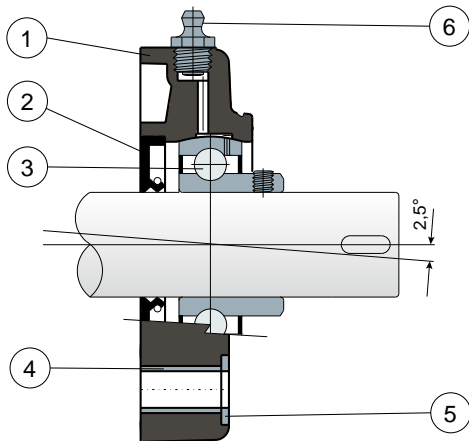


Square flanged bearing supports

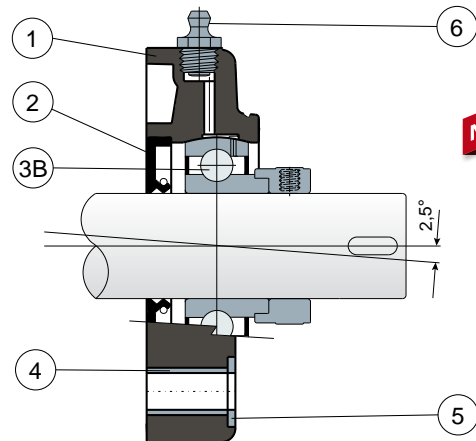
Serie **UCF/CX**
Serie **MUCF/CX**



Grub screws shaft locking - Without protection cover



Eccentric collar shaft locking - Without protection cover



- 1) Housing made out of black, white or blue Ral 5005 colour polyamide reinforced with glass fibers.
- 2) Back gasket made out of NBR rubber for turning shaft seal.
- 3) Chrome steel or stainless steel bearing AISI 440.
- 3B) Chrome steel bearing.
- 4) Spacer for fixing reinforcement made out of stainless steel AISI 304.
- 5) UNI 6592 support washer made out of stainless steel AISI 304.
- 6) Greaser, straight type with 1/8 gas thread, made out of nickel-plated brass.

NOTE: The only difference from UCF/C series is lack of protection cover, which can be ordered separately as an accessory.

Support dimensions respect ISO 3228 set of rules.

Maximum shaft alignment error 2,5°

For further information please contact our technical office or sales department.

MATERIALS: Housing is made out of PA + glass fiber in black, white or blue Ral 5005 colours; bearing with grub screws shaft locking in chrome steel or stainless steel; bearing with eccentric collar shaft locking in chrome steel; greaser made out of nickel plated brass; reinforcement bushings and washers made out of stainless steel AISI 304; gaskets made out of NBR rubber; cover made out of polypropylene grey Ral 7042, blue Ral 5015, orange Ral 2004 or red Ral 3000 colour.

FEATURES: The difference from UCF/C series is lack of protection cover which can be ordered separately as an accessory. Assembly with not shouldered shafts. Maximum shaft alignment error 2.5°.

BOX QUANTITY: 8 pieces.

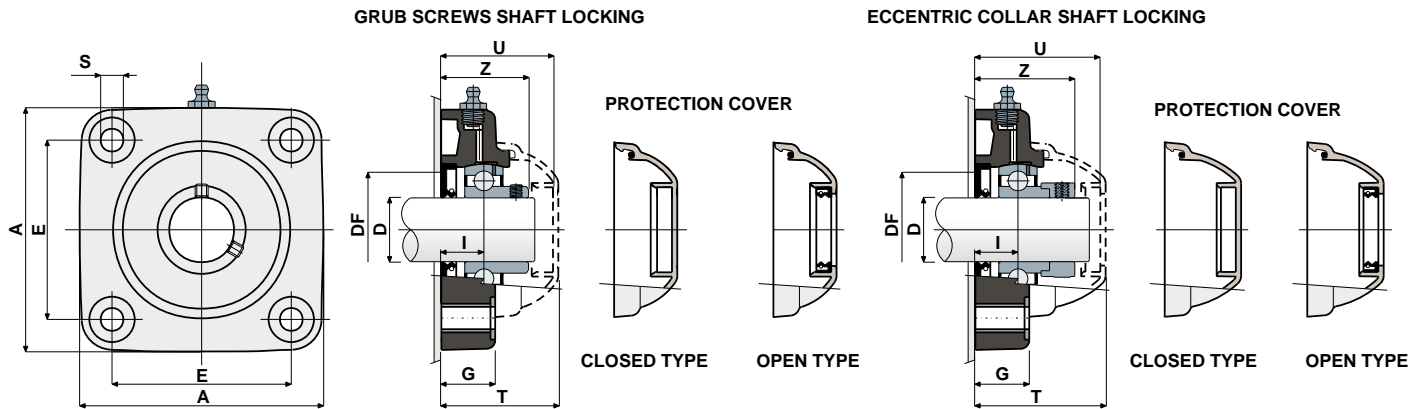
ON REQUEST: Versions with body in polypropylene + glass fiber and antibacterial additive; protection cover in different colours and with customized brand; box quantity according to your request; Viton gaskets, "Long life" bearings.



Square flanged bearing supports

Technical data

Serie **UCF/CX**
Serie **MUCF/CX**



GRUB SCREWS SHAFT LOCKING

D	SERIE	CHROME STEEL BEARING											COVER CODES												
		Support CODES			DIMENSIONS (mm)								Bearing load (N)	Bearing support load	GREY RAL 7042		BLUE RAL 5015		ORANGE RAL 2004		RED RAL 3000				
		Black	White	Blue Ral 5005	E	A	S	G	I	Z	U	T	DF Max Min	C	CO	(N)	Closed	Open	Closed	Open	Closed	Open	Closed	Open	
20	UCF 204 CX	80252	84612	87440	63,5	90	10,5	19	15,5	33,5	44	46,5	45	40	12800	6600	16500	80254	80255	87259	83901	82305	82306	87540	87541
25	UCF 205 CX	80175	84613	87436	70	99,5	10,5	22	17,4	37	47	49,5	50	45	14000	7800	17000	80075	80076	85384	85385	82276	82277	87542	87543
30	UCF 206 CX	80176	84614	87437	83	113	10,5	26	20,7	41	52,5	55	60	50	19500	11300	17500	80011	80053	84100	80354	82278	82279	87531	87530
30	MUCF 206 CX	80789	84615	87673	83	113	10,5	26	20,7	41	65	68	60	50	19500	11300	17500	80256	80494	83088	87271	82280	87555	87528	87569
35	UCF 207 CX	80177	84616	87438	92	122	10,5	26	20	45	57	59	70	55	25500	15300	18000	80077	80078	80969	80275	82284	82285	87544	87545
35	MUCF 207 CX	83462	84617	87674	83	113	10,5	26	20	45	65	68	70	55	25500	15300	18000	80256	80495	83088	87277	82280	87557	87528	87529
40	UCF 208 CX	80253	84618	87439	102	133	10,5	26	19,5	48,5	65	68	78	65	32500	19800	18000	80256	80257	83088	86722	82280	82281	87528	82804
40	MUCF 208 CX	80701	84619	87675	83	113	10,5	26	19,5	48,5	65	68	78	65	32500	19800	18000	80256	80257	83088	86722	82280	82281	87528	82804

ECCENTRIC COLLAR SHAFT LOCKING

D	SERIE	CHROME STEEL BEARING											COVER CODES						
		Support CODES			DIMENSIONS (mm)								Bearing load (N)	Bearing support load	GREY RAL 7042				
		Black	White	Blue Ral 5005	E	A	S	G	I	Z	U	T	DF Max Min	C	CO	(N)	Closed	Open	
20	UCF 204 CX	88440	88448	88456	63,5	90	10,5	19	15,5	39	51	53,5	45	40	12800	6600	16500	88371	88372
25	UCF 205 CX	88441	88449	88457	70	99,5	10,5	22	17,4	40,9	52,9	55,4	50	45	14000	7800	17000	88373	88374
30	UCF 206 CX	88442	88450	88458	83	113	10,5	26	20,7	47,4	59,4	61,9	60	50	19500	11300	17500	88375	88376
30	MUCF 206 CX	88443	88451	88459	83	113	10,5	26	20,7	47,4	65	68	60	50	19500	11300	17500	80256	80494
35	UCF 207 CX	88444	88452	88460	92	122	10,5	26	20	49,3	61,3	63,8	70	55	25500	15300	18000	88377	88378
35	MUCF 207 CX	88445	88453	88461	83	113	10,5	26	20	49,3	65	68	70	55	25500	15300	18000	80256	80495
40	UCF 208 CX	88446	88454	88462	102	133	10,5	26	19,5	52,2	65	68	78	65	32500	19800	18000	80256	80257
40	MUCF 208 CX	88447	88455	88463	83	113	10,5	26	19,5	52,2	65	68	78	65	32500	19800	18000	80256	80257



GRUB SCREWS SHAFT LOCKING

D	SERIE	STAINLESS STEEL BEARING AISI 440											COVER CODES												
		Support CODES			DIMENSIONS (mm)								Bearing load (N)	Bearing support load	GREY RAL 7042		BLUE RAL 5015		ORANGE RAL 2004		RED RAL 3000				
		Black	White	Blue Ral 5005	E	A	S	G	I	Z	U	T	DF Max Min	C	CO	(N)	Closed	Open	Closed	Open	Closed	Open	Closed	Open	
20	UCF 204 CX	81047	84620	87668	63,5	90	10,5	19	15,5	33,5	44	46,5	45	40	8300	6600	16500	80254	80255	87259	83901	82305	82306	87540	87541
25	UCF 205 CX	81049	84621	87669	70	99,5	10,5	22	17,4	37	47	49,5	50	45	9150	7800	17000	80075	80076	85384	85385	82276	82277	87542	87543
30	UCF 206 CX	81050	84622	87670	83	113	10,5	26	20,7	41	52,5	55	60	50	12500	11200	17500	80011	80053	84100	80354	82278	82279	87531	87530
30	MUCF 206 CX	84042	84623	87676	83	113	10,5	26	20,7	41	65	68	60	50	12500	11200	17500	80256	80494	83088	87271	82280	87555	87528	87569
35	UCF 207 CX	81051	84624	87671	92	122	10,5	26	20	45	57	59	70	55	16600	15300	18000	80077	80078	80969	80275	82284	82285	87544	87545
35	MUCF 207 CX	82404	84625	87677	83	113	10,5	26	20	45	65	68	70	55	16600	15300	18000	80256	80495	83088	87277	82280	87557	87528	87529
40	UCF 208 CX	80561	84626	87672	102	133	10,5	26	19,5	48,5	65	68	78	65	20000	19000	18000	80256	80257	83088	86722	82280	82281	87528	82804
40	MUCF 208 CX	81043	84627	87678	83	113	10,5	26	19,5	48,5	65	68	78	65	20000	19000	18000	80256	80257	83088	86722	82280	82281	87528	82804

GRUB SCREWS SHAFT LOCKING - VERSIONS WITH MEASURES IN INCHES

D (inches) (mm)	SERIE	CHROME STEEL BEARING											COVER CODES												
		Support CODES			DIMENSIONS (mm)								Bearing load (N)	Bearing support load	GREY RAL 7042		BLUE RAL 5015		ORANGE RAL 2004		RED RAL 3000				
		Black	White	Blue Ral 5005	E	A	S	G	I	Z	U	T	DF Max Min	C	CO	(N)	Closed	Open	Closed	Open	Closed	Open	Closed	Open	
1" (25,4)	UCF 205 CX	84493	84883	87679	70	99,5	10,5	22	17,4	37	47	49,5	50	45	14000	7800	17000	80075	85202	85384	87273	82276	87660	87542	87663
1 1/4" (31,75)	UCF 206 CX	84494	84884	87680	83	113	10,5	26	20,7	41	52,5	55	60	50	19500	11300	17500	80011	85203	84100	87274	82278	87661	87531	87664
1 1/4" (31,75)	MUCF 206 CX	84495	85182	87681	83	113	10,5	26	20,7	41	65	68	60	50	19500	11300	17500	80256	85204	83088	87275	82280	87662	87528	87665



Self-aligning bearings with Solid body: completely closed surface to guarantee the max hygiene.



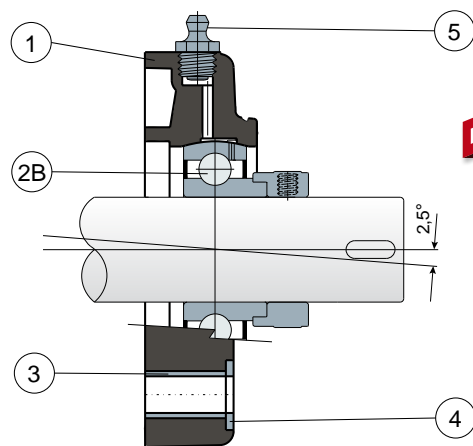
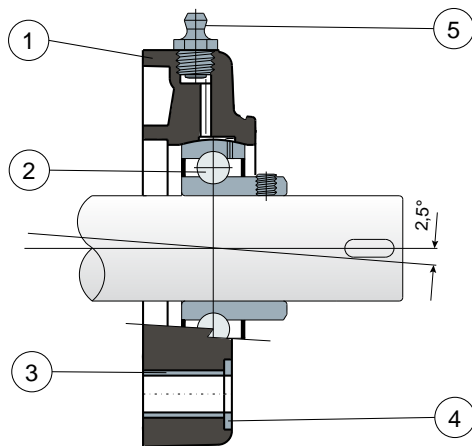
Square flanged bearing supports

Serie **UCF**
Serie **MUCF**



Grub screws shaft locking - Without cover and back gasket

Eccentric collar shaft locking - Without cover and back gasket



- 1) Housing made out of black, white or blue Ral 5005 colour polyamide reinforced with glass fibers.
- 2) Chrome steel or stainless steel bearing AISI 440.
- 2B) Chrome steel bearing.
- 3) Spacer for fixing reinforcement made out of stainless steel AISI 304.
- 4) UNI 6592 support washer made out of stainless steel AISI 304.
- 5) Greaser, straight type with 1/8 gas thread, made out of nickel-plated brass.

NOTE: The only difference from UCF/C series is lack of back gasket and protection cover, which can be ordered separately as accessories.

Support dimensions respect ISO 3228 set of rules.

Maximum shaft alignment error 2,5°

For further information please contact our technical office or sales department.

MATERIALS: Housing is made out of PA + glass fiber in black, white or blue Ral 5005 colours; bearing with grub screws shaft locking in chrome steel or stainless steel; bearing with eccentric collar shaft locking in chrome steel; greaser made out of nickel plated brass; reinforcement bushings and washers made out of stainless steel AISI 304; gaskets made out of NBR rubber; cover made out of polypropylene grey Ral 7042, blue Ral 5015, orange Ral 2004 or red Ral 3000 colour.

FEATURES: The difference from UCF/C series is lack of back gasket and protection cover, which can be ordered separately as accessories. Assembly with shouldered and not shouldered shafts. Maximum shaft alignment error 2.5°.

BOX QUANTITY: 8 pieces.

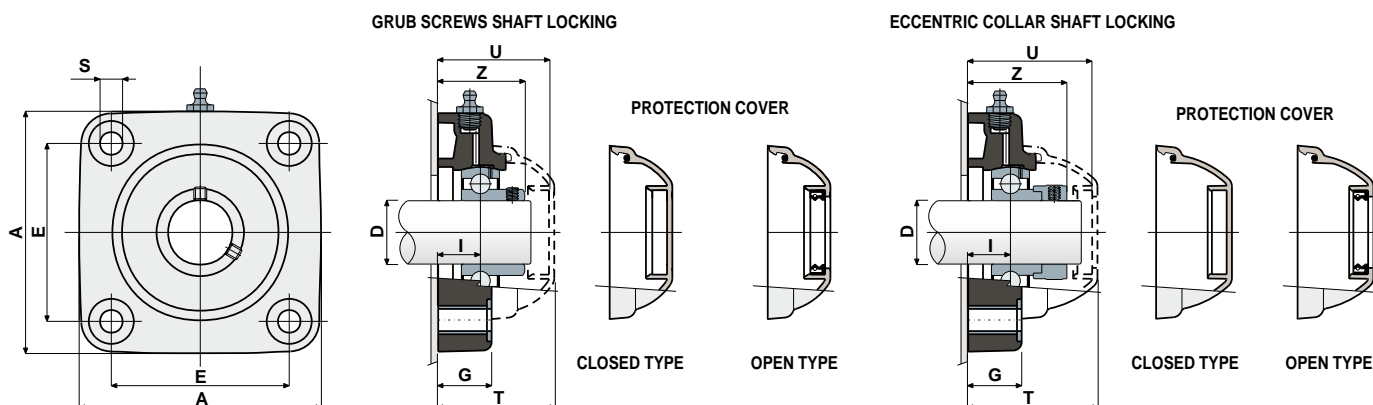
ON REQUEST: Versions with body in polypropylene + glass fiber and antibacterial additive; protection cover in different colours and with customized brand; box quantity according to your request; Viton gaskets, "Long life" bearings.



Square flanged bearing supports

Technical data

Serie **UCF**
Serie **MUCF**



GRUB SCREWS SHAFT LOCKING

D	SERIE	CHROME STEEL BEARING											COVER CODES											
		Support CODES			DIMENSIONS (mm)								Bearing load (N)		Bearing support load		GREY RAL 7042		BLUE RAL 5015		ORANGE RAL 2004		RED RAL 3000	
		Black	White	Blue Ral 5005	E	A	S	G	I	Z	U	T	C	CO	(N)	Closed	Open	Closed	Open	Closed	Open	Closed	Open	
20	UCF 204	80258	84628	87682	63,5	90	10,5	19	15,5	33,5	44	46,5	12800	6600	16500	80254	80255	87259	83901	82305	82306	87540	87541	
25	UCF 205	80054	84629	87683	70	99,5	10,5	22	17,4	37	47	49,5	14000	7800	17000	80075	80076	85384	85385	82276	82277	87542	87543	
30	UCF 206	80010	84630	87684	83	113	10,5	26	20,7	41	52,5	55	19500	11300	17500	80011	80053	84100	80354	82278	82279	87531	87530	
30	MUCF 206	84043	84631	87685	83	113	10,5	26	20,7	41	65	68	19500	11300	17500	80256	80494	83088	87271	82280	87555	87528	87569	
35	UCF 207	80055	84632	87686	92	122	10,5	26	20	45	57	59	25500	15300	18000	80077	80078	80969	80275	82284	82285	87544	87545	
35	MUCF 207	82652	84633	87687	83	113	10,5	26	20	45	65	68	25500	15300	18000	80256	80495	83088	87277	82280	87557	87528	87529	
40	UCF 208	80259	84634	87688	102	133	10,5	26	19,5	48,5	65	68	32500	19800	18000	80256	80257	83088	86722	82280	82281	87528	82804	
40	MUCF 208	80712	84635	87689	83	113	10,5	26	19,5	48,5	65	68	32500	19800	18000	80256	80257	83088	86722	82280	82281	87528	82804	

ECCENTRIC COLLAR SHAFT LOCKING

D	SERIE	CHROME STEEL BEARING											COVER CODES					
		Support CODES			DIMENSIONS (mm)								Bearing load (N)		Bearing support load		GREY RAL 7042	
		Black	White	Blue Ral 5005	E	A	S	G	I	Z	U	T	C	CO	(N)	Closed	Open	
20	UCF 204	88464	88470	88478	63,5	90	10,5	19	15,5	39	51	53,5	12800	6600	16500	88371	88372	
25	UCF 205	88465	88471	88479	70	99,5	10,5	22	17,4	40,9	52,9	55,4	14000	7800	17000	88373	88374	
30	UCF 206	88466	88472	88480	83	113	10,5	26	20,7	47,4	59,4	61,9	19500	11300	17500	88375	88376	
30	MUCF 206	87203	88473	88481	83	113	10,5	26	20,7	47,4	65	68	19500	11300	17500	80256	80494	
35	UCF 207	88467	88474	88482	92	122	10,5	26	20	49,3	61,3	63,8	25500	15300	18000	88377	88378	
35	MUCF 207	88468	88475	88483	83	113	10,5	26	20	49,3	65	68	25500	15300	18000	80256	80495	
40	UCF 208	88469	88476	88484	102	133	10,5	26	19,5	52,2	65	68	32500	19800	18000	80256	80257	
40	MUCF 208	87205	88477	88485	83	113	10,5	26	19,5	52,2	65	68	32500	19800	18000	80256	80257	

NEW

GRUB SCREWS SHAFT LOCKING

D	SERIE	STAINLESS STEEL BEARING AISI 440											COVER CODES											
		Support CODES			DIMENSIONS (mm)								Bearing load (N)		Bearing support load		GREY RAL 7042		BLUE RAL 5015		ORANGE RAL 2004		RED RAL 3000	
		Black	White	Blue Ral 5005	E	A	S	G	I	Z	U	T	C	CO	(N)	Closed	Open	Closed	Open	Closed	Open	Closed	Open	
20	UCF 204	80514	84636	87690	63,5	90	10,5	19	15,5	33,5	44	46,5	8300	6600	16500	80254	80255	87259	83901	82305	82306	87540	87541	
25	UCF 205	80515	84637	87691	70	99,5	10,5	22	17,4	37	47	49,5	9150	7800	17000	80075	80076	85384	85385	82276	82277	87542	87543	
30	UCF 206	80976	84638	87692	83	113	10,5	26	20,7	41	52,5	55	12500	11200	17500	80011	80053	84100	80354	82278	82279	87531	87530	
30	MUCF 206	84044	84639	87693	83	113	10,5	26	20,7	41	65	68	12500	11200	17500	80256	80494	83088	87271	82280	87555	87528	87569	
35	UCF 207	81052	84640	87694	92	122	10,5	26	20	45	57	59	16600	15300	18000	80077	80078	80969	80275	82284	82285	87544	87545	
35	MUCF 207	83468	84641	87695	83	113	10,5	26	20	45	65	68	16600	15300	18000	80256	80495	83088	87277	82280	87557	87528	87529	
40	UCF 208	80695	84642	87696	102	133	10,5	26	19,5	48,5	65	68	20000	19000	18000	80256	80257	83088	86722	82280	82281	87528	82804	
40	MUCF 208	81045	84643	87697	83	113	10,5	26	19,5	48,5	65	68	20000	19000	18000	80256	80257	83088	86722	82280	82281	87528	82804	

GRUB SCREWS SHAFT LOCKING - VERSIONS WITH MEASURES IN INCHES

D	SERIE	CHROME STEEL BEARING											COVER CODES											
		Support CODES			DIMENSIONS (mm)								Bearing load (N)		Bearing support load		GREY RAL 7042		BLUE RAL 5015		ORANGE RAL 2004		RED RAL 3000	
		Black	White	Blue Ral 5005	E	A	S	G	I	Z	U	T	C	CO	(N)	Closed	Open	Closed	Open	Closed	Open	Closed	Open	
1" (25,4)	UCF 205	84496	84887	87698	70	99,5	10,5	22	17,4	37	47	49,5	14000	7800	17000	80075	85202	85384	87273	82276	87660	87542	87663	
1 1/4" (31,75)	UCF 206	84497	84888	87699	83	113	10,5	26	20,7	41	52,5	55	19500	11300	17500	80011	85203	84100	87274	82278	87661	87531	87664	
1 1/4" (31,75)	MUCF 206	84498	85183	87700	83	113	10,5	26	20,7	41	65	68	19500	11300	17500	80256	85204	83088	87275	82280	87662	87528	87665	

S Self-aligning bearings with Solid body: completely closed surface to guarantee the max hygiene.

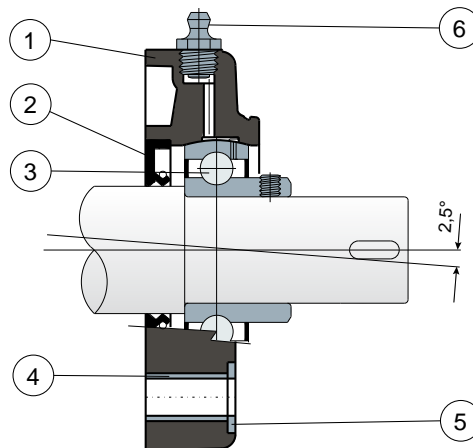


Square flanged bearing supports

Serie **UCF/CS**
Serie **MUCF/CS**



Back gasket for shouldered shaft



- 1) Housing made out of black or white colour polyamide reinforced with glass fibers.
- 2) Back gasket made out of NBR rubber for turning shaft seal.
- 3) Chrome steel or stainless steel bearing AISI 440.
- 4) Spacer for fixing reinforcement made out of stainless steel AISI 304.
- 5) UNI 6592 support washer made out of stainless steel AISI 304.
- 6) Greaser, straight type with 1/8 gas thread, made out of nickel-plated brass.

Support dimensions respect ISO 3228 set of rules.

Maximum shaft alignment error 2,5°

For further information please contact our technical office or sales department.

MATERIALS: Housing is made out of PA + glass fiber in black or white colours; chrome steel or stainless steel bearing; greaser made out of nickel plated brass; reinforcement bushings and washers made out of stainless steel AISI 304; gaskets made out of NBR rubber; cover made out of polypropylene grey Ral 7042, blue Ral 5015, orange Ral 2004 or red Ral 3000 colour.

FEATURES: Back gasket for shouldered shafts; protection cover can be ordered separately as accessory. Use of shouldered shafts allows a higher capability of axial load. Maximum shaft alignment error 2.5°.

BOX QUANTITY: 8 pieces.

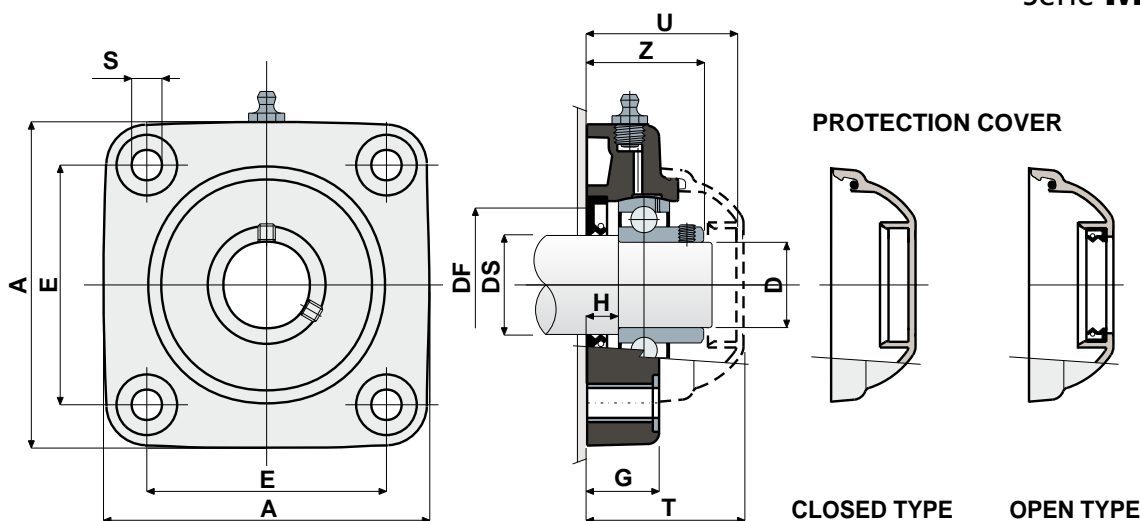
ON REQUEST: Versions with body in polypropylene + glass fiber and antibacterial additive; protection cover in different colours and with customized brand; box quantity according to your request; Viton gaskets, "Long life" bearings.



Square flanged bearing supports

Technical data

Serie **UCF/CS**
Serie **MUCF/CS**



CHROME STEEL BEARING														COVER CODES											
DS	D	SERIE	Support CODES		DIMENSIONS (mm)										Bearing load (N)	Bearing support load (N)	GREY RAL 7042		BLUE RAL 5015		ORANGE RAL 2004		RED RAL 3000		
			Black	White	E	A	S	G	H	Z	U	T	DF				C	CO	(N)	Closed	Open	Closed	Open	Closed	Open
25	20	UCF 204 CS	80260	85246	63,5	90	10,5	19	8,5	33,5	44	46,5	45	40	12800	6600	16500	80254	80255	87259	83901	82305	82306	87540	87541
30	25	UCF 205 CS	80178	85247	70	99,5	10,5	22	10	37	47	49,5	50	45	14000	7800	17000	80075	80076	85384	85385	82276	82277	87542	87543
35	30	UCF 206 CS	80179	85248	83	113	10,5	26	11,5	41	52,5	55	60	50	19500	11300	17500	80011	80053	84100	80354	82278	82279	87531	87530
35	30	MUCF 206 CS	84045	85249	83	113	10,5	26	11,5	41	65	68	60	50	19500	11300	17500	80256	80494	83088	87271	82280	87555	87528	87569
40	35	UCF 207 CS	80180	85250	92	122	10,5	26	10,5	45	57	59	70	55	25500	15300	18000	80077	80078	80969	80275	82284	82285	87544	87545
40	35	MUCF 207 CS	84046	85251	83	122	10,5	26	10,5	45	65	68	70	55	25500	15300	18000	80256	80495	83088	87277	82280	87557	87528	87529
45	40	UCF 208 CS	80261	85252	102	133	10,5	26	9	48,5	65	68	78	65	32500	19800	18000	80256	80257	83088	86722	82280	82281	87528	82804
45	40	MUCF 208 CS	80713	85253	83	113	10,5	26	9	48,5	65	68	78	65	32500	19800	18000	80256	80257	83088	86722	82280	82281	87528	82804

STAINLESS STEEL BEARING AISI 440														COVER CODES											
DS	D	SERIE	Support CODES		DIMENSIONS (mm)										Bearing load (N)	Bearing support load (N)	GREY RAL 7042		BLUE RAL 5015		ORANGE RAL 2004		RED RAL 3000		
			Black	White	E	A	S	G	H	Z	U	T	DF				C	CO	(N)	Closed	Open	Closed	Open	Closed	Open
25	20	UCF 204 CS	83520	85254	63,5	90	10,5	19	8,5	33,5	44	46,5	45	40	8300	6600	16500	80254	80255	87259	83901	82305	82306	87540	87541
30	25	UCF 205 CS	84146	85255	70	99,5	10,5	22	10	37	47	49,5	50	45	9150	7800	17000	80075	80076	85384	85385	82276	82277	87542	87543
35	30	UCF 206 CS	83829	85256	83	113	10,5	26	11,5	41	52,5	55	60	50	12500	11200	17500	80011	80053	84100	80354	82278	82279	87531	87530
35	30	MUCF 206 CS	85259	85261	83	113	10,5	26	11,5	41	65	68	60	50	12500	11200	17500	80256	80494	83088	87271	82280	87555	87528	87569
40	35	UCF 207 CS	84147	85257	92	122	10,5	26	10,5	45	57	59	70	55	16600	15300	18000	80077	80078	80969	80275	82284	82285	87544	87545
40	35	MUCF 207 CS	85260	85262	83	122	10,5	26	10,5	45	65	68	70	55	16600	15300	18000	80256	80495	83088	87277	82280	87557	87528	87529
45	40	UCF 208 CS	80322	85258	102	133	10,5	26	9	48,5	65	68	78	65	20000	19000	18000	80256	80257	83088	86722	82280	82281	87528	82804
45	40	MUCF 208 CS	83828	85263	83	113	10,5	26	9	48,5	65	68	78	65	20000	19000	18000	80256	80257	83088	86722	82280	82281	87528	82804

Self-aligning bearings with Solid body: completely closed surface to guarantee the max hygiene.



Square flanged bearing supports

Serie **UCF/CA**



On request covers in polypropylene blue Ral 5015 colour.

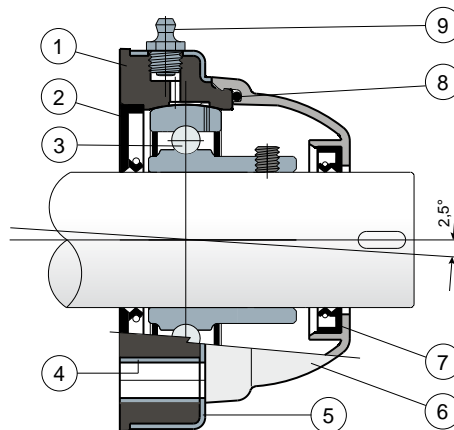


On request covers in polypropylene orange Ral 2004 colour.



On request covers in polypropylene red Ral 3000 colour.

External cover made out of stainless steel AISI 304



- 1) Internal body of support made out of black colour polypropylene reinforced with glass fibers.
- 2) Back gasket made out of NBR rubber for turning shaft seal.
- 3) Chrome steel or stainless steel bearing AISI 440.
- 4) Spacer for fixing reinforcement made out of stainless steel AISI 304.
- 5) External cover of support made out of AISI 304 stainless steel.
- 6) Protection cover made out of polypropylene (grey colour Ral 7042).
- 7) Front gasket made out of NBR rubber for turning shaft seal.
- 8) OR gasket made out of NBR rubber
- 9) Greaser, straight type with 1/8 gas thread, made out of nickel-plated brass.

Maximum shaft alignment error 2,5°

For further information please contact our technical office or sales department.

MATERIALS: Support made out of black colour PP + glass fiber; external cover of support made out of stainless steel AISI 304; chrome steel or stainless steel bearing; greaser made out of nickel plated brass; reinforcement bushings made out of stainless steel AISI 304; gaskets made out of NBR rubber; protection cover made out of grey RAL 7042 colour polypropylene.

FEATURES: Full protection of bearing against external agents. Housing in polypropylene covered with a layer of AISI 304 stainless steel, to obtain the maximum chemical resistance to antibacterial detergents used in the food processing sector. More over this part is moulded without internal cavities in order to obtain the best sanitation. Assembly with not shouldered shaft. Maximum shaft alignment error 2.5°.

BOX QUANTITY: 8 pieces.

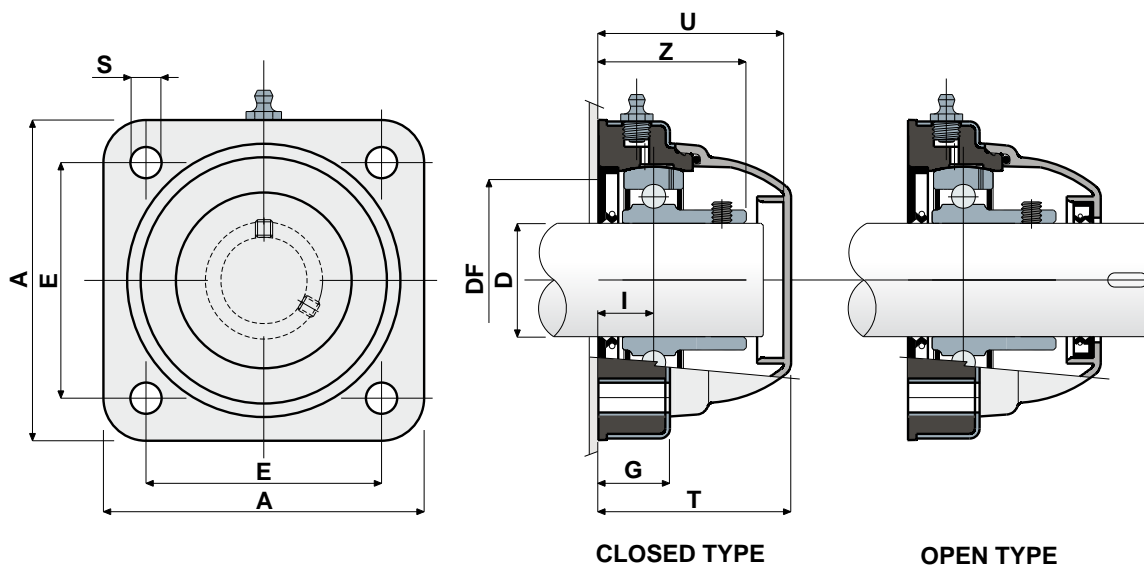
ON REQUEST: Protection covers in different colours and with customized brand; supports with eccentric collar shaft locking with chrome steel bearing; box quantity according to your request; internal body in reinforced polypropylene white or blue Ral 5005 colour; Viton gaskets, "Long life" bearings.



Square flanged bearing supports

Technical data

Serie **UCF/CA**



D (mm)	SERIE	CODES		DIMENSIONS (mm)										Bearing load (N)		Bearing support load
		Closed	Open	E	A	S	G	I	Z	U	T	DF		C	C0	(N)
												Max	Min			
30	UCF 206 CA	80409	80410	83	113	11	27	20	41	65	68	60	50	19500	11300	17500
35	UCF 207 CA	80485	80486	83	113	11	27	19,5	45	65	68	70	55	25500	15300	18000
40	UCF 208 CA	80411	80412	83	113	11	27	19,5	48,5	65	68	78	65	32500	19800	18000

D (mm)	SERIE	CODES		DIMENSIONS (mm)										Bearing load (N)		Bearing support load
		Closed	Open	E	A	S	G	I	Z	U	T	DF		C	C0	(N)
												Max	Min			
30	UCF 206 CA	80453	80464	83	113	11	27	20	41	65	68	60	50	12500	11200	17500
35	UCF 207 CA	81059	81060	83	113	11	27	19,5	45	65	68	70	55	16600	15300	18000
40	UCF 208 CA	80454	81061	83	113	11	27	19,5	48,5	65	68	78	65	20000	19000	18000

VERSIONS WITH MEASURES IN INCHES

D (inches)	D (mm)	SERIE	CODES		DIMENSIONS (mm)										Bearing load (N)		Bearing support load
			Closed	Open	E	A	S	G	I	Z	U	T	DF		C	C0	(N)
													Max	Min			
1"1/4	31,75	UCF 206 CA	84499	84503	83	113	11	27	20	41	65	68	60	50	19500	11300	17500



Self-aligning bearings with Solid body: completely closed surface to guarantee the max hygiene.



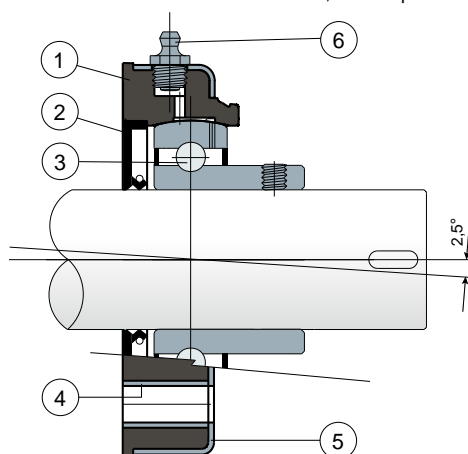
Square flanged bearing supports

Serie **UCF/CXA**



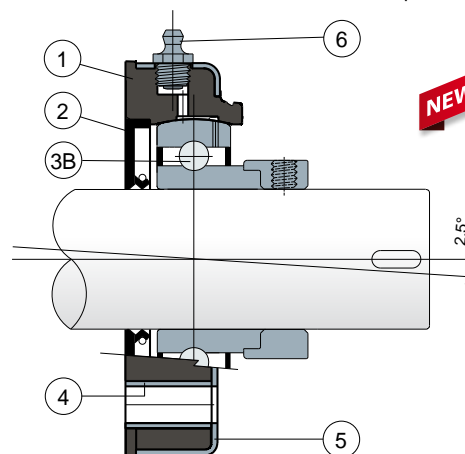
Grub screws shaft locking

External cover made out of stainless steel AISI 304; without protection cover



Eccentric collar shaft locking

External cover made out of stainless steel AISI 304; without protection cover



- 1) Internal body of support made out of black colour polypropylene reinforced with glass fibers.
- 2) Back gasket made out of NBR rubber for turning shaft seal.
- 3) Chrome steel or stainless steel bearing AISI 440.
- 3B) Chrome steel bearing.
- 4) Spacer for fixing reinforcement made out of stainless steel AISI 304.
- 5) External cover of support made out of AISI 304 stainless steel.
- 6) Greaser, straight type with 1/8 gas thread, made out of nickel-plated brass.

NOTE: The only difference from UCF/CA series is lack of protection cover, which can be ordered separately as an accessory.

Maximum shaft alignment error 2,5°

For further information please contact our technical office or sales department.

MATERIALS: Support made out of black colour PP + glass fiber; external cover of support made out of stainless steel AISI 304; bearing with grub screws shaft locking in chrome steel or stainless steel; bearing with eccentric collar shaft locking in chrome steel; greaser made out of nickel plated brass; reinforcement bushings made out of stainless steel AISI 304; gaskets made out of NBR rubber; protection cover made out of polypropylene grey Ral 7042, blue Ral 5015, orange Ral 2004 or red Ral 3000 colour.

FEATURES: The only difference from UCF/CA series is lack of protection cover, which can be ordered separately as an accessory. Housing in polypropylene covered with a layer of AISI 304 stainless steel, to obtain the maximum chemical resistance to antibacterial detergents used in the food processing sector. More over this part is moulded without internal cavities in order to obtain the best sanification. Assembly with not shouldered shaft. Maximum shaft alignment error 2.5°.

BOX QUANTITY: 8 pieces.

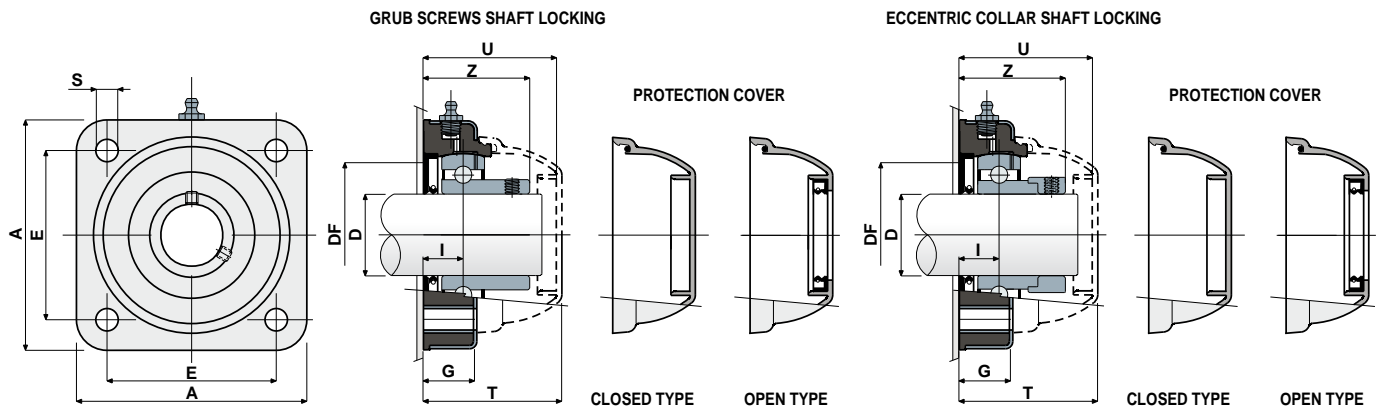
ON REQUEST: Protection covers in different colours and with customized brand; internal body in reinforced polypropylene white or blue Ral 5005 colour; box quantity according to your request; Viton gaskets, "Long life" bearings.



Square flanged bearing supports

Technical data

Serie **UCF/CXA**



GRUB SCREWS SHAFT LOCKING

D (mm)	SERIE	Support CODES	CHROME STEEL BEARING										Bearing load (N)		Bearing support load		COVER CODES							
			DIMENSIONS (mm)										C	CO	(N)	GREY RAL 7042		BLUE RAL 5015		ORANGE RAL 2004		RED RAL 3000		
			E	A	S	G	I	Z	U	T	DF					Closed	Open	Closed	Open	Closed	Open	Closed	Open	
30	UCF 206 CXA	80413	83	113	11	27	20	41	65	68	60	50	19500	11300	17500	80494	87271	87555	87569					
35	UCF 207 CXA	80479	83	113	11	27	19,5	45	65	68	70	55	25500	15300	18000	80256	80495	83088	87277	82280	87557	87528	87529	
40	UCF 208 CXA	80414	83	113	11	27	19,5	48,5	65	68	78	65	32500	19800	18000	80257	86722	82281	82804					

ECCENTRIC COLLAR SHAFT LOCKING

D (mm)	SERIE	Support CODES	CHROME STEEL BEARING										Bearing load (N)		Bearing support load		COVER CODES						
			DIMENSIONS (mm)										C	CO	(N)	GREY RAL 7042							
			E	A	S	G	I	Z	U	T	DF					Closed	Open						
30	UCF 206 CXA	87195	83	113	11	27	20	47	65	68	60	50	19500	11300	17500	80494	80495	82280	87557	87528	87529		
35	UCF 207 CXA	88486	83	113	11	27	19,5	49	65	68	70	55	25500	15300	18000	80256	80495	83088	87277	82280	87557	87528	87529
40	UCF 208 CXA	88487	83	113	11	27	19,5	52,2	65	68	78	65	32500	19800	18000	80257	86722	82281	82804				

NEW

GRUB SCREWS SHAFT LOCKING

D (mm)	SERIE	Support CODES	STAINLESS STEEL BEARING AISI 440										Bearing load (N)		Bearing support load		COVER CODES							
			DIMENSIONS (mm)										C	CO	(N)	GREY RAL 7042		BLUE RAL 5015		ORANGE RAL 2004		RED RAL 3000		
			E	A	S	G	I	Z	U	T	DF					Closed	Open	Closed	Open	Closed	Open	Closed	Open	
30	UCF 206 CXA	80499	83	113	11	27	20	41	65	68	60	50	12500	11200	17500	80494	87271	87555	87569					
35	UCF 207 CXA	80500	83	113	11	27	19,5	45	65	68	70	55	16600	15300	18000	80256	80495	83088	87277	82280	87557	87528	87529	
40	UCF 208 CXA	80501	83	113	11	27	19,5	48,5	65	68	78	65	20000	19000	18000	80257	86722	82281	82804					

GRUB SCREWS SHAFT LOCKING - VERSIONS WITH MEASURES IN INCHES

D (inches)	D (mm)	SERIE	Support CODES	CHROME STEEL BEARING										Bearing load (N)		Bearing support load		COVER CODES							
				DIMENSIONS (mm)										C	CO	(N)	GREY RAL 7042		BLUE RAL 5015		ORANGE RAL 2004		RED RAL 3000		
				E	A	S	G	I	Z	U	T	DF					Closed	Open	Closed	Open	Closed	Open	Closed	Open	
1 1/4	31,75	UCF 206 CXA	84505	83	113	11	27	20	41	65	68	60	50	19500	11300	17500	80256	85204	83088	87275	82280	87662	87528	87665	



Self-aligning bearings with Solid body: completely closed surface to guarantee the max hygiene.



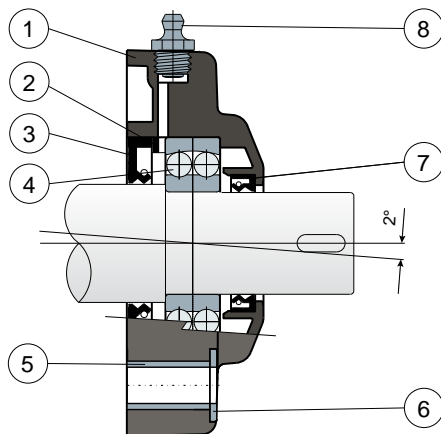
Square flanged bearing supports

Serie **F**

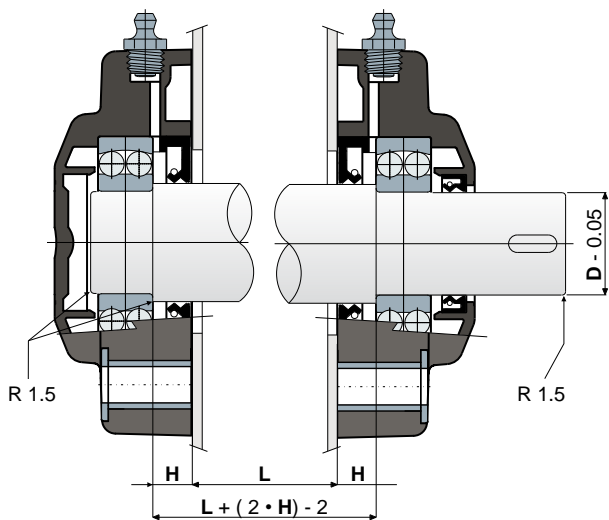


The bearing cover integrated into the body of the support guarantees maximum sanitation

Back gasket for shouldered shaft



Mounting specifications



- 1) Housing made out of black or white colour polyamide reinforced with glass fibers.
- 2) Intermediate bearing ring spacer made out of black colour polyamide reinforced with glass fibers.
- 3) Back gasket made out of NBR rubber for turning shaft seal.
- 4) Chrome steel bearing type 1200 supplied without lubricant.
- 5) Spacer for fixing reinforcement made out of stainless steel AISI 304.
- 6) UNI 6592 support washer made out of stainless steel AISI 304.
- 7) Front gasket made out of NBR rubber for turning shaft seal.
- 8) Greaser, straight type with 1/8 gas thread, made out of nickel-plated brass.

Support dimensions respect ISO 3228 set of rules

Maximum shaft alignment error 2°

For further information please contact our technical office or sales department.

MATERIALS: Housing is made out of PA + glass fiber in black or white colours; Intermediate bearing ring spacer made out of black colour PA + glass fiber; chrome steel bearing; greaser made out of nickel plated brass; reinforcement bushings and washers made out of stainless steel AISI 304; gaskets made out of NBR rubber.

FEATURES: Back gasket for shouldered shafts. Use of shouldered shafts allows a higher capability of axial load. Maximum shaft alignment error 2°.

BOX QUANTITY: 8 pieces.

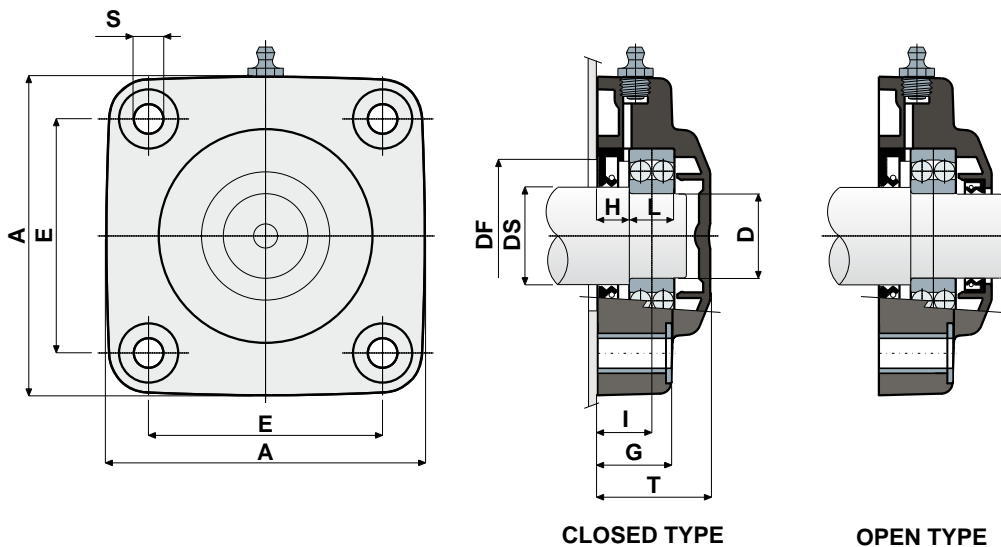
ON REQUEST: Versions with body in polypropylene + glass fiber and antibacterial additive; box quantity according to your request; Viton gaskets.



Square flanged bearing supports

Technical data

Serie **F**



CHROME STEEL BEARING																				
DS	D	SERIE	CODES				DIMENSIONS (mm)											Bearing load (N)		Bearing support load
			Black		White		E	A	S	G	H	I	L	T	DF		C	C0	(N)	
			Closed	Open	Closed	Open									Max	Min				
30	25	F 1205	87469	87475	87470	87476	70	99	10,5	22	11	18,8	15	36,5	50	45	14300	4000	17250	
35	30	F 1206	87481	87487	87482	87488	83	113	10,5	26	11	19,3	16	40	60	50	15600	4650	17250	



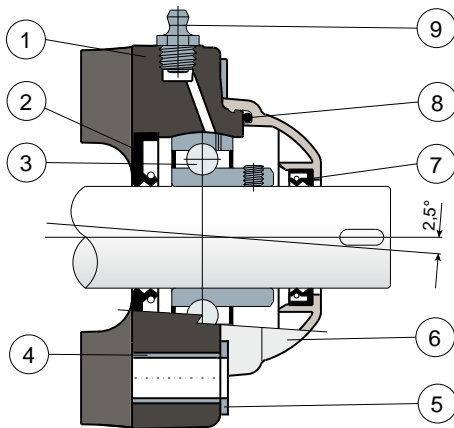
Square flanged bearing supports

Serie **UCF/C**

NEW



Full protection of bearing



- 1) Housing made out of blue Ral 5005 colour polyamide reinforced with glass fibers.
- 2) Back gasket made out of NBR rubber for turning shaft seal.
- 3) Chrome steel or stainless steel bearing AISI 440.
- 4) Spacer for fixing reinforcement made out of stainless steel AISI 304.
- 5) UNI 6592 support washer made out of stainless steel AISI 304.
- 6) Protection cover made out of polypropylene (orange Ral 2004 colour).
- 7) Front gasket made out of NBR rubber for turning shaft seal.
- 8) OR gasket made out of NBR rubber
- 9) Greaser, straight type with 1/8 gas thread, made out of stainless steel AISI 303.

Support dimensions respect ISO 3228 set of rules
 Maximum shaft alignment error 2,5°
 For further information please contact our technical office or sales department.

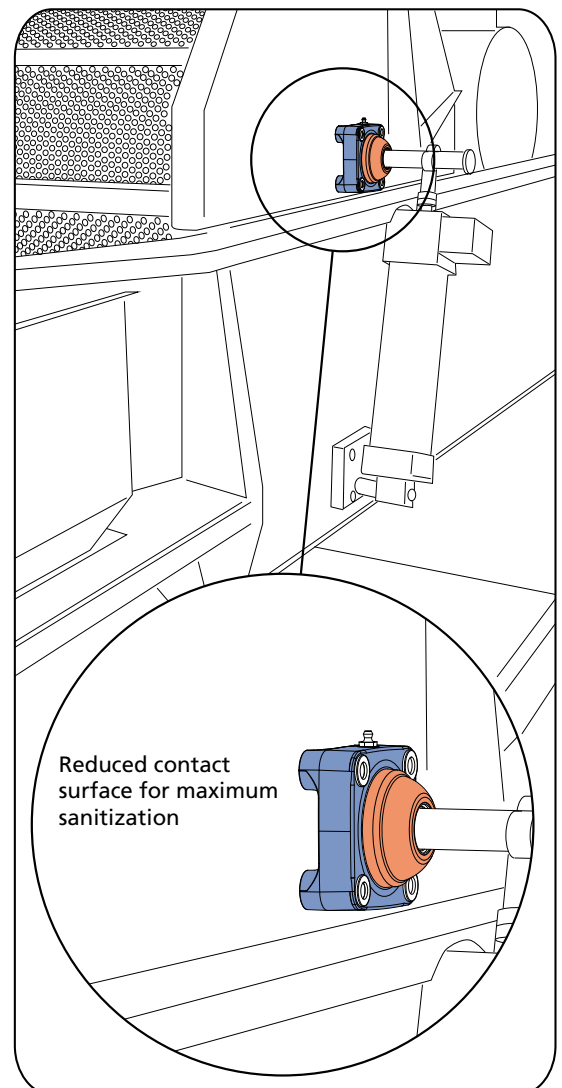
MATERIALS: Support made out of blue Ral 5005 colour PA + glass fiber; chrome steel or stainless steel bearing; greaser made out of stainless steel; reinforcement bushings and washers made out of stainless steel AISI 304; gaskets made out of NBR rubber; cover made out of orange Ral 2004 colour polypropylene.

FEATURES: Full protection of bearing against external agents. Assembly with not shouldered shafts. The reduced contact surface of the base of the support allows maximum sanification. Maximum shaft alignment error 2.5°.

BOX QUANTITY: 8 pieces.

ON REQUEST: Versions with body in polypropylene + glass fiber and antibacterial additive; supports with eccentric collar shaft locking with chrome steel bearing; protection cover in different colours and with customized brand; box quantity according to your request; Viton gaskets, "Long life" bearings.

Example of application

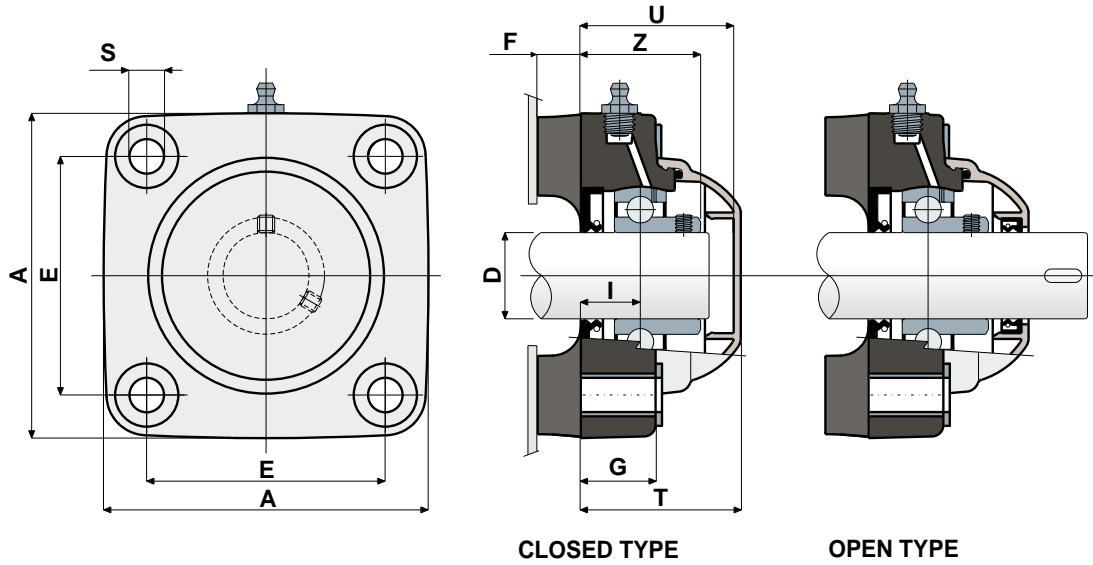




Square flanged bearing supports

Technical data

Serie **UCF/C**



CHROME STEEL BEARING															
D	SERIE	Support CODES		DIMENSIONS (mm)									Bearing load (N)		Bearing support load
		Blue Ral 5005		E	A	S	F	G	I	Z	U	T	C	CO	(N)
		Closed	Open												
25	UCF 205 C	88684	88685	70	99,5	10,5	15	22	17,4	37	47	49,5	14000	7800	17000
30	UCF 206 C	88688	88689	83	113	10,5	15	26	20	42	53,2	55,7	19500	11300	17500

STAINLESS STEEL BEARING AISI 440															
D	SERIE	Support CODES		DIMENSIONS (mm)									Bearing load (N)		Bearing support load
		Blue Ral 5005		E	A	S	F	G	I	Z	U	T	C	CO	(N)
		Closed	Open												
25	UCF 205 C	88686	88687	70	99,5	10,5	15	22	17,4	37	47	49,5	9150	7800	17000
30	UCF 206 C	88690	88691	83	113	10,5	15	26	20	42	53,2	55,7	12500	11200	17500

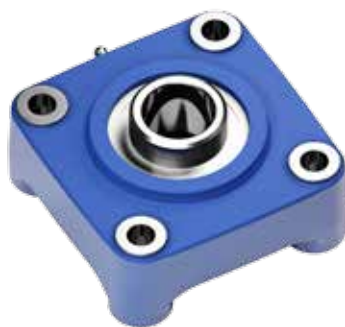
Self-aligning bearings with Solid body: completely closed surface to guarantee the max hygiene.



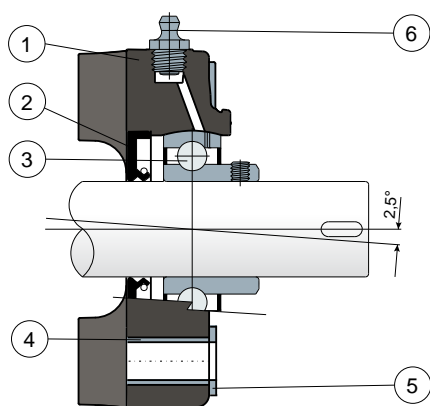
Square flanged bearing supports

Serie **UCF/CX**

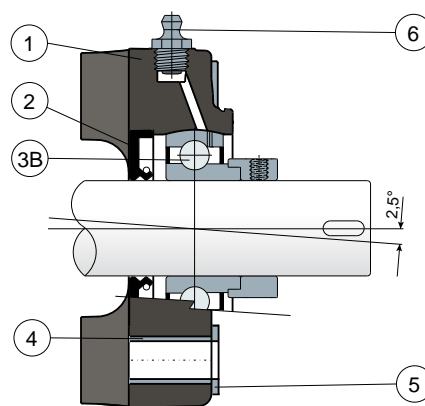
NEW



Grub screws shaft locking - Without protection cover



Eccentric collar shaft locking - Without protection cover



- 1) Housing made out of blue Ral 5005 colour polyamide reinforced with glass fibers.
- 2) Back gasket made out of NBR rubber for turning shaft seal.
- 3) Chrome steel or stainless steel bearing AISI 440.
- 3B) Chrome steel bearing.
- 4) Spacer for fixing reinforcement made out of stainless steel AISI 304.
- 5) UNI 6592 support washer made out of stainless steel AISI 304.
- 6) Greaser, straight type with 1/8 gas thread, made out of stainless steel AISI 303.

NOTE: The only difference from UCF/C series is lack of protection cover, which can be ordered separately as an accessory.

Support dimensions respect ISO 3228 set of rules

Maximum shaft alignment error 2,5°

For further information please contact our technical office or sales department.

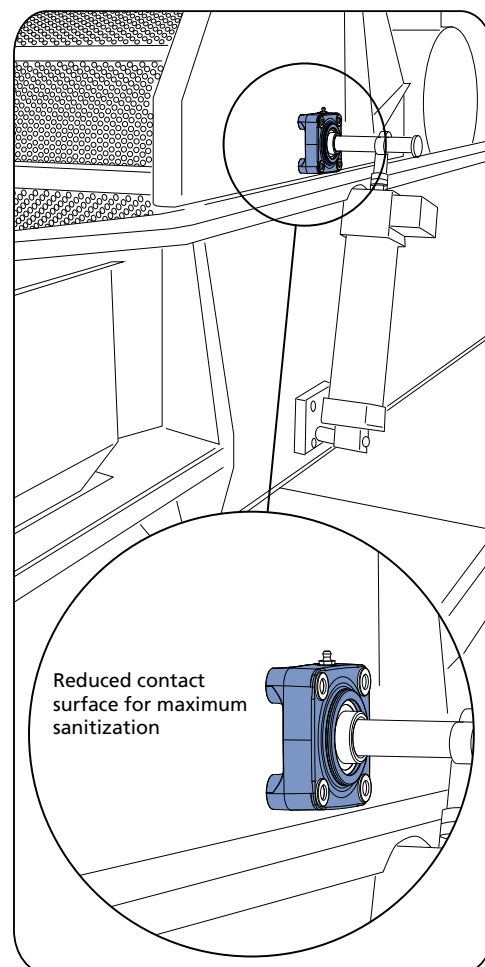
MATERIALS: Support made out of blue Ral 5005 colour PA + glass fiber; bearing with grub screws shaft locking in chrome steel or stainless steel; bearing with eccentric collar shaft locking in chrome steel; greaser made out of stainless steel; reinforcement bushings and washers made out of stainless steel AISI 304; gaskets made out of NBR rubber; cover made out of polypropylene grey Ral 7042, blue Ral 5015, orange Ral 2004, red Ral 3000 colour.

FEATURES: The difference from UCF/C series is lack of protection cover which can be ordered separately as an accessory. The reduced contact surface of the base of the support allows maximum sanitification. Assembly with not shouldered shafts. Maximum shaft alignment error 2.5°.

BOX QUANTITY: 8 pieces.

ON REQUEST: Versions with body in polypropylene + glass fiber and antibacterial additive; protection cover in different colours and with customized brand; box quantity according to your request; Viton gaskets, "Long life" bearings.

Example of application

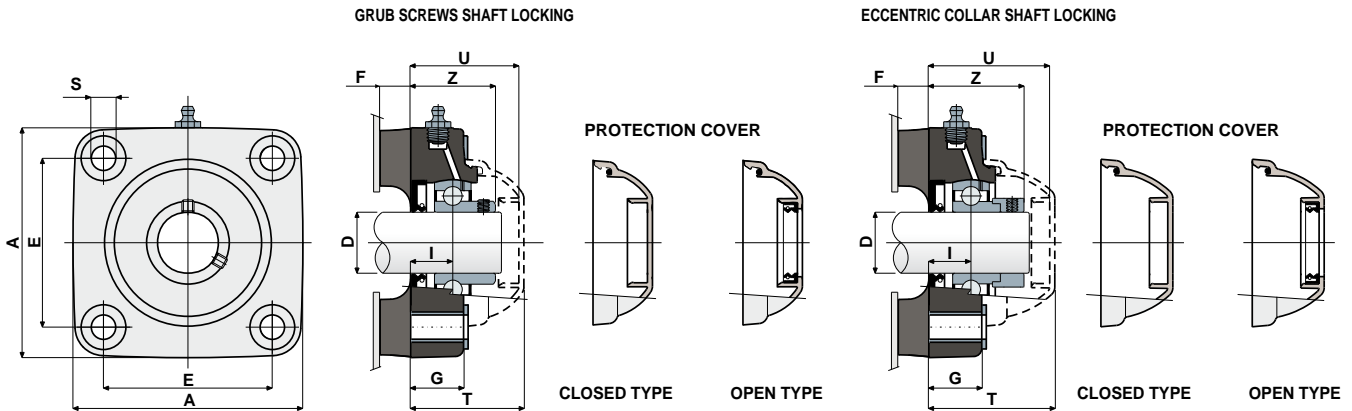




Square flanged bearing supports

Technical data

Serie **UCF/CX**



GRUB SCREWS SHAFT LOCKING

D	SERIE	CHROME STEEL BEARING											COVER CODES									
		Support CODES	DIMENSIONS (mm)										Bearing load (N)	Bearing support load (N)	GREY RAL 7042		BLUE RAL 5015		ORANGE RAL 2004		RED RAL 3000	
			Blue Ral 5005	E	A	S	F	G	I	Z	U	T			C	CO	(N)	Closed	Open	Closed	Open	Closed
25	UCF 205 CX	88692	70	99,5	10,5	15	22	17,4	37	47	49,5	14000	7800	17000	80075	80076	85384	85385	82276	82277	87542	87543
30	UCF 206 CX	88693	83	113	10,5	15	26	20	42	53,2	55,7	19500	11300	17500	80011	80053	84100	80354	82278	82279	87531	87530

ECCENTRIC COLLAR SHAFT LOCKING

D	SERIE	CHROME STEEL BEARING											COVER CODES			
		Support CODES	DIMENSIONS (mm)										Bearing load (N)	Bearing support load (N)	GREY RAL 7042	
			Blue Ral 5005	E	A	S	F	G	I	Z	U	T			C	CO
25	UCF 205 CX	88696	70	99,5	10,5	15	22	17,4	40,9	52,9	55,4	14000	7800	17000	88373	88374
30	UCF 206 CX	88697	83	113	10,5	15	26	20	46,7	59,4	61,9	19500	11300	17500	88375	88376

GRUB SCREWS SHAFT LOCKING

D	SERIE	STAINLESS STEEL BEARING AISI 440											COVER CODES									
		Support CODES	DIMENSIONS (mm)										Bearing load (N)	Bearing support load (N)	GREY RAL 7042		BLUE RAL 5015		ORANGE RAL 2004		RED RAL 3000	
			Blue Ral 5005	E	A	S	F	G	I	Z	U	T			C	CO	(N)	Closed	Open	Closed	Open	Closed
25	UCF 205 CX	88694	70	99,5	10,5	15	22	17,4	37	47	49,5	9150	7800	17000	80075	80076	85384	85385	82276	82277	87542	87543
30	UCF 206 CX	88695	83	113	10,5	15	26	20	42	53,2	55,7	12500	11200	17500	80011	80053	84100	80354	82278	82279	87531	87530



Self-aligning bearings with Solid body: completely closed surface to guarantee the max hygiene.

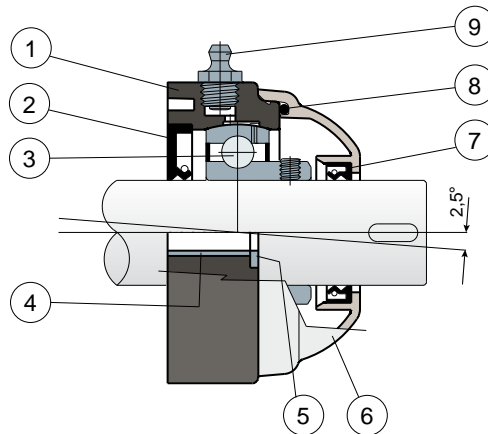


Oval flanged bearing supports

Serie **UCFL/C**
Serie **MUCFL/C**



Full protection of bearing



- 1) Housing made out of black or white colour polyamide reinforced with glass fibers.
- 2) Back gasket made out of NBR rubber for turning shaft seal.
- 3) Chrome steel or stainless steel bearing AISI 440.
- 4) Spacer for fixing reinforcement made out of stainless steel AISI 304.
- 5) UNI 6592 support washer made out of stainless steel AISI 304.
- 6) Protection cover made out of polypropylene (grey colour Ral 7042).
- 7) Front gasket made out of NBR rubber for turning shaft seal.
- 8) OR gasket made out of NBR rubber
- 9) Greaser, straight type with 1/8 gas thread, made out of nickel-plated brass.

Support dimensions respect ISO 3228 set of rules.

Maximum shaft alignment error 2,5°

For further information please contact our technical office or sales department.

MATERIALS: Housing is made out of PA + glass fiber in black or white colours; chrome steel or stainless steel bearing; greaser made out of nickel plated brass; reinforcement bushings and washers made out of stainless steel AISI 304; gaskets made out of NBR rubber; cover made out of grey RAL 7042 colour polypropylene.

FEATURES: Full protection of bearing against external agents. Assembly with not shouldered shafts. Maximum shaft alignment error 2.5°.

BOX QUANTITY: 8 pieces.

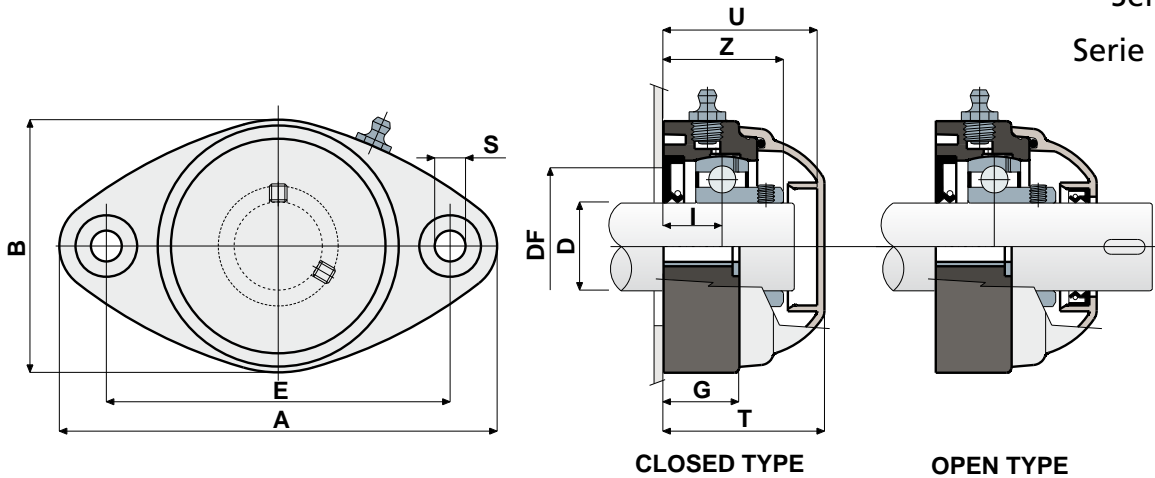
ON REQUEST: Versions with body in polypropylene + glass fiber and antibacterial additive; supports with eccentric collar shaft locking with chrome steel bearing; protection cover in different colours and with customized brand; box quantity according to your request; Viton gaskets, "Long life" bearings.



Oval flanged bearing supports

Technical data

Serie **UCFL/C**
Serie **MUCFL/C**



CHROME STEEL BEARING																			
D	SERIE	CODES				DIMENSIONS (mm)											Bearing load (N)		Bearing support load (N)
		Black		White		E	A	B	S	G	I	Z	U	T	DF		C	CO	
		Closed	Open	Closed	Open										Max	Min			
20	UCFL 204 C	80262	80263	84644	84645	90	118	64	10,5	19	15,5	33,5	44	46,5	45	40	12800	6600	8500
20	MUCFL 204 C	82858	82857	84676	84677	90	122	86	10,5	19	16	34	44	46,5	45	40	12800	6600	8500
20	MUCFL 204 C	87211	87212	87213	87214	76,5	100	70	10,5	11	15,5	33,5	44	46,5	45	40	12800	6600	8500
25	UCFL 205 C	80067	80071	84646	84647	99	131	72	10,5	22	17,4	37	47	49,5	50	45	14000	7800	10000
25	MUCFL 205 C	82860	82859	84678	84679	90	122	86	10,5	19	15,5	35	44	46,5	50	45	14000	7800	10000
30	UCFL 206 C	80068	80072	84648	84649	117	149	86	10,5	26	20	42	53	56	60	50	19500	11300	13000
30	MUCFL 206 C	82409	82408	84680	84681	90	122	86	10,5	19	13	35	52	54,5	60	50	19500	11300	13000
35	UCFL 207 C	80069	80073	84650	84651	130	163	94	10,5	26	20	45	57	59	70	55	25500	15300	14000
35	MUCFL 207 C	84014	83989	84682	84683	117	147	112	10,5	27	20	45,3	57	59,6	70	55	25500	15300	14000
40	UCFL 208 C	85217	85218	85221	85222	144	172	100	10,5	27	19,5	48,5	65,5	71	78	65	32500	19800	15000
40	MUCFL 208 C	84015	83990	84684	84685	117	147	112	10,5	27	20	48,5	65,5	68	78	65	32500	19800	15000

STAINLESS STEEL BEARING AISI 440																			
D	SERIE	CODES				DIMENSIONS (mm)											Bearing load (N)		Bearing support load (N)
		Black		White		E	A	B	S	G	I	Z	U	T	DF		C	CO	
		Closed	Open	Closed	Open										Max	Min			
20	UCFL 204 C	81062	81063	84652	84653	90	118	64	10,5	19	15,5	33,5	44	46,5	45	40	8300	6600	8500
20	MUCFL 204 C	82870	82869	84686	84687	90	122	86	10,5	19	16	34	44	46,5	45	40	8300	6600	8500
20	MUCFL 204 C	87221	87222	87223	87224	76,5	100	70	10,5	11	15,5	33,5	44	46,5	45	40	8300	6600	8500
25	UCFL 205 C	81064	81065	84654	84655	99	131	72	10,5	22	17,4	37	47	49,5	50	45	9150	7800	10000
25	MUCFL 205 C	82868	82867	84688	84689	90	122	86	10,5	19	15,5	35	44	46,5	50	45	9150	7800	10000
30	UCFL 206 C	81066	81067	84656	84657	117	149	86	10,5	26	20	42	53	56	60	50	12500	11200	13000
30	MUCFL 206 C	82767	82766	84690	84691	90	122	86	10,5	19	13	35	52	54,5	60	50	12500	11200	13000
35	UCFL 207 C	81068	81069	84658	84659	130	163	94	10,5	26	20	45	57	59	70	55	16600	15300	14000
35	MUCFL 207 C	84017	84018	84692	84693	117	147	112	10,5	27	20	45,3	57	59,6	70	55	16600	15300	14000
40	UCFL 208 C	85219	85220	85223	85224	144	172	100	10,5	27	19,5	48,5	65,5	71	78	65	20000	19000	15000
40	MUCFL 208 C	84016	83991	84694	84695	117	147	112	10,5	27	20	48,5	65,5	68	78	65	20000	19000	15000

VERSIONS WITH MEASURES IN INCHES

CHROME STEEL BEARING																				
D	SERIE	CODES				DIMENSIONS (mm)											Bearing load (N)		Bearing support load (N)	
		Black		White		E	A	B	S	G	I	Z	U	T	DF		C	CO		
		Closed	Open	Closed	Open										Max	Min				
1" (inches)	25,4 (mm)	UCFL 205 C	84506	84507	84891	84892	99	131	72	10,5	22	17,4	37	47	49,5	50	45	14000	7800	10000
1"	25,4	MUCFL 205 C	84515	84539	84979	84980	90	122	86	10,5	19	15,5	35	44	46,5	50	45	14000	7800	10000
1" 1/4	31,75	UCFL 206 C	84508	84509	84893	84894	117	149	86	10,5	26	20	42	53	56	60	50	19500	11300	13000
1" 1/4	31,75	MUCFL 206 C	84516	84540	84981	84982	90	122	86	10,5	19	13	35	52	54,5	60	50	19500	11300	13000



Oval flanged bearing supports

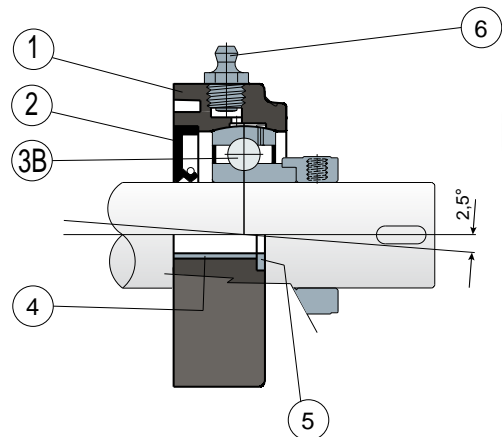
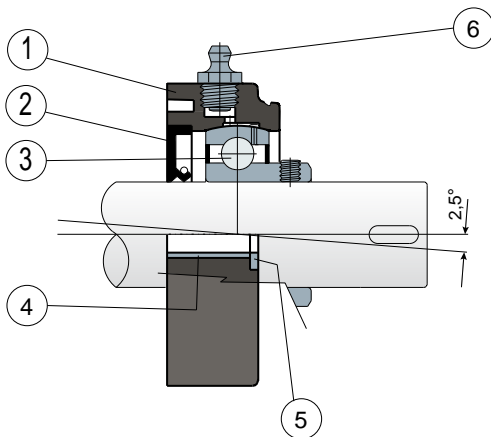
Serie **UCFL/CX**

Serie **MUCFL/CX**



Grub screws shaft locking - Without protection cover

Eccentric collar shaft locking - Without protection cover



- 1) Housing made out of black, white or blue Ral 5005 colour polyamide reinforced with glass fibers.
- 2) Back gasket made out of NBR rubber for turning shaft seal.
- 3) Chrome steel or stainless steel bearing AISI 440.
- 3B) Chrome steel bearing.
- 4) Spacer for fixing reinforcement made out of stainless steel AISI 304.
- 5) UNI 6592 support washer made out of stainless steel AISI 304.
- 6) Greaser, straight type with 1/8 gas thread, made out of nickel-plated brass.

NOTE: The only difference from UCFL/C series is lack of protection cover, which can be ordered separately as an accessory.

Support dimensions respect ISO 3228 set of rules.

Maximum shaft alignment error 2,5°

For further information please contact our technical office or sales department.

MATERIALS: Housing is made out of PA + glass fiber in black, white or blue Ral 5005 colours; bearing with grub screws shaft locking in chrome steel or stainless steel; bearing with eccentric collar shaft locking in chrome steel; greaser made out of nickel plated brass; reinforcement bushings and washers made out of stainless steel AISI 304; gaskets made out of NBR rubber; cover made out of polypropylene grey Ral 7042, blue Ral 5015, orange Ral 2004 or red Ral 3000 colour.

FEATURES: The difference from UCFL/C series is lack of protection cover which can be ordered separately as an accessory. Assembly with not shouldered shafts. Maximum shaft alignment error 2.5°.

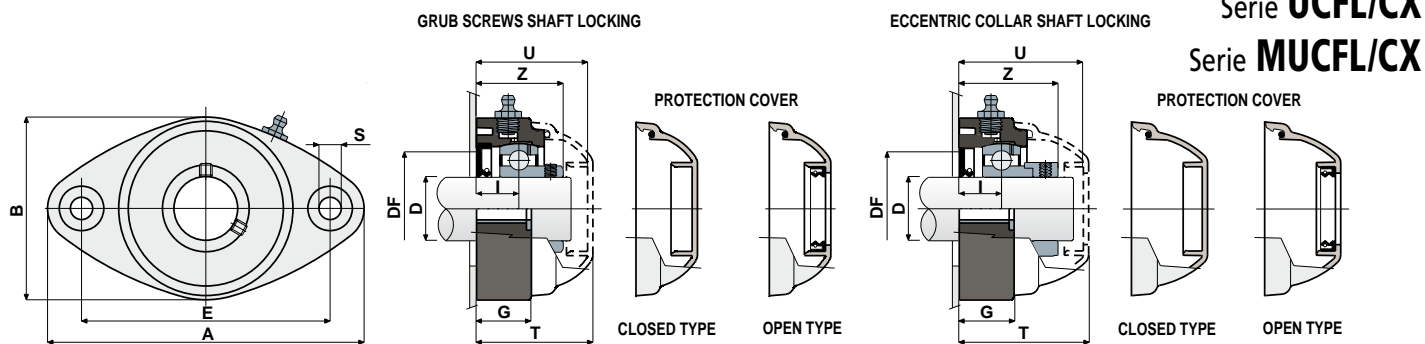
BOX QUANTITY: 8 pieces.

ON REQUEST: Versions with body in polypropylene + glass fiber and antibacterial additive; protection cover in different colours and with customized brand; box quantity according to your request; Viton gaskets, "Long life" bearings.



Oval flanged bearing supports

Technical data



Serie UCFL/CX
Serie MUCFL/CX

GRUB SCREWS SHAFT LOCKING

D	SERIE	CHROME STEEL BEARING										COVER CODES														
		Support CODES			DIMENSIONS (mm)							Bearing load (N)		Bearing support load		GREY RAL 7042		BLUE RAL 5015		ORANGE RAL 2004		RED RAL 3000				
		Black	White	Blue Ral 5005	E	A	B	S	G	I	Z	U	T	DF Max	DF Min	C	CO	(N)	Closed	Open	Closed	Open	Closed	Open	Closed	Open
20	UCFL 204 CX	80264	84660	87166	90	118	64	10,5	19	15,5	33,5	44	46,5			45	40	12800	6600	8500	80254	80255	87259	83901	82305	82306
20	MUCFL 204 CX	83035	84696	87701	90	122	86	10,5	19	16	34	44	46,5	45	40	12800	6600	8500	80254	80255	87259	83901	82305	82306	87540	87541
20	MUCFL 204 CX	87215	87216	87702	76,5	100	70	10,5	11	15,5	33,5	44	46,5	45	40	12800	6600	8500	80254	80255	87259	83901	82305	82306	87540	87541
25	UCFL 205 CX	80181	84661	87167	99	131	72	10,5	22	17	36	47	49	50	45	14000	7800	10000	80075	80076	85384	85385	82276	82277	87542	87543
25	MUCFL 205 CX	83036	84697	87703	90	122	86	10,5	19	15,5	35	44	46,5	50	45	14000	7800	10000	80075	80076	85384	85385	82276	82277	87542	87543
30	UCFL 206 CX	80182	84662	87433	117	149	86	10,5	26	20	41	54	56	60	50	19500	11300	13000	80011	80053	84100	80354	82278	82279	87531	87530
30	MUCFL 206 CX	80540	84698	87704	90	122	86	10,5	19	13	35	52	54,5	60	50	19500	11300	13000	82765	82764	87270	87272	87559	87560	87570	87571
35	UCFL 207 CX	80183	84663	87434	130	163	94	10,5	26	20	45	57	59	70	55	25500	15300	14000	80077	80078	80969	80275	82284	82285	87544	87545
35	MUCFL 207 CX	83992	84699	87705	117	147	112	10,5	27	20	45,3	57	59,6	70	55	25500	15300	14000	80077	80078	80969	80275	82284	82285	87544	87545
40	UCFL 208 CX	85225	85227	87435	144	172	100	10,5	27	19,5	48,5	65,5	71	78	65	32500	19800	15000	80256	80257	83088	86722	82280	82281	87528	82804
40	MUCFL 208 CX	83993	84700	87706	117	147	112	10,5	27	19,5	48,5	65,5	68	78	65	32500	19800	15000	80256	80257	83088	86722	82280	82281	87528	82804

ECCENTRIC COLLAR SHAFT LOCKING

D	SERIE	CHROME STEEL BEARING										COVER CODES												
		Support CODES			DIMENSIONS (mm)							Bearing load (N)		Bearing support load		GREY RAL 7042								
		Black	White	Blue Ral 5005	E	A	B	S	G	I	Z	U	T	DF Max	DF Min	C	CO	(N)	Closed	Open				
20	UCFL 204 CX	88488	88497	88508	90	118	64	10,5	19	15,5	39	51	53,5			45	40	12800	6600	8500	88371	88372		
20	MUCFL 204 CX	88489	88498	88509	90	122	86	10,5	19	16	39,5	51	53,5	45	40	12800	6600	8500	88371	88372				
20	MUCFL 204 CX	88490	88499	88510	76,5	100	70	10,5	11	15,5	39	50,9	53,4	45	40	12800	6600	8500	88371	88372				
25	UCFL 205 CX	88491	88500	88511	99	131	72	10,5	22	17,4	40,9	52,9	55,4	50	45	14000	7800	10000	88373	88374				
25	MUCFL 205 CX	88492	88501	88512	90	122	86	10,5	19	15,5	39	50	52,4	50	45	14000	7800	10000	88373	88374				
30	UCFL 206 CX	82490	88502	88513	117	149	86	10,5	26	20	47,4	59,4	61,9	60	50	19500	11300	13000	88375	88376				
30	MUCFL 206 CX	88493	88503	88514	90	122	86	10,5	19	13	39,7	52	54,5	60	50	19500	11300	13000	82765	82764				
35	UCFL 207 CX	84255	88504	88515	130	163	94	10,5	26	20	49,3	61,3	63,8	70	55	25500	15300	14000	88377	88378				
35	MUCFL 207 CX	88494	88505	88516	117	147	112	10,5	27	20	49,3	62	64,4	70	55	25500	15300	14000	88377	88378				
40	UCFL 208 CX	88495	88506	88517	144	172	100	10,5	27	19,5	52,2	65	68	78	65	32500	19800	15000	80256	80257				
40	MUCFL 208 CX	88496	88507	88518	117	147	112	10,5	27	19,5	52,2	65,5	68	78	65	32500	19800	15000	80256	80257				

NEW

GRUB SCREWS SHAFT LOCKING

D	SERIE	STAINLESS STEEL BEARING AISI 440										COVER CODES														
		Support CODES			DIMENSIONS (mm)							Bearing load (N)		Bearing support load		GREY RAL 7042		BLUE RAL 5015		ORANGE RAL 2004		RED RAL 3000				
		Black	White	Blue Ral 5005	E	A	B	S	G	I	Z	U	T	DF Max	DF Min	C	CO	(N)	Closed	Open	Closed	Open	Closed	Open	Closed	Open
20	UCFL 204 CX	81053	84664	87707	90	118	64	10,5	19	15,5	33,5	44	46,5			45	40	8300	6600	8500	80254	80255	87259	83901	82305	82306
20	MUCFL 204 CX	83045	84701	87708	90	122	86	10,5	19	16	34	44	46,5	45	40	8300	6600	8500	80254	80255	87259	83901	82305	82306	87540	87541
20	MUCFL 204 CX	87225	87226	87709	76,5	100	70	10,5	11	15,5	33,5	44	46,5	45	40	8300	6600	8500	80254	80255	87259	83901	82305	82306	87540	87541
25	UCFL 205 CX	81054	84665	87710	99	131	72	10,5	22	17	36	47	49	50	45	9150	7800	10000	80075	80076	85384	85385	82276	82277	87542	87543
25	MUCFL 205 CX	83046	84702	87711	90	122	86	10,5	19	15,5	35	44	46,5	50	45	9150	7800	10000	80075	80076	85384	85385	82276	82277	87542	87543
30	UCFL 206 CX	81055	84666	87712	117	149	86	10,5	26	20	41	54	56	60	50	12500	11200	13000	80011	80053	84100	80354	82278	82279	87531	87530
30	MUCFL 206 CX	83047	84703	87713	90	122	86	10,5	19	13	35	52	54,5	60	50	12500	11200	13000	82765	82764	87270	87272	87559	87560	87570	87571
35	UCFL 207 CX	81056	84667	87714	130	163	94	10,5	26	20	45	57	59	70	55	16600	15300	14000	80077	80078	80969	80275	82284	82285	87544	87545
35	MUCFL 207 CX	84019	84704	87715	117	147	112	10,5	27	20	45,3	57	59,6	70	55	16600	15300	14000	80077	80078	80969	80275	82284	82285	87544	87545
40	UCFL 208 CX	85226	85228	87716	144	172	100	10,5	27	19,5	48,5	65,5	71	78	65	20000	19000	15000	80256	80257	83088	86722	82280	82281	87528	82804
40	MUCFL 208 CX	83994	84705	87717	117	147	112	10,5	27	19,5	48,5	65,5	68	78	65	20000	19000	15000	80256	80257	83088	86722	82280	82281	87528	82804

GRUB SCREWS SHAFT LOCKING - VERSIONS WITH MEASURES IN INCHES

D (inches)	D (mm)	SERIE	CHROME STEEL BEARING										COVER CODES														
			Support CODES			DIMENSIONS (mm)							Bearing load (N)		Bearing support load		GREY RAL 7042		BLUE RAL 5015		ORANGE RAL 2004		RED RAL 3000				
			Black	White	Blue Ral 5005	E	A	B	S	G	I	Z	U	T	DF Max	DF Min	C	CO	(N)	Closed	Open	Closed	Open	Closed	Open	Closed	Open
1"	25,4	UCFL 205 CX	84510	84899	87719	99	131	72	10,5	22	17	36	47	49			50	45	14000	7800	10000	80075	85202	85384	87273	82276	87660
1"	25,4	MUCFL 205 CX	84517	84983	87720	90	122	86	10,5	19	15,5	35	44	46,5	50	45	14000	7800	10000	80075	85202	85384	87273	82276	87660	87542	87663
1 1/4"	31,75	UCFL 206 CX	84511	84900	87721	117	149	86	10,5	26	20	41	54	56	60	50	19500	11300	13000	80011	85203	84100	87274	82278	87661	87531	87664
1 1/4"	31,75	MUCFL 206 CX	84518	84984	87722	90	122	86	10,5	19	13	35	52	54,5	60	50	19500	11300	13000	82765	85206	87270	87276	87559	87666	87570	87667



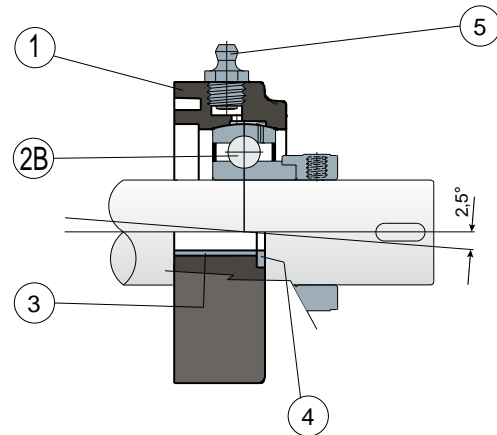
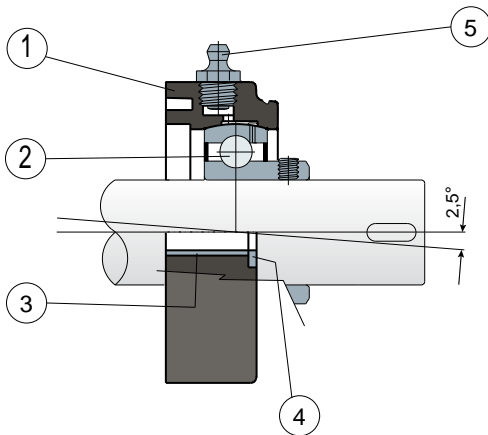
Oval flanged bearing supports

Serie **UCFL**
Serie **MUCFL**



Grub screws shaft locking - Without cover and back gasket

Eccentric collar shaft locking - Without cover and back gasket



- 1) Housing made out of black, white or blue Ral 5005 colour polyamide reinforced with glass fibers.
- 2) Chrome steel or stainless steel bearing AISI 440.
- 2B) Chrome steel bearing.
- 3) Spacer for fixing reinforcement made out of stainless steel AISI 304.
- 4) UNI 6592 support washer made out of stainless steel AISI 304.
- 5) Greaser, straight type with 1/8 gas thread, made out of nickel-plated brass.

NOTE: The only difference from UCFL/C series is lack of back gasket and protection cover, which can be ordered separately as accessories.

Support dimensions respect ISO 3228 set of rules.

Maximum shaft alignment error 2,5°

For further information please contact our technical office or sales department.

MATERIALS: Housing is made out of PA + glass fiber in black, white or blue Ral 5005 colours; bearing with grub screws shaft locking in chrome steel or stainless steel; bearing with eccentric collar shaft locking in chrome steel; greaser made out of nickel plated brass; reinforcement bushings and washers made out of stainless steel AISI 304; gaskets made out of NBR rubber; cover made out of polypropylene grey Ral 7042, blue Ral 5015, orange Ral 2004 or red Ral 3000 colour.

FEATURES: The difference from UCFL/C series is lack of back gasket and protection cover, which can be ordered separately as accessories. Assembly with shouldered and not shouldered shafts. Maximum shaft alignment error 2.5°.

BOX QUANTITY: 8 pieces.

ON REQUEST: Versions with body in polypropylene + glass fiber and antibacterial additive; protection cover in different colours and with customized brand; box quantity according to your request; Viton gaskets, "Long life" bearings.

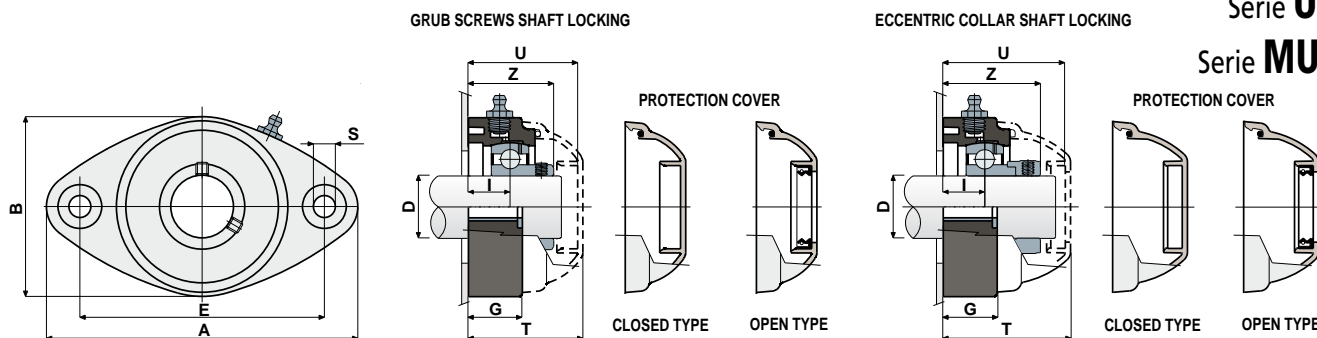


Oval flanged bearing supports

Technical data

Serie UCFL

Serie MUCFL



GRUB SCREWS SHAFT LOCKING

D	SERIE	Support CODES		CHROME STEEL BEARING										Bearing load (N)		Bearing support load		COVER CODES							
		Black	White	Blue Ral 5005	DIMENSIONS (mm)										C	CO	(N)	GREY RAL 7042		BLUE RAL 5015		ORANGE RAL 2004		RED RAL 3000	
					E	A	B	S	G	I	Z	U	T	Closed				Open	Closed	Open	Closed	Open	Closed	Open	
20	UCFL 204	80265	84668	87723	90	118	64	10,5	19	15,5	33,5	44	46,5	12800	6600	8500	80254	80255	87259	83901	82305	82306	87540	87541	
20	MUCFL 204	83037	84706	87724	90	122	86	10,5	19	16	34	44	46,5	12800	6600	8500	80254	80255	87259	83901	82305	82306	87540	87541	
20	MUCFL 204	87217	87218	87725	76,5	100	70	10,5	11	15,5	33,5	44	46,5	12800	6600	8500	80254	80255	87259	83901	82305	82306	87540	87541	
25	UCFL 205	80063	84669	87726	99	131	72	10,5	22	17	36	47	49	14000	7800	10000	80075	80076	85384	85385	82276	82277	87542	87543	
25	MUCFL 205	83038	84707	87727	90	122	86	10,5	19	15,5	35	44	46,5	14000	7800	10000	80075	80076	85384	85385	82276	82277	87542	87543	
30	UCFL 206	80064	84670	87728	117	149	86	10,5	26	20	41	54	56	19500	11300	13000	80011	80053	84100	80354	82278	82279	87531	87530	
30	MUCFL 206	80542	84708	87729	90	122	86	10,5	19	13	35	52	54,5	19500	11300	13000	82765	82764	87270	87272	87559	87560	87570	87571	
35	UCFL 207	80065	84671	87730	130	163	94	10,5	26	20	45	57	59	25500	15300	14000	80077	80078	80969	80275	82284	82285	87544	87545	
35	MUCFL 207	83995	84709	87731	117	147	112	10,5	27	20	45,3	57	59,6	25500	15300	14000	80077	80078	80969	80275	82284	82285	87544	87545	
40	UCFL 208	85229	85231	87732	144	172	100	10,5	27	19,5	48,5	65,5	71	32500	19800	15000	80256	80257	83088	86722	82280	82281	87528	82804	
40	MUCFL 208	83996	84710	87733	117	147	112	10,5	27	19,5	48,5	65,5	68	32500	19800	15000	80256	80257	83088	86722	82280	82281	87528	82804	

ECCENTRIC COLLAR SHAFT LOCKING

D	SERIE	Support CODES		CHROME STEEL BEARING										Bearing load (N)		Bearing support load		COVER CODES	
		Black	White	Blue Ral 5005	DIMENSIONS (mm)										C	CO	(N)	GREY RAL 7042	
					E	A	B	S	G	I	Z	U	T	Closed				Open	
20	UCFL 204	88519	88529	88540	90	118	64	10,5	19	15,5	39	51	53,5	12800	6600	8500	88371	88372	
20	MUCFL 204	88520	88530	88541	90	122	86	10,5	19	16	39,5	51	53,5	12800	6600	8500	88371	88372	
20	MUCFL 204	88521	88531	88542	76,5	100	70	10,5	11	15,5	39	50,9	53,4	12800	6600	8500	88371	88372	
25	UCFL 205	88522	88532	88543	99	131	72	10,5	22	17,4	40,9	52,9	55,4	14000	7800	10000	88373	88374	
25	MUCFL 205	88523	88533	88544	90	122	86	10,5	19	15,5	39	50	52,4	14000	7800	10000	88373	88374	
30	UCFL 206	83985	88534	88545	117	149	86	10,5	26	20,7	47,4	59,4	61,9	19500	11300	13000	88375	88376	
30	MUCFL 206	88524	88535	88546	90	122	86	10,5	19	13	39,7	52	54,5	19500	11300	13000	82765	82764	
35	UCFL 207	88525	88536	88547	130	163	94	10,5	26	20	49,3	61,3	63,8	25500	15300	14000	88377	88378	
35	MUCFL 207	88526	88537	88548	117	147	112	10,5	27	20	49,3	62	64,4	25500	15300	14000	88377	88378	
40	UCFL 208	88527	88538	88549	144	172	100	10,5	27	19,5	52,2	65	68	32500	19800	15000	80256	80257	
40	MUCFL 208	88528	88539	88550	117	147	112	10,5	27	19,5	52,2	65,5	68	32500	19800	15000	80256	80257	

NEW

GRUB SCREWS SHAFT LOCKING

D	SERIE	Support CODES		STAINLESS STEEL BEARING AISI 440										Bearing load (N)		Bearing support load		COVER CODES							
		Black	White	Blue Ral 5005	DIMENSIONS (mm)										C	CO	(N)	GREY RAL 7042		BLUE RAL 5015		ORANGE RAL 2004		RED RAL 3000	
					E	A	B	S	G	I	Z	U	T	Closed				Open	Closed	Open	Closed	Open	Closed	Open	
20	UCFL 204	80519	84672	87734	90	118	64	10,5	19	15,5	33,5	44	46,5	8300	6600	8500	80254	80255	87259	83901	82305	82306	87540	87541	
20	MUCFL 204	83048	84711	87735	90	122	86	10,5	19	16	34	44	46,5	8300	6600	8500	80254	80255	87259	83901	82305	82306	87540	87541	
20	MUCFL 204	87227	87228	87736	76,5	100	70	10,5	11	15,5	33,5	44	46,5	8300	6600	8500	80254	80255	87259	83901	82305	82306	87540	87541	
25	UCFL 205	80520	84673	87737	99	131	72	10,5	22	17	36	47	49	9150	7800	10000	80075	80076	85384	85385	82276	82277	87542	87543	
25	MUCFL 205	83049	84712	87738	90	122	86	10,5	19	15,5	35	44	46,5	9150	7800	10000	80075	80076	85384	85385	82276	82277	87542	87543	
30	UCFL 206	80521	84674	87739	117	149	86	10,5	26	20	41	54	56	12500	11200	13000	80011	80053	84100	80354	82278	82279	87531	87530	
30	MUCFL 206	83050	84713	87740	90	122	86	10,5	19	13	35	52	54,5	12500	11200	13000	82765	82764	87270	87272	87559	87560	87570	87571	
35	UCFL 207	80522	84675	87741	130	163	94	10,5	26	20	45	57	59	16600	15300	14000	80077	80078	80969	80275	82284	82285	87544	87545	
35	MUCFL 207	84020	84714	87742	117	147	112	10,5	27	20	45,3	57	59,6	16600	15300	14000	80077	80078	80969	80275	82284	82285	87544	87545	
40	UCFL 208	85230	85232	87743	144	172	100	10,5	27	19,5	48,5	65,5	71	20000	19000	15000	80256	80257	83088	86722	82280	82281	87528	82804	
40	MUCFL 208	83997	84715	87744	117	147	112	10,5	27	19,5	48,5	65,5	68	20000	19000	15000	80256	80257	83088	86722	82280	82281	87528	82804	

GRUB SCREWS SHAFT LOCKING - VERSIONS WITH MEASURES IN INCHES

D		SERIE	Support CODES		CHROME STEEL BEARING										Bearing load (N)		Bearing support load		COVER CODES							
			Black	White	Blue Ral 5005	DIMENSIONS (mm)										C	CO	(N)	GREY RAL 7042		BLUE RAL 5015		ORANGE RAL 2004		RED RAL 3000	
						E	A	B	S	G	I	Z	U	T	Closed				Open	Closed	Open	Closed	Open	Closed	Open	
1"	25,4	UCFL 205	84513	84903	87745	99	131	72	10,5	22	17	36	47	49	14000	7800	10000	80075	85202	85384	87273	82276	87660	87542	87663	
1"	25,4	MUCFL 205	84519	84985	87746	90	122	86	10,5	19	15,5	35	44	46,5	14000	7800	10000	80075	85202	85384	87273	82276	87660	87542	87663	
1 1/4"	31,75	UCFL 206	84514	84904	87747	117	149	86	10,5	26	20	41	54	56	19500	11300	13000	80011	85203	84100	87274	82278	87661	87531	87664	
1 1/4"	31,75	MUCFL 206	84520	84986	87748	90	122	86	10,5	19	13	35	52	54,5	19500	11300	13000	82765	85206	87270	87276	87559	87666	87570	87667	



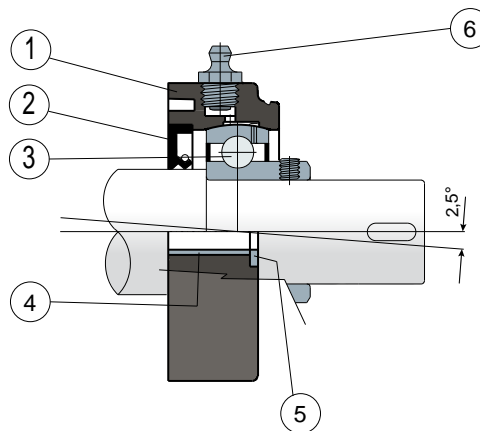
Oval flanged bearing supports

Serie **UCFL/CS**

Serie **MUCFL/CS**



Back gasket for shouldered shaft



- 1) Housing made out of black or white colour polyamide reinforced with glass fibers.
- 2) Back gasket made out of NBR rubber for turning shaft seal.
- 3) Chrome steel or stainless steel bearing AISI 440.
- 4) Spacer for fixing reinforcement made out of stainless steel AISI 304.
- 5) UNI 6592 support washer made out of stainless steel AISI 304.
- 6) Greaser, straight type with 1/8 gas thread, made out of nickel-plated brass.

Support dimensions respect ISO 3228 set of rules.

Maximum shaft alignment error 2,5°

For further information please contact our technical office or sales department.

MATERIALS: Housing is made out of PA + glass fiber in black or white colours; chrome steel or stainless steel bearing; greaser made out of nickel plated brass; reinforcement bushings and washers made out of stainless steel AISI 304; gaskets made out of NBR rubber; cover made out of polypropylene grey Ral 7042, blue Ral 5015, orange Ral 2004 or red Ral 3000 colour.

FEATURES: Back gasket for shouldered shafts; protection cover can be ordered separately as accessory. Use of shouldered shafts allows a higher capability of axial load. Maximum shaft alignment error 2.5°.

BOX QUANTITY: 8 pieces.

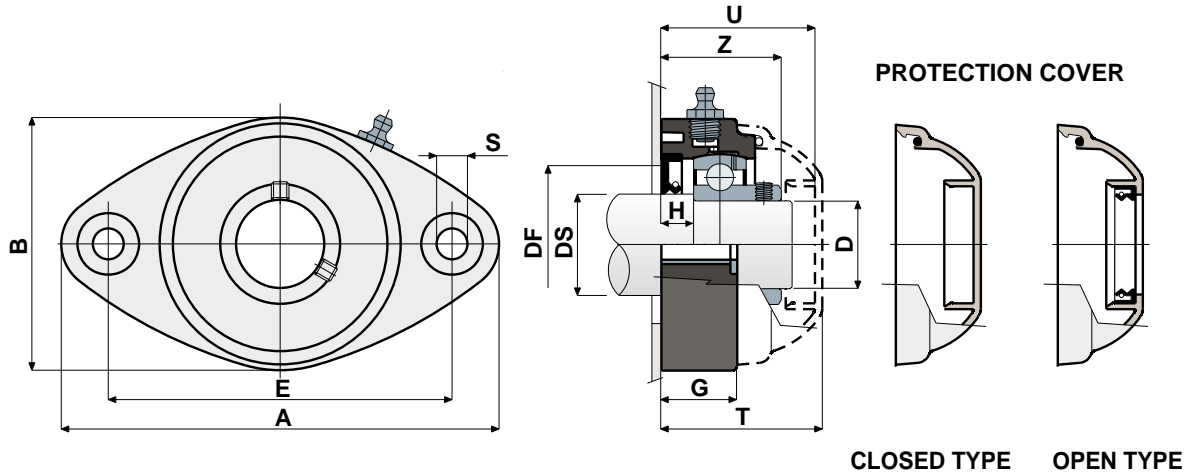
ON REQUEST: Versions with body in polypropylene + glass fiber and antibacterial additive; protection cover in different colours and with customized brand; box quantity according to your request; Viton gaskets, "Long life" bearings.



Oval flanged bearing supports

Technical data

Serie **UCFL/CS**
Serie **MUCFL/CS**



CHROME STEEL BEARING														COVER CODES													
DS	D	SERIE	Support CODES		DIMENSIONS (mm)										Bearing load (N)			Bearing support load		GREY RAL 7042		BLUE RAL 5015		ORANGE RAL 2004		RED RAL 3000	
			Black	White	E	A	B	S	G	H	Z	U	T	DF Max	DF Min	C	C0	(N)	Closed	Open	Closed	Open	Closed	Open	Closed	Open	
25	20	UCFL 204 CS	80266	85264	90	118	64	10,5	19	8,5	33,5	44	46,5	45	40	12800	6600	8500	80254	80255	87259	83901	82305	82306	87540	87541	
25	20	MUCFL 204 CS	87219	87220	76,5	100	70	10,5	11	8,5	33,5	44	46,5	45	40	12800	6600	8500	80254	80255	87259	83901	82305	82306	87540	87541	
30	25	UCFL 205 CS	80184	85265	99	131	72	10,5	22	10	36	47	49	50	45	14000	7800	10000	80075	80076	85384	85385	82276	82277	87542	87543	
35	30	UCFL 206 CS	80185	85266	117	149	86	10,5	26	11,5	41	54	56	60	50	19500	11300	13000	80011	80053	84100	80354	82278	82279	87531	87530	
40	35	UCFL 207 CS	80186	85267	130	163	94	10,5	26	10,5	45	57	59	70	55	25500	15300	14000	80077	80078	80969	80275	82284	82285	87544	87545	
45	40	UCFL 208 CS	85233	86004	144	172	100	10,5	27	8,5	48,5	65,5	71	78	65	32500	19800	15000	80256	80257	83088	86722	82280	82281	87528	82804	

STAINLESS STEEL BEARING AISI 440														COVER CODES													
DS	D	SERIE	Support CODES		DIMENSIONS (mm)										Bearing load (N)			Bearing support load		GREY RAL 7042		BLUE RAL 5015		ORANGE RAL 2004		RED RAL 3000	
			Black	White	E	A	B	S	G	H	Z	U	T	DF Max	DF Min	C	C0	(N)	Closed	Open	Closed	Open	Closed	Open	Closed	Open	
25	20	UCFL 204 CS	84148	85268	90	118	64	10,5	19	8,5	33,5	44	46,5	45	40	8300	6600	8500	80254	80255	87259	83901	82305	82306	87540	87541	
25	20	MUCFL 204 CS	87229	87230	76,5	100	70	10,5	11	8,5	33,5	44	46,5	45	40	8300	6600	8500	80254	80255	87259	83901	82305	82306	87540	87541	
30	25	UCFL 205 CS	83907	85269	99	131	72	10,5	22	10	36	47	49	50	45	9150	7800	10000	80075	80076	85384	85385	82276	82277	87542	87543	
35	30	UCFL 206 CS	80523	85270	117	149	86	10,5	26	11,5	41	54	56	60	50	12500	11200	13000	80011	80053	84100	80354	82278	82279	87531	87530	
40	35	UCFL 207 CS	84150	85271	130	163	94	10,5	26	10,5	45	57	59	70	55	16600	15300	14000	80077	80078	80969	80275	82284	82285	87544	87545	
45	40	UCFL 208 CS	85234	86005	144	172	100	10,5	27	8,5	48,5	65,5	71	78	65	20000	19000	15000	80256	80257	83088	86722	82280	82281	87528	82804	



Oval flanged bearing supports

Serie **UCFL/CA**



On request covers in polypropylene blue Ral 5015 colour.

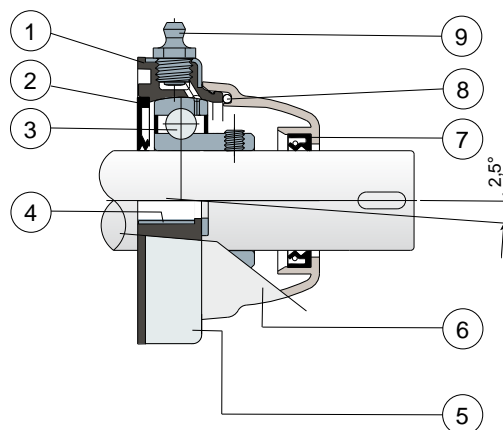


On request covers in polypropylene orange Ral 2004 colour.



On request covers in polypropylene red Ral 3000 colour.

External cover made out of stainless steel AISI 304



- 1) Internal body of support made out of black colour polypropylene reinforced with glass fibers.
- 2) Back gasket made out of NBR rubber for turning shaft seal.
- 3) Chrome steel or stainless steel bearing AISI 440.
- 4) Spacer for fixing reinforcement made out of stainless steel AISI 304.
- 5) External cover of support made out of AISI 304 stainless steel.
- 6) Protection cover made out of polypropylene (grey colour Ral 7042).
- 7) Front gasket made out of NBR rubber for turning shaft seal.
- 8) OR gasket made out of NBR rubber
- 9) Greaser, straight type with 1/8 gas thread, made out of nickel-plated brass.

Maximum shaft alignment error 2,5°

For further information please contact our technical office or sales department.

MATERIALS: Support made out of black colour PP + glass fiber; external cover of support made out of stainless steel AISI 304; chrome steel or stainless steel bearing; greaser made out of nickel plated brass; reinforcement bushings made out of stainless steel AISI 304; gaskets made out of NBR rubber; protection cover made out of grey RAL 7042 colour polypropylene.

FEATURES: Full protection of bearing against external agents. Housing in polypropylene covered with a layer of AISI 304 stainless steel, to obtain the maximum chemical resistance to antibacterial detergents used in the food processing sector. More over this part is moulded without internal cavities in order to obtain the best sanification. Assembly with not shouldered shaft. Maximum shaft alignment error 2.5°.

BOX QUANTITY: 8 pieces.

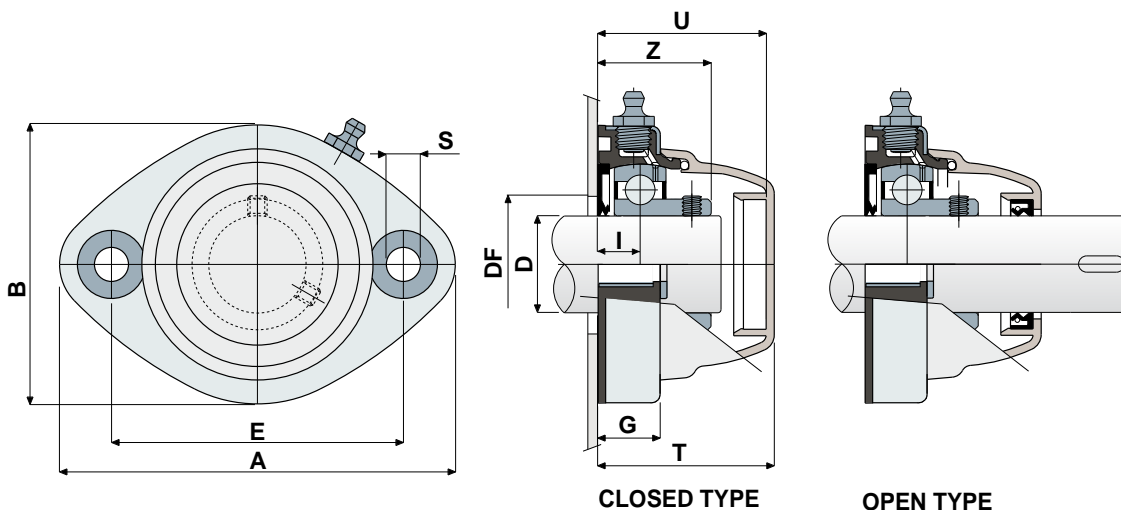
ON REQUEST: Protection covers in different colours and with customized brand; internal body in reinforced polypropylene white or blue Ral 5005 colour; supports with eccentric collar shaft locking with chrome steel bearing; box quantity according to your request; Viton gaskets, "Long life" bearings.



Oval flanged bearing supports

Technical data

Serie **UCFL/CA**



CHROME STEEL BEARING																	
D (mm)	SERIE	CODES		DIMENSIONS (mm)											Bearing load (N)		Bearing support load
		Closed	Open	E	A	B	S	G	I	Z	U	T	DF		C	C0	(N)
													Max	Min			
30	UCFL 206 CA	84021	83999	117	147	112	11	27	21	42	65,5	68	60	50	19500	11300	13000
35	UCFL 207 CA	84022	84000	117	147	112	11	27	20	45,3	65,5	68	70	55	25500	15300	14000
40	UCFL 208 CA	84023	84001	117	147	112	11	27	20	48,5	65,5	68	78	65	32500	19800	15000

STAINLESS STEEL BEARING AISI 440																	
D (mm)	SERIE	CODES		DIMENSIONS (mm)											Bearing load (N)		Bearing support load
		Closed	Open	E	A	B	S	G	I	Z	U	T	DF		C	C0	(N)
													Max	Min			
30	UCFL 206 CA	84024	84002	117	147	112	11	27	21	42	65,5	68	60	50	12500	11200	13000
35	UCFL 207 CA	84006	84003	117	147	112	11	27	20	45,3	65,5	68	70	55	16600	15300	14000
40	UCFL 208 CA	84010	84005	117	147	112	11	27	20	48,5	65,5	68	78	65	20000	19000	15000

VERSIONS WITH MEASURES IN INCHES

CHROME STEEL BEARING																		
D (inches)	D (mm)	SERIE	CODES		DIMENSIONS (mm)											Bearing load (N)		Bearing support load
			Closed	Open	E	A	B	S	G	I	Z	U	T	DF		C	C0	(N)
														Max	Min			
1"1/4	31,75	UCFL 206 CA	84521	84541	117	147	112	11	27	21	42	65,5	68	60	50	19500	11300	13000

Self-aligning bearings with Solid body: completely closed surface to guarantee the max hygiene.



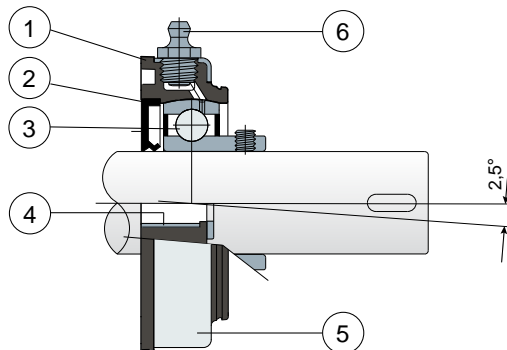
Oval flanged bearing supports

Serie **UCFL/CXA**



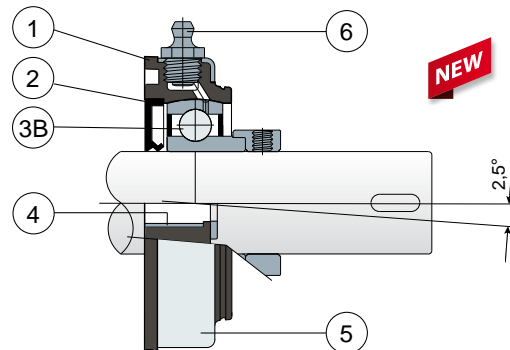
Grub screws shaft locking

External cover made out of stainless steel AISI 304; without protection cover



Eccentric collar shaft locking

External cover made out of stainless steel AISI 304; without protection cover



- 1) Internal body of support made out of black colour polypropylene reinforced with glass fibers.
- 2) Back gasket made out of NBR rubber for turning shaft seal.
- 3) Chrome steel or stainless steel bearing AISI 440.
- 3B) Chrome steel bearing.
- 4) Spacer for fixing reinforcement made out of stainless steel AISI 304.
- 5) External cover of support made out of AISI 304 stainless steel.
- 6) Greaser, straight type with 1/8 gas thread, made out of nickel-plated brass.

NOTE: The only difference from UCFL/CA series is lack of protection cover, which can be ordered separately as an accessory.

Maximum shaft alignment error 2,5°

For further information please contact our technical office or sales department.

MATERIALS: Support made out of black colour PP + glass fiber; external cover of support made out of stainless steel AISI 304; bearing with grub screws shaft locking in chrome steel or stainless steel; bearing with eccentric collar shaft locking in chrome steel; greaser made out of nickel plated brass; reinforcement bushings made out of stainless steel AISI 304; gaskets made out of NBR rubber; protection cover made out of polypropylene grey Ral 7042, blue Ral 5015, orange Ral 2004 or red Ral 3000 colour.

FEATURES: The only difference from UCFL/CA series is lack of protection cover, which can be ordered separately as an accessory. Housing in polypropylene covered with a layer of AISI 304 stainless steel, to obtain the maximum chemical resistance to antibacterial detergents used in the food processing sector. More over this part is moulded without internal cavities in order to obtain the best sanification. Assembly with not shouldered shaft. Maximum shaft alignment error 2.5°.

BOX QUANTITY: 8 pieces.

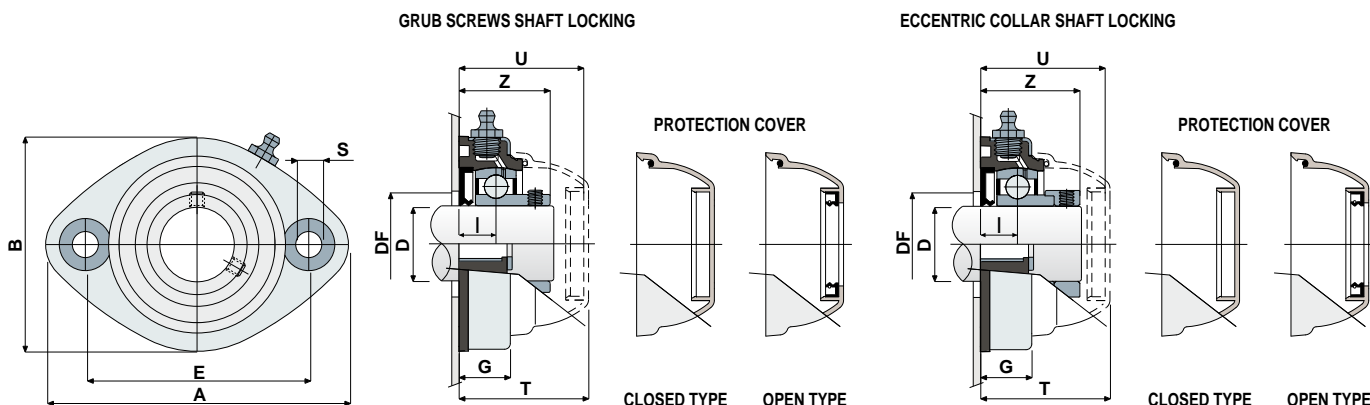
ON REQUEST: Protection covers in different colours and with customized brand; internal body in reinforced polypropylene white or blue Ral 5005 colour; box quantity according to your request; Viton gaskets, "Long life" bearings.



Oval flanged bearing supports

Technical data

Serie **UCFL/CXA**



GRUB SCREWS SHAFT LOCKING

D (mm)	SERIE	Support CODES	CHROME STEEL BEARING										COVER CODES											
			DIMENSIONS (mm)										Bearing load (N)		Bearing support load		GREY RAL 7042		BLUE RAL 5015		ORANGE RAL 2004		RED RAL 3000	
			E	A	B	S	G	I	Z	U	T	DF	C	CO	(N)	Closed	Open	Closed	Open	Closed	Open	Closed	Open	
30	UCFL 206 CXA	84007	117	147	112	11	27	21	42	65,5	68	60	50	19500	11300	13000		80494		87271		87555		87569
35	UCFL 207 CXA	84008	117	147	112	11	27	20	45,3	65,5	68	70	55	25500	15300	14000	80256	80495	83088	87277	82280	87557	87528	87529
40	UCFL 208 CXA	84009	117	147	112	11	27	19,5	48,5	65,5	68	78	65	32500	19800	15000		80257		86722		82281		82804

ECCENTRIC COLLAR SHAFT LOCKING

D (mm)	SERIE	Support CODES	CHROME STEEL BEARING										COVER CODES					
			DIMENSIONS (mm)										Bearing load (N)		Bearing support load		GREY RAL 7042	
			E	A	B	S	G	I	Z	U	T	DF	C	CO	(N)	Closed	Open	
30	UCFL 206 CXA	88552	117	147	112	11	27	21	47,7	65,5	68	60	50	19500	11300	13000		80494
35	UCFL 207 CXA	88553	117	147	112	11	27	20	49,3	65,5	68	70	55	25500	15300	14000	80256	80495
40	UCFL 208 CXA	88554	117	147	112	11	27	19,5	52,2	65,5	68	78	65	32500	19800	15000		80257



GRUB SCREWS SHAFT LOCKING

D (mm)	SERIE	Support CODES	STAINLESS STEEL BEARING AISI 440										COVER CODES											
			DIMENSIONS (mm)										Bearing load (N)		Bearing support load		GREY RAL 7042		BLUE RAL 5015		ORANGE RAL 2004		RED RAL 3000	
			E	A	B	S	G	I	Z	U	T	DF	C	CO	(N)	Closed	Open	Closed	Open	Closed	Open	Closed	Open	
30	UCFL 206 CXA	84011	117	147	112	11	27	21	42	65,5	68	60	50	12500	11200	13000		80494		87271		87555		87569
35	UCFL 207 CXA	84012	117	147	112	11	27	20	45,3	65,5	68	70	55	16600	15300	14000	80256	80495	83088	87277	82280	87557	87528	87529
40	UCFL 208 CXA	84013	117	147	112	11	27	19,5	48,5	65,5	68	78	65	20000	19000	15000		80257		86722		82281		82804

GRUB SCREWS SHAFT LOCKING - VERSIONS WITH MEASURES IN INCHES

D (inches)	D (mm)	SERIE	Support CODES	CHROME STEEL BEARING										COVER CODES											
				DIMENSIONS (mm)										Bearing load (N)		Bearing support load		GREY RAL 7042		BLUE RAL 5015		ORANGE RAL 2004		RED RAL 3000	
				E	A	B	S	G	I	Z	U	T	DF	C	CO	(N)	Closed	Open	Closed	Open	Closed	Open	Closed	Open	
1 1/4	31,75	UCFL 206 CXA	84522	117	147	112	11	27	21	42	65,5	68	60	50	19500	11300	13000	80256	85204	83088	87275	82280	87662	87528	87665



Self-aligning bearings with Solid body: completely closed surface to guarantee the max hygiene.

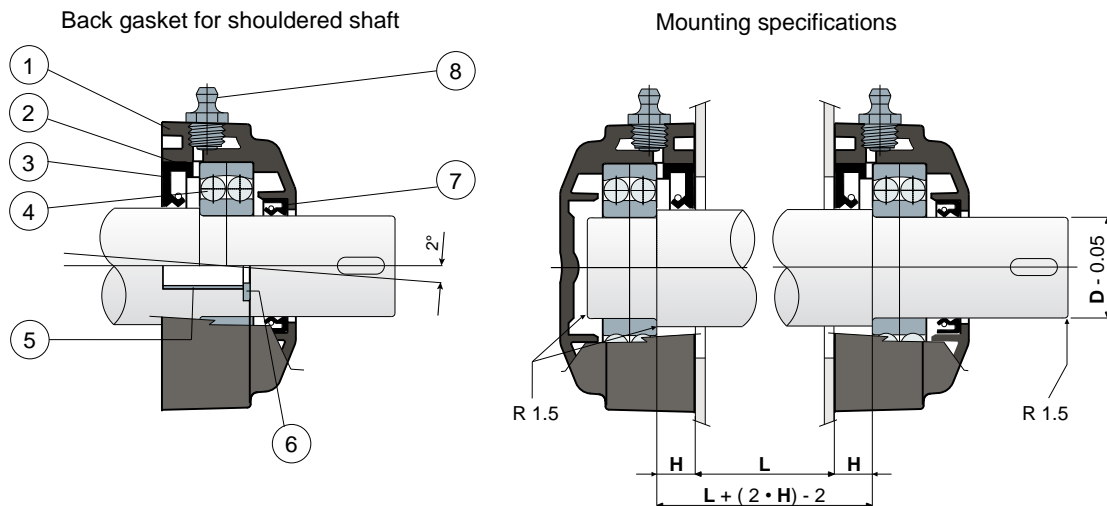


Oval flanged bearing supports

Serie **FL**



The bearing cover integrated into the body of the support guarantees maximum sanitation



- 1) Housing made out of black or white colour polyamide reinforced with glass fibers.
- 2) Intermediate bearing ring spacer made out of black colour polyamide reinforced with glass fibers.
- 3) Back gasket made out of NBR rubber for turning shaft seal.
- 4) Chrome steel bearing type 1200 supplied without lubricant.
- 5) Spacer for fixing reinforcement made out of stainless steel AISI 304.
- 6) UNI 6592 support washer made out of stainless steel AISI 304.
- 7) Front gasket made out of NBR rubber for turning shaft seal.
- 8) Greaser, straight type with 1/8 gas thread, made out of nickel-plated brass.

Support dimensions respect ISO 3228 set of rules

Maximum shaft alignment error 2°

For further information please contact our technical office or sales department.

MATERIALS: Housing is made out of PA + glass fiber in black or white colours; Intermediate bearing ring spacer made out of black colour PA + glass fiber; chrome steel bearing; greaser made out of nickel plated brass; reinforcement bushings and washers made out of stainless steel AISI 304; gaskets made out of NBR rubber.

FEATURES: Back gasket for shouldered shafts. Use of shouldered shafts allows a higher capability of axial load. Maximum shaft alignment error 2° .

BOX QUANTITY: 8 pieces.

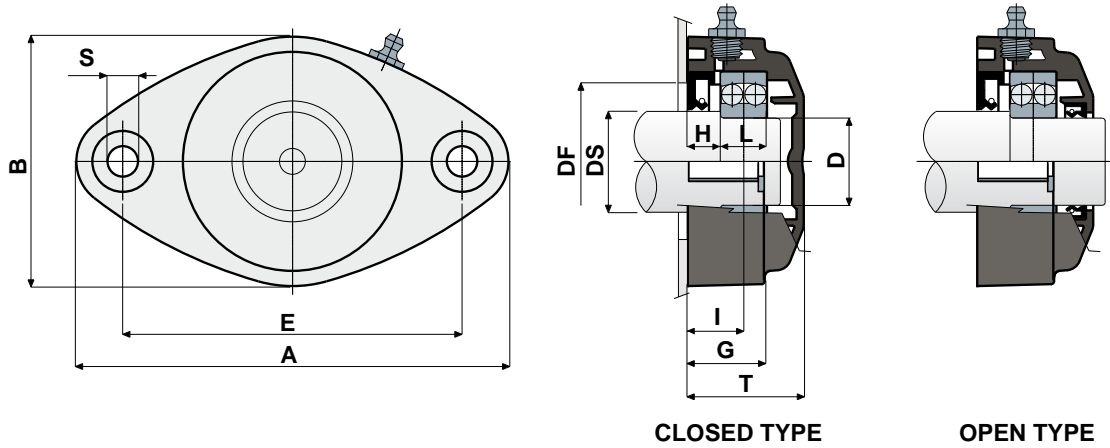
ON REQUEST: Versions with body in polypropylene + glass fiber and antibacterial additive; box quantity according to your request; Viton gaskets.



Oval flanged bearing supports

Technical data

Serie **FL**

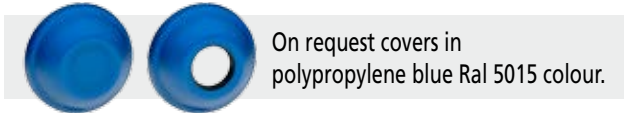


CHROME STEEL BEARING																				
DS	D	SERIE	CODES				DIMENSIONS (mm)											Bearing load (N)		Bearing support load (N)
			Black		White		E	A	B	S	G	H	I	L	T	DF		C	CO	
			Closed	Open	Closed	Open										Max	Min			
30	25	FL 1205	87493	87499	87494	87500	99	131	72	10,5	22	11	18,8	15	36,5	50	45	14300	4000	11500
35	30	FL 1206	87505	87511	87506	87512	117	149	86	10,5	26	11	19,3	16	40	60	50	15600	4650	12650



Oval flanged bearing supports

Serie **UCFL/C**



On request covers in polypropylene blue Ral 5015 colour.

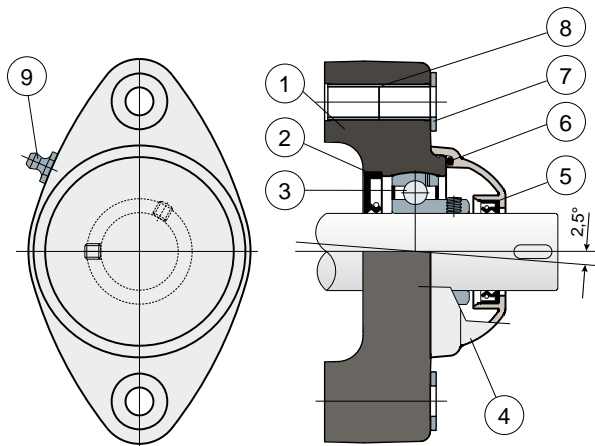


On request covers in polypropylene grey Ral 7042 colour.



On request covers in polypropylene red Ral 3000 colour.

Full protection of bearing



- 1) Housing made out of blue Ral 5005 colour polyamide reinforced with glass fibers.
- 2) Back gasket made out of NBR rubber for turning shaft seal.
- 3) Chrome steel or stainless steel bearing AISI 440.
- 4) Protection cover made out of polypropylene (orange Ral 2004 colour).
- 5) Front gasket made out of NBR rubber for turning shaft seal.
- 6) OR gasket made out of NBR rubber.
- 7) UNI 6592 support washer made out of stainless steel AISI 304.
- 8) Spacer for fixing reinforcement made out of stainless steel AISI 304.
- 9) Greaser, straight type with 1/8 gas thread, made out of stainless steel AISI 303.

Support dimensions respect ISO 3228 set of rules
 Maximum shaft alignment error 2,5°
 For further information please contact our technical office or sales department.

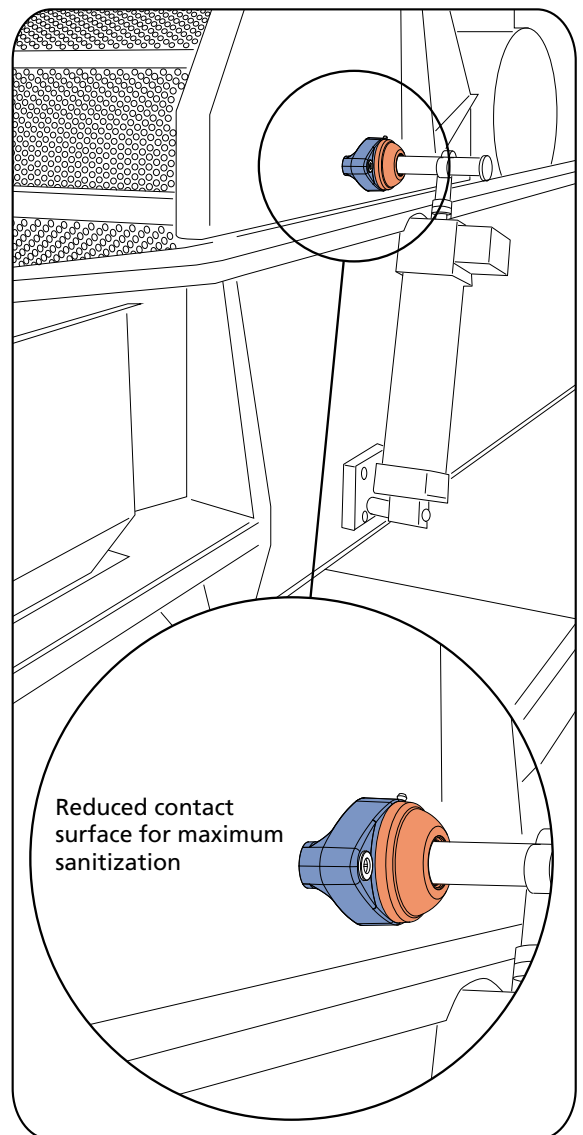
MATERIALS: Support made out of blue Ral 5005 colour PA + glass fiber; chrome steel or stainless steel bearing; greaser made out of stainless steel; reinforcement bushings and washers made out of stainless steel AISI 304; gaskets made out of NBR rubber; cover made out of orange Ral 2004 colour polypropylene.

FEATURES: Full protection of bearing against external agents. Assembly with not shouldered shafts. The reduced contact surface of the base of the support allows maximum sanification. Maximum shaft alignment error 2.5°.

BOX QUANTITY: 8 pieces.

ON REQUEST: Versions with body in polypropylene + glass fiber and antibacterial additive; supports with eccentric collar shaft locking with chrome steel bearing; protection cover in different colours and with customized brand; box quantity according to your request; Viton gaskets, "Long life" bearings.

Example of application

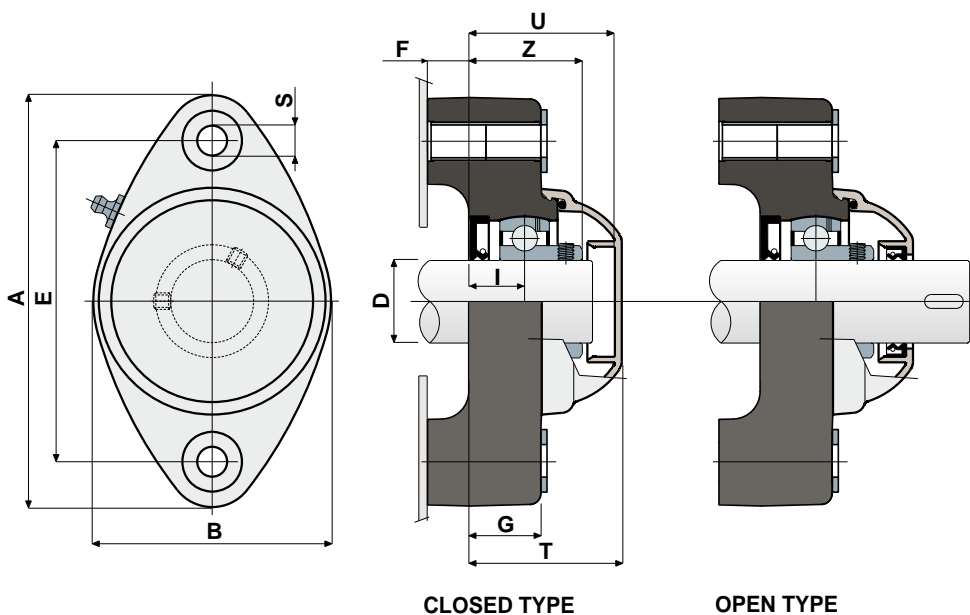




Oval flanged bearing supports

Technical data

Serie **UCFL/C**



CHROME STEEL BEARING																
D	SERIE	CODES		DIMENSIONS (mm)										Bearing load (N)		Bearing support load
		Blue Ral 5005		E	A	B	S	F	G	I	Z	U	T	C	C0	(N)
		Closed	Open													
25	UCFL 205 C	88633	88635	99	131	72	10,5	15	22	17,4	37	47	49,5	14000	7800	10000
30	UCFL 206 C	87425	87426	117	149	86	10,5	15	26	20	42	53	56	19500	11300	13000

STAINLESS STEEL BEARING AISI 440																
D	SERIE	CODES		DIMENSIONS (mm)										Bearing load (N)		Bearing support load
		Blue Ral 5005		E	A	B	S	F	G	I	Z	U	T	C	C0	(N)
		Closed	Open													
25	UCFL 205 C	88634	88636	99	131	72	10,5	15	22	17,4	37	47	49,5	9150	7800	10000
30	UCFL 206 C	87749	87750	117	149	86	10,5	15	26	20	42	53	56	12500	11200	13000

S Self-aligning bearings with Solid body: completely closed surface to guarantee the max hygiene.

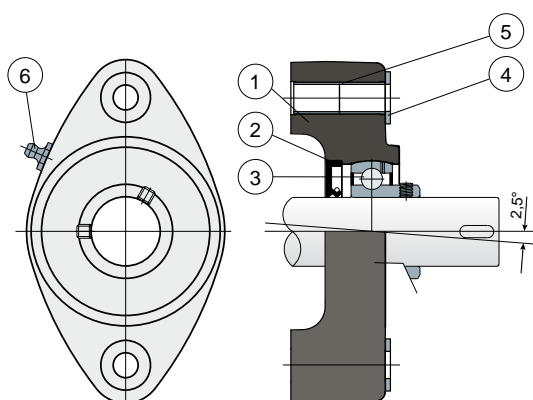


Oval flanged bearing supports

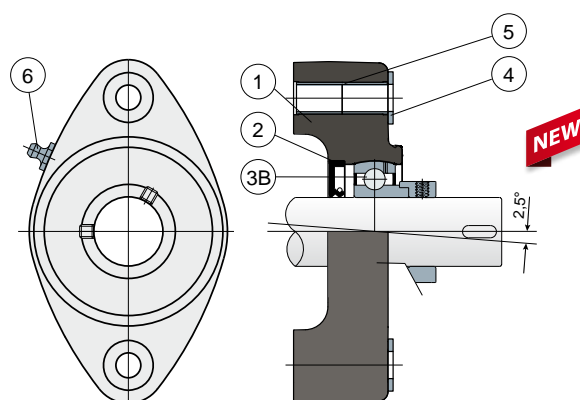
Serie UCFL/CX



Grub screws shaft locking - Without protection cover



Eccentric collar shaft locking - Without protection cover



- 1) Housing made out of blue Ral 5005 colour polyamide reinforced with glass fibers.
- 2) Back gasket made out of NBR rubber for turning shaft seal.
- 3) Chrome steel or stainless steel bearing AISI 440.
- 3B) Chrome steel bearing.
- 4) UNI 6592 support washer made out of stainless steel AISI 304.
- 5) Spacer for fixing reinforcement made out of stainless steel AISI 304.
- 6) Greaser, straight type with 1/8 gas thread, made out of stainless steel AISI 303.

NOTE: The only difference from UCFL/C series is lack of protection cover, which can be ordered separately as an accessory.

Support dimensions respect ISO 3228 set of rules

Maximum shaft alignment error 2,5°

For further information please contact our technical office or sales department.

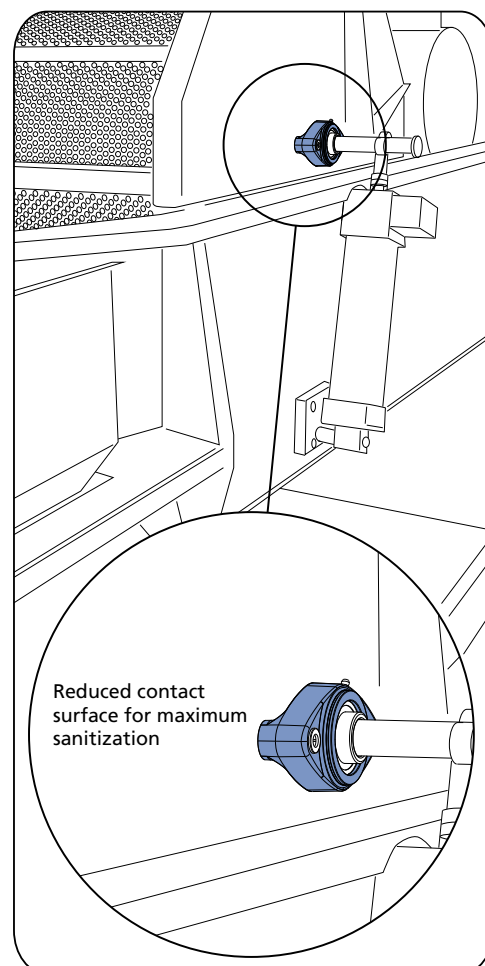
MATERIALS: Support made out of blue Ral 5005 colour PA + glass fiber; bearing with grub screws shaft locking in chrome steel or stainless steel; bearing with eccentric collar shaft locking in chrome steel; greaser made out of stainless steel; reinforcement bushings and washers made out of stainless steel AISI 304; gaskets made out of NBR rubber; cover made out of polypropylene grey Ral 7042, blue Ral 5015, orange Ral 2004, red Ral 3000 colour.

FEATURES: The difference from UCFL/C series is lack of protection cover which can be ordered separately as an accessory. Assembly with not shouldered shafts. The reduced contact surface of the base of the support allows maximum sanitization. Maximum shaft alignment error 2.5°.

BOX QUANTITY: 8 pieces.

ON REQUEST: Versions with body in polypropylene + glass fiber and antibacterial additive; protection cover in different colours and with customized brand; box quantity according to your request; Viton gaskets, "Long life" bearings.

Example of application



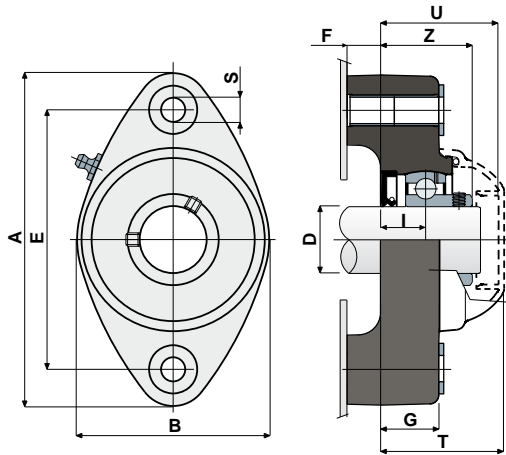


Oval flanged bearing supports

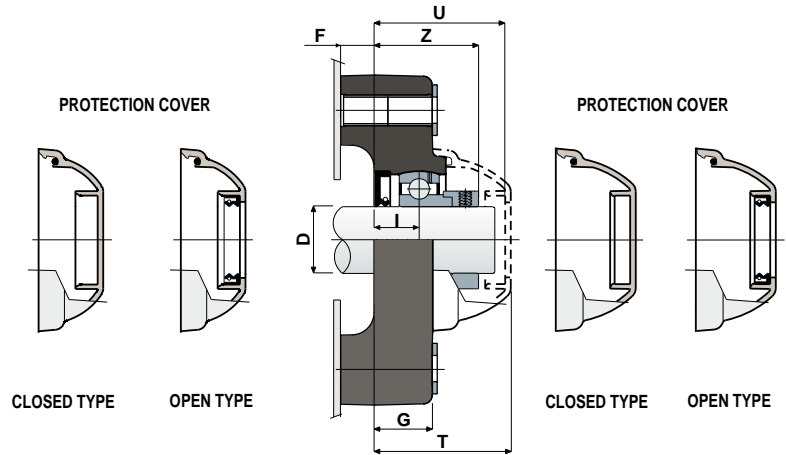
Technical data

Serie **UCFL/CX**

GRUB SCREWS SHAFT LOCKING



ECCENTRIC COLLAR SHAFT LOCKING



GRUB SCREWS SHAFT LOCKING

D	SERIE	CHROME STEEL BEARING											COVER CODES											
		Support CODES										DIMENSIONS (mm)	Bearing load (N)		Bearing support load		GREY RAL 7042		BLUE RAL 5015		ORANGE RAL 2004		RED RAL 3000	
		Blue Ral 5005	E	A	B	S	F	G	I	Z	U	T	C	CO	(N)	Closed	Open	Closed	Open	Closed	Open	Closed	Open	
25	UCFL 205 CX	88637	99	131	72	10,5	15	22	17,4	37	47	49,5	14000	7800	10000	80075	80076	85384	85385	82276	82277	87542	87543	
30	UCFL 206 CX	87427	117	149	86	10,5	15	26	20	42	53	56	19500	11300	13000	80011	80053	84100	80354	82278	82279	87531	87530	

ECCENTRIC COLLAR SHAFT LOCKING

D	SERIE	CHROME STEEL BEARING											COVER CODES					
		Support CODES										DIMENSIONS (mm)	Bearing load (N)		Bearing support load		GREY RAL 7042	
		Blue Ral 5005	E	A	B	S	F	G	I	Z	U	T	C	CO	(N)	Closed	Open	
25	UCFL 205 CX	88649	99	131	72	10,5	15	22	17,4	41	52,6	55	14000	7800	10000	88373	88374	
30	UCFL 206 CX	88551	117	149	86	10,5	15	26	20	46,7	59,2	61,8	19500	11300	13000	88375	88376	

GRUB SCREWS SHAFT LOCKING

D	SERIE	STAINLESS STEEL BEARING AISI 440											COVER CODES											
		Support CODES										DIMENSIONS (mm)	Bearing load (N)		Bearing support load		GREY RAL 7042		BLUE RAL 5015		ORANGE RAL 2004		RED RAL 3000	
		Blue Ral 5005	E	A	B	S	F	G	I	Z	U	T	C	CO	(N)	Closed	Open	Closed	Open	Closed	Open	Closed	Open	
25	UCFL 205 CX	88638	99	131	72	10,5	15	22	17,4	37	47	49,5	9150	7800	10000	80075	80076	85384	85385	82276	82277	87542	87543	
30	UCFL 206 CX	87751	117	149	86	10,5	15	26	20	42	53	56	12500	11200	13000	80011	80053	84100	80354	82278	82279	87531	87530	



Self-aligning bearings with Solid body: completely closed surface to guarantee the max hygiene.



Side flanged bearing supports

Serie **UCFB/C**



On request covers in polypropylene blue Ral 5015 colour.

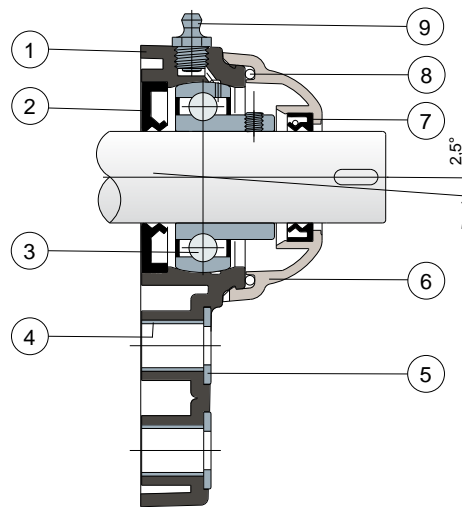


On request covers in polypropylene orange Ral 2004 colour.



On request covers in polypropylene red Ral 3000 colour.

Full protection of bearing



- 1) Housing made out of black or white colour polyamide reinforced with glass fibers.
- 2) Back gasket made out of NBR rubber for turning shaft seal.
- 3) Chrome steel or stainless steel bearing AISI 440.
- 4) Spacer for fixing reinforcement made out of stainless steel AISI 304.
- 5) UNI 6592 support washer made out of stainless steel AISI 304.
- 6) Protection cover made out of polypropylene (grey colour Ral 7042).
- 7) Front gasket made out of NBR rubber for turning shaft seal.
- 8) OR gasket made out of NBR rubber
- 9) Greaser, straight type with 1/8 gas thread, made out of nickel-plated brass.

Maximum shaft alignment error 2,5°

For further information please contact our technical office or sales department.

MATERIALS: Housing is made out of PA + glass fiber in black or white colours; chrome steel or stainless steel bearing, greaser made out of nickel plated brass; reinforcement bushings and washers made out of stainless steel AISI 304; gaskets made out of NBR rubber; cover made out of grey RAL 7042 colour polypropylene.

FEATURES: Full protection of bearing against external agents. Assembly with not shouldered shafts. Maximum shaft alignment error 2.5°.

BOX QUANTITY: 8 pieces.

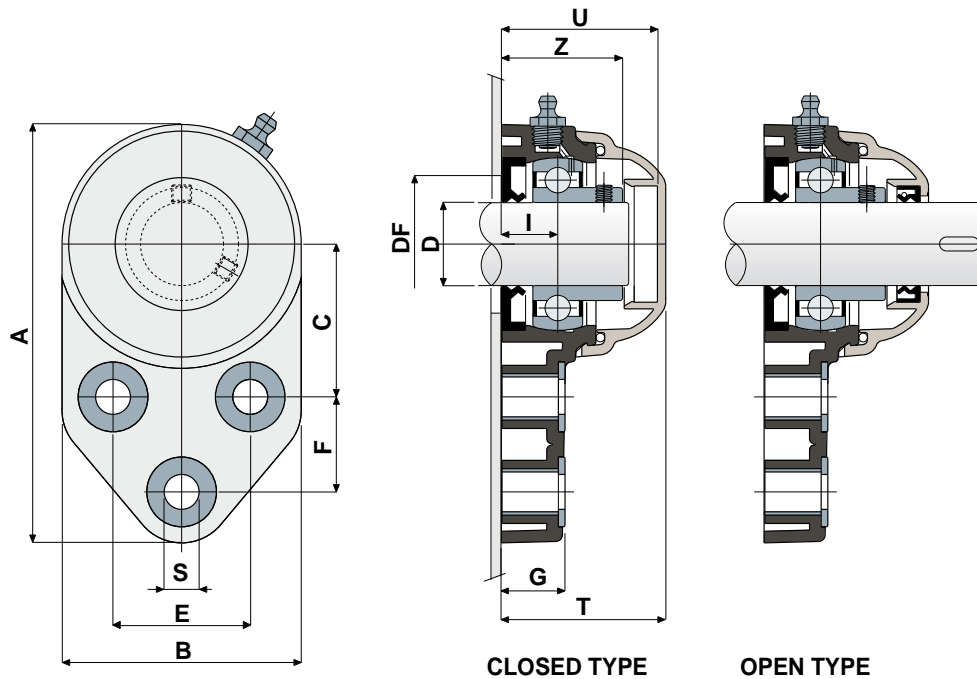
ON REQUEST: Versions with body in polypropylene + glass fiber and antibacterial additive; supports with eccentric collar shaft locking with chrome steel bearing; protection cover in different colours and with customized brand; box quantity according to your request; Viton gaskets, "Long life" bearings.



Side flanged bearing supports

Technical data

Serie **UCFB/C**



CHROME STEEL BEARING																					
D	SERIE	CODES				DIMENSIONS (mm)												Bearing load (N)		Bearing support load	
		Black		White		E	A	B	C	F	S	G	I	Z	U	T	DF		C	C0	(N)
		Closed	Open	Closed	Open												Max	Min			
20	UCFB 204 C	82862	82861	84718	84719	41,3	126	72	46	28,6	10,5	19	18	36	47	49,5	45	40	12800	6600	8500
25	UCFB 205 C	82771	82770	84720	84721	41,3	126	72	46	28,6	10,5	19	17	36,5	47	49,5	50	45	14000	7800	9000
30	UCFB 206 C	84048	84049	84722	84723	47,6	142	85	52,4	32	10,5	26,3	20,7	41,7	53,2	55,7	60	50	19500	11300	11000
35	UCFB 207 C	84050	84051	84724	84725	51	155	94	60,5	32	10,5	26,3	20	45,3	56,5	59	70	55	25500	15300	13000
40	UCFB 208 C	83031	83033	84726	84727	50	165	100	60,5	41	10,5	26,3	19,5	48,5	65,5	68	78	65	32500	19800	18000

STAINLESS STEEL BEARING AISI 440																					
D	SERIE	CODES				DIMENSIONS (mm)												Bearing load (N)		Bearing support load	
		Black		White		E	A	B	C	F	S	G	I	Z	U	T	DF		C	C0	(N)
		Closed	Open	Closed	Open												Max	Min			
20	UCFB 204 C	82866	82865	84728	84729	41,3	126	72	46	28,6	10,5	19	18	36	47	49,5	45	40	8300	6600	8500
25	UCFB 205 C	82775	82774	84730	84731	41,3	126	72	46	28,6	10,5	19	17	36,5	47	49,5	50	45	9150	7800	9000
30	UCFB 206 C	84052	84053	84732	84733	47,6	142	85	52,4	32	10,5	26,3	20,7	41,7	53,2	55,7	60	50	12500	11200	11000
35	UCFB 207 C	84054	84055	84734	84735	51	155	94	60,5	32	10,5	26,3	20	45,3	56,5	59	70	55	16600	15300	13000
40	UCFB 208 C	83040	83027	84736	84737	50	165	100	60,5	41	10,5	26,3	19,5	48,5	65,5	68	78	65	20000	19000	18000

VERSIONS WITH MEASURES IN INCHES

CHROME STEEL BEARING																					
D	SERIE	CODES				DIMENSIONS (mm)												Bearing load (N)		Bearing support load	
		Black		White		E	A	B	C	F	S	G	I	Z	U	T	DF		C	C0	(N)
		Closed	Open	Closed	Open												Max	Min			
1"	UCFB 205 C	84523	84524	84907	84908	41,3	126	72	46	28,6	10,5	19	17	36,5	47	49,5	50	45	14000	7800	9000
1 1/4"	UCFB 206 C	84525	84526	84909	84910	47,6	142	85	52,4	32	10,5	26,3	20,7	41,7	53,2	55,7	60	50	19500	11300	11000

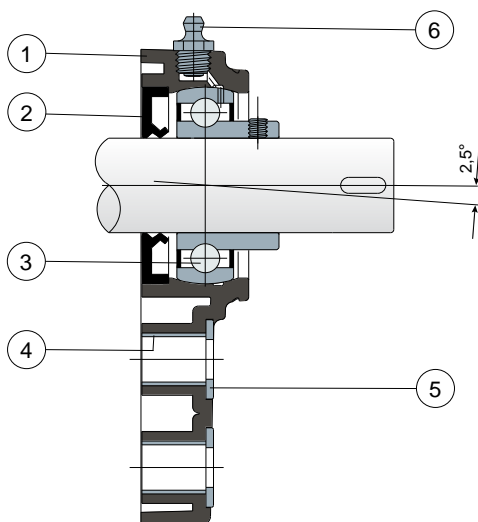


Side flanged bearing supports

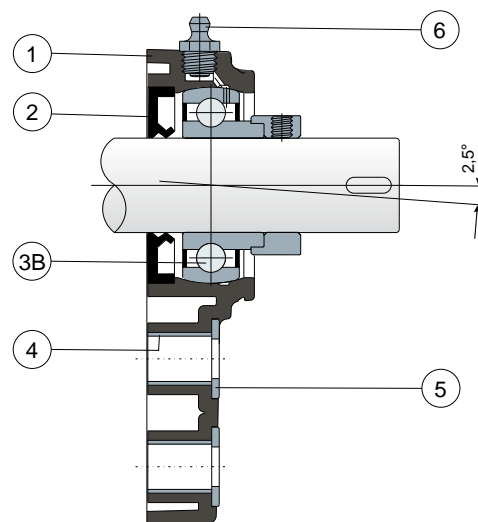
Serie **UCFB/CX**



Grub screws shaft locking - Without protection cover



Eccentric collar shaft locking - Without protection cover



- 1) Housing made out of black or white colour polyamide reinforced with glass fibers.
- 2) Back gasket made out of NBR rubber for turning shaft seal.
- 3) Chrome steel or stainless steel bearing AISI 440.
- 3B) Chrome steel bearing.
- 4) Spacer for fixing reinforcement made out of stainless steel AISI 304.
- 5) UNI 6592 support washer made out of stainless steel AISI 304.
- 6) Greaser, straight type with 1/8 gas thread, made out of nickel-plated brass.

NOTE: The only difference from UCFB/C series is lack of protection cover, which can be ordered separately as an accessory.

Maximum shaft alignment error 2,5°

For further information please contact our technical office or sales department.

MATERIALS: Housing is made out of PA + glass fiber in black or white colours; bearing with grub screws shaft locking in chrome steel or stainless steel; bearing with eccentric collar shaft locking in chrome steel; greaser made out of nickel plated brass; reinforcement bushings and washers made out of stainless steel AISI 304; gaskets made out of NBR rubber; cover made out of polypropylene grey Ral 7042, blue Ral 5015, orange Ral 2004 or red Ral 3000 colour.

FEATURES: The difference from UCFB/C series is lack of protection cover which can be ordered separately as an accessory. Assembly with not shouldered shafts. Maximum shaft alignment error 2.5°.

BOX QUANTITY: 8 pieces.

ON REQUEST: Versions with body in polypropylene + glass fiber and antibacterial additive; protection cover in different colours and with customized brand; box quantity according to your request; Viton gaskets, "Long life" bearings.



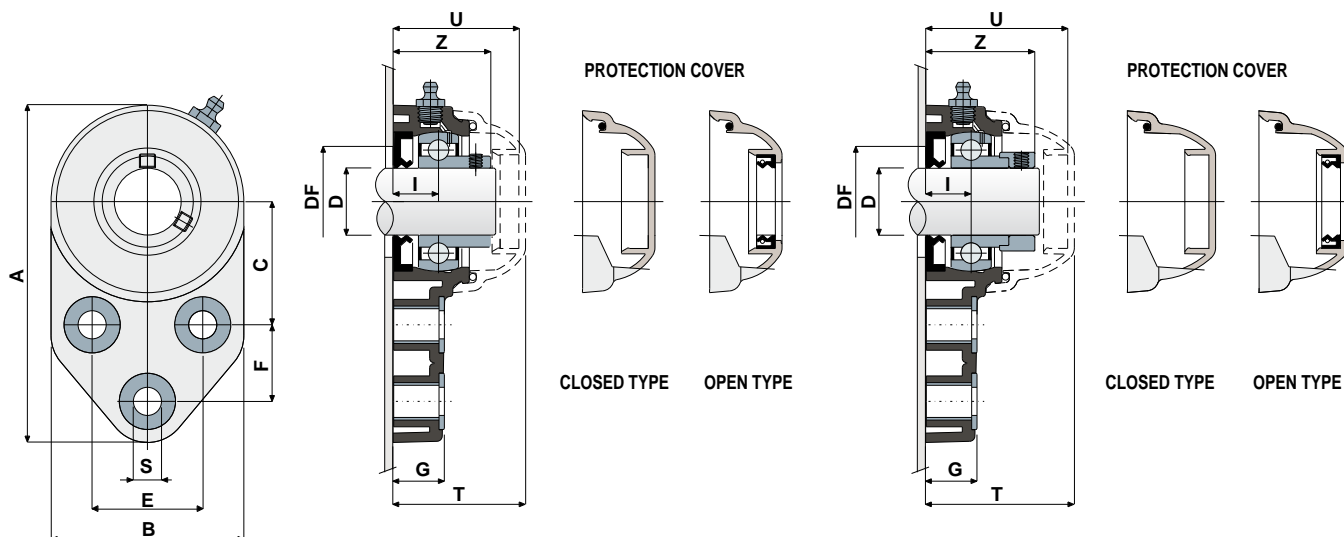
Side flanged bearing supports

Technical data

Serie **UCFB/CX**

GRUB SCREWS SHAFT LOCKING

ECCENTRIC COLLAR SHAFT LOCKING



GRUB SCREWS SHAFT LOCKING

D	SERIE	Support CODES		CHROME STEEL BEARING											Bearing load (N)		Bearing support load		COVER CODES								
		Black	White	DIMENSIONS (mm)											C	CO	(N)	GREY RAL 7042		BLUE RAL 5015		ORANGE RAL 2004		RED RAL 3000			
				E	A	B	C	F	S	G	I	Z	U	T				Max	Min	Closed	Open	Closed	Open	Closed	Open	Closed	Open
20	UCFB 204 CX	83023	84738	41,3	126	72	46	28,6	10,5	19	18	36	47	49,5	45	40	12800	6600	8500	80254	80255	87259	83901	82305	82306	87540	87541
25	UCFB 205 CX	82772	84739	41,3	126	72	46	28,6	10,5	19	17	36,5	47	49,5	50	45	14000	7800	9000	80075	80076	85384	85385	82276	82277	87542	87543
30	UCFB 206 CX	84056	84740	47,6	142	85	52,4	32	10,5	26,3	20,7	41,7	53,2	55,7	60	50	19500	11300	11000	80011	80053	84100	80354	82278	82279	87531	87530
35	UCFB 207 CX	84057	84741	51	155	94	60,5	32	10,5	26,3	20	45,3	56,5	59	70	55	25500	15300	13000	80077	80078	80969	80275	82284	82285	87544	87545
40	UCFB 208 CX	82478	84742	50	165	100	60,5	41	10,5	26,3	19,5	48,5	65,5	68	78	65	32500	19800	18000	80256	80257	83088	86722	82280	82281	87528	82804

ECCENTRIC COLLAR SHAFT LOCKING

D	SERIE	Support CODES		CHROME STEEL BEARING											Bearing load (N)		Bearing support load		COVER CODES		
		Black	White	DIMENSIONS (mm)											C	CO	(N)	GREY RAL 7042			
				E	A	B	C	F	S	G	I	Z	U	T				Max	Min	Closed	Open
20	UCFB 204 CX	88559	88559	41,3	126	72	46	28,6	10,5	19	18	41,5	54	56,5	45	40	12800	6600	8500	88371	88372
25	UCFB 205 CX	88556	88560	41,3	126	72	46	28,6	10,5	19	17	40,5	52,9	55,4	50	45	14000	7800	9000	88373	88374
30	UCFB 206 CX	88557	88561	47,6	142	85	52,4	32	10,5	26,3	20,7	47,4	59,4	61,9	60	50	19500	11300	11000	88375	88376
35	UCFB 207 CX	88558	88562	51	155	94	60,5	32	10,5	26,3	20	49,3	61,3	63,8	70	55	25500	15300	13000	88377	88378
40	UCFB 208 CX	88332	88563	50	165	100	60,5	41	10,5	26,3	19,5	52,2	65,5	68	78	65	32500	19800	18000	80256	80257

NEW

GRUB SCREWS SHAFT LOCKING

D	SERIE	Support CODES		STAINLESS STEEL BEARING AISI 440											Bearing load (N)		Bearing support load		COVER CODES								
		Black	White	DIMENSIONS (mm)											C	CO	(N)	GREY RAL 7042		BLUE RAL 5015		ORANGE RAL 2004		RED RAL 3000			
				E	A	B	C	F	S	G	I	Z	U	T				Max	Min	Closed	Open	Closed	Open	Closed	Open	Closed	Open
20	UCFB 204 CX	83039	84743	41,3	126	72	46	28,6	10,5	19	18	36	47	49,5	45	40	8300	6600	8500	80254	80255	87259	83901	82305	82306	87540	87541
25	UCFB 205 CX	82776	84744	41,3	126	72	46	28,6	10,5	19	17	36,5	47	49,5	50	45	9150	7800	9000	80075	80076	85384	85385	82276	82277	87542	87543
30	UCFB 206 CX	84058	84745	47,6	142	85	52,4	32	10,5	26,3	20,7	41,7	53,2	55,7	60	50	12500	11200	11000	80011	80053	84100	80354	82278	82279	87531	87530
35	UCFB 207 CX	84059	84746	51	155	94	60,5	32	10,5	26,3	20	45,3	56,5	59	70	55	16600	15300	13000	80077	80078	80969	80275	82284	82285	87544	87545
40	UCFB 208 CX	83041	84747	50	165	100	60,5	41	10,5	26,3	19,5	48,5	65,5	68	78	65	20000	19000	18000	80256	80257	83088	86722	82280	82281	87528	82804

GRUB SCREWS SHAFT LOCKING - VERSIONS WITH MEASURES IN INCHES

D	SERIE	Support CODES		CHROME STEEL BEARING											Bearing load (N)		Bearing support load		COVER CODES								
		Black	White	DIMENSIONS (mm)											C	CO	(N)	GREY RAL 7042		BLUE RAL 5015		ORANGE RAL 2004		RED RAL 3000			
				E	A	B	C	F	S	G	I	Z	U	T				Max	Min	Closed	Open	Closed	Open	Closed	Open	Closed	Open
1"	UCFB 205 CX	84527	84915	41,3	126	72	46	28,6	10,5	19	17	36,5	47	49,5	50	45	14000	7800	9000	80075	85202	85384	87273	82276	87660	87542	87663
1 1/4"	UCFB 206 CX	84528	84916	47,6	142	85	52,4	32	10,5	26,3	20,7	41,7	53,2	55,7	60	50	19500	11300	11000	80011	85203	84100	87274	82278	87661	87531	87664

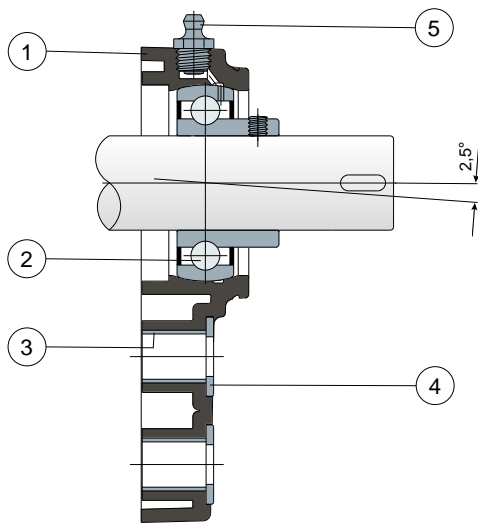


Side flanged bearing supports

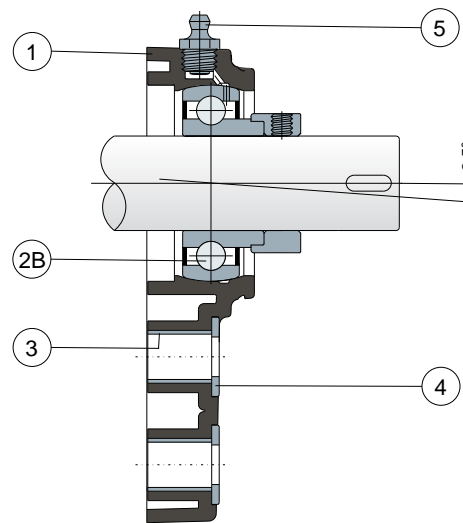
Serie **UCFB**



Grub screws shaft locking - Without cover and back gasket



Eccentric collar shaft locking - Without cover and back gasket



- 1) Housing made out of black or white colour polyamide reinforced with glass fibers.
- 2) Chrome steel or stainless steel bearing AISI 440.
- 2B) Chrome steel bearing.
- 3) Spacer for fixing reinforcement made out of stainless steel AISI 304.
- 4) UNI 6592 support washer made out of stainless steel AISI 304.
- 5) Greaser, straight type with 1/8 gas thread, made out of nickel-plated brass.

NOTE: The only difference from UCFB/C series is lack of back gasket and protection cover, which can be ordered separately as accessories.

Support dimensions respect ISO 3228 set of rules.

Maximum shaft alignment error 2,5°

For further information please contact our technical office or sales department.

MATERIALS: Housing is made out of PA + glass fiber in black or white colours; bearing with grub screws shaft locking in chrome steel or stainless steel; bearing with eccentric collar shaft locking in chrome steel; greaser made out of nickel plated brass; reinforcement bushings and washers made out of stainless steel AISI 304; gaskets made out of NBR rubber; cover made out of polypropylene grey Ral 7042, blue Ral 5015, orange Ral 2004 or red Ral 3000 colour.

FEATURES: The difference from UCFB/C series is lack of back gasket and protection cover, which can be ordered separately as accessories. Assembly with shouldered and not shouldered shafts. Maximum shaft alignment error 2.5°.

BOX QUANTITY: 8 pieces.

ON REQUEST: Versions with body in polypropylene + glass fiber and antibacterial additive; protection cover in different colours and with customized brand; box quantity according to your request; Viton gaskets, "Long life" bearings.



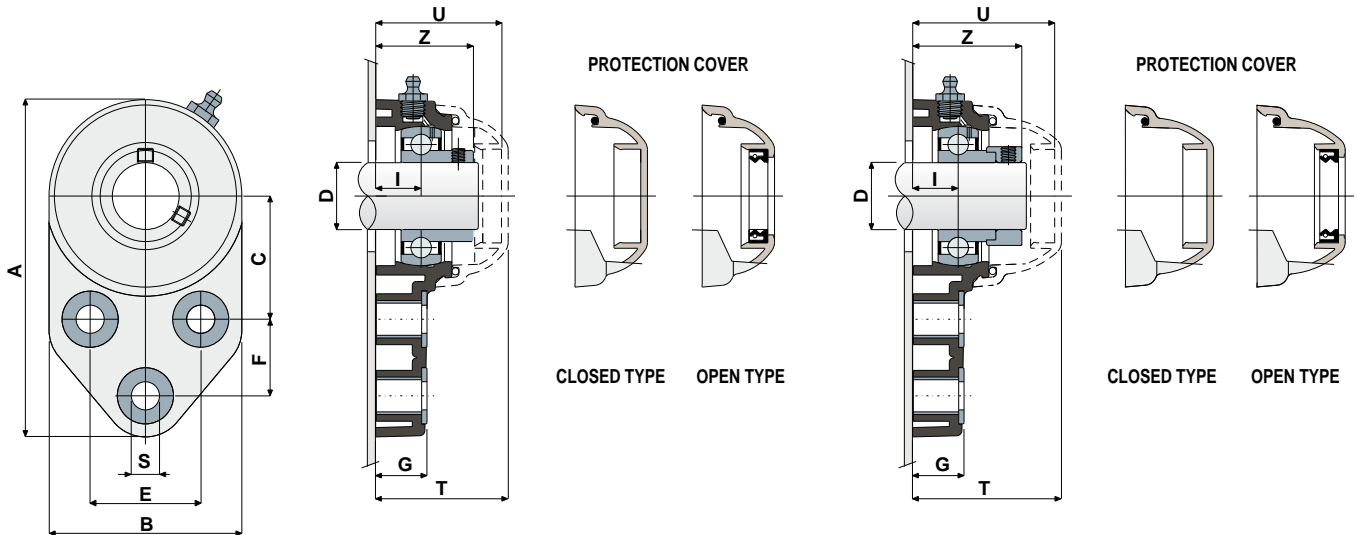
Side flanged bearing supports

Technical data

Serie **UCFB**

GRUB SCREWS SHAFT LOCKING

ECCENTRIC COLLAR SHAFT LOCKING



GRUB SCREWS SHAFT LOCKING

D	SERIE	CHROME STEEL BEARING														COVER CODES									
		Support CODES		DIMENSIONS (mm)										Bearing load (N)		Bearing support load		GREY RAL 7042		BLUE RAL 5015		ORANGE RAL 2004		RED RAL 3000	
		Black	White	E	A	B	C	F	S	G	I	Z	U	T	C	CO	(N)	Closed	Open	Closed	Open	Closed	Open	Closed	Open
20	UCFB 204	83025	84748	41,3	126	72	46	28,6	10,5	19	18	36	47	49,5	12800	6600	8500	80254	80255	87259	83901	82305	82306	87540	87541
25	UCFB 205	82773	84749	41,3	126	72	46	28,6	10,5	19	17	36,5	47	49,5	14000	7800	9000	80075	80076	85384	85385	82276	82277	87542	87543
30	UCFB 206	84060	84750	47,6	142	85	52,4	32	10,5	26,3	20,7	41,7	53,2	55,7	19500	11300	11000	80011	80053	84100	80354	82278	82279	87531	87530
35	UCFB 207	84061	84751	51	155	94	60,5	32	10,5	26,3	20	45,3	56,5	59	25500	15300	13000	80077	80078	80969	80275	82284	82285	87544	87545
40	UCFB 208	83029	84752	50	165	100	60,5	41	10,5	26,3	19,5	48,5	65,5	68	32500	19800	18000	80256	80257	83088	86722	82280	82281	87528	82804

ECCENTRIC COLLAR SHAFT LOCKING

D	SERIE	CHROME STEEL BEARING														COVER CODES			
		Support CODES		DIMENSIONS (mm)										Bearing load (N)		Bearing support load		GREY RAL 7042	
		Black	White	E	A	B	C	F	S	G	I	Z	U	T	C	CO	(N)	Closed	Open
20	UCFB 204	88564	88569	41,3	126	72	46	28,6	10,5	19	18	41,5	54	56,5	12800	6600	8500	88371	88372
25	UCFB 205	88565	88570	41,3	126	72	46	28,6	10,5	19	17	40,5	52,9	55,4	14000	7800	9000	88373	88374
30	UCFB 206	88566	88571	47,6	142	85	52,4	32	10,5	26,3	20,7	47,4	59,4	61,9	19500	11300	11000	88375	88376
35	UCFB 207	88567	88572	51	155	94	60,5	32	10,5	26,3	20	49,3	61,3	63,8	25500	15300	13000	88377	88378
40	UCFB 208	88568	88573	50	165	100	60,5	41	10,5	26,3	19,5	52,2	65,5	68	32500	19800	18000	80256	80257

NEW

GRUB SCREWS SHAFT LOCKING

D	SERIE	STAINLESS STEEL BEARING AISI 440														COVER CODES									
		Support CODES		DIMENSIONS (mm)										Bearing load (N)		Bearing support load		GREY RAL 7042		BLUE RAL 5015		ORANGE RAL 2004		RED RAL 3000	
		Black	White	E	A	B	C	F	S	G	I	Z	U	T	C	CO	(N)	Closed	Open	Closed	Open	Closed	Open	Closed	Open
20	UCFB 204	83042	84753	41,3	126	72	46	28,6	10,5	19	18	36	47	49,5	8300	6600	8500	80254	80255	87259	83901	82305	82306	87540	87541
25	UCFB 205	82777	84754	41,3	126	72	46	28,6	10,5	19	17	36,5	47	49,5	9150	7800	9000	80075	80076	85384	85385	82276	82277	87542	87543
30	UCFB 206	84062	84755	47,6	142	85	52,4	32	10,5	26,3	20,7	41,7	53,2	55,7	12500	11200	11000	80011	80053	84100	80354	82278	82279	87531	87530
35	UCFB 207	84063	84756	51	155	94	60,5	32	10,5	26,3	20	45,3	56,5	59	16600	15300	13000	80077	80078	80969	80275	82284	82285	87544	87545
40	UCFB 208	83044	84757	50	165	100	60,5	41	10,5	26,3	19,5	48,5	65,5	68	20000	19000	18000	80256	80257	83088	86722	82280	82281	87528	82804

GRUB SCREWS SHAFT LOCKING - VERSIONS WITH MEASURES IN INCHES

D	SERIE	CHROME STEEL BEARING														COVER CODES										
		Support CODES		DIMENSIONS (mm)										Bearing load (N)		Bearing support load		GREY RAL 7042		BLUE RAL 5015		ORANGE RAL 2004		RED RAL 3000		
		Black	White	E	A	B	C	F	S	G	I	Z	U	T	C	CO	(N)	Closed	Open	Closed	Open	Closed	Open	Closed	Open	
1"	25,4	UCFB 205	84529	84919	41,3	126	72	46	28,6	10,5	19	17	36,5	47	49,5	14000	7800	9000	80075	85202	85384	87273	82276	87660	87542	87663
1 1/4"	31,75	UCFB 206	84530	84920	47,6	142	85	52,4	32	10,5	26,3	20,7	41,7	53,2	55,7	19500	11300	11000	80011	85203	84100	87274	82278	87661	87531	87664



Pillow Blocks

Serie UCP/C



On request covers in polypropylene blue Ral 5015 colour.

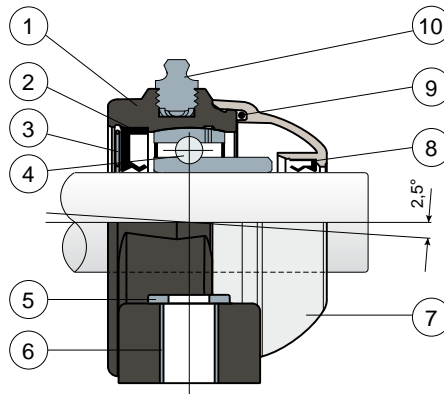


On request covers in polypropylene orange Ral 2004 colour.



On request covers in polypropylene red Ral 3000 colour.

Full protection of bearing



- 1) Housing made out of black or white colour polyamide reinforced with glass fibers.
- 2) Back gasket made out of NBR rubber for turning shaft seal.
- 3) Safety ring in stainless steel AISI 304.
- 4) Chrome steel or stainless steel bearing AISI 440.
- 5) UNI 6592 support washer made out of stainless steel AISI 304.
- 6) Spacer for fixing reinforcement made out of stainless steel AISI 304.
- 7) Protection cover made out of polypropylene (grey colour Ral 7042).
- 8) Front gasket made out of NBR rubber for turning shaft seal.
- 9) OR gasket made out of NBR rubber.
- 10) Greaser, straight type with 1/8 gas thread, made out of nickel-plated brass.

Support dimensions respect ISO 3228 set of rules.

Maximum shaft alignment error 2,5°.

For further information please contact our technical office or sales department.

MATERIALS: Housing is made out of PA + glass fiber in black or white colours; chrome steel or stainless steel bearing; greaser made out of nickel plated brass; reinforcement bushings, washers and safety ring made out of stainless steel AISI 304; gaskets made out of NBR rubber; cover made out of grey RAL 7042 colour polypropylene.

FEATURES: Full protection of bearing against external agents. Assembly with not shouldered shafts. Maximum shaft alignment error 2,5°.

BOX QUANTITY: 8 pieces.

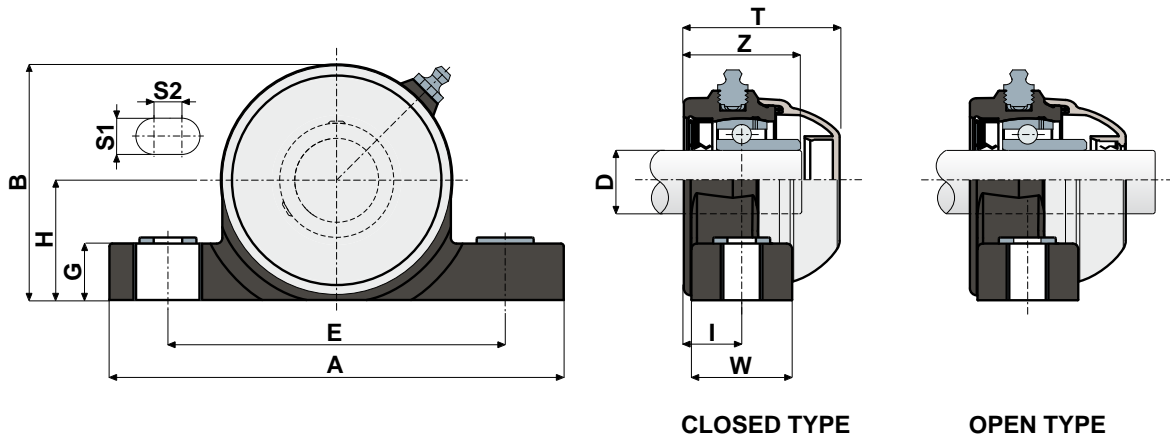
ON REQUEST: Versions with body in polypropylene + glass fiber and antibacterial additive; supports with eccentric collar shaft locking with chrome steel bearing; protection cover in different colours and with customized brand; box quantity according to your request; Viton gaskets, "Long life" bearings.



Pillow Blocks

Technical data

Serie **UCP/C**



CHROME STEEL BEARING																			
D	SERIE	CODES				DIMENSIONS (mm)											Bearing load (N)		Bearing support load (N)
		Black		White		E	A	S1	S2	G	H	B	I	W	Z	T	C	C0	
		Closed	Open	Closed	Open														
20	UCP 204 C	84076	84077	84758	84759	96	130	13	10	20	33,5	65,5	18	30	36	49	12800	6600	5750
25	UCP 205 C	83682	83683	84760	84761	106	140	13	10	20	36,5	71,5	19,6	35	39	51,7	14000	7800	6900
30	UCP 206 C	83684	83685	84762	84763	121	163	13	10	20	43	84,5	20,7	36	41,7	55,7	19500	11300	9200
35	UCP 207 C	83686	83687	84764	84765	126	168	13	10	20	47,6	93,3	22,7	39	48	61,8	25500	15300	11500
40	UCP 208 C	85441	85443	85445	85446	136	185	13	10	20	50	100	22,5	38,6	51,5	70,7	32500	19800	11500

STAINLESS STEEL BEARING AISI 440																			
D	SERIE	CODES				DIMENSIONS (mm)											Bearing load (N)		Bearing support load (N)
		Black		White		E	A	S1	S2	G	H	B	I	W	Z	T	C	C0	
		Closed	Open	Closed	Open														
20	UCP 204 C	84078	84079	84766	84767	96	130	13	10	20	33,5	65,5	18	30	36	49	8300	6600	5750
25	UCP 205 C	83696	83697	84768	84769	106	140	13	10	20	36,5	71,5	19,6	35	39	51,7	9150	7800	6900
30	UCP 206 C	83698	83699	84770	84771	121	163	13	10	20	43	84,5	20,7	36	41,7	55,7	12500	11200	9200
35	UCP 207 C	83700	83701	84772	84773	126	168	13	10	20	47,6	93,3	22,7	39	48	61,8	16600	15300	11500
40	UCP 208 C	85447	85448	85449	85450	136	185	13	10	20	50	100	22,5	38,6	51,5	70,7	20000	19000	11500

VERSIONS WITH MEASURES IN INCHES

CHROME STEEL BEARING																				
D	SERIE	CODES				DIMENSIONS (mm)											Bearing load (N)		Bearing support load (N)	
		Black		White		E	A	S1	S2	G	H	B	I	W	Z	T	C	C0		
		(inches)	(mm)	Closed	Open															Closed
1"	25,4	UCP 205 C	84531	84532	84923	84924	106	140	13	10	20	36,5	71,5	19,6	35	39	51,7	14000	7800	6900
1 1/4"	31,75	UCP 206 C	84533	84534	84925	84926	121	163	13	10	20	43	84,5	20,7	36	41,7	55,7	19500	11300	9200

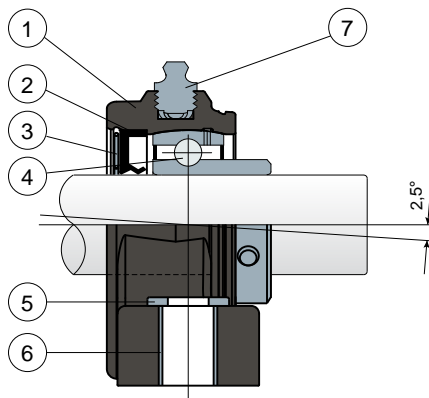


Pillow Blocks

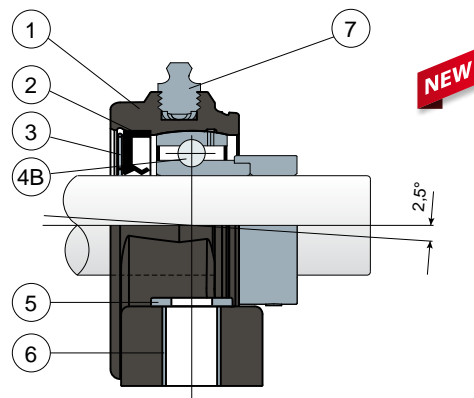
Serie **UCP/CX**



Grub screws shaft locking - Without protection cover



Eccentric collar shaft locking - Without protection cover



- 1) Housing made out of black, white or blue Ral 5005 colour polyamide reinforced with glass fibers.
- 2) Back gasket made out of NBR rubber for turning shaft seal.
- 3) Safety ring in stainless steel AISI 304.
- 4) Chrome steel or stainless steel bearing AISI 440.
- 4B) Chrome steel bearing.
- 5) UNI 6592 support washer made out of stainless steel AISI 304.
- 6) Spacer for fixing reinforcement made out of stainless steel AISI 304.
- 7) Greaser, straight type with 1/8 gas thread, made out of nickel-plated brass.

NOTE: The only difference from UCP/C series is lack of protection cover, which can be ordered separately as an accessory.

Support dimensions respect ISO 3228 set of rules.

Maximum shaft alignment error 2,5°.

For further information please contact our technical office or sales department.

MATERIALS: Housing is made out of PA + glass fiber in black, white or blue Ral 5005 colours; bearing with grub screws shaft locking in chrome steel or stainless steel; bearing with eccentric collar shaft locking in chrome steel; greaser made out of nickel plated brass; reinforcement bushings, washers and safety ring made out of stainless steel AISI 304; gaskets made out of NBR rubber; cover made out of polypropylene grey Ral 7042, blue Ral 5015, orange Ral 2004 or red Ral 3000 colour.

FEATURES: The difference from UCP/C series is lack of protection cover which can be ordered separately as an accessory. Assembly with not shouldered shafts. Maximum shaft alignment error 2,5°.

BOX QUANTITY: 8 pieces.

ON REQUEST: Versions with body in polypropylene + glass fiber and antibacterial additive; protection cover in different colours and with customized brand; box quantity according to your request; Viton gaskets, "Long life" bearings.



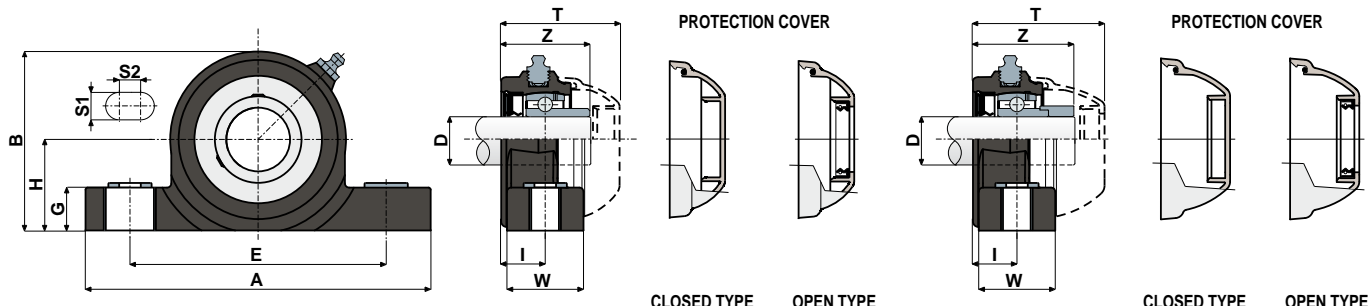
Pillow Blocks

Technical data

Serie **UCP/CX**

GRUB SCREWS SHAFT LOCKING

ECCENTRIC COLLAR SHAFT LOCKING



GRUB SCREWS SHAFT LOCKING

D	SERIE	CHROME STEEL BEARING														COVER CODES												
		Support CODES			DIMENSIONS (mm)											Bearing load (N)			Bearing support load		GREY RAL 7042		BLUE RAL 5015		ORANGE RAL 2004		RED RAL 3000	
		Black	White	Blue Ral 5005	E	A	S1	S2	G	H	B	I	W	Z	T	C	CO	(N)	Closed	Open	Closed	Open	Closed	Open	Closed	Open		
20	UCP 204 CX	84080	84774	87753	96	130	13	10	20	33,5	65,5	18	30	36	49	12800	6600	5750	80254	80255	87259	83901	82305	82306	87540	87541		
25	UCP 205 CX	83688	84775	87754	106	140	13	10	20	36,5	71,5	19,6	35	39	51,7	14000	7800	6900	80075	80076	85384	85385	82276	82277	87542	87543		
30	UCP 206 CX	83689	84776	87755	121	163	13	10	20	43	84,5	20,7	36	41,7	55,7	19500	11300	9200	80011	80053	84100	80354	82278	82279	87531	87530		
35	UCP 207 CX	83690	84777	87756	126	168	13	10	20	47,6	93,3	22,7	39	48	61,8	25500	15300	11500	80077	80078	80969	80275	82284	82285	87544	87545		
40	UCP 208 CX	85451	85452	87757	136	185	13	10	20	50	100	22,5	38,6	51,5	70,7	32500	19800	11500	80256	80257	83088	86722	82280	82281	87528	82804		

ECCENTRIC COLLAR SHAFT LOCKING

D	SERIE	CHROME STEEL BEARING														COVER CODES						
		Support CODES			DIMENSIONS (mm)											Bearing load (N)			Bearing support load		GREY RAL 7042	
		Black	White	Blue Ral 5005	E	A	S1	S2	G	H	B	I	W	Z	T	C	CO	(N)	Closed	Open		
20	UCP 204 CX	88574	88579	88584	96	130	13	10	20	33,5	65,5	18	30	41,6	56	12800	6600	5750	88371	88372		
25	UCP 205 CX	88575	88580	88585	106	140	13	10	20	36,5	71,5	19,6	35	43	57,6	14000	7800	6900	88373	88374		
30	UCP 206 CX	88576	88581	88586	121	163	13	10	20	43	84,5	20,7	36	47,4	61,8	19500	11300	9200	88375	88376		
35	UCP 207 CX	88577	88582	88587	126	168	13	10	20	47,6	93,3	22,7	39	52	66,6	25500	15300	11500	88377	88378		
40	UCP 208 CX	88578	88583	88588	136	185	13	10	20	50	100	22,5	38,6	55,2	70,9	32500	19800	11500	80256	80257		

NEW

GRUB SCREWS SHAFT LOCKING

D	SERIE	STAINLESS STEEL BEARING AISI 440														COVER CODES												
		Support CODES			DIMENSIONS (mm)											Bearing load (N)			Bearing support load		GREY RAL 7042		BLUE RAL 5015		ORANGE RAL 2004		RED RAL 3000	
		Black	White	Blue Ral 5005	E	A	S1	S2	G	H	B	I	W	Z	T	C	CO	(N)	Closed	Open	Closed	Open	Closed	Open	Closed	Open		
20	UCP 204 CX	84081	84778	87762	96	130	13	10	20	33,5	65,5	18	30	36	49	8300	6600	5750	80254	80255	87259	83901	82305	82306	87540	87541		
25	UCP 205 CX	83702	84779	87763	106	140	13	10	20	36,5	71,5	19,6	35	39	51,7	9150	7800	6900	80075	80076	85384	85385	82276	82277	87542	87543		
30	UCP 206 CX	83703	84780	87764	121	163	13	10	20	43	84,5	20,7	36	41,7	55,7	12500	11200	9200	80011	80053	84100	80354	82278	82279	87531	87530		
35	UCP 207 CX	83704	84781	87765	126	168	13	10	20	47,6	93,3	22,7	39	48	61,8	16600	15300	11500	80077	80078	80969	80275	82284	82285	87544	87545		
40	UCP 208 CX	85453	85454	87766	136	185	13	10	20	50	100	22,5	38,6	51,5	70,7	20000	19000	11500	80256	80257	83088	86722	82280	82281	87528	82804		

GRUB SCREWS SHAFT LOCKING - VERSIONS WITH MEASURES IN INCHES

D	SERIE	CHROME STEEL BEARING														COVER CODES												
		Support CODES			DIMENSIONS (mm)											Bearing load (N)			Bearing support load		GREY RAL 7042		BLUE RAL 5015		ORANGE RAL 2004		RED RAL 3000	
		Black	White	Blue Ral 5005	E	A	S1	S2	G	H	B	I	W	Z	T	C	CO	(N)	Closed	Open	Closed	Open	Closed	Open	Closed	Open		
1"	25,4	UCP 205 CX	84535	84931	87767	106	140	13	10	20	36,5	71,5	19,6	35	39	51,7	14000	7800	6900	80075	85202	85384	87273	82276	87660	87542	87663	
1 1/4"	31,75	UCP 206 CX	84536	84932	87768	121	163	13	10	20	43	84,5	20,7	36	41,7	55,7	19500	11300	9200	80011	85203	84100	87274	82278	87661	87531	87664	

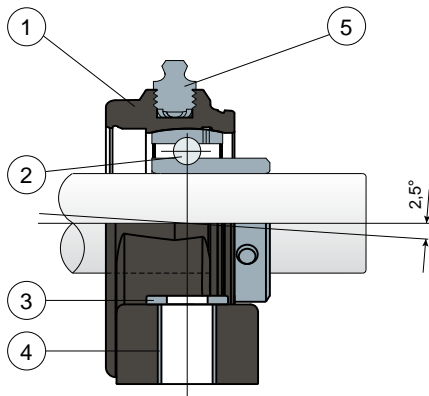


Pillow Blocks

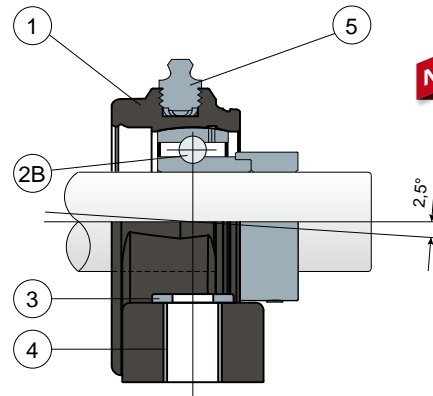
Serie **UCP**



Grub screws shaft locking
Without cover and back gasket



Eccentric collar shaft locking
Without cover and back gasket



- 1) Housing made out of black, white or blue Ral 5005 colour polyamide reinforced with glass fibers.
- 2) Chrome steel or stainless steel bearing AISI 440.
- 2B) Chrome steel bearing.
- 3) UNI 6592 support washer made out of stainless steel AISI 304.
- 4) Spacer for fixing reinforcement made out of stainless steel AISI 304.
- 5) Greaser, straight type with 1/8 gas thread, made out of nickel-plated brass.

NOTE: The only difference from UCP/C series is lack of back gasket and protection cover, which can be ordered separately as accessories.

Support dimensions respect ISO 3228 set of rules.
Maximum shaft alignment error 2,5°.
For further information please contact our technical office or sales department.

MATERIALS: Housing is made out of PA + glass fiber in black, white or blue Ral 5005 colours; bearing with grub screws shaft locking in chrome steel or stainless steel; bearing with eccentric collar shaft locking in chrome steel; greaser made out of nickel plated brass; reinforcement bushings and washers made out of stainless steel AISI 304; gaskets made out of NBR rubber; cover made out of polypropylene grey Ral 7042, blue Ral 5015, orange Ral 2004 or red Ral 3000 colour.
FEATURES: The difference from UCP/C series is lack of back gasket and protection cover, which can be ordered separately as accessories. Assembly with shouldered and not shouldered shafts. Maximum shaft alignment error 2,5°.

BOX QUANTITY: 8 pieces.

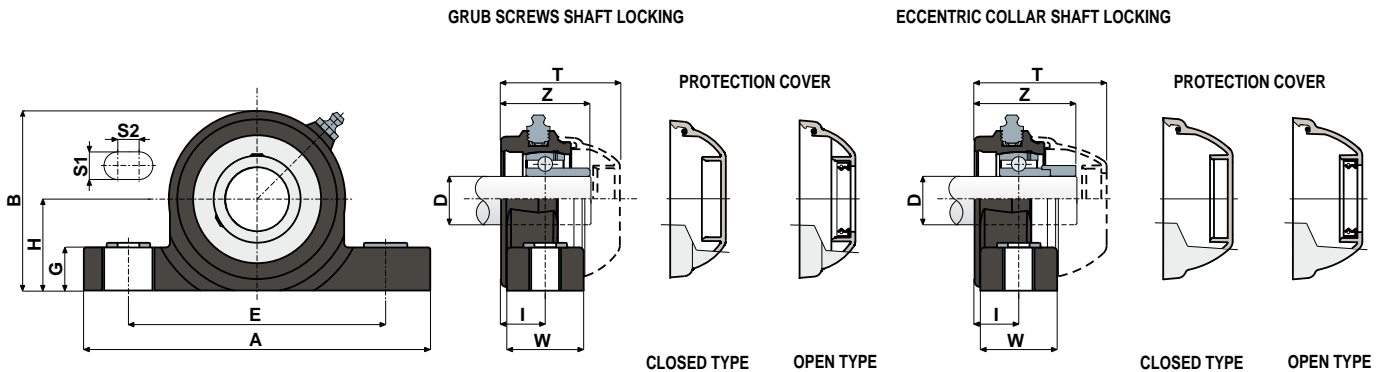
ON REQUEST: Versions with body in polypropylene + glass fiber and antibacterial additive; protection cover in different colours and with customized brand; box quantity according to your request; Viton gaskets, "Long life" bearings.



Pillow Blocks

Technical data

Serie **UCP**



GRUB SCREWS SHAFT LOCKING

D	SERIE	CHROME STEEL BEARING														COVER CODES											
		Support CODES			DIMENSIONS (mm)											Bearing load (N)		Bearing support load		GREY RAL 7042		BLUE RAL 5015		ORANGE RAL 2004		RED RAL 3000	
		Black	White	Blue Ral 5005	E	A	S1	S2	G	H	B	I	W	Z	T	C	CO	(N)	Closed	Open	Closed	Open	Closed	Open	Closed	Open	
20	UCP 204	84082	84782	87769	96	130	13	10	20	33,5	65,5	18	30	36	49	12800	6600	5750	80254	80255	87259	83901	82305	82306	87540	87541	
25	UCP 205	83691	84783	87770	106	140	13	10	20	36,5	71,5	19,6	35	39	51,7	14000	7800	6900	80075	80076	85384	85385	82276	82277	87542	87543	
30	UCP 206	83692	84784	87771	121	163	13	10	20	43	84,5	20,7	36	41,7	55,7	19500	11300	9200	80011	80053	84100	80354	82278	82279	87531	87530	
35	UCP 207	83693	84785	87772	126	168	13	10	20	47,6	93,3	22,7	39	48	61,8	25500	15300	11500	80077	80078	80969	80275	82284	82285	87544	87545	
40	UCP 208	85455	85456	87773	136	185	13	10	20	50	100	22,5	38,6	51,5	70,7	32500	19800	11500	80256	80257	83088	86722	82280	82281	87528	82804	

ECCENTRIC COLLAR SHAFT LOCKING

D	SERIE	CHROME STEEL BEARING														COVER CODES					
		Support CODES			DIMENSIONS (mm)											Bearing load (N)		Bearing support load		GREY RAL 7042	
		Black	White	Blue Ral 5005	E	A	S1	S2	G	H	B	I	W	Z	T	C	CO	(N)	Closed	Open	
20	UCP 204	88592	88597	88602	96	130	13	10	20	33,5	65,5	18	30	41,6	56	12800	6600	5750	88371	88372	
25	UCP 205	88593	88598	88603	106	140	13	10	20	36,5	71,5	19,6	35	43	57,6	14000	7800	6900	88373	88374	
30	UCP 206	88594	88599	88604	121	163	13	10	20	43	84,5	20,7	36	47,4	61,8	19500	11300	9200	88375	88376	
35	UCP 207	88595	88600	88605	126	168	13	10	20	47,6	93,3	22,7	39	52	66,6	25500	15300	11500	88377	88378	
40	UCP 208	88596	88601	88606	136	185	13	10	20	50	100	22,5	38,6	55,2	70,9	32500	19800	11500	80256	80257	

NEW

GRUB SCREWS SHAFT LOCKING

D	SERIE	STAINLESS STEEL BEARING AISI 440														COVER CODES											
		Support CODES			DIMENSIONS (mm)											Bearing load (N)		Bearing support load		GREY RAL 7042		BLUE RAL 5015		ORANGE RAL 2004		RED RAL 3000	
		Black	White	Blue Ral 5005	E	A	S1	S2	G	H	B	I	W	Z	T	C	CO	(N)	Closed	Open	Closed	Open	Closed	Open	Closed	Open	
20	UCP 204	84083	84786	87774	96	130	13	10	20	33,5	65,5	18	30	36	49	8300	6600	5750	80254	80255	87259	83901	82305	82306	87540	87541	
25	UCP 205	83705	84787	87775	106	140	13	10	20	36,5	71,5	19,6	35	39	51,7	9150	7800	6900	80075	80076	85384	85385	82276	82277	87542	87543	
30	UCP 206	83706	84788	87776	121	163	13	10	20	43	84,5	20,7	36	41,7	55,7	12500	11200	9200	80011	80053	84100	80354	82278	82279	87531	87530	
35	UCP 207	83707	84789	87777	126	168	13	10	20	47,6	93,3	22,7	39	48	61,8	16600	15300	11500	80077	80078	80969	80275	82284	82285	87544	87545	
40	UCP 208	85457	85458	87778	136	185	13	10	20	50	100	22,5	38,6	51,5	70,7	20000	19000	11500	80256	80257	83088	86722	82280	82281	87528	82804	

GRUB SCREWS SHAFT LOCKING - VERSIONS WITH MEASURES IN INCHES

D (inches)	D (mm)	SERIE	CHROME STEEL BEARING														COVER CODES											
			Support CODES			DIMENSIONS (mm)											Bearing load (N)		Bearing support load		GREY RAL 7042		BLUE RAL 5015		ORANGE RAL 2004		RED RAL 3000	
			Black	White	Blue Ral 5005	E	A	S1	S2	G	H	B	I	W	Z	T	C	CO	(N)	Closed	Open	Closed	Open	Closed	Open	Closed	Open	
1"	25,4	UCP 205	84537	84936	87779	106	140	13	10	20	36,5	71,5	19,6	35	39	51,7	14000	7800	6900	80075	85202	85384	87273	82276	87660	87542	87663	
1 1/4"	31,75	UCP 206	84538	84937	87780	121	163	13	10	20	43	84,5	20,7	36	41,7	55,7	19500	11300	9200	80011	85203	84100	87274	82278	87661	87531	87664	



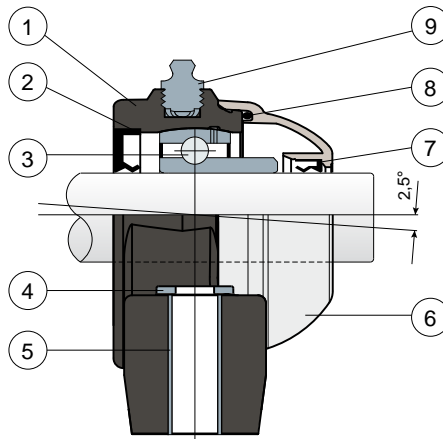
Pillow Blocks

Serie **UCP/C**

NEW



Full protection of bearing



- 1) Housing made out of blue Ral 5005 colour polyamide reinforced with glass fibers.
- 2) Back gasket made out of NBR rubber for turning shaft seal.
- 3) Chrome steel or stainless steel bearing AISI 440.
- 4) UNI 6592 support washer made out of stainless steel AISI 304.
- 5) Spacer for fixing reinforcement made out of stainless steel AISI 304.
- 6) Protection cover made out of polypropylene (orange Ral 2004 colour).
- 7) Front gasket made out of NBR rubber for turning shaft seal.
- 8) OR gasket made out of NBR rubber.
- 9) Greaser, straight type with 1/8 gas thread, made out of stainless steel AISI 303.

Support dimensions respect ISO 3228 set of rules

Maximum shaft alignment error 2,5°

For further information please contact our technical office or sales department.

MATERIALS: Support made out of blue Ral 5005 colour PA + glass fiber; chrome steel or stainless steel bearing; greaser made out of stainless steel; reinforcement bushings and washers made out of stainless steel AISI 304; gaskets made out of NBR rubber; cover made out of orange Ral 2004 colour polypropylene.

FEATURES: Full protection of bearing against external agents. Assembly with not shouldered shafts. The reduced contact surface of the base of the support allows maximum sanification. Maximum shaft alignment error 2.5°.

BOX QUANTITY: 8 pieces.

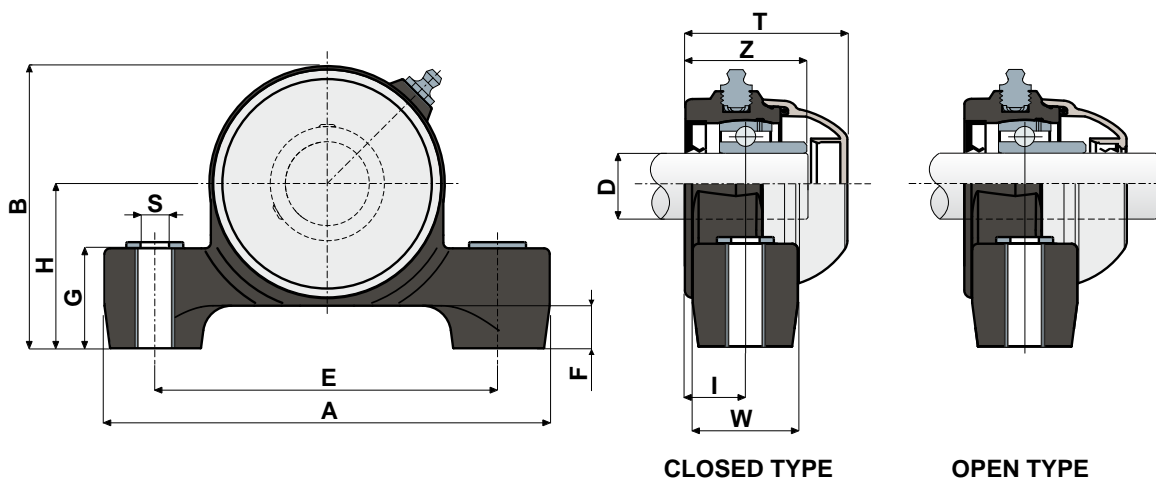
ON REQUEST: Versions with body in polypropylene + glass fiber and antibacterial additive; supports with eccentric collar shaft locking with chrome steel bearing; protection cover in different colours and with customized brand; box quantity according to your request; Viton gaskets; "Long life" bearings.



Pillow Blocks

Technical data

Serie **UCP/C**



CHROME STEEL BEARING																	
D	SERIE	Support CODES		DIMENSIONS (mm)										Bearing load (N)		Bearing support load	
		Blue Ral 5005		E	A	S	F	G	H	B	I	W	Z	T	C	C0	(N)
		Closed	Open														
25	UCP 205 C	88642	88643	106	141	10,5	15	34,5	51,5	86,5	19,6	35	39	51,7	14000	7800	6900
30	UCP 206 C	88399	88400	121	157	10,5	15	34,5	58	99,5	20,7	36	42,7	55,6	19500	11300	9200

STAINLESS STEEL BEARING AISI 440																	
D	SERIE	Support CODES		DIMENSIONS (mm)										Bearing load (N)		Bearing support load	
		Blue Ral 5005		E	A	S	F	G	H	B	I	W	Z	T	C	C0	(N)
		Closed	Open														
25	UCP 205 C	88645	88646	106	141	10,5	15	34,5	51,5	86,5	19,6	35	39	51,7	9150	7800	6900
30	UCP 206 C	88639	88640	121	157	10,5	15	34,5	58	99,5	20,7	36	42,7	55,6	12500	11200	9200

Self-aligning bearings with Solid body: completely closed surface to guarantee the max hygiene.



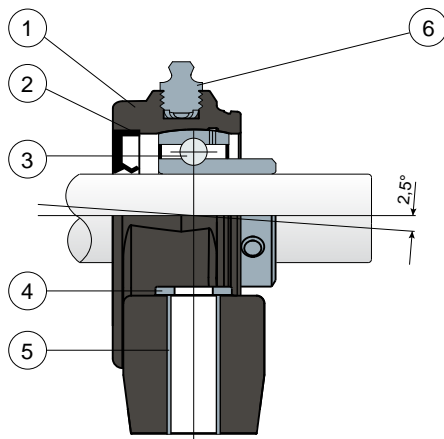
Pillow Blocks

Serie **UCP/CX**

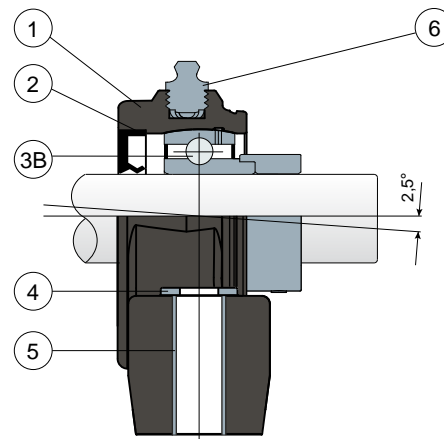
NEW



Grub screws shaft locking - Without protection cover



Eccentric collar shaft locking - Without protection cover



- 1) Housing made out of blue Ral 5005 colour polyamide reinforced with glass fibers.
- 2) Back gasket made out of NBR rubber for turning shaft seal.
- 3) Chrome steel or stainless steel bearing AISI 440.
- 3B) Chrome steel bearing.
- 4) UNI 6592 support washer made out of stainless steel AISI 304.
- 5) Spacer for fixing reinforcement made out of stainless steel AISI 304.
- 6) Greaser, straight type with 1/8 gas thread, made out of stainless steel AISI 303.

NOTE: The only difference from UCP/C series is lack of protection cover, which can be ordered separately as an accessory.

Support dimensions respect ISO 3228 set of rules

Maximum shaft alignment error 2,5°

For further information please contact our technical office or sales department.

MATERIALS: Support made out of blue Ral 5005 colour PA + glass fiber; bearing with grub screws shaft locking in chrome steel or stainless steel; bearing with eccentric collar shaft locking in chrome steel; greaser made out of stainless steel; reinforcement bushings and washers made out of stainless steel AISI 304; gaskets made out of NBR rubber; cover made out of polypropylene grey Ral 7042, blue Ral 5015, orange Ral 2004, red Ral 3000 colour.

FEATURES: The difference from UCP/C series is lack of protection cover which can be ordered separately as an accessory. The reduced contact surface of the base of the support allows maximum sanitation. Assembly with not shouldered shafts. Maximum shaft alignment error 2.5°.

BOX QUANTITY: 8 pieces.

ON REQUEST: Versions with body in polypropylene + glass fiber and antibacterial additive; protection cover in different colours and with customized brand; box quantity according to your request; Viton gaskets, "Long life" bearings.



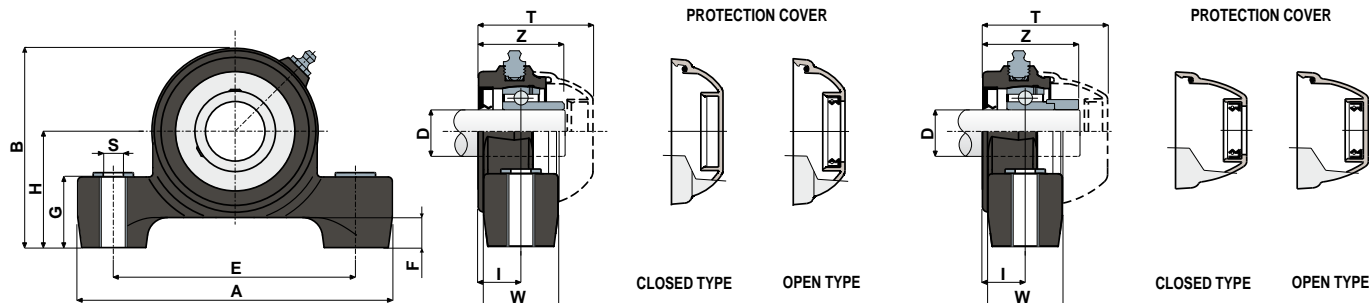
Pillow Blocks

Technical data

Serie **UCP/CX**

GRUB SCREWS SHAFT LOCKING

ECCENTRIC COLLAR SHAFT LOCKING



GRUB SCREWS SHAFT LOCKING

D	SERIE	Support CODES	CHROME STEEL BEARING											COVER CODES											
			DIMENSIONS (mm)											Bearing load (N)		Bearing support load		GREY RAL 7042		BLUE RAL 5015		ORANGE RAL 2004		RED RAL 3000	
			E	A	S	F	G	H	B	I	W	Z	T	C	CO	(N)	Closed	Open	Closed	Open	Closed	Open	Closed	Open	
25	UCP 205 CX	88644	106	141	10,5	15	34,5	51,5	86,5	19,6	35	39	51,7	14000	7800	6900	80075	80076	85384	85385	82276	82277	87542	87543	
30	UCP 206 CX	88401	121	157	10,5	15	34,5	58	99,5	20,7	36	42,7	55,6	19500	11300	9200	80011	80053	84100	80354	82278	82279	87531	87530	

ECCENTRIC COLLAR SHAFT LOCKING

D	SERIE	Support CODES	CHROME STEEL BEARING											COVER CODES					
			DIMENSIONS (mm)											Bearing load (N)		Bearing support load		GREY RAL 7042	
			E	A	S	F	G	H	B	I	W	Z	T	C	CO	(N)	Closed	Open	
25	UCP 205 CX	88650	106	141	10,5	15	34,5	51,5	86,5	19,6	35	43	57,5	14000	7800	6900	88373	88374	
30	UCP 206 CX	88651	121	157	10,5	15	34,5	58	99,5	20,7	36	47,4	61,8	19500	11300	9200	88375	88376	

GRUB SCREWS SHAFT LOCKING

D	SERIE	Support CODES	STAINLESS STEEL BEARING AISI 440											COVER CODES											
			DIMENSIONS (mm)											Bearing load (N)		Bearing support load		GREY RAL 7042		BLUE RAL 5015		ORANGE RAL 2004		RED RAL 3000	
			E	A	S	F	G	H	B	I	W	Z	T	C	CO	(N)	Closed	Open	Closed	Open	Closed	Open	Closed	Open	
25	UCP 205 CX	88647	106	141	10,5	15	34,5	51,5	86,5	19,6	35	39	51,7	9150	7800	6900	80075	80076	85384	85385	82276	82277	87542	87543	
30	UCP 206 CX	88641	121	157	10,5	15	34,5	58	99,5	20,7	36	42,7	55,6	12500	11200	9200	80011	80053	84100	80354	82278	82279	87531	87530	



Self-aligning bearings with Solid body: completely closed surface to guarantee the max hygiene.



Compact Pillow Blocks

Serie **UCPA/C**



On request covers in polypropylene blue Ral 5015 colour.

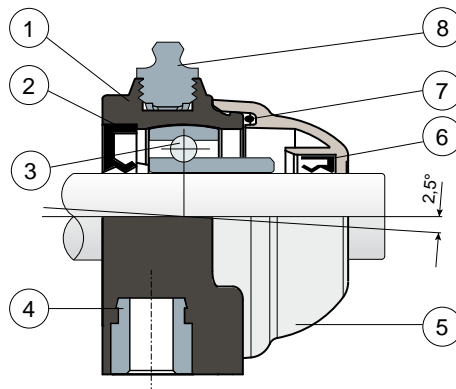


On request covers in polypropylene orange Ral 2004 colour.



On request covers in polypropylene red Ral 3000 colour.

Full protection of bearing



- 1) Housing made out of black or white colour polyamide reinforced with glass fibers.
- 2) Back gasket made out of NBR rubber for turning shaft seal.
- 3) Chrome steel or stainless steel bearing AISI 440.
- 4) Bushing made of nickel plated brass.
- 5) Protection cover made out of polypropylene (grey colour Ral 7042).
- 6) Front gasket made out of NBR rubber for turning shaft seal.
- 7) OR gasket made out of NBR rubber.
- 8) Greaser, straight type with 1/8 gas thread, made out of nickel-plated brass.

Support dimensions respect ISO 3228 set of rules.

Maximum shaft alignment error 2,5°.

For further information please contact our technical office or sales department.

MATERIALS: Housing is made out of PA + glass fiber in black or white colours; chrome steel or stainless steel bearing; greaser and bushings made out of nickel plated brass; gaskets made out of NBR rubber; cover made out of grey RAL 7042 colour polypropylene.

FEATURES: Full protection of bearing against external agents. Assembly with not shouldered shafts. Maximum shaft alignment error 2,5°.

BOX QUANTITY: 8 pieces.

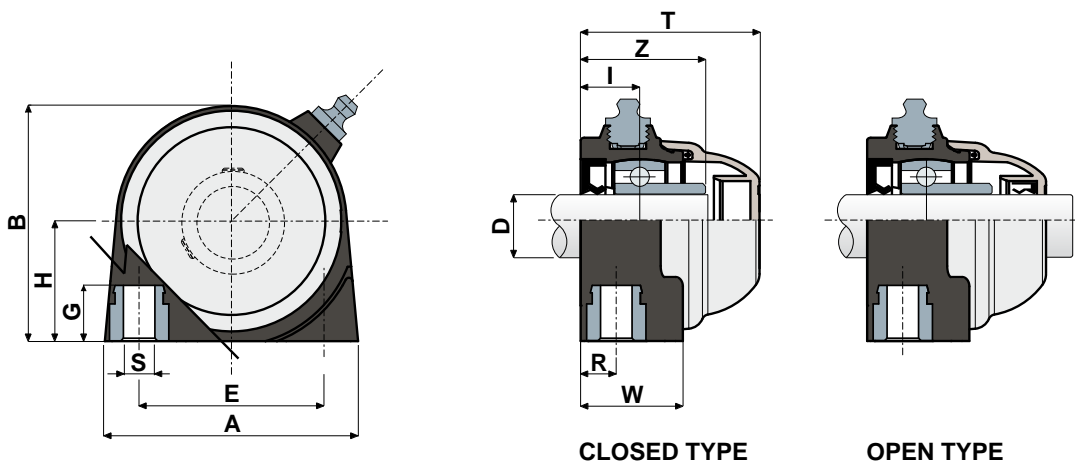
ON REQUEST: Versions with body in polypropylene + glass fiber and antibacterial additive; supports with eccentric collar shaft locking with chrome steel bearing; protection cover in different colours and with customized brand; box quantity according to your request; Viton gaskets, "Long life" bearings.



Compact Pillow Blocks

Technical data

Serie **UCPA/C**



CHROME STEEL BEARING																			
D	SERIE	CODES				DIMENSIONS (mm)											Bearing load (N)		Bearing support load
		Black		White		E	A	S	G	H	B	R	W	I	Z	T	C	C0	(N)
		Closed	Open	Closed	Open														
20	UCPA 204 C	85601	85603	85618	85619	50,8	70	M8	13	33,2	65	10	28	16,2	34,2	49	12800	6600	2500
25	UCPA 205 C	85604	85605	85620	85621	50,8	75	M10	13	36,5	72	12	30	18,8	38,3	52	14000	7800	3000

STAINLESS STEEL BEARING AISI 440																			
D	SERIE	CODES				DIMENSIONS (mm)											Bearing load (N)		Bearing support load
		Black		White		E	A	S	G	H	B	R	W	I	Z	T	C	C0	(N)
		Closed	Open	Closed	Open														
20	UCPA 204 C	85606	85607	85622	85623	50,8	70	M8	13	33,2	65	10	28	16,2	34,2	49	8300	6600	2500
25	UCPA 205 C	85608	85609	85624	85625	50,8	75	M10	13	36,5	72	12	30	18,8	38,3	52	9150	7800	3000

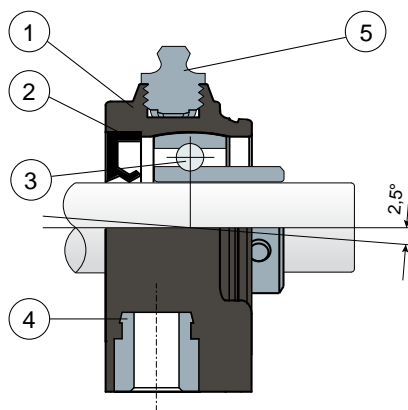


Compact Pillow Blocks

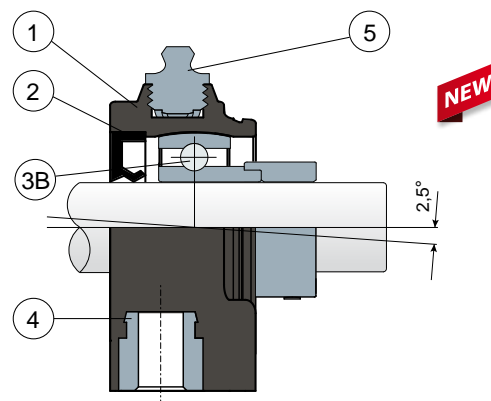
Serie **UCPA/CX**



Grub screws shaft locking - Without protection cover



Eccentric collar shaft locking - Without protection cover



- 1) Housing made out of black or white colour polyamide reinforced with glass fibers.
- 2) Back gasket made out of NBR rubber for turning shaft seal.
- 3) Chrome steel or stainless steel bearing AISI 440.
- 3B) Chrome steel bearing.
- 4) Bushing made of nickel plated brass.
- 5) Greaser, straight type with 1/8 gas thread, made out of nickel-plated brass.

NOTE: The only difference from UCPA/C series is lack of protection cover, which can be ordered separately as an accessory.

Support dimensions respect ISO 3228 set of rules.

Maximum shaft alignment error 2,5°.

For further information please contact our technical office or sales department.

MATERIALS: Housing is made out of PA + glass fiber in black or white colours; bearing with grub screws shaft locking in chrome steel or stainless steel; bearing with eccentric collar shaft locking in chrome steel; greaser and bushings made out of nickel plated brass; gaskets made out of NBR rubber; cover made out of polypropylene grey Ral 7042, blue Ral 5015, orange Ral 2004 or red Ral 3000 colour.

FEATURES: The difference from UCPA/C series is lack of protection cover which can be ordered separately as an accessory. Assembly with not shouldered shafts. Maximum shaft alignment error 2,5°.

BOX QUANTITY: 8 pieces.

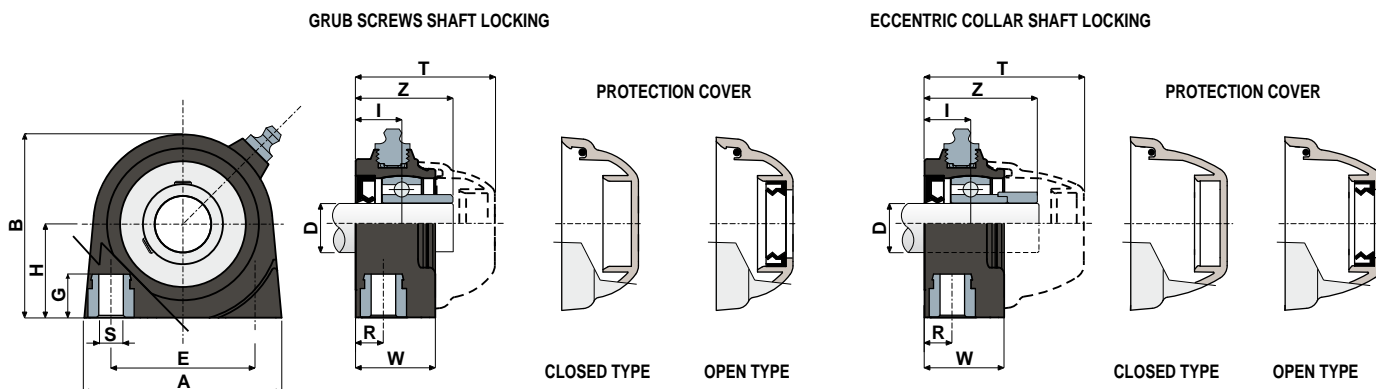
ON REQUEST: Versions with body in polypropylene + glass fiber and antibacterial additive; protection cover in different colours and with customized brand; box quantity according to your request; Viton gaskets, "Long life" bearings.



Compact Pillow Blocks

Technical data

Serie **UCPA/CX**



GRUB SCREWS SHAFT LOCKING

D	SERIE	CHROME STEEL BEARING												COVER CODES													
		Support CODES		DIMENSIONS (mm)										Bearing load (N)		Bearing support load		GREY RAL 7042				BLUE RAL 5015		ORANGE RAL 2004		RED RAL 3000	
		Black	White	E	A	S	G	H	B	R	W	I	Z	T	C	CO	(N)	Closed	Open	Closed	Open	Closed	Open	Closed	Open		
20	UCPA 204 CX	85610	85626	50,8	70	M8	13	33,2	65	10	28	16,2	34,2	49	12800	6600	2500	80254	80255	87259	83901	82305	82306	87540	87541		
25	UCPA 205 CX	85611	85627	50,8	75	M10	13	36,5	72	12	30	18,8	38,3	52	14000	7800	3000	80075	80076	85384	85385	82276	82277	87542	87543		

ECCENTRIC COLLAR SHAFT LOCKING

D	SERIE	CHROME STEEL BEARING												COVER CODES					
		Support CODES		DIMENSIONS (mm)										Bearing load (N)		Bearing support load		GREY RAL 7042	
		Black	White	E	A	S	G	H	B	R	W	I	Z	T	C	CO	(N)	Closed	Open
20	UCPA 204 CX	88607	88609	50,8	70	M8	13	33,2	65	10	28	16,2	39,7	56	12800	6600	2500	88371	88372
25	UCPA 205 CX	88608	88610	50,8	75	M10	13	36,5	72	12	30	18,8	42,3	58	14000	7800	3000	88373	88374

NEW

GRUB SCREWS SHAFT LOCKING

D	SERIE	STAINLESS STEEL BEARING AISI 440												COVER CODES													
		Support CODES		DIMENSIONS (mm)										Bearing load (N)		Bearing support load		GREY RAL 7042				BLUE RAL 5015		ORANGE RAL 2004		RED RAL 3000	
		Black	White	E	A	S	G	H	B	R	W	I	Z	T	C	CO	(N)	Closed	Open	Closed	Open	Closed	Open	Closed	Open		
20	UCPA 204 CX	85612	85628	50,8	70	M8	13	33,2	65	10	28	16,2	34,2	49	8300	6600	2500	80254	80255	87259	83901	82305	82306	87540	87541		
25	UCPA 205 CX	85613	85629	50,8	75	M10	13	36,5	72	12	30	18,8	38,3	52	9150	7800	3000	80075	80076	85384	85385	82276	82277	87542	87543		



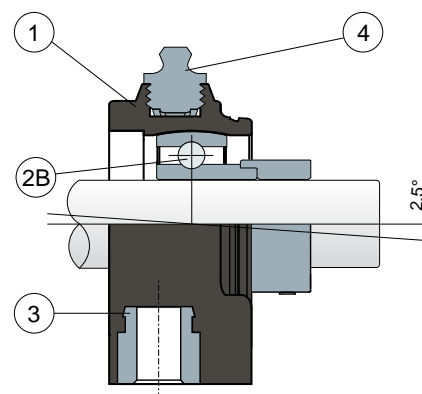
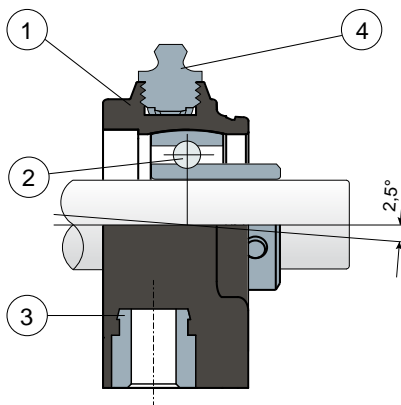
Compact Pillow Blocks

Serie **UCPA**



Grub screws shaft locking - Without cover and back gasket

Eccentric collar shaft locking - Without cover and back gasket



NEW

- 1) Housing made out of black or white colour polyamide reinforced with glass fibers.
- 2) Chrome steel or stainless steel bearing AISI 440.
- 2B) Chrome steel bearing.
- 3) Bushing made of nickel plated brass.
- 4) Greaser, straight type with 1/8 gas thread, made out of nickel-plated brass.

NOTE: The only difference from UCPA/C series is lack of back gasket and protection cover, which can be ordered separately as accessories.

Support dimensions respect ISO 3228 set of rules.

Maximum shaft alignment error 2,5°.

For further information please contact our technical office or sales department.

MATERIALS: Housing is made out of PA + glass fiber in black or white colours; bearing with grub screws shaft locking in chrome steel or stainless steel; bearing with eccentric collar shaft locking in chrome steel; greaser and bushings made out of nickel plated brass; gaskets made out of NBR rubber; cover made out of polypropylene grey Ral 7042, blue Ral 5015, orange Ral 2004 or red Ral 3000 colour.

FEATURES: The difference from UCPA/C series is lack of back gasket and protection cover, which can be ordered separately as accessories. Assembly with shouldered and not shouldered shafts. Maximum shaft alignment error 2,5°.

BOX QUANTITY: 8 pieces.

ON REQUEST: Versions with body in polypropylene + glass fiber and antibacterial additive; protection cover in different colours and with customized brand; box quantity according to your request; Viton gaskets, "Long life" bearings.



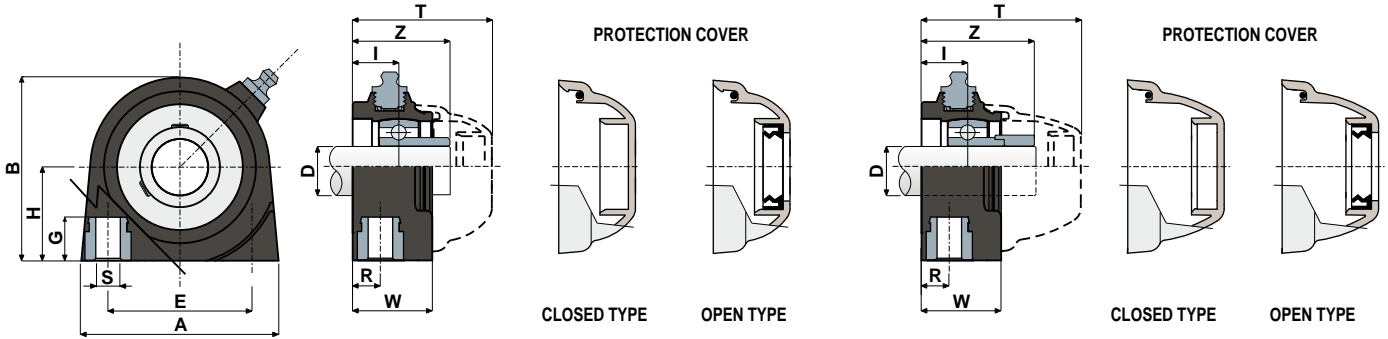
Compact Pillow Blocks

Technical data

Serie **UCPA**

GRUB SCREWS SHAFT LOCKING

ECCENTRIC COLLAR SHAFT LOCKING



GRUB SCREWS SHAFT LOCKING

D	SERIE	CHROME STEEL BEARING													COVER CODES											
		Support CODES		DIMENSIONS (mm)											Bearing load (N)		Bearing support load		GREY RAL 7042		BLUE RAL 5015		ORANGE RAL 2004		RED RAL 3000	
		Black	White	E	A	S	G	H	B	R	W	I	Z	T	C	CO	(N)	Closed	Open	Closed	Open	Closed	Open	Closed	Open	
20	UCPA 204	85614	85630	50,8	70	M8	13	33,2	65	10	28	16,2	34,2	49	12800	6600	2500	80254	80255	87259	83901	82305	82306	87540	87541	
25	UCPA 205	85615	85631	50,8	75	M10	13	36,5	72	12	30	18,8	38,3	52	14000	7800	3000	80075	80076	85384	85385	82276	82277	87542	87543	

ECCENTRIC COLLAR SHAFT LOCKING

D	SERIE	CHROME STEEL BEARING													COVER CODES					
		Support CODES		DIMENSIONS (mm)											Bearing load (N)		Bearing support load		GREY RAL 7042	
		Black	White	E	A	S	G	H	B	R	W	I	Z	T	C	CO	(N)	Closed	Open	
20	UCPA 204	88611	88613	50,8	70	M8	13	33,2	65	10	28	16,2	39,7	56	12800	6600	2500	88371	88372	
25	UCPA 205	88612	88614	50,8	75	M10	13	36,5	72	12	30	18,8	42,3	58	14000	7800	3000	88373	88374	

NEW

GRUB SCREWS SHAFT LOCKING

D	SERIE	STAINLESS STEEL BEARING AISI 440													COVER CODES											
		Support CODES		DIMENSIONS (mm)											Bearing load (N)		Bearing support load		GREY RAL 7042		BLUE RAL 5015		ORANGE RAL 2004		RED RAL 3000	
		Black	White	E	A	S	G	H	B	R	W	I	Z	T	C	CO	(N)	Closed	Open	Closed	Open	Closed	Open	Closed	Open	
20	UCPA 204	85616	85632	50,8	70	M8	13	33,2	65	10	28	16,2	34,2	49	8300	6600	2500	80254	80255	87259	83901	82305	82306	87540	87541	
25	UCPA 205	85617	85633	50,8	75	M10	13	36,5	72	12	30	18,8	38,3	52	9150	7800	3000	80075	80076	85384	85385	82276	82277	87542	87543	

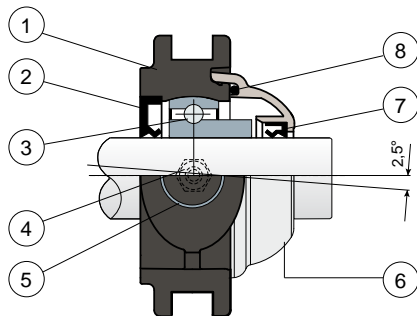


Take-up bearing supports

Serie **UCT/C**



Full protection of bearing



- 1) Housing made out of black or white colour polyamide reinforced with glass fibers.
- 2) Back gasket made out of NBR rubber for turning shaft seal.
- 3) Chrome steel or stainless steel bearing AISI 440.
- 4) Greaser, straight type with 1/8 gas thread, made out of nickel-plated brass.
- 5) Bushing made of nickel plated brass.
- 6) Protection cover made out of polypropylene (grey colour Ral 7042).
- 7) Front gasket made out of NBR rubber for turning shaft seal.
- 8) OR gasket made out of NBR rubber.

Support dimensions respect ISO 3228 set of rules.

Maximum shaft alignment error 2,5°.

For further information please contact our technical office or sales department.

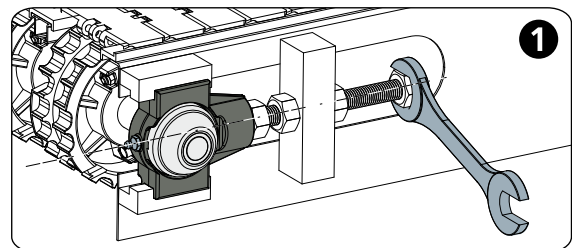
MATERIALS: Housing is made out of PA + glass fiber in black or white colours; chrome steel or stainless steel bearing; greaser and bushings made out of nickel plated brass; gaskets made out of NBR rubber; cover made out of grey RAL 7042 colour polypropylene.

FEATURES: Full protection of bearing against external agents. Assembly with not shouldered shafts. Maximum shaft alignment error 2,5°.

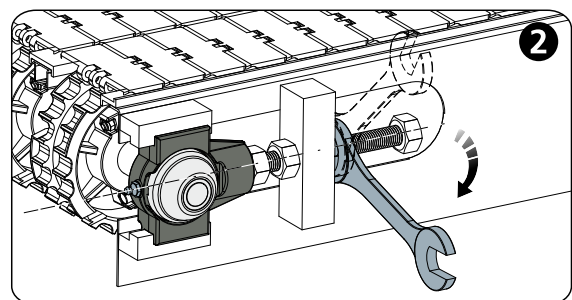
BOX QUANTITY: 8 pieces.

ON REQUEST: Versions with body in polypropylene + glass fiber and antibacterial additive; supports with eccentric collar shaft locking with chrome steel bearing; protection cover in different colours and with customized brand; box quantity according to your request; Viton gaskets, "Long life" bearings.

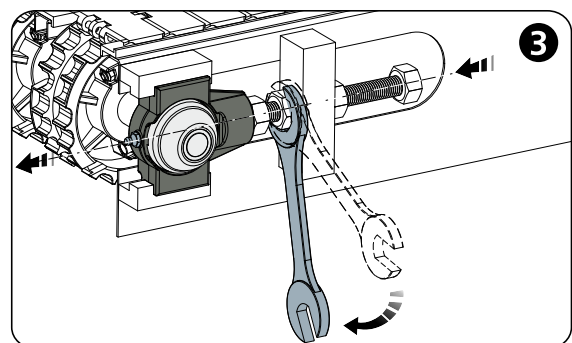
Example of application



Lock the shaft



Unscrew the lock



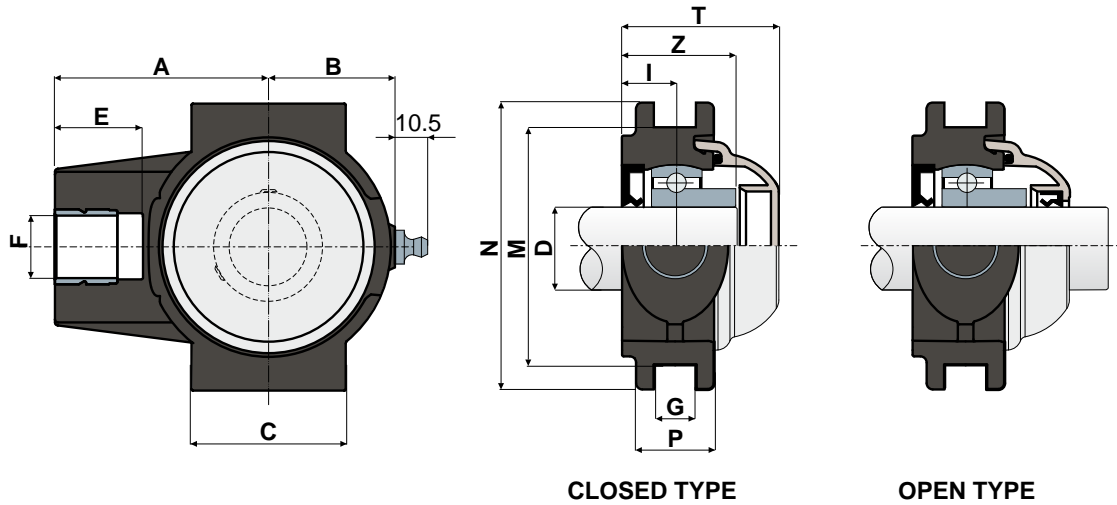
Screw to make the support advance



Take-up bearing supports

Technical data

Serie **UCT/C**



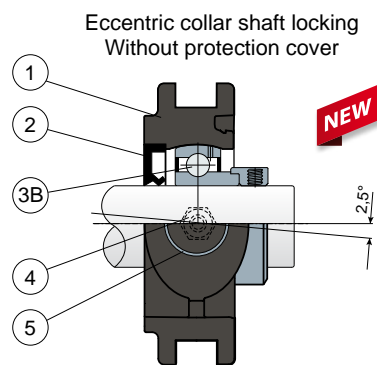
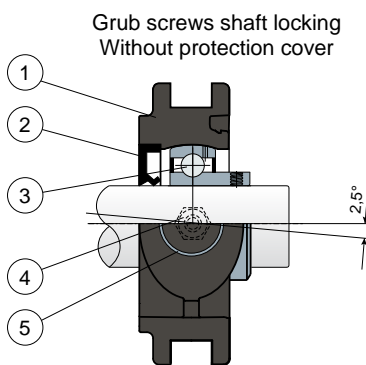
CHROME STEEL BEARING																				
D	SERIE	CODES				DIMENSIONS (mm)											Bearing load (N)		Bearing support load	
		Black		White		A	B	C	E	F	G	I	M	N	P	Z	T	C	C0	(N)
		Closed	Open	Closed	Open															
20	UCT 204 C	85672	85673	85676	85677	63,5	35	50	28	M16	13,5	17	76,2	92	25	35	50	12800	6600	16000
25	UCT 205 C	86103	86104	86105	86106	68,5	40,5	50	28	M20	13,5	17	76,2	92	25	36,5	50,2	14000	7800	24000
30	UCT 206 C	86120	86122	86124	86126	77	48	57	28	M24	13,5	18,5	89	104	28	40,5	55,7	19500	11300	27000

STAINLESS STEEL BEARING AISI 440																				
D	SERIE	CODES				DIMENSIONS (mm)											Bearing load (N)		Bearing support load	
		Black		White		A	B	C	E	F	G	I	M	N	P	Z	T	C	C0	(N)
		Closed	Open	Closed	Open															
20	UCT 204 C	85674	85675	85678	85679	63,5	35	50	28	M16	13,5	17	76,2	92	25	35	50	8300	6600	16000
25	UCT 205 C	86107	86108	86109	86110	68,5	40,5	50	28	M20	13,5	17	76,2	92	25	36,5	50,2	9150	7800	24000
30	UCT 206 C	86128	86130	86132	86134	77	48	57	28	M24	13,5	18,5	89	104	28	40,5	55,7	12500	11200	27000



Take-up bearing supports

Serie **UCT/CX**



- 1) Housing made out of black or white colour polyamide reinforced with glass fibers.
- 2) Back gasket made out of NBR rubber for turning shaft seal.
- 3) Chrome steel or stainless steel bearing AISI 440.
- 3B) Chrome steel bearing.
- 4) Greaser, straight type with 1/8 gas thread, made out of nickel-plated brass.
- 5) Bushing made of nickel plated brass.

NOTE: The only difference from UCT/C series is lack of protection cover, which can be ordered separately as an accessory.

Support dimensions respect ISO 3228 set of rules.
Maximum shaft alignment error 2,5°.
For further information please contact our technical office or sales department.

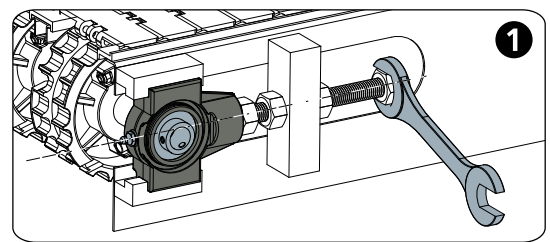
MATERIALS: Housing is made out of PA + glass fiber in black or white colours; bearing with grub screws shaft locking in chrome steel or stainless steel; bearing with eccentric collar shaft locking in chrome steel; greaser and bushings made out of nickel plated brass; gaskets made out of NBR rubber; cover made out of polypropylene grey Ral 7042, blue Ral 5015, orange Ral 2004 or red Ral 3000 colour.

FEATURES: The difference from UCT/C series is lack of protection cover which can be ordered separately as an accessory. Assembly with not shouldered shafts. Maximum shaft alignment error 2,5°.

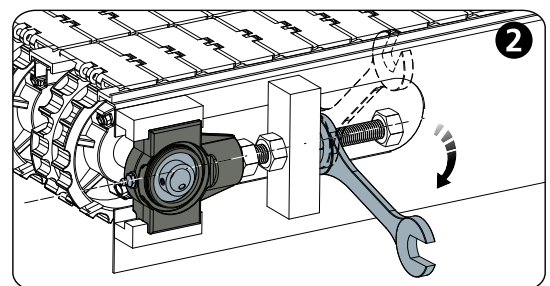
BOX QUANTITY: 8 pieces.

ON REQUEST: Versions with body in polypropylene + glass fiber and antibacterial additive; protection cover in different colours and with customized brand; box quantity according to your request; Viton gaskets, "Long life" bearings.

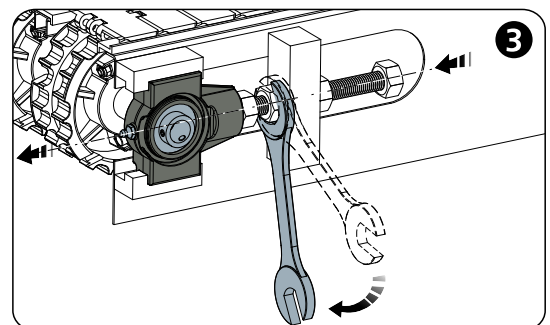
Example of application



Lock the shaft



Unscrew the lock



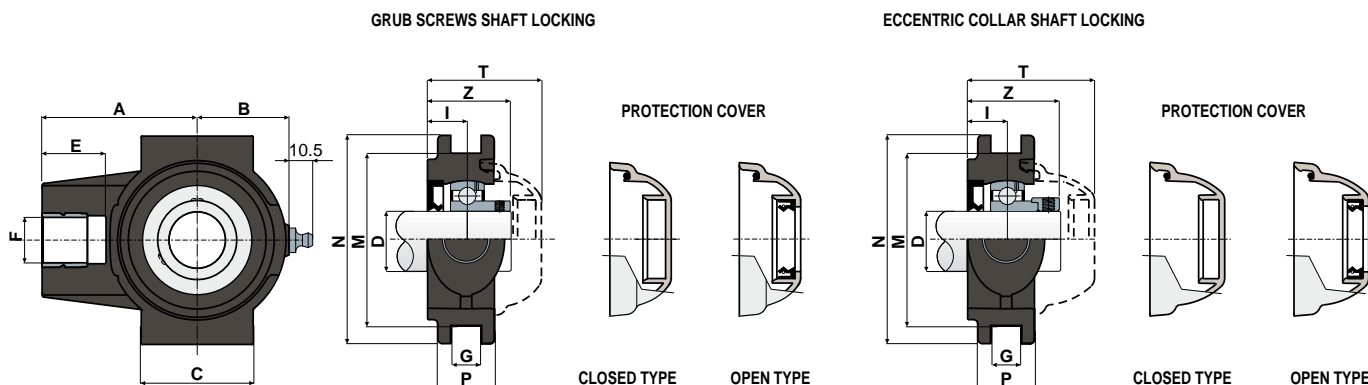
Screw to make the support advance



Take-up bearing supports

Technical data

Serie **UCT/CX**



GRUB SCREWS SHAFT LOCKING

D	SERIE	CHROME STEEL BEARING													COVER CODES											
		Support CODES		DIMENSIONS (mm)											Bearing load (N)		Bearing support load		GREY RAL 7042		BLUE RAL 5015		ORANGE RAL 2004		RED RAL 3000	
		Black	White	A	B	C	E	F	G	I	M	N	P	Z	T	C	CO	(N)	Closed	Open	Closed	Open	Closed	Open	Closed	Open
20	UCT 204 CX	85680	85682	63,5	35	50	28	M16	13,5	17	76,2	92	25	35	50	12800	6600	16000	80254	80255	87259	83901	82305	82306	87540	87541
25	UCT 205 CX	86111	86112	68,5	40,5	50	28	M20	13,5	17	76,2	92	25	36,5	50,2	14000	7800	24000	80075	80076	85384	85385	82276	82277	87542	87543
30	UCT 206 CX	86136	86138	77	48	57	28	M24	13,5	18,5	89	104	28	40,5	55,7	19500	11300	27000	80011	80053	84100	80354	82278	82279	87531	87530

ECCENTRIC COLLAR SHAFT LOCKING

D	SERIE	CHROME STEEL BEARING													COVER CODES					
		Support CODES		DIMENSIONS (mm)											Bearing load (N)		Bearing support load		GREY RAL 7042	
		Black	White	A	B	C	E	F	G	I	M	N	P	Z	T	C	CO	(N)	Closed	Open
20	UCT 204 CX	88615	88618	63,5	35	50	28	M16	13,5	17	76,2	92	25	40,5	56,7	12800	6600	16000	88371	88372
25	UCT 205 CX	88616	88619	68,5	40,5	50	28	M20	13,5	17	76,2	92	25	40,5	56	14000	7800	24000	88373	88374
30	UCT 206 CX	88617	88620	77	48	57	28	M24	13,5	18,5	89	104	28	45,2	62	19500	11300	27000	88375	88376

NEW

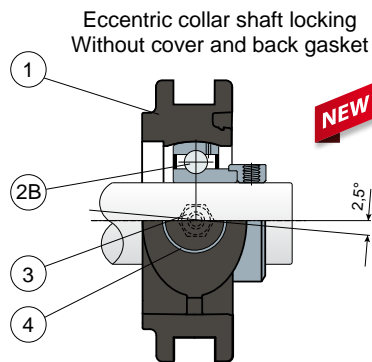
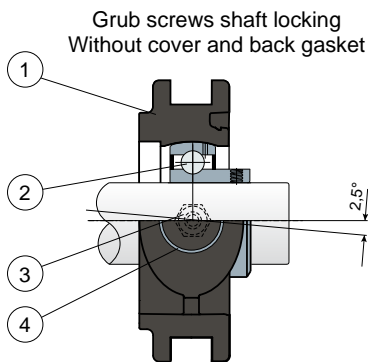
GRUB SCREWS SHAFT LOCKING

D	SERIE	STAINLESS STEEL BEARING AISI 440													COVER CODES											
		Support CODES		DIMENSIONS (mm)											Bearing load (N)		Bearing support load		GREY RAL 7042		BLUE RAL 5015		ORANGE RAL 2004		RED RAL 3000	
		Black	White	A	B	C	E	F	G	I	M	N	P	Z	T	C	CO	(N)	Closed	Open	Closed	Open	Closed	Open	Closed	Open
20	UCT 204 CX	85681	85683	63,5	35	50	28	M16	13,5	17	76,2	92	25	35	50	8300	6600	16000	80254	80255	87259	83901	82305	82306	87540	87541
25	UCT 205 CX	86113	86114	68,5	40,5	50	28	M20	13,5	17	76,2	92	25	36,5	50,2	9150	7800	24000	80075	80076	85384	85385	82276	82277	87542	87543
30	UCT 206 CX	86140	86142	77	48	57	28	M24	13,5	18,5	89	104	28	40,5	55,7	12500	11200	27000	80011	80053	84100	80354	82278	82279	87531	87530



Take-up bearing supports

Serie **UCT**



- 1) Housing made out of black or white colour polyamide reinforced with glass fibers.
- 2) Chrome steel or stainless steel bearing AISI 440.
- 2B) Chrome steel bearing.
- 3) Greaser, straight type with 1/8 gas thread, made out of nickel-plated brass.
- 4) Bushing made of nickel plated brass.

NOTE: The only difference from UCT/C series is lack of back gasket and protection cover, which can be ordered separately as accessories.

Support dimensions respect ISO 3228 set of rules.
Maximum shaft alignment error 2,5°.

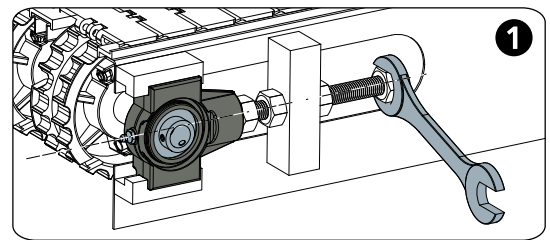
For further information please contact our technical office or sales department.

MATERIALS: Housing is made out of PA + glass fiber in black or white colours; bearing with grub screws shaft locking in chrome steel or stainless steel; bearing with eccentric collar shaft locking in chrome steel; greaser and bushings made out of nickel plated brass; gaskets made out of NBR rubber; cover made out of polypropylene grey Ral 7042, blue Ral 5015, orange Ral 2004 or red Ral 3000 colour.
FEATURES: The difference from UCT/C series is lack of back gasket and protection cover, which can be ordered separately as accessories. Assembly with shouldered and not shouldered shafts. Maximum shaft alignment error 2,5°.

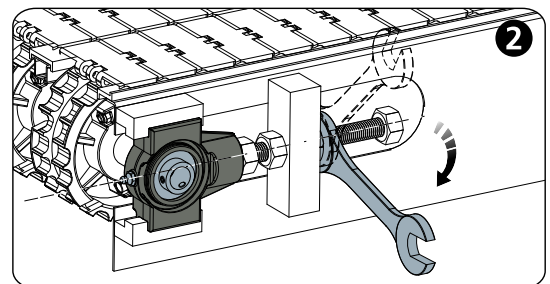
BOX QUANTITY: 8 pieces.

ON REQUEST: Versions with body in polypropylene + glass fiber and antibacterial additive; protection cover in different colours and with customized brand; box quantity according to your request; Viton gaskets, "Long life" bearings.

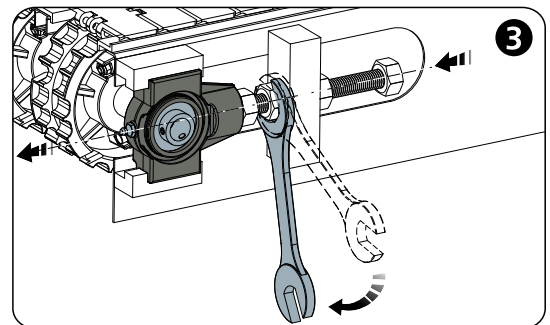
Example of application



Lock the shaft



Unscrew the lock



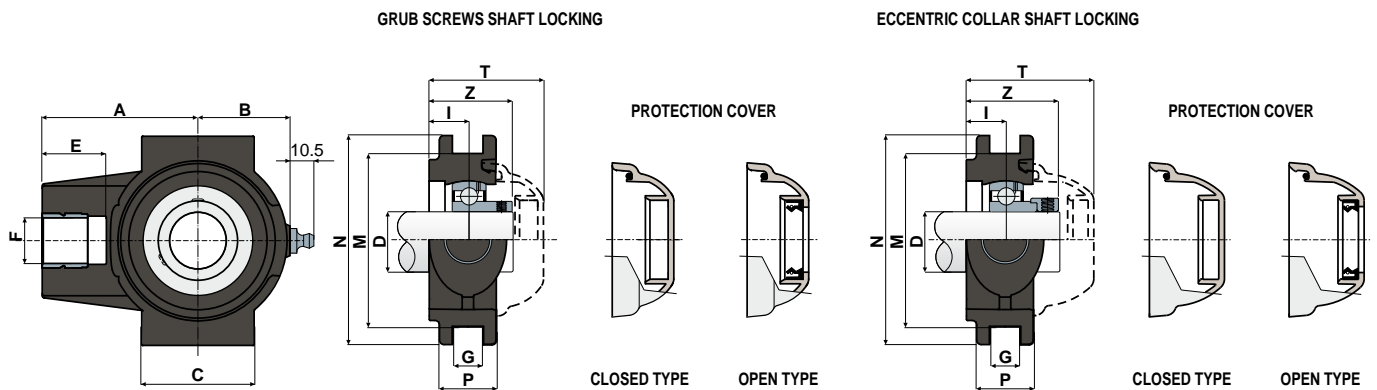
Screw to make the support advance



Take-up bearing supports

Technical data

Serie **UCT**



GRUB SCREWS SHAFT LOCKING

D	SERIE	CHROME STEEL BEARING													COVER CODES											
		Support CODES		DIMENSIONS (mm)											Bearing load (N)		Bearing support load		GREY RAL 7042		BLUE RAL 5015		ORANGE RAL 2004		RED RAL 3000	
		Black	White	A	B	C	E	F	G	I	M	N	P	Z	T	C	CO	(N)	Closed	Open	Closed	Open	Closed	Open	Closed	Open
20	UCT 204	85684	85686	63,5	35	50	28	M16	13,5	17	76,2	92	25	35	50	12800	6600	16000	80254	80255	87259	83901	82305	82306	87540	87541
25	UCT 205	86115	86116	68,5	40,5	50	28	M20	13,5	17	76,2	92	25	36,5	50,2	14000	7800	24000	80075	80076	85384	85385	82276	82277	87542	87543
30	UCT 206	86144	86146	77	48	57	28	M24	13,5	18,5	89	104	28	40,5	55,7	19500	11300	27000	80011	80053	84100	80354	82278	82279	87531	87530

ECCENTRIC COLLAR SHAFT LOCKING

D	SERIE	CHROME STEEL BEARING													COVER CODES					
		Support CODES		DIMENSIONS (mm)											Bearing load (N)		Bearing support load		GREY RAL 7042	
		Black	White	A	B	C	E	F	G	I	M	N	P	Z	T	C	CO	(N)	Closed	Open
20	UCT 204	88621	88624	63,5	35	50	28	M16	13,5	17	76,2	92	25	40,5	56,7	12800	6600	16000	88371	88372
25	UCT 205	88622	88625	68,5	40,5	50	28	M20	13,5	17	76,2	92	25	40,5	56	14000	7800	24000	88373	88374
30	UCT 206	88623	88626	77	48	57	28	M24	13,5	18,5	89	104	28	45,2	62	19500	11300	27000	88375	88376

NEW

GRUB SCREWS SHAFT LOCKING

D	SERIE	STAINLESS STEEL BEARING AISI 440													COVER CODES											
		Support CODES		DIMENSIONS (mm)											Bearing load (N)		Bearing support load		GREY RAL 7042		BLUE RAL 5015		ORANGE RAL 2004		RED RAL 3000	
		Black	White	A	B	C	E	F	G	I	M	N	P	Z	T	C	CO	(N)	Closed	Open	Closed	Open	Closed	Open	Closed	Open
20	UCT 204	85685	85687	63,5	35	50	28	M16	13,5	17	76,2	92	25	35	50	8300	6600	16000	80254	80255	87259	83901	82305	82306	87540	87541
25	UCT 205	86117	86118	68,5	40,5	50	28	M20	13,5	17	76,2	92	25	36,5	50,2	9150	7800	24000	80075	80076	85384	85385	82276	82277	87542	87543
30	UCT 206	86148	86150	77	48	57	28	M24	13,5	18,5	89	104	28	40,5	55,7	12500	11200	27000	80011	80053	84100	80354	82278	82279	87531	87530



Round flanged bearing supports

Serie **UCFC/C**



On request covers in polypropylene blue Ral 5015 colour.

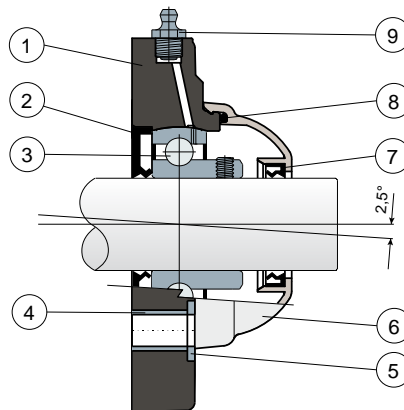


On request covers in polypropylene orange Ral 2004 colour.



On request covers in polypropylene red Ral 3000 colour.

Full protection of bearing



- 1) Housing made out of black or white colour polyamide reinforced with glass fibers.
- 2) Back gasket made out of NBR rubber for turning shaft seal.
- 3) Chrome steel or stainless steel bearing AISI 440.
- 4) Spacer for fixing reinforcement made out of stainless steel AISI 304.
- 5) UNI 6592 support washer made out of stainless steel AISI 304.
- 6) Protection cover made out of polypropylene (grey colour Ral 7042).
- 7) Front gasket made out of NBR rubber for turning shaft seal.
- 8) OR gasket made out of NBR rubber.
- 9) Greaser, straight type with 1/8 gas thread, made out of nickel-plated brass.

Support dimensions respect ISO 3228 set of rules.

Maximum shaft alignment error 2,5°.

For further information please contact our technical office or sales department.

MATERIALS: Housing is made out of PA + glass fiber in black or white colours; chrome steel or stainless steel bearing; greaser made out of nickel plated brass; reinforcement bushings and washers made out of stainless steel AISI 304; gaskets made out of NBR rubber; cover made out of grey RAL 7042 colour polypropylene.

FEATURES: Full protection of bearing against external agents. Assembly with not shouldered shafts. Maximum shaft alignment error 2,5°.

BOX QUANTITY: 8 pieces.

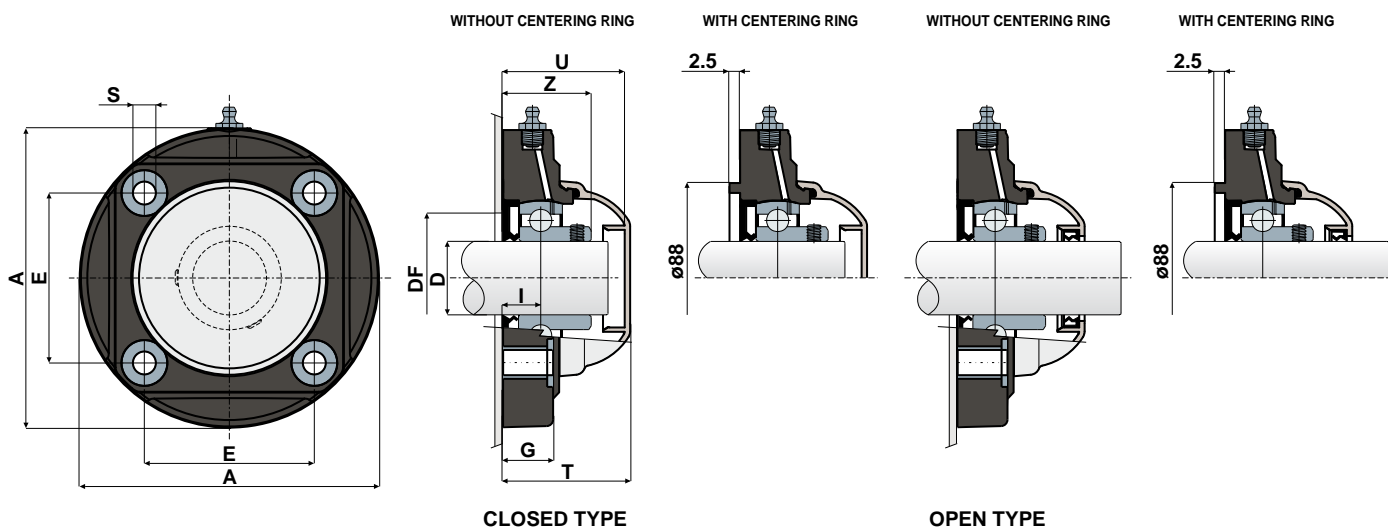
ON REQUEST: Versions with body in polypropylene + glass fiber and antibacterial additive; supports with eccentric collar shaft locking with chrome steel bearing; protection cover in different colours and with customized brand; box quantity according to your request; Viton gaskets, "Long life" bearings.



Round flanged bearing supports

Technical data

Serie **UCFC/C**



FLANGE WITHOUT CENTERING RING

CHROME STEEL BEARING																		
D	SERIE	CODES				DIMENSIONS (mm)										Bearing load (N)		Bearing support load
		Black		White		E	A	S	G	I	Z	U	T	DF		C	CO	(N)
		Closed	Open	Closed	Open									Max	Min			
35	UCFC 207 C	85647	85649	85655	85657	77,8	137	10,5	26	17	40,8	56	58	70	55	25500	15300	19550

STAINLESS STEEL BEARING AISI 440																		
D	SERIE	CODES				DIMENSIONS (mm)										Bearing load (N)		Bearing support load
		Black		White		E	A	S	G	I	Z	U	T	DF		C	CO	(N)
		Closed	Open	Closed	Open									Max	Min			
35	UCFC 207 C	85651	85653	85659	85661	77,8	137	10,5	26	17	40,8	56	58	70	55	16600	15300	19550

FLANGE WITH CENTERING RING

CHROME STEEL BEARING																		
D	SERIE	CODES				DIMENSIONS (mm)										Bearing load (N)		Bearing support load
		Black		White		E	A	S	G	I	Z	U	T	DF		C	CO	(N)
		Closed	Open	Closed	Open									Max	Min			
35	UCFC 207 C	86029	86025	86031	86027	77,8	137	10,5	26	17	40,8	56	58	-	-	25500	15300	19550

STAINLESS STEEL BEARING AISI 440																		
D	SERIE	CODES				DIMENSIONS (mm)										Bearing load (N)		Bearing support load
		Black		White		E	A	S	G	I	Z	U	T	DF		C	CO	(N)
		Closed	Open	Closed	Open									Max	Min			
35	UCFC 207 C	86030	86026	86032	86028	77,8	137	10,5	26	17	40,8	56	58	-	-	16600	15300	19550

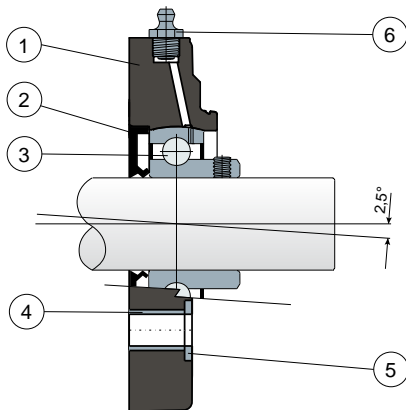


Round flanged bearing supports

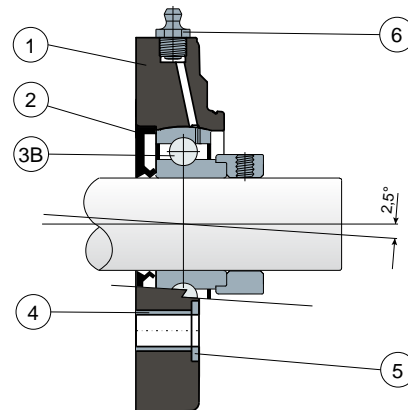
Serie **UCFC/CX**



Grub screws shaft locking - Without protection cover



Eccentric collar shaft locking - Without protection cover



NEW

- 1) Housing made out of black or white colour polyamide reinforced with glass fibers.
- 2) Back gasket made out of NBR rubber for turning shaft seal.
- 3) Chrome steel or stainless steel bearing AISI 440.
- 3B) Chrome steel bearing.
- 4) Spacer for fixing reinforcement made out of stainless steel AISI 304.
- 5) UNI 6592 support washer made out of stainless steel AISI 304.
- 6) Greaser, straight type with 1/8 gas thread, made out of nickel-plated brass.

NOTE: The only difference from UCFC/C series is lack of protection cover, which can be ordered separately as an accessory.

Support dimensions respect ISO 3228 set of rules.

Maximum shaft alignment error 2,5°.

For further information please contact our technical office or sales department.

MATERIALS: Housing is made out of PA + glass fiber in black or white colours; bearing with grub screws shaft locking in chrome steel or stainless steel; bearing with eccentric collar shaft locking in chrome steel; greaser made out of nickel plated brass; reinforcement bushings and washers made out of stainless steel AISI 304; gaskets made out of NBR rubber; cover made out of polypropylene grey Ral 7042, blue Ral 5015, orange Ral 2004 or red Ral 3000 colour.

FEATURES: The difference from UCFC/C series is lack of protection cover which can be ordered separately as an accessory. Assembly with not shouldered shafts. Maximum shaft alignment error 2,5°.

BOX QUANTITY: 8 pieces.

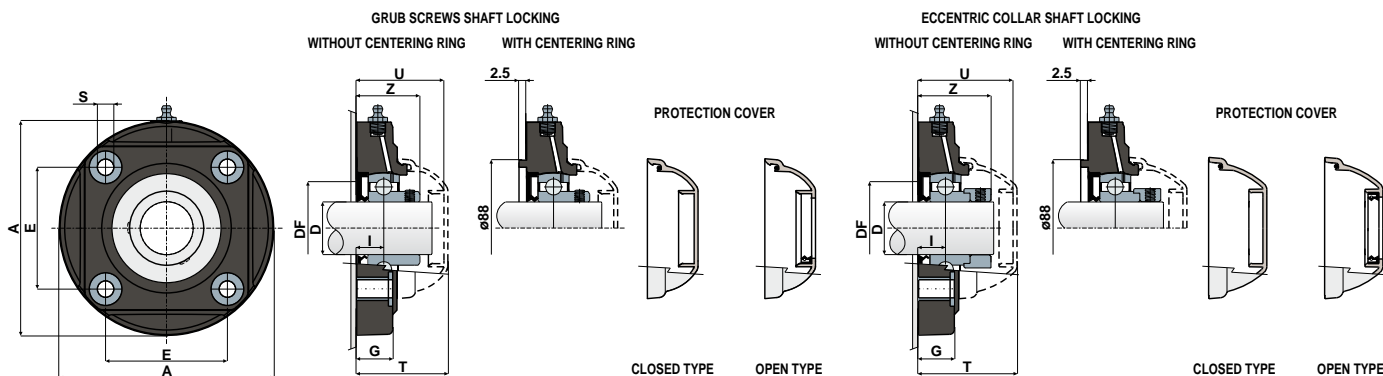
ON REQUEST: Versions with body in polypropylene + glass fiber and antibacterial additive; protection cover in different colours and with customized brand; box quantity according to your request; Viton gaskets, "Long life" bearings.



Round flanged bearing supports

Technical data

Serie **UCFC/CX**



GRUB SCREWS SHAFT LOCKING - FLANGE WITHOUT CENTERING RING

CHROME STEEL BEARING												COVER CODES												
D	SERIE	Support CODES		DIMENSIONS (mm)								Bearing load (N)	Bearing support load	GREY RAL 7042		BLUE RAL 5015		ORANGE RAL 2004		RED RAL 3000				
		Black	White	E	A	S	G	I	Z	U	T			DF	C	CO	(N)	Closed	Open	Closed	Open	Closed	Open	
35	UCFC 207 CX	85663	85666	77,8	137	10,5	26	17	40,8	56	58	70	55	25500	15300	19550	80077	80078	80969	80275	82284	82285	87544	87545

STAINLESS STEEL BEARING AISI 440												COVER CODES												
D	SERIE	Support CODES		DIMENSIONS (mm)								Bearing load (N)	Bearing support load	GREY RAL 7042		BLUE RAL 5015		ORANGE RAL 2004		RED RAL 3000				
		Black	White	E	A	S	G	I	Z	U	T			DF	C	CO	(N)	Closed	Open	Closed	Open	Closed	Open	
35	UCFC 207 CX	85665	85667	77,8	137	10,5	26	17	40,8	56	58	70	55	16600	15300	19550	80077	80078	80969	80275	82284	82285	87544	87545

GRUB SCREWS SHAFT LOCKING - FLANGE WITH CENTERING RING

CHROME STEEL BEARING												COVER CODES												
D	SERIE	Support CODES		DIMENSIONS (mm)								Bearing load (N)	Bearing support load	GREY RAL 7042		BLUE RAL 5015		ORANGE RAL 2004		RED RAL 3000				
		Black	White	E	A	S	G	I	Z	U	T			DF	C	CO	(N)	Closed	Open	Closed	Open	Closed	Open	
35	UCFC 207 CX	86033	86035	77,8	137	10,5	26	17	40,8	56	58	-	-	25500	15300	19550	80077	80078	80969	80275	82284	82285	87544	87545

STAINLESS STEEL BEARING AISI 440												COVER CODES												
D	SERIE	Support CODES		DIMENSIONS (mm)								Bearing load (N)	Bearing support load	GREY RAL 7042		BLUE RAL 5015		ORANGE RAL 2004		RED RAL 3000				
		Black	White	E	A	S	G	I	Z	U	T			DF	C	CO	(N)	Closed	Open	Closed	Open	Closed	Open	
35	UCFC 207 CX	86034	86036	77,8	137	10,5	26	17	40,8	56	58	-	-	16600	15300	19550	80077	80078	80969	80275	82284	82285	87544	87545

ECCENTRIC COLLAR SHAFT LOCKING - FLANGE WITHOUT CENTERING RING

CHROME STEEL BEARING												COVER CODES						
D	SERIE	Support CODES		DIMENSIONS (mm)								Bearing load (N)	Bearing support load	GREY RAL 7042				
		Black	White	E	A	S	G	I	Z	U	T			DF	C	CO	(N)	Closed
35	UCFC 207 CX	88706	88707	77,8	137	10,5	26	17	46,7	60,8	63,3	70	55	25500	15300	19550	88377	88378

NEW

ECCENTRIC COLLAR SHAFT LOCKING - FLANGE WITH CENTERING RING

CHROME STEEL BEARING												COVER CODES						
D	SERIE	Support CODES		DIMENSIONS (mm)								Bearing load (N)	Bearing support load	GREY RAL 7042				
		Black	White	E	A	S	G	I	Z	U	T			DF	C	CO	(N)	Closed
35	UCFC 207 CX	88708	88709	77,8	137	10,5	26	17	46,7	60,8	63,3	-	-	25500	15300	19550	88377	88378

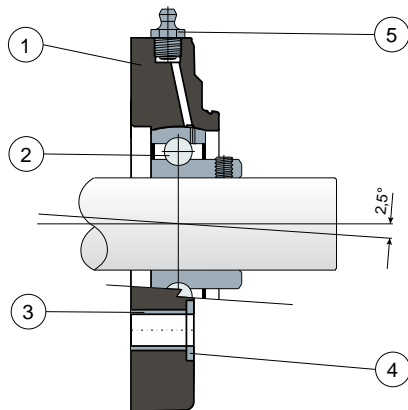
NEW

Round flanged bearing supports

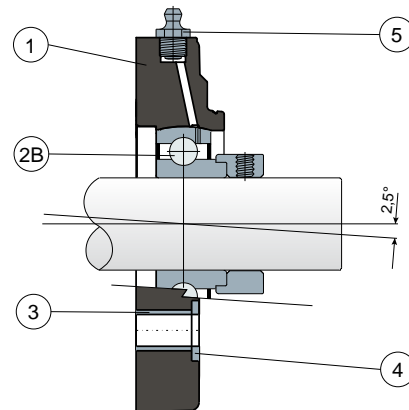
Serie **UCFC**



Grub screws shaft locking - Without cover and back gasket



Eccentric collar shaft locking - Without cover and back gasket



NEW

- 1) Housing made out of black or white colour polyamide reinforced with glass fibers.
- 2) Chrome steel or stainless steel bearing AISI 440.
- 2B) Chrome steel bearing.
- 3) Spacer for fixing reinforcement made out of stainless steel AISI 304.
- 4) UNI 6592 support washer made out of stainless steel AISI 304.
- 5) Greaser, straight type with 1/8 gas thread, made out of nickel-plated brass.

NOTE: The only difference from UCFC/C series is lack of back gasket and protection cover, which can be ordered separately as accessories.

Support dimensions respect ISO 3228 set of rules.
Maximum shaft alignment error 2,5°.

For further information please contact our technical office or sales department.

MATERIALS: Housing is made out of PA + glass fiber in black or white colours; bearing with grub screws shaft locking in chrome steel or stainless steel; bearing with eccentric collar shaft locking in chrome steel; greaser made out of nickel plated brass; reinforcement bushings and washers made out of stainless steel AISI 304; gaskets made out of NBR rubber; cover made out of polypropylene grey Ral 7042, blue Ral 5015, orange Ral 2004 or red Ral 3000 colour.
FEATURES: The difference from UCFC/C series is lack of back gasket and protection cover, which can be ordered separately as accessories. Assembly with shouldered and not shouldered shafts. Maximum shaft alignment error 2,5°.

BOX QUANTITY: 8 pieces.

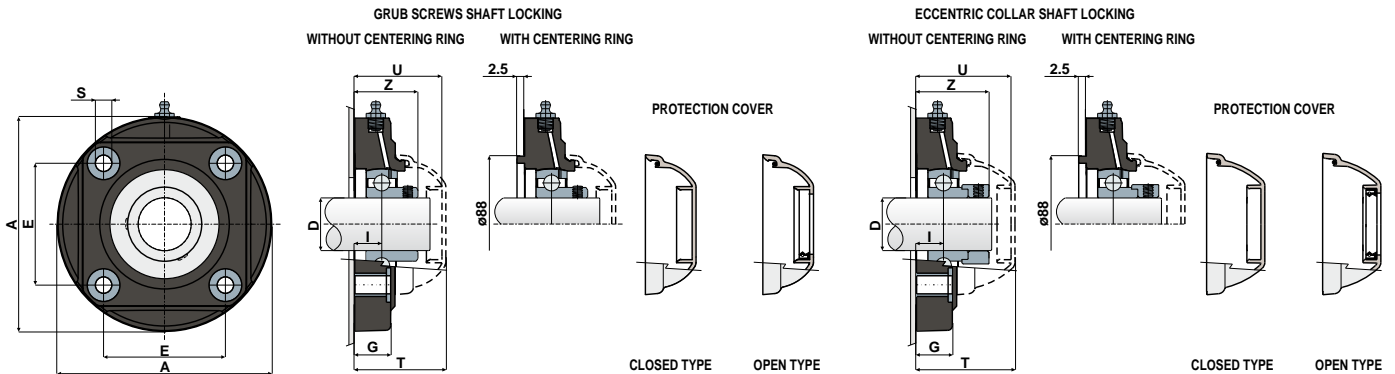
ON REQUEST: Versions with body in polypropylene + glass fiber and antibacterial additive; protection cover in different colours and with customized brand; box quantity according to your request; Viton gaskets, "Long life" bearings.



Round flanged bearing supports

Technical data

Serie **UCFC**



GRUB SCREWS SHAFT LOCKING - FLANGE WITHOUT CENTERING RING

CHROME STEEL BEARING													COVER CODES											
D	SERIE	Support CODES		DIMENSIONS (mm)									Bearing load (N)		Bearing support load		GREY RAL 7042		BLUE RAL 5015		ORANGE RAL 2004		RED RAL 3000	
		Black	White	E	A	S	G	I	Z	U	T	C	CO	(N)	Closed	Open	Closed	Open	Closed	Open	Closed	Open		
35	UCFC 207	85668	85670	77,8	137	10,5	26	17	40,8	56	58	25500	15300	19550	80077	80078	80969	80275	82284	82285	87544	87545		

STAINLESS STEEL BEARING AISI 440													COVER CODES											
D	SERIE	Support CODES		DIMENSIONS (mm)									Bearing load (N)		Bearing support load		GREY RAL 7042		BLUE RAL 5015		ORANGE RAL 2004		RED RAL 3000	
		Black	White	E	A	S	G	I	Z	U	T	C	CO	(N)	Closed	Open	Closed	Open	Closed	Open	Closed	Open		
35	UCFC 207	85669	85671	77,8	137	10,5	26	17	40,8	56	58	16600	15300	19550	80077	80078	80969	80275	82284	82285	87544	87545		

GRUB SCREWS SHAFT LOCKING - FLANGE WITH CENTERING RING

CHROME STEEL BEARING													COVER CODES											
D	SERIE	Support CODES		DIMENSIONS (mm)									Bearing load (N)		Bearing support load		GREY RAL 7042		BLUE RAL 5015		ORANGE RAL 2004		RED RAL 3000	
		Black	White	E	A	S	G	I	Z	U	T	C	CO	(N)	Closed	Open	Closed	Open	Closed	Open	Closed	Open		
35	UCFC 207	86021	86023	77,8	137	10,5	26	17	40,8	56	58	25500	15300	19550	80077	80078	80969	80275	82284	82285	87544	87545		

STAINLESS STEEL BEARING AISI 440													COVER CODES											
D	SERIE	Support CODES		DIMENSIONS (mm)									Bearing load (N)		Bearing support load		GREY RAL 7042		BLUE RAL 5015		ORANGE RAL 2004		RED RAL 3000	
		Black	White	E	A	S	G	I	Z	U	T	C	CO	(N)	Closed	Open	Closed	Open	Closed	Open	Closed	Open		
35	UCFC 207	86022	86024	77,8	137	10,5	26	17	40,8	56	58	16600	15300	19550	80077	80078	80969	80275	82284	82285	87544	87545		

ECCENTRIC COLLAR SHAFT LOCKING - FLANGE WITHOUT CENTERING RING

CHROME STEEL BEARING													COVER CODES					
D	SERIE	Support CODES		DIMENSIONS (mm)									Bearing load (N)		Bearing support load		GREY RAL 7042	
		Black	White	E	A	S	G	I	Z	U	T	C	CO	(N)	Closed	Open		
35	UCFC 207	88710	88711	77,8	137	10,5	26	17	46,7	60,8	63,3	25500	15300	19550	88377	88378		

NEW

ECCENTRIC COLLAR SHAFT LOCKING - FLANGE WITH CENTERING RING





CHROME STEEL BEARING													COVER CODES					
D	SERIE	Support CODES		DIMENSIONS (mm)									Bearing load (N)		Bearing support load		GREY RAL 7042	
		Black	White	E	A	S	G	I	Z	U	T	C	CO	(N)	Closed	Open		
35	UCFC 207	88712	88713	77,8	137	10,5	26	17	46,7	60,8	63,3	25500	15300	19550	88377	88378		

NEW





Supporting and levelling components

Part.	Pag.	Part.	Pag.
1	237	97	262
2	238	98	259
3	237	99	263
4	238	101	267
10	242	103	274
15	243	104	256
18 pa	239	107	266
18	244	108	273
25 pa	240	109	270
25	246	110	277
27 pa	239	111	269
27	245	112	276
38 pa	240	113	265
38	247	114	272
45	248	115	264
64 mm	280	116	286
64 inches	282	117	286
68 mm	283	118	241
68 inches	285	119	275
79	251	120	268
81	257	121	286
82	279	122	250
87	252	123	257
89	253	124	255
92	249	125	271
93	254	126	278
94	260	127	256
95	261	128	256
96	258		

Fixed feet

<p>wrench 25</p>  <p>Part. 1 pag. 237</p>	<p>Ø 40</p>  <p>Part. 3 pag. 237</p>	<p>Ø 25</p>  <p>Part. 2 pag. 238</p>	<p>Ø 40</p>  <p>Part. 4 pag. 238</p>
--	---	--	---

PA articulated feet

<p>Ø 60</p>  <p>Part. 18 pa pag. 239</p>	<p>60x95</p>  <p>Part. 27 pa pag. 239</p>	<p>Ø 80</p>  <p>Part. 25 pa pag. 240</p>	<p>Ø 102</p>  <p>Part. 38 pa pag. 240</p>
---	--	--	--

Articulated feet

<p>Ø 30</p>  <p>Part. 118 pag. 241</p>	<p>Ø 40</p>  <p>Part. 10 pag. 242</p>	<p>Ø 50</p>  <p>Part. 15 pag. 243</p>	<p>Ø 60</p>  <p>Part. 18 pag. 244</p>
<p>60x95</p>  <p>Part. 27 pag. 245</p>	<p>Ø 80</p>  <p>Part. 25 pag. 246</p>	<p>Ø 102</p>  <p>Part. 38 pag. 247</p>	<p>Ø 124</p>  <p>Part. 45 pag. 248</p>
<p>Ø 122</p>  <p>Part. 92 pag. 249</p>	<p>Ø 150</p>  <p>Part. 122 pag. 250</p>		








Adjustable feet

 Part. 79 pag. 251	 Part. 87 pag. 252	 Part. 89 pag. 253	 Part. 93 pag. 254	 Part. 124 pag. 255
 Part. 81 pag. 257	 Part. 123 pag. 257	 Part. 96 pag. 258	 Part. 98 pag. 259	 Part. 94 pag. 260
 Part. 95 pag. 261	 Part. 97 pag. 262	 Part. 99 pag. 263		

Accessories for supporting and levelling components

 Part. 104 pag. 256	 Part. 127 pag. 256	 Part. 128 pag. 256
---	---	--









Articulated feet, sanitizable

 Part. 113 pag. 265	 Part. 107 pag. 266	 Part. 101 pag. 267	 Part. 120 pag. 268
 Part. 111 pag. 269	 Part. 109 pag. 270	 Part. 125 pag. 271	

Adjustable feet, sanitizable

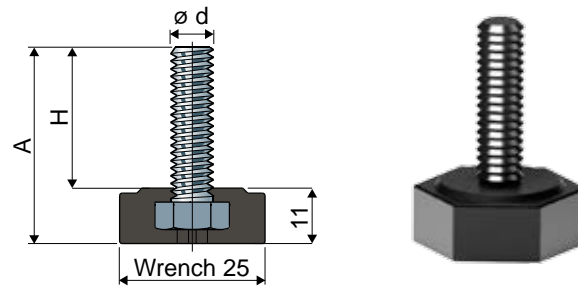
 <p>Ø 78</p> <p>Part. 115 pag. 264</p>	<p>New</p>  <p>Ø 55</p> <p>Part. 114 pag. 272</p>	<p>New</p>  <p>Ø 55</p> <p>Part. 114 pag. 272</p>	<p>New</p>  <p>Ø 75</p> <p>Part. 108 pag. 273</p>
<p>New</p>  <p>Ø 75</p> <p>Part. 108 pag. 273</p>	<p>New</p>  <p>Ø 95</p> <p>Part. 103 pag. 274</p>	<p>New</p>  <p>Ø 95</p> <p>Part. 103 pag. 274</p>	<p>New</p>  <p>65x96</p> <p>Part. 119 pag. 275</p>
<p>New</p>  <p>65x96</p> <p>Part. 119 pag. 275</p>	<p>New</p>  <p>95x130</p> <p>Part. 112 pag. 276</p>	<p>New</p>  <p>95x130</p> <p>Part. 112 pag. 276</p>	<p>New</p>  <p>Ø 120</p> <p>Part. 110 pag. 277</p>
<p>New</p>  <p>Ø 120</p> <p>Part. 110 pag. 277</p>	<p>New</p>  <p>Ø 150</p> <p>Part. 126 pag. 278</p>	<p>New</p>  <p>Ø 150</p> <p>Part. 126 pag. 278</p>	

Bushings

 <p>Part. 82 pag. 279</p>	<p>sizes in mm</p>  <p>Part. 64 pag. 280</p>	<p>sizes in inches</p>  <p>Part. 64 pag. 282</p>	<p>sizes in mm</p>  <p>Part. 68 pag. 283</p>
<p>sizes in inches</p>  <p>Part. 68 pag. 285</p>	 <p>Part. 116 pag. 286</p>	 <p>Part. 117 pag. 286</p>	 <p>Part. 121 pag. 286</p>

Fixed feet

(co-moulded)

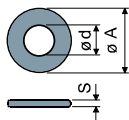
wrench **25** Part. **1**

Spindle measures in mm			Spindle in zinc plated steel	Max static load
$\varnothing d$	A	H	Code	(N)
M8x1,25	38	27	1 / 82880	6000

Base material: Reinforced polyamide black colour.

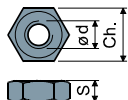
Box quantity: 24 pieces.

Washers UNI 6592-69 - Box quantity: 24 pieces.



$\varnothing M$	M8
Smm	1,6
$\varnothing A$ mm	17
Zinc plated steel codes	7636

Nuts UNI 5588-65 - Box quantity: 24 pieces.

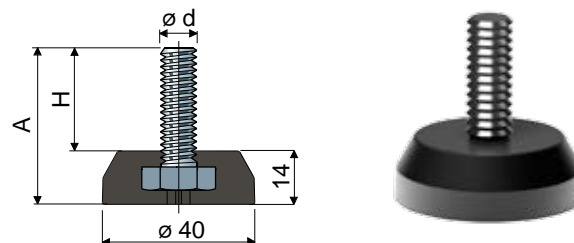


$\varnothing d$	M8
Smm	6,5
Ch. mm	13
Zinc plated steel codes	7634

On request

- Bases: In reinforced polypropylene (maximum static load is reduced to 1/3 compared to that with polyamide base) • other colours.
- Rod: In stainless steel AISI 304.
- Box quantity: Not standard.

$\varnothing 40$ Part. **3**

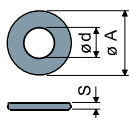


Spindle measures in mm			Spindle in zinc plated steel	Max static load
$\varnothing d$	A	H	Code	(N)
M10x1,5	40	26	3 / 82886	7000

Base material: Reinforced polyamide black colour.

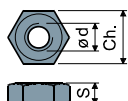
Box quantity: 24 pieces.

Washers UNI 6592-69 - Box quantity: 24 pieces.



$\varnothing M$	M10
Smm	2
$\varnothing A$ mm	21
Zinc plated steel codes	7283

Nuts UNI 5588-65 - Box quantity: 24 pieces.



$\varnothing d$	M10
Smm	8
Ch. mm	17
Zinc plated steel codes	7269

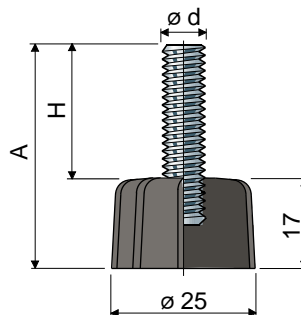
On request

- Bases: In reinforced polypropylene (maximum static load is reduced to 1/3 compared to that with polyamide base) • other colours.
- Rod: In stainless steel AISI 304.
- Box quantity: Not standard.

Fixed feet

(base in reinforced polyamide)

Part. 2 $\varnothing 25$

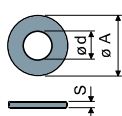


Spindle measures in mm			Spindle material		Max static load (N)
$\varnothing d$	A	H	Zinc plated steel Code	Stainless steel AISI 304 Code	
M8x1,25	40	23	2 / 7702	2 / 7703	4000
	50	33	2 / 7706	2 / 7707	
M10x1,5	40	23	2 / 7712	2 / 7713	5000
	50	33	2 / 7716	2 / 7717	
M12x1,75	75	58	2 / 80156	2 / 80157	6000

Base material: Reinforced polyamide black colour.

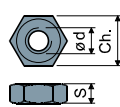
Box quantity: 24 pieces.

Washers UNI 6592-69 - Box quantity: 24 pieces.



$\varnothing M$	M8	M10	M12
Smm	1,6	2	2,5
$\varnothing A$ mm	17	21	24
Zinc plated steel codes	7636	7283	7284
Stainless steel codes	7637	7286	7287

Nuts UNI 5588-65 - Box quantity: 24 pieces.

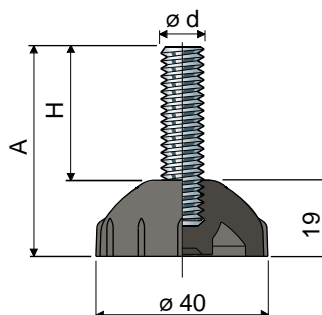


$\varnothing d$	M8	M10	M12
Smm	6,5	8	10
Ch. mm	13	17	19
Zinc plated steel codes	7634	7269	7270
Stainless steel codes	7635	7272	7273

On request

- Bases: In reinforced polypropylene (maximum static load is reduced to 1/3 compared to that with polyamide base) • other colours.
- Box quantity: Not standard.
- Assembling of: Nuts • washers.

Part. 4 $\varnothing 40$



Spindle measures in mm			Spindle material		Max static load (N)
$\varnothing d$	A	H	Zinc plated steel Code	Stainless steel AISI 304 Code	
M8x1,25	40	21	4 / 7722	4 / 7723	4000
	50	31	4 / 7726	4 / 7727	
M10x1,5	40	21	4 / 7732	4 / 7733	5000
	50	31	4 / 7736	4 / 7737	
M12x1,75	75	56	4 / 80158	4 / 80159	6000

Base material: Reinforced polyamide black colour.

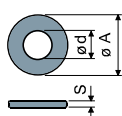
Box quantity: 24 pieces.

Accessories

Anti-slip pads:

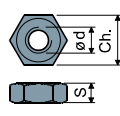
- code: 7263;
- material: thermoplastic rubber 68 Shore black colour;
- box quantity: 24 pieces.

Washers UNI 6592-69 - Box quantity: 24 pieces.



$\varnothing M$	M8	M10	M12
Smm	1,6	2	2,5
$\varnothing A$ mm	17	21	24
Zinc plated steel codes	7636	7283	7284
Stainless steel codes	7637	7286	7287

Nuts UNI 5588-65 - Box quantity: 24 pieces.



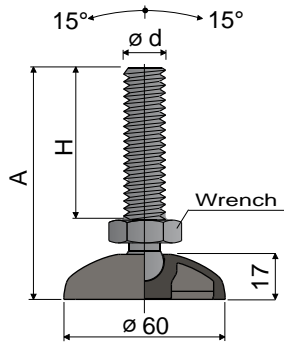
$\varnothing d$	M8	M10	M12
Smm	6,5	8	10
Ch. mm	13	17	19
Zinc plated steel codes	7634	7269	7270
Stainless steel codes	7635	7272	7273

On request

- Bases: In reinforced polypropylene (maximum static load is reduced to 1/3 compared to that with polyamide base) • other colours.
- Box quantity: Not standard.
- Assembling of: Anti-slip pads • nuts • washers.

PA articulated feet

(in reinforced polyamide)



Ø 60 Part. 18

Spindle measures in mm				Spindle and base in reinforced polyamide Code	Max static load (N)
ø d	A	H	Wrench		
M16x2	101	67	24	18 / 7627	7000
M20x2,5	174	140	24	18 / 80160	7500

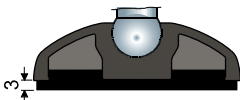
Spindle and base material: Reinforced polyamide black colour.

Box quantity: 24 pieces.

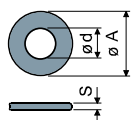
Accessories

Anti-slip pads:

- code: 7265;
- material: thermoplastic rubber 68 Shore black colour;
- box quantity: 24 pieces.

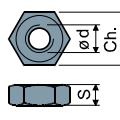


Washers UNI 6592-69 - Box quantity: 24 pieces.



ø M	M16	M20
Smm	3	3
ø A mm	30	37
Zinc plated steel codes	7289	7290
Stainless steel codes	7291	7292

Nuts UNI 5588-65 - Box quantity: 24 pieces.

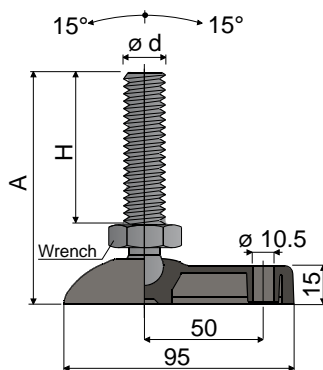


ø d	M16	M20
Smm	13	16
Ch. mm	24	30
Zinc plated steel codes	7275	7276
Stainless steel codes	7277	7278

On request

- Bases: In reinforced polypropylene (maximum static load is reduced to 1/3 compared to that with polyamide base) • other colours.
- Box quantity: Not standard.
- Assembling of: Anti-slip pads • nuts • washers.

60X95 Part. 27



Spindle measures in mm				Spindle and base in reinforced polyamide Code	Max static load (N)
ø d	A	H	Wrench		
M16x2	101	67	24	27 / 7628	7000
M20x2,5	174	140	24	27 / 80161	7500

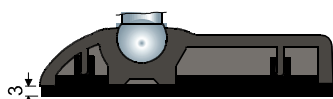
Spindle and base material: Reinforced polyamide black colour.

Box quantity: 24 pieces.

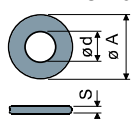
Accessories

Anti-slip pads:

- code: 7632;
- material: thermoplastic rubber 68 Shore black colour;
- box quantity: 24 pieces.

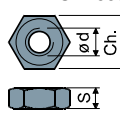


Washers UNI 6592-69 - Box quantity: 24 pieces.



ø M	M16	M20
Smm	3	3
ø A mm	30	37
Zinc plated steel codes	7289	7290
Stainless steel codes	7291	7292

Nuts UNI 5588-65 - Box quantity: 24 pieces.



ø d	M16	M20
Smm	13	16
Ch. mm	24	30
Zinc plated steel codes	7275	7276
Stainless steel codes	7277	7278

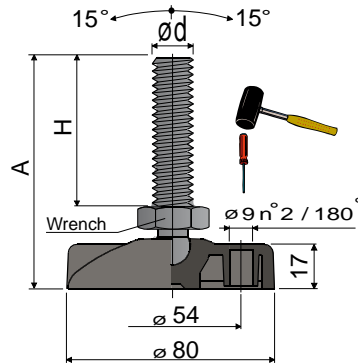
On request

- Bases: In reinforced polypropylene (maximum static load is reduced to 1/3 compared to that with polyamide base) • other colours.
- Box quantity: Not standard.
- Assembling of: Anti-slip pads • nuts • washers.

PA articulated feet

(in reinforced polyamide)

Part. **25** \varnothing **80**



Spindle measures in mm			Wrench	Spindle and base in reinforced polyamide Code	Max static load (N)
$\varnothing d$	A	H			
M16x2	104	67	24	25 / 7629	7000
M20x2,5	177	140	24	25 / 80162	7500

Spindle and base material: Reinforced polyamide black colour.

Box quantity: 24 pieces.

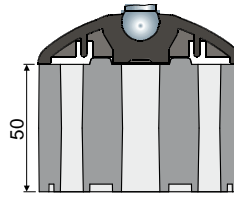
Accessories

Anti-slip pads:

- code: 7266;
- material: thermoplastic rubber 68 Shore black colour;
- box quantity: 24 pieces.

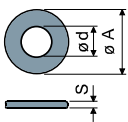
Spacers:

- code: 86797 (see pag. 256);
- material: Reinforced polyamide black colour;
- box quantity: 8 pieces.

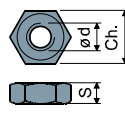


Washers UNI 6592-69 - Box quantity: 24 pieces.

Nuts UNI 5588-65 - Box quantity: 24 pieces.



$\varnothing M$	M16	M20
Smm	3	3
$\varnothing A$ mm	30	37
Zinc plated steel codes	7289	7290
Stainless steel codes	7291	7292

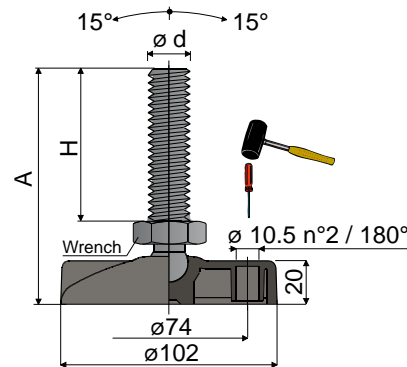


$\varnothing d$	M16	M20
Smm	13	16
Ch. mm	24	30
Zinc plated steel codes	7275	7276
Stainless steel codes	7277	7278

On request

- Bases: In reinforced polypropylene (maximum static load is reduced to 1/3 compared to that with polyamide base) • other colours.
- Box quantity: Not standard.
- Assembling of: Anti-slip pads • nuts • washers.

Part. **38** \varnothing **102**



Spindle measures in mm			Wrench	Spindle and base in reinforced polyamide Code	Max static load (N)
$\varnothing d$	A	H			
M16x2	107	67	24	38 / 7630	7000
M20x2,5	180	140	24	38 / 80155	7500

Spindle and base material: Reinforced polyamide black colour.

Box quantity: 24 pieces.

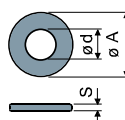
Accessories

Anti-slip pads:

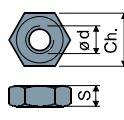
- code: 7267;
- material: thermoplastic rubber 68 Shore black colour;
- box quantity: 24 pieces.

Washers UNI 6592-69 - Box quantity: 24 pieces.

Nuts UNI 5588-65 - Box quantity: 24 pieces.



$\varnothing M$	M16	M20
Smm	3	3
$\varnothing A$ mm	30	37
Zinc plated steel codes	7289	7290
Stainless steel codes	7291	7292



$\varnothing d$	M16	M20
Smm	13	16
Ch. mm	24	30
Zinc plated steel codes	7275	7276
Stainless steel codes	7277	7278

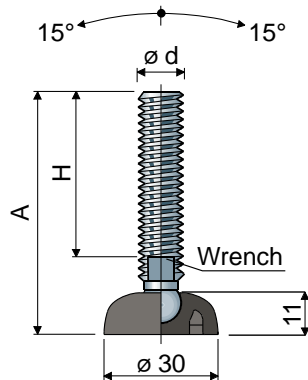
On request

- Bases: In reinforced polypropylene (maximum static load is reduced to 1/3 compared to that with polyamide base) • other colours.
- Box quantity: Not standard.
- Assembling of: Anti-slip pads • nuts • washers.

Articulated feet

(base in reinforced polyamide)

Ø 30 Part. 118



Spindle measures in mm				Spindle material			
Ød	A	H	Wrench	Zinc plated steel	Stainless steel AISI 304	Stainless steel AISI 316	Max static load (N)
				Code	Code	Code	
M8x1,25	65	45	6	118 / 84270	118 / 84271	-	9000
	85	65	6	118 / 84272	118 / 84273	-	
M10x1,5	57	35	8	118 / 84274	118 / 84275	-	10000
	92	70	8	118 / 84276	118 / 84277	-	
	137	115	8	118 / 84278	118 / 84279	-	
M12x1,75	67	43	10	118 / 84280	118 / 84281	-	11000
	87	63	10	118 / 84282	118 / 84283	-	
	102	77	10	118 / 84284	118 / 84285	-	
	117	93	10	118 / 84286	118 / 84287	118 / 85116	
	147	123	10	118 / 84288	118 / 84289	-	

Spindle measures in inches				Spindle material		
Ød	A	H	Wrench	Zinc plated steel	Stainless steel AISI 304	Max static load (N)
				Code	Code	
1/2"-13 UNC	5,08"	4"	7/16"	118 / 85170	118 / 85140	11000

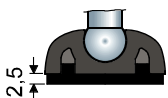
Base material: Reinforced polyamide black colour.

Box quantity: 24 pieces.

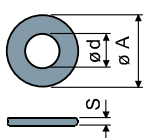
Accessories

Anti-slip pads:

- code: 84290;
- material: thermoplastic rubber 68 Shore black colour;
- box quantity: 24 pieces.

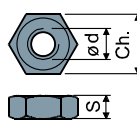


Washers UNI 6592-69 - Box quantity: 24 pieces.



Ø M	M8	M10	M12
Smm	1,6	2	2,5
Ø A mm	17	21	24
Zinc plated steel codes	7636	7283	7284
Stainless steel codes	7637	7286	7287

Nuts UNI 5588-65 - Box quantity: 24 pieces.



Ø d	M8	M10	M12
Smm	6,5	8	10
Ch. mm	13	17	19
Zinc plated steel codes	7634	7269	7270
Stainless steel codes	7635	7272	7273

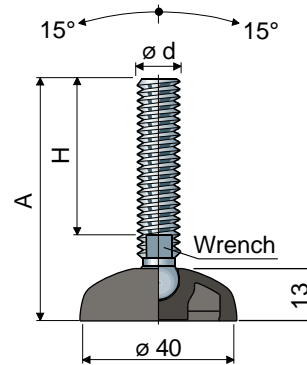
On request

- Bases: In reinforced polypropylene (maximum static load is reduced to 1/3 compared to that with polyamide base) • other colours.
- Spindles with: Sunk hexagon head • second wrench seat head • hexagon wrench seat • threads with other pitches and lengths.
- Box quantity: Not standard.
- Assembling of: Anti-slip pads • nuts • washers.

Articulated feet

(base in reinforced polyamide)

Part. **10** \varnothing **40**



Spindle measures in mm				Spindle material			Max static load (N)
ø d	A	H	Wrench	Zinc plated steel Code	Stainless steel AISI 304 Code	Stainless steel AISI 316 Code	
M8x1,25	68	45	6	10 / 7390	10 / 7391	-	10000
	88	65	6	10 / 7392	10 / 7393	-	
	130	107	6	10 / 7894	10 / 7895	-	
M10x1,5	60	35	8	10 / 7000	10 / 7001	-	11000
	95	70	8	10 / 7002	10 / 7003	-	
	140	115	8	10 / 7004	10 / 7005	-	
M12x1,75	70	43	10	10 / 7006	10 / 7007	-	12000
	90	63	10	10 / 7008	10 / 7009	-	
	105	77	10	10 / 7394	10 / 7395	-	
	120	93	10	10 / 7010	10 / 7011	10 / 85117	
	150	123	10	10 / 7012	10 / 7013	-	
M14x2	90	61	12	10 / 7014	10 / 7015	-	13000
	120	91	12	10 / 7016	10 / 7017	-	
	145	116	12	10 / 7690	10 / 7691	-	
	194	165	12	10 / 86786	10 / 85853	-	
	92	60	13	10 / 86750	10 / 86751	-	
M16x2	122	90	13	10 / 86752	10 / 86753	-	16000
	137	105	13	10 / 86754	10 / 86755	-	
	157	125	13	10 / 86756	10 / 86757	-	
	187	155	13	10 / 86758	10 / 86759	-	
	197	165	13	10 / 86760	10 / 86761	-	
	237	205	13	10 / 86762	10 / 86763	-	

Spindle measures in inches				Spindle material		Max static load (N)
ø d	A	H	Wrench	Zinc plated steel Code	Stainless steel AISI 304 Code	
1/2"-13 UNC	5,08"	4"	7/16"	10 / 83266	10 / 83267	12000
5/8"-11 UNC	8,25"	7"	1/2"	10 / 86778	10 / 86779	14000
3/4"-10 UNC	8,34"	7"	5/8"	10 / 86780	10 / 86781	16000

Base material: Reinforced polyamide black colour.

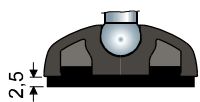
Box quantity: 24 pieces.

Accessories

Anti-slip pads:

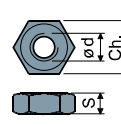
- code: 7263;
- material: thermoplastic rubber 68 Shore black colour;
- box quantity: 24 pieces.

Washers UNI 6592-69 - Box quantity: 24 pieces.



ø M	M8	M10	M12	M14	M16
Smm	1,6	2	2,5	2,5	3
ø A mm	17	21	24	28	30
Zinc plated steel codes	7636	7283	7284	7285	7289
Stainless steel codes	7637	7286	7287	7288	7291

Nuts UNI 5588-65 - Box quantity: 24 pieces.



ø d	M8	M10	M12	M14	M16
Smm	6,5	8	10	11	13
Ch. mm	13	17	19	22	24
Zinc plated steel codes	7634	7269	7270	7271	7275
Stainless steel codes	7635	7272	7273	7274	7277

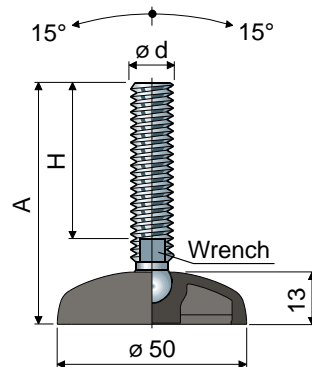
On request

- Bases: In reinforced polypropylene (maximum static load is reduced to 1/3 compared to that with polyamide base) • other colours.
- Spindles with: Sunk hexagon head • second wrench seat head • hexagon wrench seat • threads with other pitches and lengths.
- Box quantity: Not standard.
- Assembling of: Anti-slip pads • nuts • washers.

Articulated feet

(base in reinforced polyamide)

Ø 50 Part. 15



Spindle measures in mm				Spindle material			Max static load (N)
ød	A	H	Wrench	Zinc plated steel Code	Stainless steel AISI 304 Code	Stainless steel AISI 316 Code	
M8x1,25	68	45	6	15 / 7396	15 / 7397	-	11000
	88	65	6	15 / 7398	15 / 7399	-	
	130	107	6	15 / 7896	15 / 7897	-	
M10x1,5	60	35	8	15 / 7018	15 / 7019	-	12000
	95	70	8	15 / 7020	15 / 7021	-	
	140	115	8	15 / 7022	15 / 7023	-	
M12x1,75	70	43	10	15 / 7024	15 / 7025	-	13000
	90	63	10	15 / 7026	15 / 7027	-	
	105	77	10	15 / 7400	15 / 7401	-	
	120	93	10	15 / 7028	15 / 7029	15 / 85118	
	150	123	10	15 / 7030	15 / 7031	-	
M14x2	90	61	12	15 / 7032	15 / 7033	-	14000
	120	91	12	15 / 7034	15 / 7035	-	
	145	116	12	15 / 7886	15 / 7887	-	
	195	165	12	15 / 83866	15 / 86787	-	
M16x2	92	60	13	15 / 86764	15 / 86765	-	16000
	122	90	13	15 / 86766	15 / 86767	-	
	137	105	13	15 / 86768	15 / 86769	-	
	157	125	13	15 / 86770	15 / 86771	-	
	187	155	13	15 / 86772	15 / 86773	-	
	197	165	13	15 / 86774	15 / 86775	-	
	237	205	13	15 / 86776	15 / 86777	-	

Spindle measures in inches				Spindle material		Max static load (N)
ød	A	H	Wrench	Zinc plated steel Code	Stainless steel AISI 304 Code	
1/2"-13 UNC	5,10"	4"	7/16"	15 / 83268	15 / 83269	12000
5/8"-11 UNC	8,25"	7"	1/2"	15 / 86782	15 / 86783	14000
3/4"-10 UNC	8,34"	7"	5/8"	15 / 86784	15 / 86785	16000

Base material: Reinforced polyamide black colour.

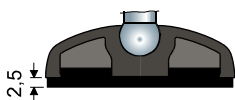
Box quantity: 24 pieces.

Accessories

Anti-slip pads:

- code: 7264;
- material: thermoplastic rubber 68 Shore black colour;
- box quantity: 24 pieces.

Washers UNI 6592-69 - Box quantity: 24 pieces.



ø M	M8	M10	M12	M14	M16
Smm	1,6	2	2,5	2,5	3
ø A mm	17	21	24	28	30
Zinc plated steel codes	7636	7283	7284	7285	7289
Stainless steel codes	7637	7286	7287	7288	7291

Nuts UNI 5588-65 - Box quantity: 24 pieces.

ø d	M8	M10	M12	M14	M16
Smm	6,5	8	10	11	13
Ch. mm	13	17	19	22	24
Zinc plated steel codes	7634	7269	7270	7271	7275
Stainless steel codes	7635	7272	7273	7274	7277

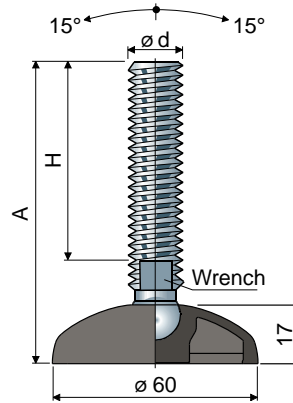
On request

- Bases: In reinforced polypropylene (maximum static load is reduced to 1/3 compared to that with polyamide base) • other colours.
- Spindles with: Sunk hexagon head • second wrench seat head • hexagon wrench seat • threads with other pitches and lengths.
- Box quantity: Not standard.
- Assembling of: Anti-slip pads • nuts • washers.

Articulated feet

(base in reinforced polyamide)

Part. **18** \varnothing **60**



Spindle measures in mm				Spindle material			Max static load (N)
$\varnothing d$	A	H	Wrench	Zinc plated steel Code	Stainless steel AISI 304 Code	Stainless steel AISI 316 Code	
M8x1,25	72	45	6	18 / 7402	18 / 7403	-	12000
	92	65	6	18 / 7404	18 / 7405	-	
	134	107	6	18 / 7898	18 / 7899	-	
M10x1,5	64	35	8	18 / 7036	18 / 7037	-	13000
	99	70	8	18 / 7038	18 / 7039	-	
	144	115	8	18 / 7040	18 / 7041	-	
M12x1,75	74	43	10	18 / 7042	18 / 7043	-	14000
	94	63	10	18 / 7044	18 / 7045	-	
	109	77	10	18 / 7406	18 / 7407	-	
	124	93	10	18 / 7046	18 / 7047	18 / 85119	
M14x2	94	61	12	18 / 7050	18 / 7051	-	15000
	124	91	12	18 / 7052	18 / 7053	-	
	149	116	12	18 / 7888	18 / 7889	-	
	198	165	12	18 / 86794	18 / 86795	-	
M16x2	95	60	13	18 / 7054	18 / 7055	18 / 85120	17000
	125	90	13	18 / 7408	18 / 7409	-	
	140	105	13	18 / 7056	18 / 7057	-	
	160	125	13	18 / 7058	18 / 7059	18 / 85121	
	190	155	13	18 / 7410	18 / 7411	-	
	200	165	13	18 / 7060	18 / 7061	-	
M20x2,5	240	205	13	18 / 83156	18 / 83157	-	19000
	125	86	17	18 / 7062	18 / 7063	-	
	155	116	17	18 / 7064	18 / 7065	-	
	180	141	17	18 / 7066	18 / 7067	18 / 85122	
	237	198	17	18 / 7068	18 / 7069	-	

Spindle measures in inches				Spindle material			Max static load (N)
$\varnothing d$	A	H	Wrench	Zinc plated steel Code	Stainless steel AISI 304 Code	Stainless steel AISI 316 Code	
1/2"-13 UNC	5,24"	4"	7/16"	18 / 83270	18 / 83271	-	14000
5/8"-11 UNC	8,36"	7"	1/2"	18 / 83272	18 / 83273	-	17000
3/4"-10 UNC	8,43"	7"	5/8"	18 / 83274	18 / 83275	-	19000

Base material: Reinforced polyamide black colour.

Box quantity: 24 pieces.

Accessories

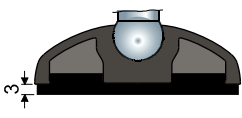
Anti-slip pads:

- code: 7265;

- material: thermoplastic rubber 68 Shore black colour;

- box quantity: 24 pieces.

Washers UNI 6592-69 - Box quantity: 24 pieces.



	M8	M10	M12	M14	M16	M20
$\varnothing M$	M8	M10	M12	M14	M16	M20
Smm	1,6	2	2,5	2,5	3	3
$\varnothing A$ mm	17	21	24	28	30	37
Zinc plated steel codes	7636	7283	7284	7285	7289	7290
Stainless steel codes	7637	7286	7287	7288	7291	7292

Nuts UNI 5588-65 - Box quantity: 24 pieces.

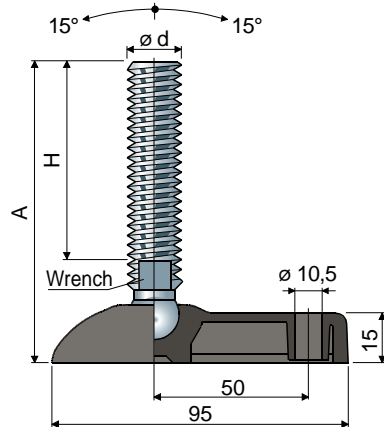
	M8	M10	M12	M14	M16	M20
$\varnothing d$	M8	M10	M12	M14	M16	M20
Smm	6,5	8	10	11	13	16
Ch. mm	13	17	19	22	24	30
Zinc plated steel codes	7634	7269	7270	7271	7275	7276
Stainless steel codes	7635	7272	7273	7274	7277	7278

On request

- Bases: In reinforced polypropylene (maximum static load is reduced to 1/3 compared to that with polyamide base) • other colours.
- Spindles with: Sunk hexagon head • second wrench seat head • hexagon wrench seat • threads with other pitches and lengths.
- Box quantity: Not standard.
- Assembling of: Anti-slip pads • nuts • washers.

Articulated feet

(base in reinforced polyamide)



60X95 Part. 27

Spindle measures in mm				Spindle material			Max static load (N)
$\varnothing d$	A	H	Wrench	Zinc plated steel Code	Stainless steel AISI 304 Code	Stainless steel AISI 316 Code	
M8x1,25	72	45	6	27 / 7412	27 / 7413	-	12000
	92	65	6	27 / 7414	27 / 7415	-	
	134	107	6	27 / 7900	27 / 7901	-	
M10x1,5	64	35	8	27 / 7416	27 / 7417	-	13000
	99	70	8	27 / 7418	27 / 7419	-	
	144	115	8	27 / 7420	27 / 7421	-	
M12x1,75	74	43	10	27 / 7422	27 / 7423	-	14000
	94	63	10	27 / 7424	27 / 7425	-	
	109	77	10	27 / 7426	27 / 7427	-	
	124	93	10	27 / 7428	27 / 7429	27 / 85171	
	154	123	10	27 / 7430	27 / 7431	-	
M14x2	94	61	12	27 / 7432	27 / 7433	-	15000
	124	91	12	27 / 7434	27 / 7435	-	
	149	116	12	27 / 7890	27 / 7891	-	
	198	165	12	27 / 86788	27 / 86791	-	
M16x2	95	60	13	27 / 7436	27 / 7437	27 / 85172	17000
	125	90	13	27 / 7438	27 / 7439	-	
	140	105	13	27 / 7440	27 / 7441	-	
	160	125	13	27 / 7442	27 / 7443	27 / 85173	
	190	155	13	27 / 7444	27 / 7445	-	
	200	165	13	27 / 7446	27 / 7447	-	
M20x2,5	240	205	13	27 / 83158	27 / 83159	-	19000
	125	86	17	27 / 7448	27 / 7449	-	
	155	116	17	27 / 7450	27 / 7451	-	
	180	141	17	27 / 7452	27 / 7453	27 / 85174	
	237	198	17	27 / 7454	27 / 7455	-	

Spindle measures in inches				Spindle material			Max static load (N)
$\varnothing d$	A	H	Wrench	Zinc plated steel Code	Stainless steel AISI 304 Code	Stainless steel AISI 316 Code	
1/2"-13 UNC	5,24"	4"	7/16"	27 / 83276	27 / 83277	-	14000
5/8"-11 UNC	8,38"	7"	1/2"	27 / 83278	27 / 83279	-	17000
3/4"-10 UNC	8,47"	7"	5/8"	27 / 83280	27 / 83281	-	19000

Base material: Reinforced polyamide black colour.

Box quantity: 24 pieces.

Accessories

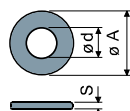
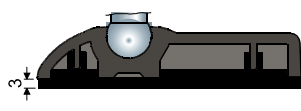
Anti-slip pads:

- code: 7632;

- material: thermoplastic rubber 68 Shore black colour;

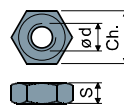
- box quantity: 24 pieces.

Washers UNI 6592-69 - Box quantity: 24 pieces.



$\varnothing M$	M8	M10	M12	M14	M16	M20
Smm	1,6	2	2,5	2,5	3	3
$\varnothing A$ mm	17	21	24	28	30	37
Zinc plated steel codes	7636	7283	7284	7285	7289	7290
Stainless steel codes	7637	7286	7287	7288	7291	7292

Nuts UNI 5588-65 - Box quantity: 24 pieces.



$\varnothing d$	M8	M10	M12	M14	M16	M20
Smm	6,5	8	10	11	13	16
Ch. mm	13	17	19	22	24	30
Zinc plated steel codes	7634	7269	7270	7271	7275	7276
Stainless steel codes	7635	7272	7273	7274	7277	7278

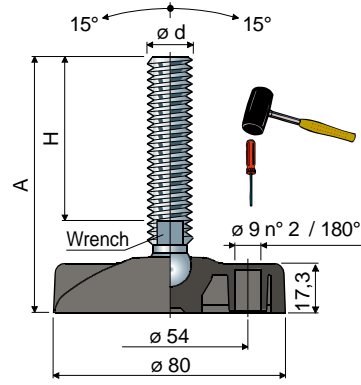
On request

- Bases: In reinforced polypropylene (maximum static load is reduced to 1/3 compared to that with polyamide base) • other colours.
- Spindles with: Sunk hexagon head • second wrench seat head • hexagon wrench seat • threads with other pitches and lengths.
- Box quantity: Not standard.
- Assembling of: Anti-slip pads • nuts • washers.

Articulated feet

(base in reinforced polyamide)

Part. **25** \varnothing **80**



Spindle measures in mm				Base colour						Max static load (N)
				BLACK			BLUE RAL 5005			
$\varnothing d$	A	H	Wrench	Spindle material			Spindle material			
				Zinc plated steel Code	Stainless steel AISI 304 Code	Stainless steel AISI 316 Code	Zinc plated steel Code	Stainless steel AISI 304 Code	Stainless steel AISI 316 Code	
M8x1,25	74	45	6	25 / 7456	25 / 7457	-	25 / 87782	25 / 87781	-	12000
	94	65	6	25 / 7458	25 / 7459	-	25 / 87784	25 / 87783	-	
	136	107	6	25 / 7902	25 / 7903	-	25 / 87786	25 / 87785	-	
M10x1,5	66	35	8	25 / 7070	25 / 7071	-	25 / 87788	25 / 87787	-	14000
	101	70	8	25 / 7072	25 / 7073	-	25 / 87790	25 / 87789	-	
	146	115	8	25 / 7074	25 / 7075	-	25 / 87792	25 / 87791	-	
M12x1,75	76	43	10	25 / 7076	25 / 7077	-	25 / 87794	25 / 87793	-	15000
	96	63	10	25 / 7078	25 / 7079	-	25 / 87796	25 / 87795	-	
	111	77	10	25 / 7460	25 / 7461	-	25 / 87798	25 / 87797	-	
	126	93	10	25 / 7080	25 / 7081	25 / 85123	25 / 87800	25 / 87799	25 / 87863	
M14x2	156	123	10	25 / 7082	25 / 7083	-	25 / 87802	25 / 87801	-	16000
	96	61	12	25 / 7084	25 / 7085	-	25 / 87804	25 / 87803	-	
	126	91	12	25 / 7086	25 / 7087	-	25 / 87806	25 / 87805	-	
	151	116	12	25 / 7892	25 / 7893	-	25 / 87808	25 / 87807	-	
M16x2	200	165	12	25 / 7950	25 / 86789	-	25 / 87810	25 / 87809	-	19000
	97	60	13	25 / 7088	25 / 7089	25 / 85124	25 / 87832	25 / 87831	25 / 87865	
	127	90	13	25 / 7462	25 / 7463	-	25 / 87834	25 / 87833	-	
	142	105	13	25 / 7090	25 / 7091	-	25 / 87836	25 / 87835	-	
	162	125	13	25 / 7092	25 / 7093	25 / 85125	25 / 87838	25 / 87837	25 / 87867	
	192	155	13	25 / 7464	25 / 7465	-	25 / 87840	25 / 87839	-	
M20x2,5	202	165	13	25 / 7094	25 / 7095	-	25 / 87842	25 / 87841	-	21000
	242	205	13	25 / 83160	25 / 83161	-	25 / 87844	25 / 87843	-	
	127	86	17	25 / 7096	25 / 7097	-	25 / 87846	25 / 87845	-	
	157	116	17	25 / 7098	25 / 7099	-	25 / 87848	25 / 87847	-	
M24x3	182	141	17	25 / 7100	25 / 7101	25 / 85126	25 / 87850	25 / 87849	25 / 87869	23000
	239	198	17	25 / 7102	25 / 7103	-	25 / 87852	25 / 87851	-	
	137	96	19	25 / 7466	25 / 7467	-	25 / 87854	25 / 87853	-	
	163	122	19	25 / 7104	25 / 7105	-	25 / 87856	25 / 87855	-	
	193	152	19	25 / 7106	25 / 7107	-	25 / 87858	25 / 87857	-	
341	300	19	25 / 7472	25 / 7473	-	25 / 87860	25 / 87859	-		

Spindle measures in inches				Base colour				Max static load (N)
				BLACK		BLUE RAL 5005		
$\varnothing d$	A	H	Wrench	Spindle material		Spindle material		
				Zinc plated steel Code	Stainless steel AISI 304 Code	Zinc plated steel Code	Stainless steel AISI 304 Code	
1/2" -13 UNC	5,20"	4"	7/16"	25 / 83282	25 / 83283	25 / 88066	25 / 88067	15000
5/8" -11 UNC	8,32"	7"	1/2"	25 / 83284	25 / 83285	25 / 88068	25 / 88069	19000
3/4" -10 UNC	8,41"	7"	5/8"	25 / 83286	25 / 83287	25 / 88070	25 / 88071	21000

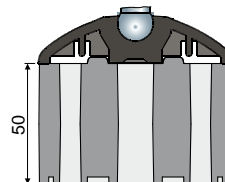
Base material: Reinforced polyamide black or blue Ral 5005 colour.

Box quantity: 24 pieces.

Accessories

Anti-slip pads:

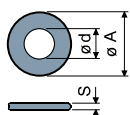
- code: 7266;
- material: thermoplastic rubber 68 Shore black colour;
- box quantity: 24 pieces.



Spacers:

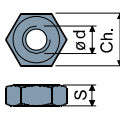
- code: 86797 (see pag. 256);
- material: Reinforced polyamide black colour;
- box quantity: 8 pieces.

Washers UNI 6592-69 - Box quantity: 24 pieces.



$\varnothing M$	M8	M10	M12	M14	M16	M20	M24
Smm	1,6	2	2,5	2,5	3	3	4
$\varnothing A$ mm	17	21	24	28	30	37	44
Zinc plated steel codes	7636	7283	7284	7285	7289	7290	7293
Stainless steel codes	7637	7286	7287	7288	7291	7292	7294

Nuts UNI 5588-65 - Box quantity: 24 pieces.



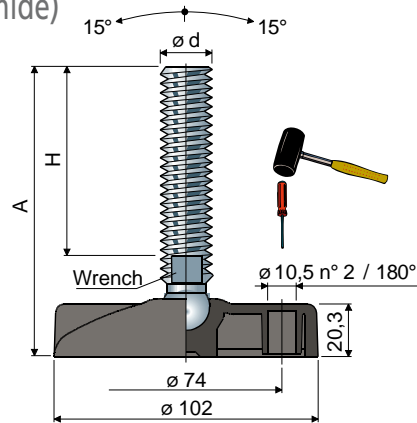
$\varnothing d$	M8	M10	M12	M14	M16	M20	M24
Smm	6,5	8	10	11	13	16	19
Ch. mm	13	17	19	22	24	30	36
Zinc plated steel codes	7634	7269	7270	7271	7275	7276	7279
Stainless steel codes	7635	7272	7273	7274	7277	7278	7280

On request

- Bases: In reinforced polypropylene (maximum static load is reduced to 1/3 compared to that with polyamide base) • other colours • with pre-bored fixing holes.
- Spindles with: Sunk hexagon head • second wrench seat head • hexagon wrench seat • threads with other pitches and lengths.
- Box quantity: Not standard.
- Assembling of: Anti-slip pads • nuts • washers.

Articulated feet

(base in reinforced polyamide)



Ø 102 Part. 38

Spindle measures in mm				Spindle material			Max static load (N)
ød	A	H	Wrench	Zinc plated steel Code	Stainless steel AISI 304 Code	Stainless steel AISI 316 Code	
M12x1,75	79	43	10	38 / 83166	38 / 83167	-	15000
	99	63	10	38 / 83168	38 / 83169	-	
	114	78	10	38 / 83170	38 / 83171	-	
	129	93	10	38 / 83172	38 / 83173	38 / 85127	
	159	123	10	38 / 83174	38 / 83175	-	
M14x2	99	61	12	38 / 83176	38 / 83177	-	18000
	129	91	12	38 / 83178	38 / 83179	-	
	154	116	12	38 / 83180	38 / 83181	-	
	203	165	12	38 / 86790	38 / 86093	-	
M16x2	100	60	13	38 / 7110	38 / 7111	38 / 85128	22000
	130	90	13	38 / 7474	38 / 7475	-	
	145	105	13	38 / 7112	38 / 7113	-	
	165	125	13	38 / 7114	38 / 7115	38 / 85129	
	195	155	13	38 / 7476	38 / 7477	-	
	205	165	13	38 / 7116	38 / 7117	-	
M20x2,5	130	86	17	38 / 7118	38 / 7119	-	24000
	160	116	17	38 / 7120	38 / 7121	-	
	185	141	17	38 / 7122	38 / 7123	38 / 85130	
	242	198	17	38 / 7124	38 / 7125	-	
M24x3	140	96	19	38 / 7478	38 / 7479	-	26000
	166	122	19	38 / 7126	38 / 7127	-	
	196	152	19	38 / 7128	38 / 7129	-	
	226	182	19	38 / 7130	38 / 7131	-	
	344	300	19	38 / 7484	38 / 7485	-	

Spindle measures in inches				Spindle material			Max static load (N)
ød	A	H	Wrench	Zinc plated steel Code	Stainless steel AISI 304 Code	Stainless steel AISI 316 Code	
1/2"-13 UNC	5,44"	4"	7/16"	38 / 83288	38 / 83289	-	15000
5/8"-11 UNC	8,57"	7"	1/2"	38 / 83290	38 / 83291	-	22000
3/4"-10 UNC	8,65"	7"	5/8"	38 / 83292	38 / 83293	-	24000

Base material: Reinforced polyamide black colour.

Box quantity: 24 pieces.

Accessories

Anti-slip pads:

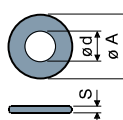
- code: 7267;

- material: thermoplastic rubber 68 Shore black colour;

- box quantity: 24 pieces.

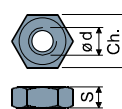


Washers UNI 6592-69 - Box quantity: 24 pieces.



ø M	M12	M14	M16	M20	M24
Smm	2,5	2,5	3	3	4
ø A mm	24	28	30	37	44
Zinc plated steel codes	7284	7285	7289	7290	7293
Stainless steel codes	7287	7288	7291	7292	7294

Nuts UNI 5588-65 - Box quantity: 24 pieces.



ø d	M12	M14	M16	M20	M24
Smm	10	11	13	16	19
Ch. mm	19	22	24	30	36
Zinc plated steel codes	7270	7271	7275	7276	7279
Stainless steel codes	7273	7274	7277	7278	7280

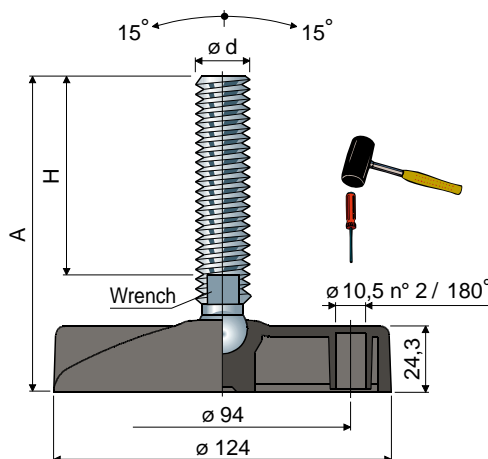
On request

- Bases: In reinforced polypropylene (maximum static load is reduced to 1/3 compared to that with polyamide base) • other colours • with pre-bored fixing holes.
- Spindles with: Sunk hexagon head • second wrench seat head • hexagon wrench seat • threads with other pitches and lengths.
- Box quantity: Not standard.
- Assembling of: Anti-slip pads • nuts • washers.

Articulated feet

(base in reinforced polyamide)

Part. **45** \varnothing **124**



Spindle measures in mm				Spindle material			Max static load (N)
$\varnothing d$	A	H	Wrench	Zinc plated steel Code	Stainless steel AISI 304 Code	Stainless steel AISI 316 Code	
M14x2	103	61	12	45 / 83184	45 / 83185	-	18000
	133	91	12	45 / 83186	45 / 83187	-	
	158	116	12	45 / 83188	45 / 83189	-	
	207	165	12	45 / 86792	45 / 86793	-	
M16x2	104	60	13	45 / 7132	45 / 7133	45 / 85131	25000
	134	90	13	45 / 7486	45 / 7487	-	
	149	105	13	45 / 7134	45 / 7135	-	
	169	125	13	45 / 7136	45 / 7137	45 / 85132	
	199	155	13	45 / 7488	45 / 7489	-	
	209	165	13	45 / 7138	45 / 7139	-	
	249	205	13	45 / 83162	45 / 83163	-	
M20x2,5	134	86	17	45 / 7140	45 / 7141	-	27000
	164	116	17	45 / 7142	45 / 7143	-	
	189	141	17	45 / 7144	45 / 7145	45 / 85133	
	246	198	17	45 / 7146	45 / 7147	-	
M24x3	144	96	19	45 / 7490	45 / 7491	-	29000
	170	122	19	45 / 7148	45 / 7149	-	
	200	152	19	45 / 7150	45 / 7151	-	
	230	182	19	45 / 7152	45 / 7153	-	
	348	300	19	45 / 7496	45 / 7497	-	

Spindle measures in inches				Spindle material			Max static load (N)
$\varnothing d$	A	H	Wrench	Zinc plated steel Code	Stainless steel AISI 304 Code		
5/8" - 11 UNC	8,75"	7"	1/2"	45 / 83294	45 / 83295	25000	
3/4" - 10 UNC	8,82"	7"	5/8"	45 / 83296	45 / 83297	27000	

Base material: Reinforced polyamide black colour.

Box quantity: 8 pieces.

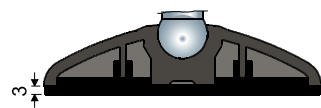
Accessories

Anti-slip pads:

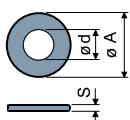
- code: 7268;

- material: thermoplastic rubber 68 Shore black colour;

- box quantity: 8 pieces.

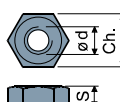


Washers UNI 6592-69 - Box quantity: 24 pieces.



$\varnothing M$	M14	M16	M20	M24
Smm	2,5	3	3	4
$\varnothing A$ mm	28	30	37	44
Zinc plated steel codes	7285	7289	7290	7293
Stainless steel codes	7288	7291	7292	7294

Nuts UNI 5588-65 - Box quantity: 24 pieces.



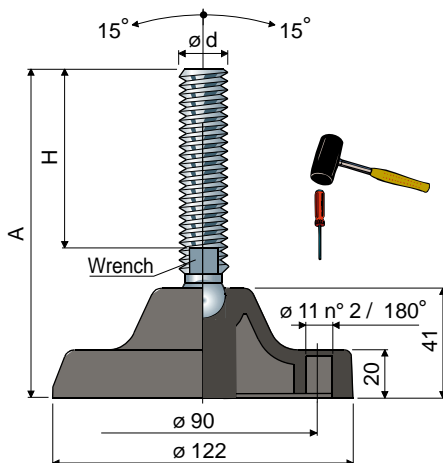
$\varnothing d$	M14	M16	M20	M24
Smm	11	13	16	19
Ch. mm	22	24	30	36
Zinc plated steel codes	7271	7275	7276	7279
Stainless steel codes	7274	7277	7278	7280

On request

- Bases: In reinforced polypropylene (maximum static load is reduced to 1/3 compared to that with polyamide base) • other colours • with pre-bored fixing holes.
- Spindles with: Sunk hexagon head • second wrench seat head • hexagon wrench seat • threads with other pitches and lengths.
- Box quantity: Not standard.
- Assembling of: Anti-slip pads • nuts • washers.

Articulated feet

(base in reinforced polyamide)



\varnothing 122 Part. 92

Spindle measures in mm				Spindle material			Max static load (N)
$\varnothing d$	A	H	Wrench	Zinc plated steel Code	Stainless steel AISI 304 Code	Stainless steel AISI 316 Code	
M16x2	118	60	13	92 / 7782	92 / 7783	92 / 85134	25000
	148	90	13	92 / 7784	92 / 7785	-	
	163	105	13	92 / 7786	92 / 7787	-	
	183	125	13	92 / 7788	92 / 7789	92 / 85135	
	213	155	13	92 / 7790	92 / 7791	-	
	223	165	13	92 / 7792	92 / 7793	-	
	263	205	13	92 / 83164	92 / 83165	-	
M20x2,5	147	86	17	92 / 7794	92 / 7795	-	27000
	177	116	17	92 / 7796	92 / 7797	-	
	202	141	17	92 / 7798	92 / 7799	92 / 85136	
	259	198	17	92 / 7800	92 / 7801	-	
M24x3	157	96	19	92 / 80702	92 / 80703	-	29000
	183	122	19	92 / 80704	92 / 80705	-	
	213	152	19	92 / 80706	92 / 80707	-	
	243	182	19	92 / 80708	92 / 80709	-	
	361	300	19	92 / 80710	92 / 80711	-	

Spindle measures in inches				Spindle material			Max static load (N)
$\varnothing d$	A	H	Wrench	Zinc plated steel Code	Stainless steel AISI 304 Code	Stainless steel AISI 316 Code	
5/8"-11 UNC	9,29"	7"	1/2"	92 / 83298	92 / 83299	-	25000
3/4"-10 UNC	9,37"	7"	5/8"	92 / 83300	92 / 83301	-	27000

Base material: Reinforced polyamide black colour.

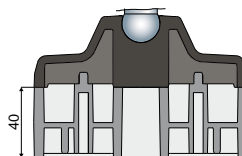
Box quantity: 8 pieces.



Accessories

Anti-slip pads:

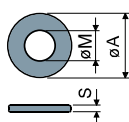
- code: 7633;
- material: thermoplastic rubber 68 Shore black colour;
- box quantity: 8 pieces.



Spacers:

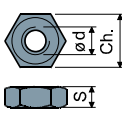
- code: 83410 (see pag. 256);
- material: Reinforced polyamide black colour;
- box quantity: 8 pieces.

Washers UNI 6592-69 - Box quantity: 24 pieces.



$\varnothing M$	M16	M20	M24
Smm	3	3	4
$\varnothing A$ mm	30	37	44
Zinc plated steel codes	7289	7290	7293
Stainless steel codes	7291	7292	7294

Nuts UNI 5588-65 - Box quantity: 24 pieces.



$\varnothing d$	M16	M20	M24
Smm	13	16	19
Ch. mm	24	30	36
Zinc plated steel codes	7275	7276	7279
Stainless steel codes	7277	7278	7280

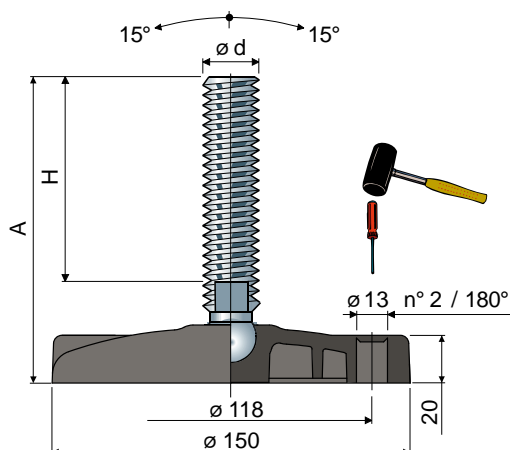
On request

- Bases: In reinforced polypropylene (maximum static load is reduced to 1/3 compared to that with polyamide base) • other colours • with pre-bored fixing holes.
- Spindles with: Sunk hexagon head • second wrench seat head • hexagon wrench seat • threads with other pitches and lengths.
- Box quantity: Not standard.
- Assembling of: Anti-slip pads • nuts • washers.

Articulated feet

(base in reinforced polyamide)

Part. **122** \varnothing **150**



Spindle measures in mm				Spindle material			
$\varnothing d$	A	H	Wrench	Zinc plated steel Code	Stainless steel AISI 304 Code	Stainless steel AISI 316 Code	Max static load (N)
M20x2,5	131	86	17	122 / 85736	122 / 85737	-	30000
	161	116	17	122 / 85738	122 / 85739	-	
	186	141	17	122 / 85740	122 / 85741	122 / 85765	
	243	198	17	122 / 85742	122 / 85743	-	
M24x3	141	96	19	122 / 85744	122 / 85745	-	32000
	167	122	19	122 / 85746	122 / 85747	-	
	197	152	19	122 / 85748	122 / 85749	-	
	227	182	19	122 / 85750	122 / 85751	-	
	345	300	19	122 / 85752	122 / 85753	-	
M30x3,5	189	144	24	122 / 85754	122 / 85755	-	33000

Base material: Reinforced polyamide black colour.

Box quantity: 8 pieces.

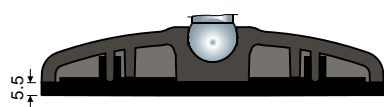
Accessories

Anti-slip pads:

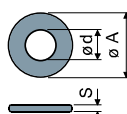
- code: 85780;

- material: thermoplastic rubber 68 Shore black colour;

- box quantity: 8 pieces.

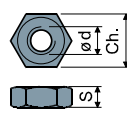


Washers UNI 6592-69 - Box quantity: 24 pieces.



$\varnothing M$	M20	M24	M30
Smm	3	4	4
$\varnothing A$ mm	37	44	56
Zinc plated steel codes	7290	7293	7295
Stainless steel codes	7292	7294	7296

Nuts UNI 5588-65 - Box quantity: 24 pieces.



$\varnothing d$	M20	M24	M30
Smm	16	19	24
Ch. mm	30	36	46
Zinc plated steel codes	7276	7279	7281
Stainless steel codes	7278	7280	7282

On request

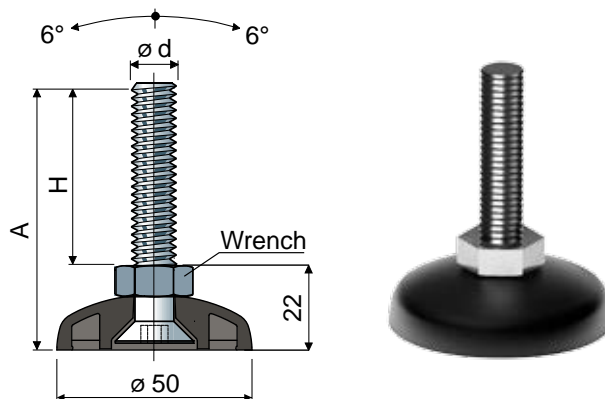
- Bases: In reinforced polypropylene (maximum static load is reduced to 1/3 compared to that with polyamide base) • other colours • with pre-bored fixing holes.
- Spindles with: Sunk hexagon head • second wrench seat head • hexagon wrench seat • threads with other pitches and lengths.
- Box quantity: Not standard.
- Assembling of: Anti-slip pads • nuts • washers.

Adjustable feet

(base in reinforced polyamide)

Ø 50

Part. **79**



Spindle measures in mm				Spindle material		
Ø d	A	H	Wrench	Zinc plated steel	Stainless steel AISI 304	Max static load (N)
				Code	Code	
M10x1,5	67	45	17	79 / 82074	79 / 82075	12000
	92	70	17	79 / 82076	79 / 82077	
	122	100	17	79 / 82078	79 / 82079	

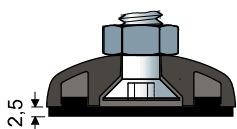
Base material: Reinforced polyamide black colour.

Box quantity: 24 pieces.

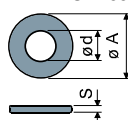
Accessories

Anti-slip pads:

- code: 7264;
- material: thermoplastic rubber 68 Shore black colour;
- box quantity: 24 pieces.

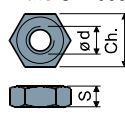


Washers UNI 6592-69 - Box quantity: 24 pieces.



Ø M	M10
S mm	2
Ø A mm	21
Zinc plated steel codes	7283
Stainless steel codes	7286

Nuts UNI 5588-65 - Box quantity: 24 pieces.



Ø d	M10
S mm	8
Ch. mm	17
Zinc plated steel codes	7269
Stainless steel codes	7272

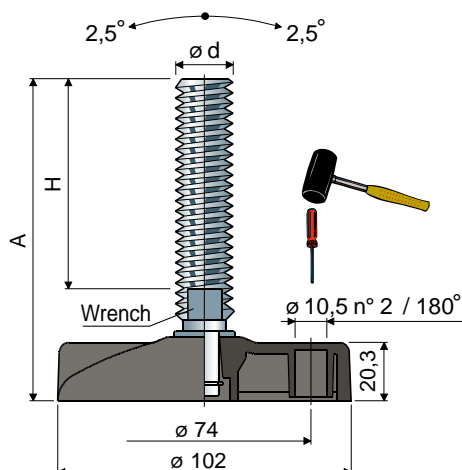
On request

- Bases: In reinforced polypropylene (maximum static load is reduced to 1/3 compared to that with polyamide base) • other colours.
- Spindles with: Threads with other pitches and lengths.
- Box quantity: Not standard.
- Assembling of: Anti-slip pads • nuts • washers.

Adjustable feet

(base in reinforced polyamide)

Part. **87** \varnothing **102**



Spindle measures in mm				Base colour						Max static load (N)
				BLACK			BLUE RAL 5005			
$\varnothing d$	A	H	Wrench	Spindle material			Spindle material			
				Zinc plated steel Code	Stainless steel AISI 304 Code	Stainless steel AISI 316 Code	Zinc plated steel Code	Stainless steel AISI 304 Code	Stainless steel AISI 316 Code	
M16x2	98	58	13	87 / 7498	87 / 7499	-	87 / 87870	87 / 87871	-	33000
	159	119	13	87 / 7904	87 / 7905	-	87 / 87872	87 / 87873	-	
	185	145	13	87 / 7154	87 / 7155	-	87 / 87874	87 / 87875	-	
	241	201	13	87 / 7156	87 / 7157	-	87 / 87876	87 / 87877	-	
M18x2,5	197	157	15	87 / 82134	87 / 82135	-	87 / 87878	87 / 87879	-	35000
	132	89	17	87 / 87316	87 / 87317	-	87 / 87880	87 / 87881	-	
M20x2,5	150	107	17	87 / 7158	87 / 7159	-	87 / 87882	87 / 87883	-	
	179	136	17	87 / 7500	87 / 7501	-	87 / 87884	87 / 87885	-	
	200	157	17	87 / 7160	87 / 7161	87 / 85137	87 / 87886	87 / 87887	87 / 87900	
	233	190	17	87 / 83214	87 / 83215	-	87 / 87888	87 / 87889	-	
281	238	17	87 / 83216	87 / 83217	-	87 / 87890	87 / 87891	-		
M24x3	136	90	19	87 / 7162	87 / 7163	-	87 / 87892	87 / 87893	-	37000
	173	127	19	87 / 7502	87 / 7503	-	87 / 87894	87 / 87895	-	
	208	162	19	87 / 7164	87 / 7165	-	87 / 87896	87 / 87897	-	
	248	202	19	87 / 83218	87 / 83219	-	87 / 87898	87 / 87899	-	

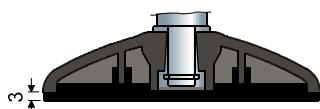
Base material: Reinforced polyamide black or blue Ral 5005 colour.

Box quantity: 24 pieces.

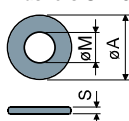
Accessories

Anti-slip pads:

- code: 7267;
- material: thermoplastic rubber 68 Shore black colour;
- box quantity: 24 pieces.

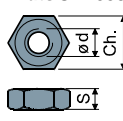


Washers UNI 6592-69 - Box quantity: 24 pieces.



$\varnothing M$	M16	M20	M24
Smm	3	3	4
$\varnothing A$ mm	30	37	44
Zinc plated steel codes	7289	7290	7293
Stainless steel codes	7291	7292	7294

Nuts UNI 5588-65 - Box quantity: 24 pieces.



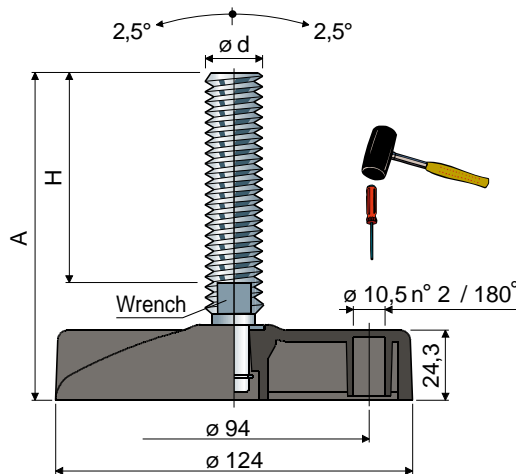
$\varnothing d$	M16	M20	M24
Smm	13	16	19
Ch. mm	24	30	36
Zinc plated steel codes	7275	7276	7279
Stainless steel codes	7277	7278	7280

On request

- Bases: In reinforced polypropylene (maximum static load is reduced to 1/3 compared to that with polyamide base) • other colours • with pre-bored fixing holes.
- Spindles with: Sunk hexagon head • second wrench seat head • hexagon wrench seat • threads with other pitches and lengths.
- Box quantity: Not standard.
- Assembling of: Anti-slip pads • nuts • washers.

Adjustable feet

(base in reinforced polyamide)



Ø 124 Part. 89



Spindle measures in mm				Base colour						Max static load (N)
				BLACK			BLUE RAL 5005			
ød	A	H	Wrench	Spindle material			Spindle material			
				Zinc plated steel Code	Stainless steel AISI 304 Code	Stainless steel AISI 316 Code	Zinc plated steel Code	Stainless steel AISI 304 Code	Stainless steel AISI 316 Code	
M16x2	100	58	13	89 / 7504	89 / 7505	-	89 / 87902	89 / 87903	-	43000
	161	119	13	89 / 7906	89 / 7907	-	89 / 87904	89 / 87905	-	
	187	145	13	89 / 7166	89 / 7167	-	89 / 87906	89 / 87907	-	
	243	201	13	89 / 7168	89 / 7169	-	89 / 87908	89 / 87909	-	
M18x2,5	199	157	15	89 / 7852	89 / 7851	-	89 / 87910	89 / 87911	-	45000
	134	89	17	89 / 87318	89 / 87319	-	89 / 87912	89 / 87913	-	
M20x2,5	152	107	17	89 / 7170	89 / 7171	-	89 / 87914	89 / 87915	-	45000
	181	136	17	89 / 7506	89 / 7507	-	89 / 87916	89 / 87917	-	
	202	157	17	89 / 7172	89 / 7173	89 / 85138	89 / 87918	89 / 87919	89 / 87901	
	235	190	17	89 / 83220	89 / 83221	-	89 / 87920	89 / 87921	-	
	283	238	17	89 / 83222	89 / 83223	-	89 / 87922	89 / 87923	-	
M24x3	138	90	19	89 / 7174	89 / 7175	-	89 / 87924	89 / 87925	-	47000
	175	127	19	89 / 7508	89 / 7509	-	89 / 87926	89 / 87927	-	
	210	162	19	89 / 7176	89 / 7177	-	89 / 87928	89 / 87929	-	
	250	202	19	89 / 83224	89 / 83225	-	89 / 87930	89 / 87931	-	
M30x3,5	173	125	24	89 / 7178	89 / 7179	-	89 / 87932	89 / 87933	-	50000
	233	185	24	89 / 7180	89 / 7181	-	89 / 87934	89 / 87935	-	

Base material: Reinforced polyamide black or blue Ral 5005 colour.

Box quantity: 8 pieces.

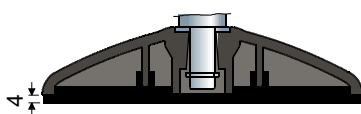
Accessories

Anti-slip pads:

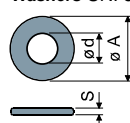
- code: 7268;

- material: thermoplastic rubber 68 Shore black colour;

- box quantity: 8 pieces.

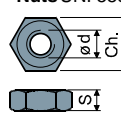


Washers UNI 6592-69 - Box quantity: 24 pieces.



ø M	M16	M20	M24	M30
Smm	3	3	4	4
ø Amm	30	37	44	56
Zinc plated steel codes	7289	7290	7293	7295
Stainless steel codes	7291	7292	7294	7296

Nuts UNI 5588-65 - Box quantity: 24 pieces.



ø d	M16	M20	M24	M30
Smm	13	16	19	24
Ch. mm	24	30	36	46
Zinc plated steel codes	7275	7276	7279	7281
Stainless steel codes	7277	7278	7280	7282

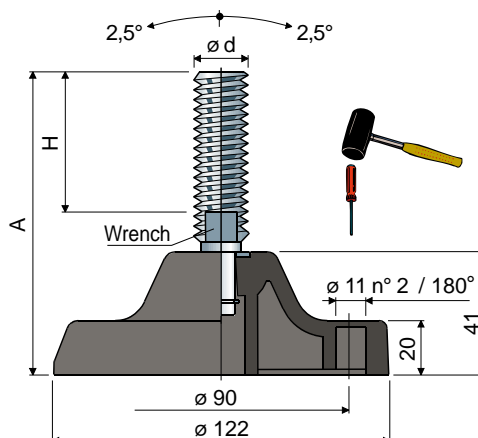
On request

- Bases: In reinforced polypropylene (maximum static load is reduced to 1/3 compared to that with polyamide base) • other colours • with pre-bored fixing holes.
- Spindles with: Sunk hexagon head • second wrench seat head • hexagon wrench seat • threads with other pitches and lengths.
- Box quantity: Not standard.
- Assembling of: Anti-slip pads • nuts • washers.

Adjustable feet

(base in reinforced polyamide)

Part. **93** \varnothing **122**



Spindle measures in mm				Base colour						Max static load (N)
				BLACK			BLUE RAL 5005			
$\varnothing d$	A	H	Wrench	Spindle material						
				Zinc plated steel Code	Stainless steel AISI 304 Code	Stainless steel AISI 316 Code	Zinc plated steel Code	Stainless steel AISI 304 Code	Stainless steel AISI 316 Code	
M16x2	119	58	13	93 / 7510	93 / 7511	-	93 / 87936	93 / 87937	-	43000
	180	119	13	93 / 7908	93 / 7909	-	93 / 87938	93 / 87939	-	
	206	145	13	93 / 7512	93 / 7513	-	93 / 87940	93 / 87941	-	
	262	201	13	93 / 7514	93 / 7515	-	93 / 87942	93 / 87943	-	
M18x2,5	214	157	15	93 / 82136	93 / 82137	-	93 / 87944	93 / 87945	-	45000
	150	89	17	93 / 80548	93 / 87315	-	93 / 87946	93 / 87947	-	
M20x2,5	171	107	17	93 / 7516	93 / 7517	-	93 / 87948	93 / 87949	-	45000
	200	136	17	93 / 7518	93 / 7519	-	93 / 87950	93 / 87951	-	
	221	157	17	93 / 7520	93 / 7521	93 / 85139	93 / 87952	93 / 87953	93 / 87970	
	250	190	17	93 / 83226	93 / 83227	-	93 / 87954	93 / 87955	-	
	298	238	17	93 / 83228	93 / 83229	-	93 / 87956	93 / 87957	-	
M24x3	157	90	19	93 / 7522	93 / 7523	-	93 / 87958	93 / 87959	-	47000
	194	127	19	93 / 7524	93 / 7525	-	93 / 87960	93 / 87961	-	
	229	162	19	93 / 7526	93 / 7527	-	93 / 87962	93 / 87963	-	
	265	202	19	93 / 83230	93 / 83231	-	93 / 87964	93 / 87965	-	
M30x3,5	188	125	24	93 / 7528	93 / 7529	-	93 / 87966	93 / 87967	-	50000
	252	185	24	93 / 7530	93 / 7531	-	93 / 87968	93 / 87969	-	

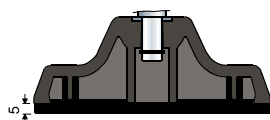
Base material: Reinforced polyamide black or blue Ral 5005 colour.

Box quantity: 8 pieces.

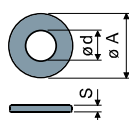
Accessories

Anti-slip pads:

- code: 7633;
- material: thermoplastic rubber 68 Shore black colour;
- box quantity: 8 pieces.

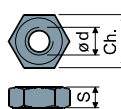


Washers UNI 6592-69 - Box quantity: 24 pieces.



$\varnothing M$	M16	M20	M24	M30
Smm	3	3	4	4
$\varnothing A$ mm	30	37	44	56
Zinc plated steel codes	7289	7290	7293	7295
Stainless steel codes	7291	7292	7294	7296

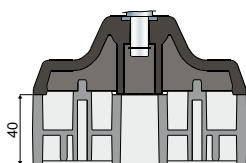
Nuts UNI 5588-65 - Box quantity: 24 pieces.



$\varnothing d$	M16	M20	M24	M30
Smm	13	16	19	24
Ch. mm	24	30	36	46
Zinc plated steel codes	7275	7276	7279	7281
Stainless steel codes	7277	7278	7280	7282

Spacers:

- code: 83410 (see pag. 256);
- material: Reinforced polyamide black colour;
- box quantity: 8 pieces.



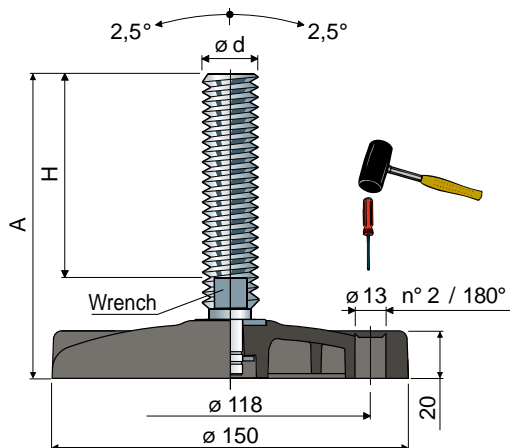
On request

- Bases: In reinforced polypropylene (maximum static load is reduced to 1/3 compared to that with polyamide base) • other colours • with pre-bored fixing holes.
- Spindles with: Sunk hexagon head • second wrench seat head • hexagon wrench seat • threads with other pitches and lengths.
- Box quantity: Not standard.
- Assembling of: Anti-slip pads • nuts • washers.

Adjustable feet

(base in reinforced polyamide)

Ø 150 Part. 124



Spindle measures in mm				Base colour						Max static load (N)
				BLACK			BLUE RAL 5005			
				Spindle material			Spindle material			
Ød	A	H	Wrench	Zinc plated steel Code	Stainless steel AISI 304 Code	Stainless steel AISI 316 Code	Zinc plated steel Code	Stainless steel AISI 304 Code	Stainless steel AISI 316 Code	
M16x2	98	58	13	124 / 85782	124 / 85791	-	124 / 87972	124 / 87973	-	45000
	159	119	13	124 / 85784	124 / 85793	-	124 / 87974	124 / 87975	-	
	185	145	13	124 / 85786	124 / 85795	-	124 / 87976	124 / 87977	-	
	241	201	13	124 / 85788	124 / 85797	-	124 / 87978	124 / 87979	-	
M18x2,5	197	157	15	124 / 85790	124 / 85799	-	124 / 87980	124 / 87981	-	47000
	132	89	17	124 / 87320	124 / 87321	-	124 / 87982	124 / 87983	-	
	150	107	17	124 / 85756	124 / 85767	-	124 / 87984	124 / 87985	-	
	179	136	17	124 / 85758	124 / 85769	-	124 / 87986	124 / 87987	-	
M20x2,5	200	157	17	124 / 85760	124 / 85771	124 / 85789	124 / 87988	124 / 87989	124 / 87971	49000
	233	190	17	124 / 85762	124 / 85773	-	124 / 87990	124 / 87991	-	
	281	238	17	124 / 85766	124 / 85775	-	124 / 87992	124 / 87993	-	
	136	90	19	124 / 85768	124 / 85777	-	124 / 87994	124 / 87995	-	
M24x3	173	127	19	124 / 85770	124 / 85779	-	124 / 87996	124 / 87997	-	52000
	208	162	19	124 / 85772	124 / 85781	-	124 / 87998	124 / 87999	-	
	248	202	19	124 / 85774	124 / 85783	-	124 / 88000	124 / 88001	-	
	171	125	24	124 / 85776	124 / 85785	-	124 / 88002	124 / 88003	-	
M30x3,5	231	185	24	124 / 85778	124 / 85787	-	124 / 88004	124 / 88005	-	

Base material: Reinforced polyamide black or blue Ral 5005 colour.

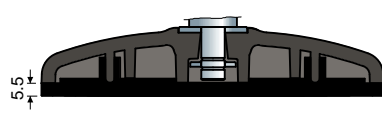
Box quantity: 8 pieces.

Accessories

Anti-slip pads:

- code: 85780;
- material: thermoplastic rubber 68 Shore black colour;
- box quantity: 8 pieces.

Washers UNI 6592-69 - Box quantity: 24 pieces.



Ø M	M16	M20	M24	M30
Smm	3	3	4	4
Ø A mm	30	37	44	56
Zinc plated steel codes	7289	7290	7293	7295
Stainless steel codes	7291	7292	7294	7296

Nuts UNI 5588-65 - Box quantity: 24 pieces.

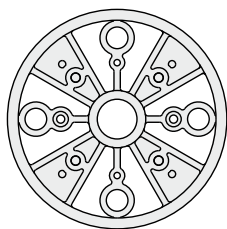
Ø d	M16	M20	M24	M30
Smm	13	16	19	24
Ch. mm	24	30	36	46
Zinc plated steel codes	7275	7276	7279	7281
Stainless steel codes	7277	7278	7280	7282

On request

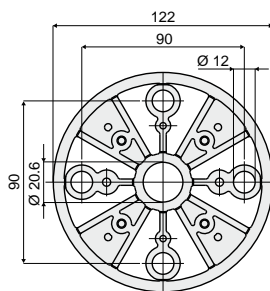
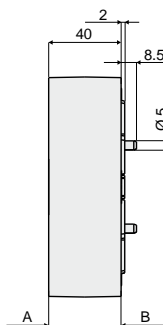
- Bases: In reinforced polypropylene (maximum static load is reduced to 1/3 compared to that with polyamide base) • other colours • with pre-bored fixing holes.
- Spindles with: Sunk hexagon head • second wrench seat head • hexagon wrench seat • threads with other pitches and lengths.
- Box quantity: Not standard.
- Assembling of: Anti-slip pads • nuts • washers.

Accessories for supporting and levelling components

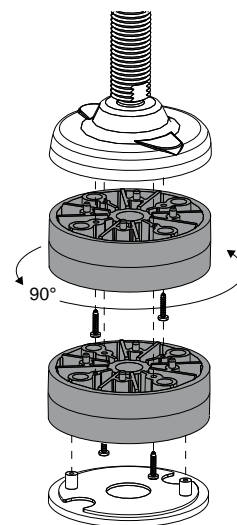
Part. 104 Spacer (for Part.92, 93)



A view (spacer)



B view (spacer)



Example of application

Code
104 / 83410

Materials: Spacer in reinforced polyamide black colour.

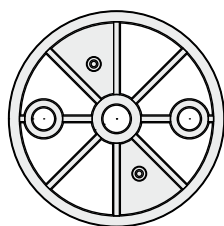
Features: To be used with foot-plates part. 92 and 93 to increase the height of the foot-plates. It is possible to assemble the anti-slip code 7633 (see page 249, 254).

Box quantity: 8 pieces.

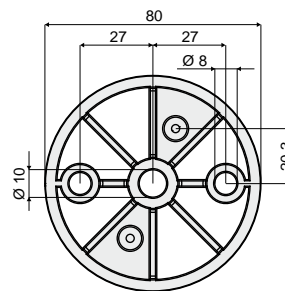
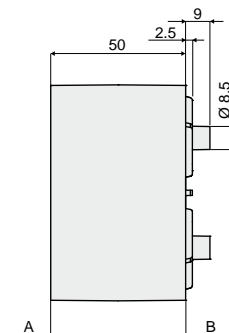
On request:

- Box quantity: According to your request.

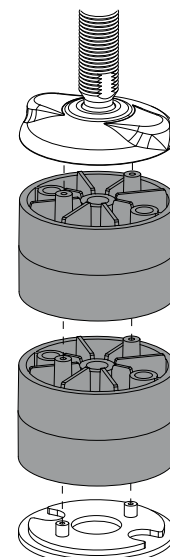
Part. 127 Spacer (for Part.25)



A view (spacer)



B view (spacer)



Example of application

Code
127 / 86797

Materials: Spacer in reinforced polyamide black colour.

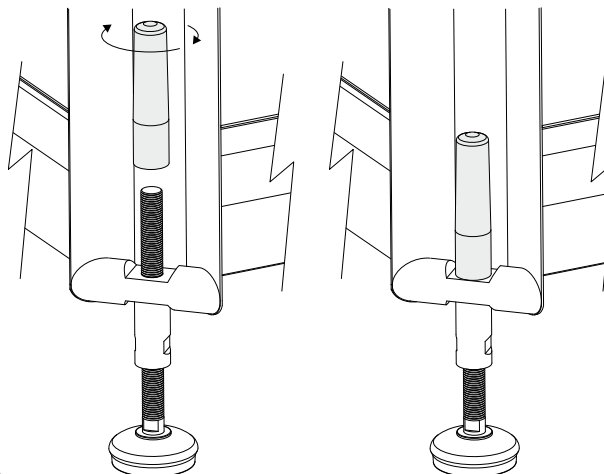
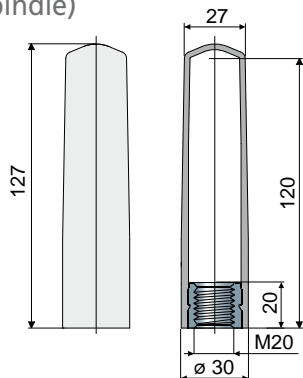
Features: To be used with footplate part. 25 to increase the height of the foot-plates. It is possible to assemble the anti-slip code 7266 (see page 240, 246).

Box quantity: 8 pieces.

On request:

- Box quantity: According to your request.

Part. 128 Protection cap (for M20 spindle)



Example of application

Code
128 / 87128

Materials: Cap in polypropylene grey colour, threaded bushing in nickel plated brass.

Features: To be screwed as a thread protection on M20 spindles, for total protection of the thread.

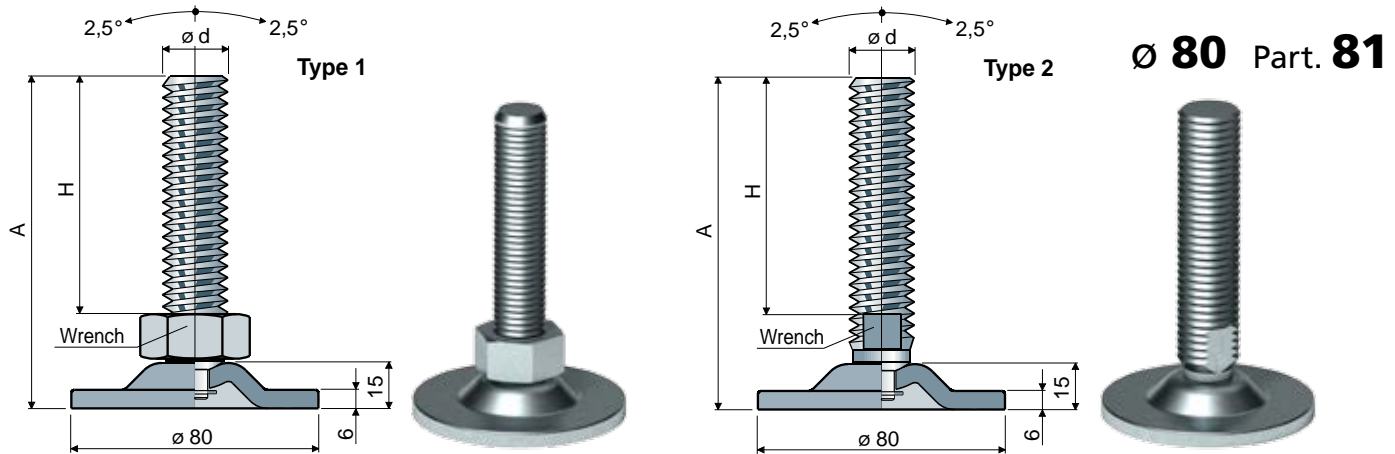
Box quantity: 8 pieces.

On request:

- Box quantity: According to your request.

Adjustable feet

(base in steel)

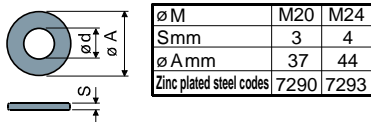


Spindle measures in mm			Spindle and base in zinc plated steel			Max static load (N)
ø d	A	H	Wrench	Type 1 Code	Type 2 Code	
M20x2,5	120	87	30	81 / 80786	-	40000
	152	117	30	81 / 84318	-	
	160	127	30	81 / 82882	-	
M24x3	120	85	19	-	81 / 80214	

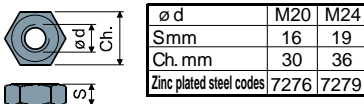
Material: Base and spindle in zinc-plated steel.

Box quantity: 8 pieces.

Washers UNI 6592-69 - Box quantity: 24 pieces.

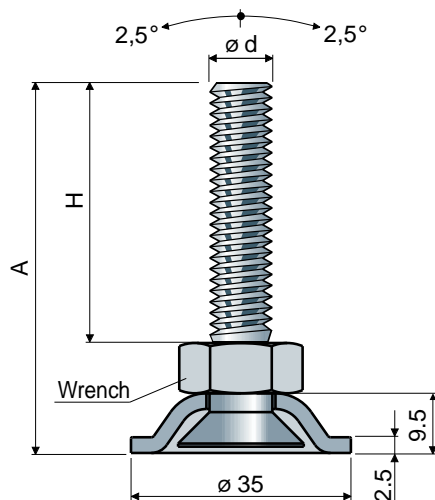


Nuts UNI 5588-65 - Box quantity: 24 pieces.



On request

- Spindles with: Sunk hexagon head • second wrench seat head • hexagon wrench seat • threads with other pitches and lengths.
- Box quantity: Not standard.
- Assembling of: Nuts • washers.



Ø 35 Part. 123

Spindle measures in mm			Spindle material			Max static load (N)
ø d	A	H	Wrench	Zinc plated steel Code	Stainless steel AISI 304 Code	
M10x1,5	66	48,5	17	123 / 85712	123 / 85713	10000
	91	73,5	17	123 / 85714	123 / 85715	
	121	103,5	17	123 / 85716	123 / 85717	

Base material: Stainless steel AISI 304.

Box quantity: 24 pieces.

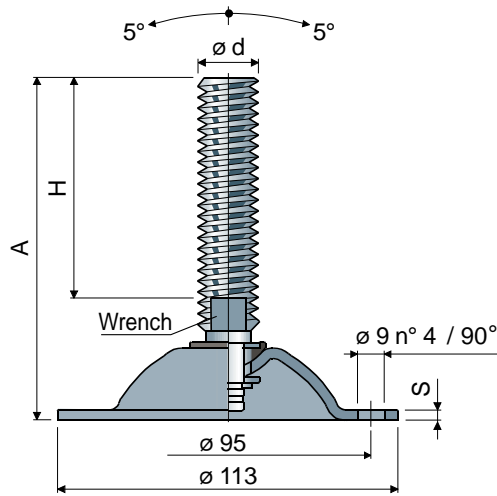
On request

- Box quantity: Not standard.
- Assembling of: Nuts • washers.

Adjustable feet

(base in steel)

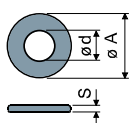
Part. **96** Ø **113**



Spindle measures in mm			Spindle and base material			Max static load (N)		
$\varnothing d$	A	H	Wrench	Zinc plated steel Code	Stainless steel AISI 304 Code			
M16x2	100	58	13	96 / 7562	96 / 7563	15000 (zinc plated) S = 3,5		
	161	119	13	96 / 7916	96 / 7917			
	187	145	13	96 / 7564	96 / 7565			
	243	201	13	96 / 7566	96 / 7567			
M18x2,5	199	157	15	96 / 82138	96 / 82139		10000 (AISI 304) S = 3	
	134	89	17	96 / 87322	96 / 87323			
	152	107	17	96 / 7568	96 / 7569			
M20x2,5	181	136	17	96 / 7570	96 / 7571			10000 (AISI 304) S = 3
	202	157	17	96 / 7572	96 / 7573			
	235	190	17	96 / 83232	96 / 83233			
	283	238	17	96 / 83234	96 / 83235			
M24x3	138	90	19	96 / 7574	96 / 7575	10000 (AISI 304) S = 3		
	175	127	19	96 / 7576	96 / 7577			
	210	162	19	96 / 7578	96 / 7579			
	250	202	19	96 / 83236	96 / 83237			
M30x3,5	173	125	24	96 / 7580	96 / 7581		10000 (AISI 304) S = 3	
	233	185	24	96 / 7582	96 / 7583			

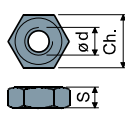
Box quantity: 8 pieces.

Washers UNI 6592-69 - Box quantity: 24 pieces.



$\varnothing M$	M16	M20	M24	M30
Smm	3	3	4	4
$\varnothing A$ mm	30	37	44	56
Zinc plated steel codes	7289	7290	7293	7295
Stainless steel codes	7291	7292	7294	7296

Nuts UNI 5588-65 - Box quantity: 24 pieces.



$\varnothing d$	M16	M20	M24	M30
Smm	13	16	19	24
Ch. mm	24	30	36	46
Zinc plated steel codes	7275	7276	7279	7281
Stainless steel codes	7277	7278	7280	7282

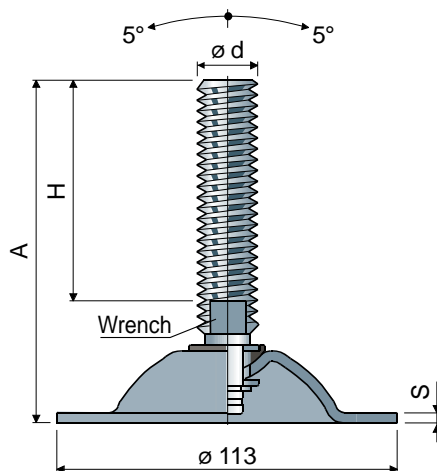
On request

- Spindles with: Sunk hexagon head • second wrench seat head • hexagon wrench seat • threads with other pitches and lengths • stainless steel AISI 316.
- Box quantity: Not standard.
- Assembling of: Nuts • washers.

Adjustable feet

(base in steel)

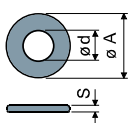
Ø 113 Part. 98



Spindle measures in mm			Spindle and base material				Max static load (N)
$\varnothing d$	A	H	Wrench	Zinc plated steel Code	Stainless steel AISI 304 Code		
M16x2	100	58	13	98 / 7584	98 / 7585	15000 (zinc plated) S = 3,5	
	161	119	13	98 / 7918	98 / 7919		
	187	145	13	98 / 7586	98 / 7587		
	243	201	13	98 / 7588	98 / 7589		
M18x2,5	199	157	15	98 / 82140	98 / 82141		
	134	89	17	98 / 87324	98 / 87325		
	152	107	17	98 / 7590	98 / 7591		
M20x2,5	181	136	17	98 / 7592	98 / 7593		10000 (AISI 304) S = 3
	202	157	17	98 / 7594	98 / 7595		
	235	190	17	98 / 83238	98 / 83239		
	283	238	17	98 / 83240	98 / 83241		
M24x3	138	90	19	98 / 7596	98 / 7597		
	175	127	19	98 / 7598	98 / 7599		
	210	162	19	98 / 7600	98 / 7601		
	250	202	19	98 / 83242	98 / 83243		
M30x3,5	173	125	24	98 / 7602	98 / 7603		
	233	185	24	98 / 7604	98 / 7605		

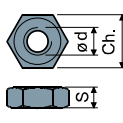
Box quantity: 8 pieces.

Washers UNI 6592-69 - Box quantity: 24 pieces.



Ø M	M16	M20	M24	M30
Smm	3	3	4	4
Ø A mm	30	37	44	56
Zinc plated steel codes	7289	7290	7293	7295
Stainless steel codes	7291	7292	7294	7296

Nuts UNI 5588-65 - Box quantity: 24 pieces.



Ø d	M16	M20	M24	M30
Smm	13	16	19	24
Ch. mm	24	30	36	46
Zinc plated steel codes	7275	7276	7279	7281
Stainless steel codes	7277	7278	7280	7282

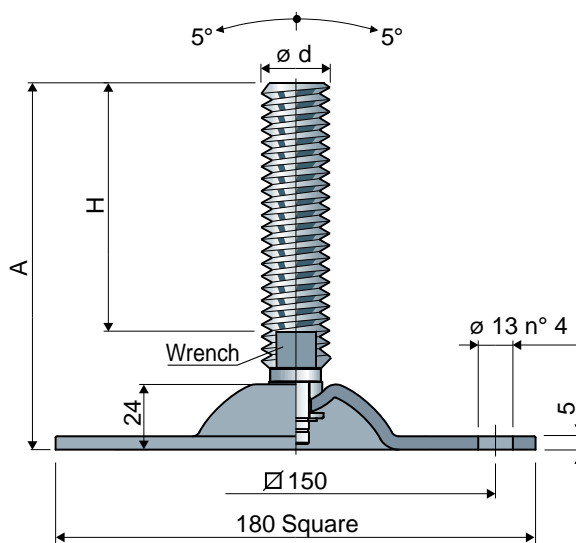
On request

- Spindles with: Sunk hexagon head • second wrench seat head • hexagon wrench seat • threads with other pitches and lengths • stainless steel AISI 316.
- Box quantity: Not standard.
- Assembling of: Nuts • washers.

Adjustable feet

(base in steel)

Part. **94** \square 180

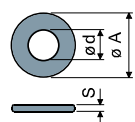


Spindle measures in mm

$\varnothing d$	A	H	Wrench	Spindle and base in zinc plated steel		Spindle and base in stainless steel AISI 304		Max static load (N)
				Code	Code			
M16x2	100	57	13	94 / 82968	94 / 86119	45000		
	161	118	13	94 / 82970	94 / 86121			
	187	144	13	94 / 82972	94 / 86123			
	243	200	13	94 / 82974	94 / 86125			
M18x2,5	199	157	15	94 / 82976	94 / 86127	46000		
	134	89	17	94 / 87326	94 / 87327			
	152	107	17	94 / 82978	94 / 86129			
M20x2,5	181	136	17	94 / 82980	94 / 86131	47000		
	202	157	17	94 / 82982	94 / 86133			
	235	190	17	94 / 82984	94 / 86135			
	283	238	17	94 / 83262	94 / 86137			
	138	90	19	94 / 82986	94 / 86139			
M24x3	175	127	19	94 / 82988	94 / 86141	48000		
	210	162	19	94 / 82990	94 / 86143			
	250	202	19	94 / 83264	94 / 86145			
	173	125	24	94 / 82992	94 / 86147			
M30x3,5	233	185	24	94 / 82994	94 / 86149	49000		

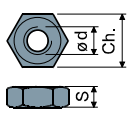
Box quantity: 8 pieces.

Washers UNI 6592-69 - Box quantity: 24 pieces.



$\varnothing M$	M16	M20	M24	M30
Smm	3	3	4	4
$\varnothing A$ mm	30	37	44	56
Zinc plated steel codes	7289	7290	7293	7295
Stainless steel codes	7291	7292	7294	7296

Nuts UNI 5588-65 - Box quantity: 24 pieces.



$\varnothing d$	M16	M20	M24	M30
Smm	13	16	19	24
Ch. mm	24	30	36	46
Zinc plated steel codes	7275	7276	7279	7281
Stainless steel codes	7277	7278	7280	7282

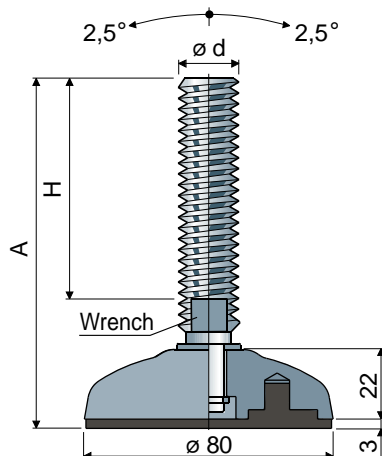
On request

- Spindles with: Sunk hexagon head • second wrench seat head • hexagon wrench seat • threads with other pitches and lengths.
- Box quantity: Not standard.
- Assembling of: Nuts • washers.

Adjustable feet

(base in nickel plated steel)

Ø 80 Part. 95



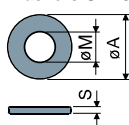
Spindle measures in mm			Spindle material			Max static load (N)
ø d	A	H	Wrench	Zinc plated steel Code	Stainless steel AISI 304 Code	
M16x2	101	58	13	95 / 7532	95 / 7533	46000
	162	119	13	95 / 7910	95 / 7911	
	188	145	13	95 / 7534	95 / 7535	
	244	201	13	95 / 7536	95 / 7537	
M18x2,5	200	157	15	95 / 82144	95 / 82145	47000
	135	89	17	95 / 87328	95 / 87329	
	153	107	17	95 / 7538	95 / 7539	
M20x2,5	182	136	17	95 / 7540	95 / 7541	47000
	203	157	17	95 / 7542	95 / 7543	
	236	190	17	95 / 83244	95 / 83245	
	284	238	17	95 / 83246	95 / 83247	
	139	90	19	95 / 7544	95 / 7545	
M24x3	176	127	19	95 / 7546	95 / 7547	48000
	211	162	19	95 / 7548	95 / 7549	
	250	202	19	95 / 83248	95 / 83249	

Base material: Nickel plated steel.

Box quantity: 8 pieces.

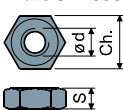
Features: The feet are complete with anti-slip pad made out of thermoplastic rubber 68 Shore black colour.

Washers UNI 6592-69 - Box quantity: 24 pieces.



ø M	M16	M20	M24
Smm	3	3	4
ø A mm	30	37	44
Zinc plated steel codes	7289	7290	7293
Stainless steel codes	7291	7292	7294

Nuts UNI 5588-65 - Box quantity: 24 pieces.



ø d	M16	M20	M24
Smm	13	16	19
Ch. mm	24	30	36
Zinc plated steel codes	7275	7276	7279
Stainless steel codes	7277	7278	7280

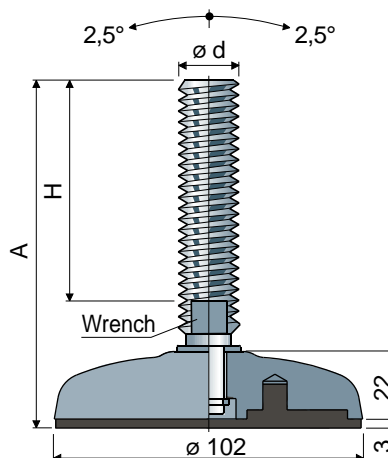
On request

- Spindles with: Sunk hexagon head • second wrench seat head • hexagon wrench seat • threads with other pitches and lengths • stainless steel AISI 316.
- Box quantity: Not standard.
- Assembling of: Nuts • washers.

Adjustable feet

(base in steel)

Part. **97** Ø **102**



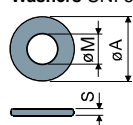
Spindle measures in mm				Base in nickel plated steel	Base in nickel plated steel	Base in stainless steel AISI 304	Max static load (N)	
$\varnothing d$	A	H	Wrench	Spindle in zinc plated steel Code	Spindle in stainless steel AISI 304 Code	Spindle in stainless steel AISI 304 Code		
M16x2	101	58	13	97 / 7550	97 / 7551	97 / 87296	50000	
	162	119	13	97 / 7912	97 / 7913	97 / 87297		
	188	145	13	97 / 7182	97 / 7183	97 / 87298		
	244	201	13	97 / 7184	97 / 7185	97 / 87299		
M18x2,5	200	157	15	97 / 82146	97 / 82147	97 / 87300	51000	
	135	89	17	97 / 87330	97 / 87331	97 / 87443		
M20x2,5	153	107	17	97 / 7186	97 / 7187	97 / 87301		
	182	136	17	97 / 7552	97 / 7553	97 / 87302		
	203	157	17	97 / 7188	97 / 7189	97 / 87303		
	236	190	17	97 / 83250	97 / 83251	97 / 87304		
M24x3	284	238	17	97 / 83252	97 / 83253	97 / 87305		
	139	90	19	97 / 7190	97 / 7191	97 / 87306		52000
	176	127	19	97 / 7554	97 / 7555	97 / 87307		
	211	162	19	97 / 7192	97 / 7193	97 / 87308		
	250	202	19	97 / 83254	97 / 83255	97 / 87309		

Base material: Nickel plated steel or stainless steel AISI 304.

Box quantity: 8 pieces.

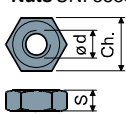
Features: The feet are complete with anti-slip pad made out of thermoplastic rubber 68 Shore black colour .

Washers UNI 6592-69 - Box quantity: 24 pieces.



$\varnothing M$	M16	M20	M24
Smm	3	3	4
$\varnothing A$ mm	30	37	44
Zinc plated steel codes	7289	7290	7293
Stainless steel codes	7291	7292	7294

Nuts UNI 5588-65 - Box quantity: 24 pieces.



$\varnothing d$	M16	M20	M24
Smm	13	16	19
Ch. mm	24	30	36
Zinc plated steel codes	7275	7276	7279
Stainless steel codes	7277	7278	7280

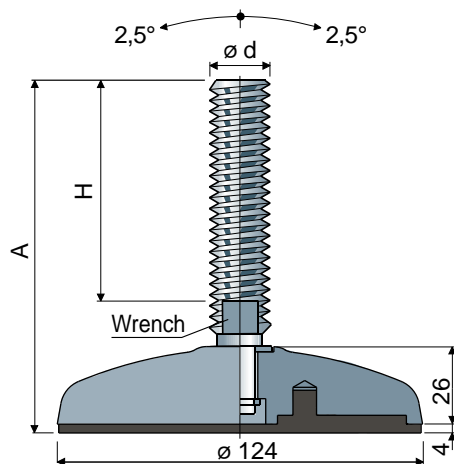
On request

- Spindles with: Sunk hexagon head • second wrench seat head • hexagon wrench seat • threads with other pitches and lengths • stainless steel AISI 316.
- Box quantity: Not standard.
- Assembling of: Nuts • washers.

Adjustable feet

(base in steel)

Ø 124 Part. 99



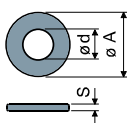
Spindle measures in mm			Base in nickel plated steel	Base in nickel plated steel	Base in stainless steel AISI 304	Max static load (N)
ø d	A	H	Spindle in zinc plated steel Code	Spindle in stainless steel AISI 304 Code	Spindle in stainless steel AISI 304 Code	
M16x2	104	58	13	99 / 7556	99 / 7557	55000
	165	119	13	99 / 7914	99 / 7915	
	191	145	13	99 / 7194	99 / 7195	
	247	201	13	99 / 7196	99 / 7197	
M18x2,5	203	157	15	99 / 82148	99 / 82149	56000
	138	89	17	99 / 87332	99 / 87333	
	156	107	17	99 / 7198	99 / 7199	
M20x2,5	185	136	17	99 / 7558	99 / 7559	57000
	206	157	17	99 / 7200	99 / 7201	
	239	190	17	99 / 83256	99 / 83257	
	287	238	17	99 / 83258	99 / 83259	
	142	90	19	99 / 7202	99 / 7203	
M24x3	179	127	19	99 / 7560	99 / 7561	58000
	214	162	19	99 / 7204	99 / 7205	
	254	202	19	99 / 83260	99 / 83261	
	177	125	24	99 / 7206	99 / 7207	
M30x3,5	237	185	24	99 / 7208	99 / 7209	58000

Base material: Nickel plated steel or stainless steel AISI 304.

Box quantity: 8 pieces.

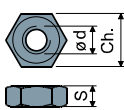
Features: The feet are complete with anti-slip pad made out of thermoplastic rubber 68 Shore black colour .

Washers UNI 6592-69 - Box quantity: 24 pieces.



ø M	M16	M20	M24	M30
Smm	3	3	4	4
ø A mm	30	37	44	56
Zinc plated steel codes	7289	7290	7293	7295
Stainless steel codes	7291	7292	7294	7296

Nuts UNI 5588-65 - Box quantity: 24 pieces.



ø d	M16	M20	M24	M30
Smm	13	16	19	24
Ch. mm	24	30	36	46
Zinc plated steel codes	7275	7276	7279	7281
Stainless steel codes	7277	7278	7280	7282

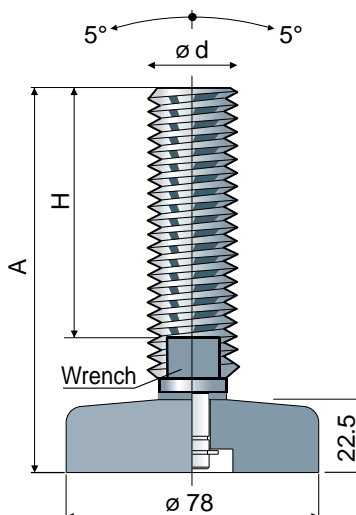
On request

- Spindles with: Sunk hexagon head • second wrench seat head • hexagon wrench seat • threads with other pitches and lengths • stainless steel AISI 316.
- Box quantity: Not standard.
- Assembling of: Nuts • washers.

Adjustable feet, sanitizable

(Stainless steel base for important loads)

Part. **115** \varnothing **78**

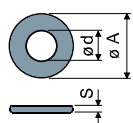


Spindle measures in mm				Spindle and base in stainless steel AISI 304		Max static load (N)
$\varnothing d$	A	H	Wrench	Code		
M16x2	99	58	13	115 / 83958	52000	
	160	119	13	115 / 83959		
	186	145	13	115 / 83960		
	242	201	13	115 / 83961		
M20x2,5	132	89	17	115 / 87334		
	150	107	17	115 / 83962		
	179	136	17	115 / 83963		
	200	157	17	115 / 83964		
	233	190	17	115 / 83965		
M24x3	281	238	17	115 / 83966		
	136	90	19	115 / 83967		
	173	127	19	115 / 83968		
	208	162	19	115 / 83969		
M30x3,5	248	202	19	115 / 83970		
	171	125	24	115 / 83971		
	231	185	24	115 / 83831		

Material: Spindle and base in stainless steel AISI 304.

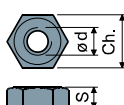
Box quantity: 8 pieces.

Washers UNI 6592-69 - Box quantity: 24 pieces.



$\varnothing M$	M16	M20	M24	M30
Smm	3	3	4	4
$\varnothing A$ mm	30	37	44	56
Stainless steel codes	7291	7292	7294	7296

Nuts UNI 5588-65 - Box quantity: 24 pieces.



$\varnothing d$	M16	M20	M24	M30
Smm	13	16	19	24
Ch. mm	24	30	36	46
Stainless steel codes	7277	7278	7280	7282

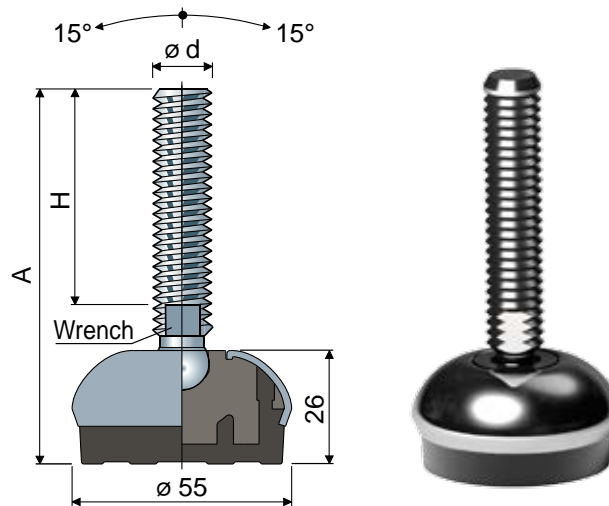
On request

- Spindles with: Sunk hexagon head • second wrench seat head • hexagon wrench seat • threads with other pitches and lengths • stainless steel AISI 316.
- Box quantity: Not standard.
- Assembling of: Nuts • washers.

Articulated feet, sanitizable

(base in stainless steel)

Ø 55 Part. **113**



Spindle measures in mm				Spindle and base in stainless steel AISI 304		Max static load (N)
$\varnothing d$	A	H	Wrench	Code		
M8x1,25	80	45	6	113 / 83791	11000	
	100	65	6	113 / 83792		
	142	107	6	113 / 83793		
M10x1,5	71	35	8	113 / 83794	12000	
	107	70	8	113 / 83795		
	152	115	8	113 / 83796		
M12x1,75	82	43	10	113 / 83797	13000	
	102	63	10	113 / 83798		
	116	77	10	113 / 83799		
	132	93	10	113 / 83822		
	162	123	10	113 / 83823		
M14x2	102	61	12	113 / 83824	14000	
	132	91	12	113 / 83825		
	157	116	12	113 / 83826		
M16x2	103	60	13	113 / 83784	15000	
	133	90	13	113 / 83785		
	148	105	13	113 / 83786		
	168	125	13	113 / 83787		
	198	155	13	113 / 83788		
	208	165	13	113 / 83789		
	248	205	13	113 / 83790		

Spindle measures in inches				Spindle and base in stainless steel AISI 304		Max static load (N)
$\varnothing d$	A	H	Wrench	Code		
1/2" - 13 UNC	5,19"	4"	7/16"	113 / 83827	13000	
5/8" - 11 UNC	8,70"	7"	1/2"	113 / 83800	15000	
3/4" - 10 UNC	8,78"	7"	5/8"	113 / 83801	19000	

Base material: Internal part made of reinforced polyamide; external covering made of stainless steel AISI 304; anti-slip pad made of thermoplastic rubber 68 Shore black colour.

Box quantity: 8 pieces.

Features: Co-moulded anti-slip pad allows a perfect adherence with steel base. Consequent absence of internal cavities makes foot extremely cleanable.

Washers UNI 6592-69 - Box quantity: 24 pieces.

$\varnothing M$	M8	M10	M12	M14	M16
Smm	1,6	2	2,5	2,5	3
$\varnothing A$ mm	17	21	24	28	30
Stainless steel codes	7637	7286	7287	7288	7291

Nuts UNI 5588-65 - Box quantity: 24 pieces.

$\varnothing d$	M8	M10	M12	M14	M16
Smm	6,5	8	10	11	13
Ch. mm	13	17	19	22	24
Stainless steel codes	7635	7272	7273	7274	7277

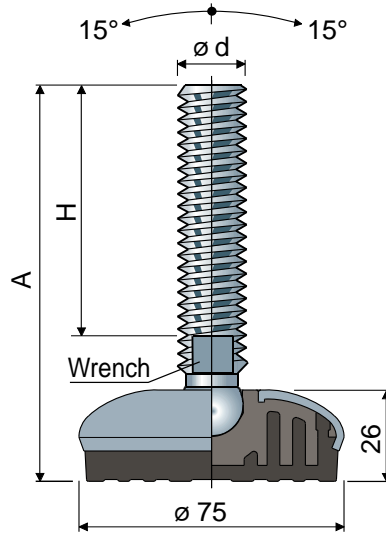
On request

- Spindles with: Sunk hexagon head • second wrench seat head • hexagon wrench seat • threads with other pitches and lengths • stainless steel AISI 316.
- Anti-slip pads: White colour.
- Box quantity: Not standard.
- Assembling of: Nuts • washers.

Articulated feet, sanitizable

(base in stainless steel)

Part. **107** \varnothing **75**



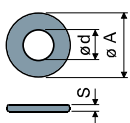
Spindle measures in mm				Spindle and base in stainless steel AISI 304		Max static load (N)
$\varnothing d$	A	H	Wrench	Code		
M16x2	103	60	13	107 / 83524	19000	
	133	90	13	107 / 83525		
	148	105	13	107 / 83526		
	168	125	13	107 / 83527		
	198	155	13	107 / 83528		
	208	165	13	107 / 83529		
M20x2,5	248	205	13	107 / 83530	21000	
	132	86	17	107 / 83531		
	162	116	17	107 / 83532		
	187	141	17	107 / 83533		
M24x3	244	198	17	107 / 83534	23000	
	142	96	19	107 / 83535		
	168	122	19	107 / 83536		
	198	152	19	107 / 83537		
M30x3,5	228	182	19	107 / 83538	25000	
	346	300	19	107 / 83539		
Spindle measures in inches				Spindle and base in stainless steel AISI 304		Max static load (N)
$\varnothing d$	A	H	Wrench	Code		
5/8"-11 UNC	8,70"	7"	1/2"	107 / 83592	19000	
3/4"-10 UNC	8,78"	7"	5/8"	107 / 83593	21000	

Base material: Internal part made of reinforced polyamide; external covering made of stainless steel AISI 304; anti-slip pad made of thermoplastic rubber 68 Shore black colour.

Box quantity: 8 pieces.

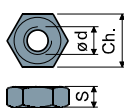
Features: Co-moulded anti-slip pad allows a perfect adherence with steel base. Consequent absence of internal cavities makes foot extremely cleanable.

Washers UNI 6592-69 - Box quantity: 24 pieces.



$\varnothing M$	M16	M20	M24	M30
Smm	3	3	4	4
$\varnothing A$ mm	30	37	44	56
Stainless steel codes	7291	7292	7294	7296

Nuts UNI 5588-65 - Box quantity: 24 pieces.



$\varnothing d$	M16	M20	M24	M30
Smm	13	16	19	24
Ch. mm	24	30	36	46
Stainless steel codes	7277	7278	7280	7282

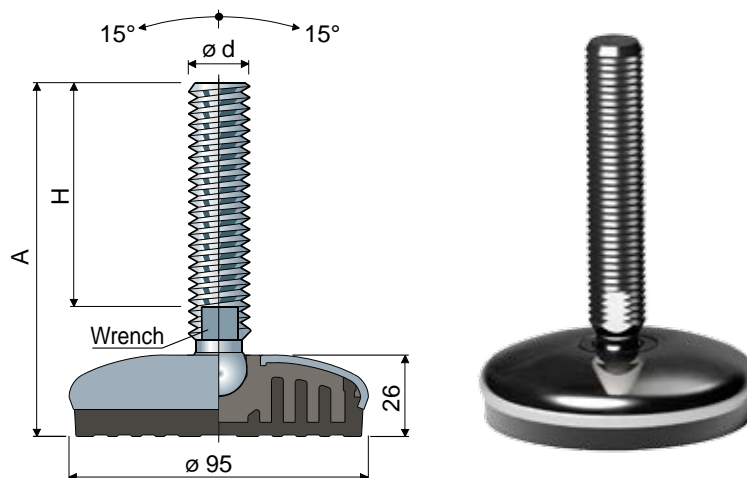
On request

- Spindles with: Sunk hexagon head • second wrench seat head • hexagon wrench seat • threads with other pitches and lengths • stainless steel AISI 316.
- Anti-slip pads: White colour.
- Box quantity: Not standard.
- Assembling of: Nuts • washers.

Articulated feet, sanitizable

(base in stainless steel)

Ø 95 Part. 101



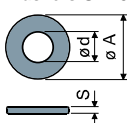
Spindle measures in mm				Spindle and base in stainless steel AISI 304 Code	Max static load (N)
$\varnothing d$	A	H	Wrench		
M16x2	103	60	13	101 / 83073	22000
	133	90	13	101 / 83074	
	148	105	13	101 / 83075	
	168	125	13	101 / 83076	
	198	155	13	101 / 83077	
	208	165	13	101 / 83078	
M20x2,5	248	205	13	101 / 83263	24000
	132	86	17	101 / 83079	
	162	116	17	101 / 83209	
	187	141	17	101 / 83081	
M24x3	244	198	17	101 / 83082	26000
	142	96	19	101 / 83083	
	168	122	19	101 / 83084	
	198	152	19	101 / 83085	
M30x3,5	228	182	19	101 / 83086	28000
	346	300	19	101 / 83087	
Spindle measures in inches					
$\varnothing d$	A	H	Wrench	Spindle and base in stainless steel AISI 304 Code	Max static load (N)
5/8" -11 UNC	8,70"	7"	1/2"	101 / 83145	22000
3/4" -10 UNC	8,78"	7"	5/8"	101 / 83155	24000

Base material: Internal part made of reinforced polyamide; external covering made of stainless steel AISI 304; anti-slip pad made of thermoplastic rubber 68 Shore black colour.

Box quantity: 8 pieces.

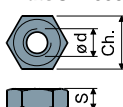
Features: Co-moulded anti-slip pad allows a perfect adherence with steel base. Consequent absence of internal cavities makes foot extremely cleanable.

Washers UNI 6592-69 - Box quantity: 24 pieces.



$\varnothing M$	M16	M20	M24	M30
Smm	3	3	4	4
$\varnothing A$ mm	30	37	44	56
Stainless steel codes	7291	7292	7294	7296

Nuts UNI 5588-65 - Box quantity: 24 pieces.



$\varnothing d$	M16	M20	M24	M30
Smm	13	16	19	24
Ch. mm	24	30	36	46
Stainless steel codes	7277	7278	7280	7282

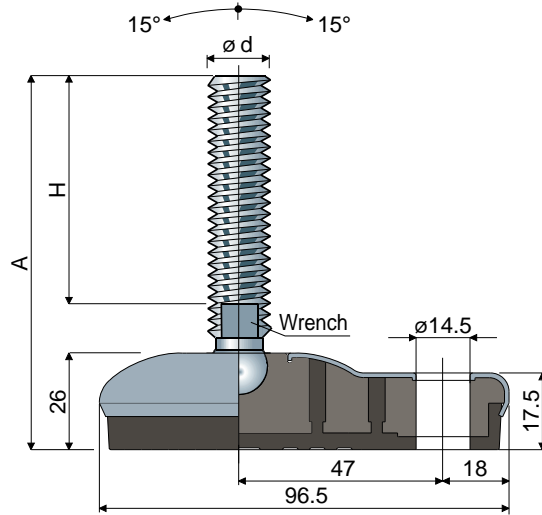
On request

- Spindles with: Sunk hexagon head • second wrench seat head • hexagon wrench seat • threads with other pitches and lengths • stainless steel AISI 316.
- Anti-slip pads: White colour.
- Box quantity: Not standard.
- Assembling of: Nuts • washers.

Articulated feet, sanitizable with side fixing system

(base in stainless steel)

Part. **120 65x96**



Spindle measures in mm				Spindle and base in stainless steel AISI 304		Max static load (N)
$\varnothing d$	A	H	Wrench	Code		
M8x1,25	80	45	6	120 / 84837	13000	
	100	65	6	120 / 84838		
	142	107	6	120 / 84839		
M10x1,5	71	35	8	120 / 84840	14000	
	107	70	8	120 / 84841		
	152	115	8	120 / 84842		
M12x1,75	82	43	10	120 / 84843	15000	
	102	63	10	120 / 84844		
	116	77	10	120 / 84845		
	132	93	10	120 / 84846		
	162	123	10	120 / 84847		
M14x2	102	61	12	120 / 84848	16000	
	132	91	12	120 / 84849		
	157	116	12	120 / 84850		
M16x2	103	60	13	120 / 84851	17000	
	133	90	13	120 / 84852		
	148	105	13	120 / 84853		
	168	125	13	120 / 84854		
	198	155	13	120 / 84855		
	208	165	13	120 / 84856		
248	205	13	120 / 84857			

Spindle measures in inches				Spindle and base in stainless steel AISI 304		Max static load (N)
$\varnothing d$	A	H	Wrench	Code		
1/2"-13 UNC	5,20"	3,64"	7/16"	120 / 84862	22000	
5/8"-11 UNC	8,7"	7"	1/2"	120 / 84863	22000	
3/4"-10 UNC	8,77"	7"	5/8"	120 / 84864	24000	

Base material: Internal part made of reinforced polyamide; external covering made of stainless steel AISI 304; anti-slip pad made of thermoplastic rubber 68 Shore black colour.

Box quantity: 8 pieces.

Features: Co-moulded anti-slip pad allows a perfect adherence with steel base. Consequent absence of internal cavities makes foot extremely cleanable.

Washers UNI 6592-69 - Box quantity: 24 pieces.

$\varnothing M$	M8	M10	M12	M14	M16
Smm	1,6	2	2,5	2,5	3
$\varnothing A$ mm	17	21	24	28	30
Stainless steel codes	7637	7286	7287	7288	7291

Nuts UNI 5588-65 - Box quantity: 24 pieces.

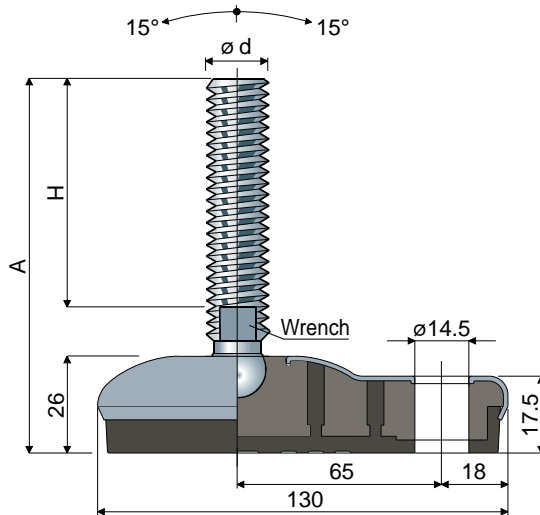
$\varnothing d$	M8	M10	M12	M14	M16
Smm	6,5	8	10	11	13
Ch. mm	13	17	19	22	24
Stainless steel codes	7635	7272	7273	7274	7277

On request

- Spindles with: Sunk hexagon head • second wrench seat head • hexagon wrench seat • threads with other pitches and lengths • stainless steel AISI 316.
- Anti-slip pads: White colour.
- Box quantity: Not standard.
- Assembling of: Nuts • washers.

Articulated feet, sanitizable with side fixing system

(base in stainless steel)



95x130 Part. **111**

Spindle measures in mm					
$\varnothing d$	A	H	Wrench	Spindle and base in stainless steel AISI 304 Code	Max static load (N)
M16x2	103	60	13	111 / 83762	22000
	133	90	13	111 / 83763	
	148	105	13	111 / 83764	
	168	125	13	111 / 83765	
	198	155	13	111 / 83766	
	208	165	13	111 / 83767	
M20x2,5	248	205	13	111 / 83768	24000
	134	86	17	111 / 83769	
	164	116	17	111 / 83770	
	189	141	17	111 / 83771	
M24x3	246	198	17	111 / 83772	26000
	143	96	19	111 / 83773	
	169	122	19	111 / 83774	
	199	152	19	111 / 83775	
M30x3,5	229	182	19	111 / 83776	28000
	347	300	19	111 / 83777	
	188	144	24	111 / 86219	28000

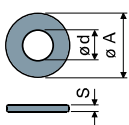
Spindle measures in inches					
$\varnothing d$	A	H	Wrench	Spindle and base in stainless steel AISI 304 Code	Max static load (N)
5/8"-11 UNC	8,76"	7"	1/2"	111 / 83778	22000
3/4"-10 UNC	8,84"	7"	5/8"	111 / 83779	24000

Base material: Internal part made of reinforced polyamide; external covering made of stainless steel AISI 304; anti-slip pad made of thermoplastic rubber 68 Shore black colour.

Box quantity: 8 pieces.

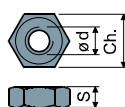
Features: Co-moulded anti-slip pad allows a perfect adherence with steel base. Consequent absence of internal cavities makes foot extremely cleanable.

Washers UNI 6592-69 - Box quantity: 24 pieces.



$\varnothing M$	M16	M20	M24	M30
Smm	3	3	4	4
$\varnothing A$ mm	30	37	44	56
Stainless steel codes	7291	7292	7294	7296

Nuts UNI 5588-65 - Box quantity: 24 pieces.



$\varnothing d$	M16	M20	M24	M30
Smm	13	16	19	24
Ch. mm	24	30	36	46
Stainless steel codes	7277	7278	7280	7282

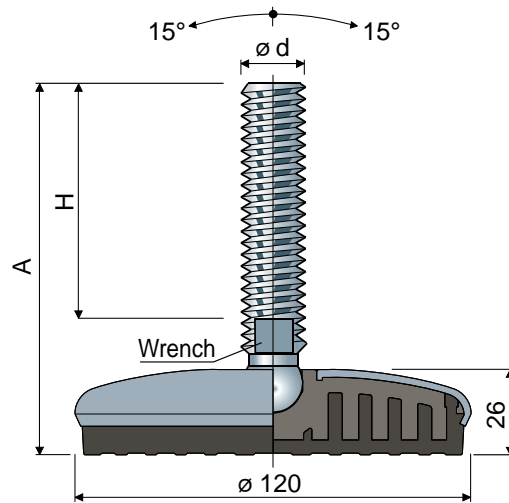
On request

- Spindles with: Sunk hexagon head • second wrench seat head • hexagon wrench seat • threads with other pitches and lengths • stainless steel AISI 316.
- Anti-slip pads: White colour.
- Box quantity: Not standard.
- Assembling of: Nuts • washers.

Articulated feet, sanitizable

(base in stainless steel)

Part. **109** \varnothing **120**



Spindle measures in mm				Spindle and base in stainless steel AISI 304		Max static load (N)
$\varnothing d$	A	H	Wrench	Code		
M16x2	103	60	13	109 / 83558	25000	
	133	90	13	109 / 83559		
	148	105	13	109 / 83560		
	168	125	13	109 / 83561		
	198	155	13	109 / 83562		
	208	165	13	109 / 83563		
M20x2,5	248	205	13	109 / 83564	27000	
	132	86	17	109 / 83565		
	162	116	17	109 / 83566		
	187	141	17	109 / 83567		
M24x3	244	198	17	109 / 83568	29000	
	142	96	19	109 / 83569		
	168	122	19	109 / 83570		
	198	152	19	109 / 83571		
M30x3,5	228	182	19	109 / 83572	31000	
	346	300	19	109 / 83573		
	191	144	24	109 / 86218		

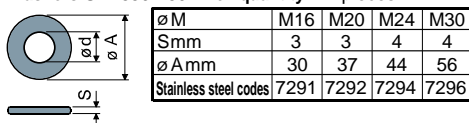
Spindle measures in inches				Spindle and base in stainless steel AISI 304		Max static load (N)
$\varnothing d$	A	H	Wrench	Code		
5/8" -11 UNC	8,70"	7"	1/2"	109 / 83594	25000	
3/4" -10 UNC	8,78"	7"	5/8"	109 / 83595	27000	

Base material: Internal part made of reinforced polyamide; external covering made of stainless steel AISI 304; anti-slip pad made of thermoplastic rubber 68 Shore black colour.

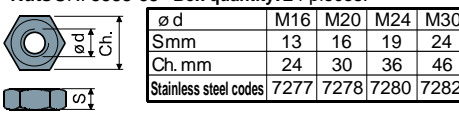
Box quantity: 8 pieces.

Features: Co-moulded anti-slip pad allows a perfect adherence with steel base. Consequent absence of internal cavities makes foot extremely cleanable.

Washers UNI 6592-69 - Box quantity: 24 pieces.



Nuts UNI 5588-65 - Box quantity: 24 pieces.



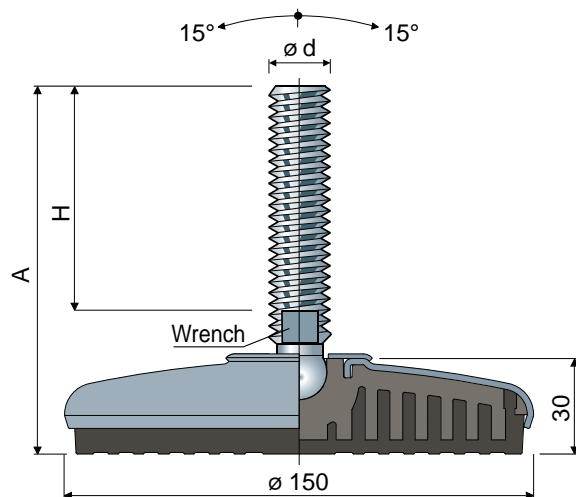
On request

- Spindles with: Sunk hexagon head • second wrench seat head • hexagon wrench seat • threads with other pitches and lengths • stainless steel AISI 316.
- Anti-slip pads: White colour.
- Box quantity: Not standard.
- Assembling of: Nuts • washers.

Articulated feet, sanitizable

(base in stainless steel)

Ø 150 Part. 125



Spindle measures in mm				Spindle and base in stainless steel AISI 304 Code	Max static load (N)
$\varnothing d$	A	H	Wrench		
M20x2,5	137	86	17	125 / 86006	33000
	167	116	17	125 / 86007	
	192	141	17	125 / 86008	
	249	198	17	125 / 86009	
M24x3	147	96	19	125 / 86011	35000
	173	122	19	125 / 86012	
	203	152	19	125 / 86013	
	233	182	19	125 / 86014	
	351	300	19	125 / 86015	
M30x3,5	195	144	24	125 / 86020	38000

Base material: Internal part made of reinforced polyamide; external covering made of stainless steel AISI 304; anti-slip pad made of thermoplastic rubber 68 Shore black colour.

Box quantity: 8 pieces.

Features: Co-moulded anti-slip pad allows a perfect adherence with steel base. Consequent absence of internal cavities makes foot extremely cleanable.

Washers UNI 6592-69 - Box quantity: 24 pieces.

$\varnothing M$	M20	M24	M30
Smm	3	4	4
$\varnothing A$ mm	37	44	56
Stainless steel codes	7292	7294	7296

Nuts UNI 5588-65 - Box quantity: 24 pieces.

$\varnothing d$	M20	M24	M30
Smm	16	19	24
Ch. mm	30	36	46
Stainless steel codes	7278	7280	7282

On request

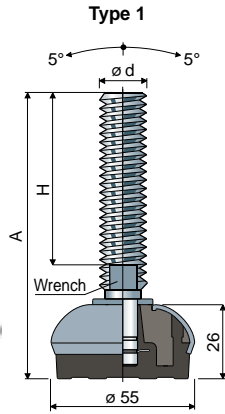
- Spindles with: Sunk hexagon head • second wrench seat head • hexagon wrench seat • threads with other pitches and lengths • stainless steel AISI 316.
- Anti-slip pads: White colour.
- Box quantity: Not standard.
- Assembling of: Nuts • washers.

Adjustable feet, sanitizable

(base in stainless steel)

Part. **114** \varnothing **55**

NEW



Base material: Internal part made of reinforced polyamide; external covering made of stainless steel AISI 304; anti-slip pad made of thermoplastic rubber 68 Shore black, white or blue Ral 5005 colour.

Box quantity: 8 pieces.

Features: Co-moulded anti-slip pad allows a perfect adherence with steel base. Consequent absence of internal cavities makes foot extremely cleanable. The threaded insert guarantees the protection of the spindle thread. Feet with M12 spindle diameter are supplied with hexagonal adjustment for 17 mm. wrench.

		Type 1						
		Spindle measures in mm			Spindle and base in stainless steel AISI 304			
$\varnothing d$	A	H	Wrench	Black anti-slip pad	White anti-slip pad	Blue Ral 5005 anti-slip pad	Max static load (N)	
				Code	Code	Code		
M12x1,75	110	70	17	114 / 83802	114 / 85874	114 / 88141	15000	
	148	108	12	114 / 83803	114 / 85875	114 / 88142		
M16x2	102	58	13	114 / 83804	114 / 85876	114 / 88143	20000	
	163	119	13	114 / 83805	114 / 85877	114 / 88144		
	189	145	13	114 / 83806	114 / 85878	114 / 88145		
	245	201	13	114 / 83807	114 / 85879	114 / 88146		
M18x2,5	201	156	15	114 / 83808	114 / 85880	114 / 88147	20000	
	133	89	17	114 / 87337	114 / 87338	114 / 88148		
M20x2,5	151	107	17	114 / 83809	114 / 85881	114 / 88149	20000	
	180	136	17	114 / 83810	114 / 85882	114 / 88150		
M24x3	201	157	17	114 / 83811	114 / 85883	114 / 88151	20000	
	234	190	17	114 / 83812	114 / 85884	114 / 88152		
M30x3,5	282	238	17	114 / 83813	114 / 85885	114 / 88153	20000	
	139	90	13	114 / 83814	114 / 85886	114 / 88154		
M24x3	176	127	13	114 / 83815	114 / 85887	114 / 88155	20000	
	211	162	13	114 / 83816	114 / 85888	114 / 88156		
M30x3,5	250	201	13	114 / 83817	114 / 85889	114 / 88157	20000	
	174	125	13	114 / 83818	114 / 85890	114 / 88158		
M30x3,5	234	185	13	114 / 83819	114 / 85891	114 / 88159	20000	

Washers UNI 6592-69 - Box quantity: 24 pieces.

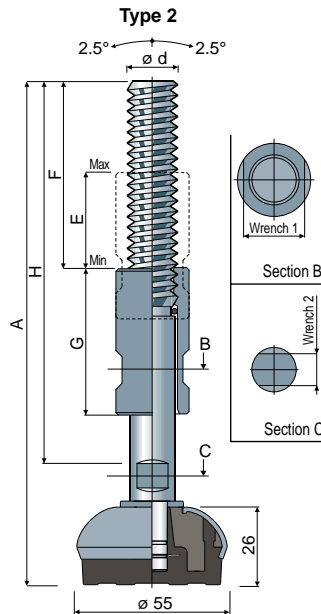
$\varnothing M$	M12	M14	M16	M20	M24	M30
Smm	2,5	2,5	3	3	4	4
$\varnothing A$ mm	24	28	30	37	44	56
Stainless steel codes	7287	7288	7291	7292	7294	7296

Nuts UNI 5588-65 - Box quantity: 24 pieces.

$\varnothing d$	M12	M14	M16	M20	M24	M30
Smm	10	11	13	16	19	24
Ch. mm	19	22	24	30	36	46
Stainless steel codes	7273	7274	7277	7278	7280	7282

On request

- Spindles with: Sunk hexagon head • second wrench seat head • hexagon wrench seat • threads with other pitches and lengths • stainless steel AISI 316.
- Box quantity: Not standard.
- Assembling of: Nuts • washers.



NEW

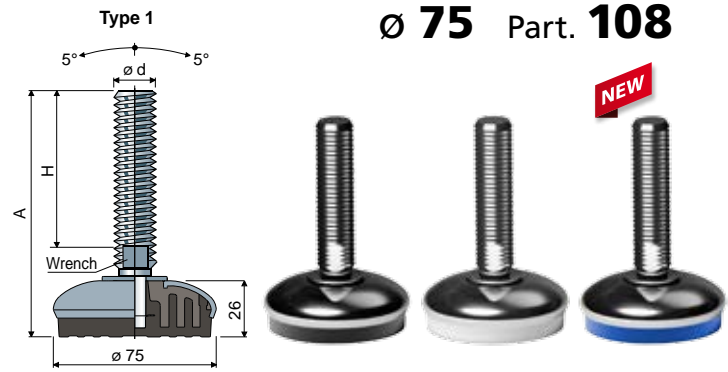
		Type 2									
		Spindle measures in mm					Spindle and base in stainless steel AISI 304				
$\varnothing d$	A	H	F	E	G	Wrench 1	Wrench 2	Black anti-slip pad	White anti-slip pad	Blue Ral 5005 anti-slip pad	Max static load (N)
								Code	Code	Code	
M16x2	200	159	73	39	60	22	12	114 / 88008	114 / 88010	114 / 88160	20000
	260	220	100	78	100	22	12	114 / 88009	114 / 88011	114 / 88161	
M20x2,5	200	159	73	39	60	25	13	114 / 85164	114 / 85892	114 / 88162	20000
	260	220	100	78	100	25	13	114 / 85165	114 / 85893	114 / 88163	
M24x3	200	159	73	39	60	30	17	114 / 88012	114 / 88014	114 / 88164	20000
	260	220	100	78	100	30	17	114 / 88013	114 / 88015	114 / 88165	

Adjustable feet, sanitizable

(base in stainless steel)

Ø 75 Part. 108

Type 1							
Spindle measures in mm				Spindle and base in stainless steel AISI 304			
ød	A	H	Wrench	Black anti-slip pad	White anti-slip pad	Blue Ral 5005 anti-slip pad	Max static load (N)
				Code	Code	Code	
M12x1,75	109	70	17	108 / 83540	108 / 85894	108 / 88166	17000
M14x2	148	108	12	108 / 83541	108 / 85895	108 / 88167	
M16x2	102	58	13	108 / 83542	108 / 85896	108 / 88168	
	163	119	13	108 / 83543	108 / 85897	108 / 88169	
	189	145	13	108 / 83544	108 / 85898	108 / 88170	
M18x2,5	245	201	13	108 / 83545	108 / 85899	108 / 88171	
	201	157	15	108 / 83546	108 / 85900	108 / 88172	
	135	89	17	108 / 87335	108 / 87336	108 / 88173	
M20x2,5	153	107	17	108 / 83547	108 / 85901	108 / 88174	
	182	136	17	108 / 83548	108 / 85902	108 / 88175	
	203	157	17	108 / 83549	108 / 85903	108 / 88176	
	236	190	17	108 / 83550	108 / 85904	108 / 88177	
	284	238	17	108 / 83551	108 / 85905	108 / 88178	
M24x3	139	90	19	108 / 83552	108 / 85906	108 / 88179	24000
	176	127	19	108 / 83553	108 / 85907	108 / 88180	
	211	162	19	108 / 83554	108 / 85908	108 / 88181	
250	201	19	108 / 83555	108 / 85909	108 / 88182		
M30x3,5	174	125	24	108 / 83556	108 / 85910	108 / 88183	
	234	185	24	108 / 83557	108 / 85911	108 / 88184	

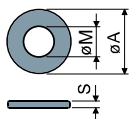


Base material: Internal part made of reinforced polyamide; external covering made of stainless steel AISI 304; anti-slip pad made of thermoplastic rubber 68 Shore black, white or blue Ral 5005 colour.

Box quantity: 8 pieces.

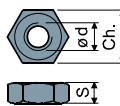
Features: Co-moulded anti-slip pad allows a perfect adherence with steel base. Consequent absence of internal cavities makes foot extremely cleanable. The threaded insert guarantees the protection of the spindle thread. Feet with M12 spindle diameter are supplied with hexagonal adjustment for 17 mm. wrench.

Washers UNI 6592-69 - Box quantity: 24 pieces.



øM	M12	M14	M16	M20	M24	M30
Smm	2,5	2,5	3	3	4	4
øAmm	24	28	30	37	44	56
Stainless steel codes	7287	7288	7291	7292	7294	7296

Nuts UNI 5588-65 - Box quantity: 24 pieces.

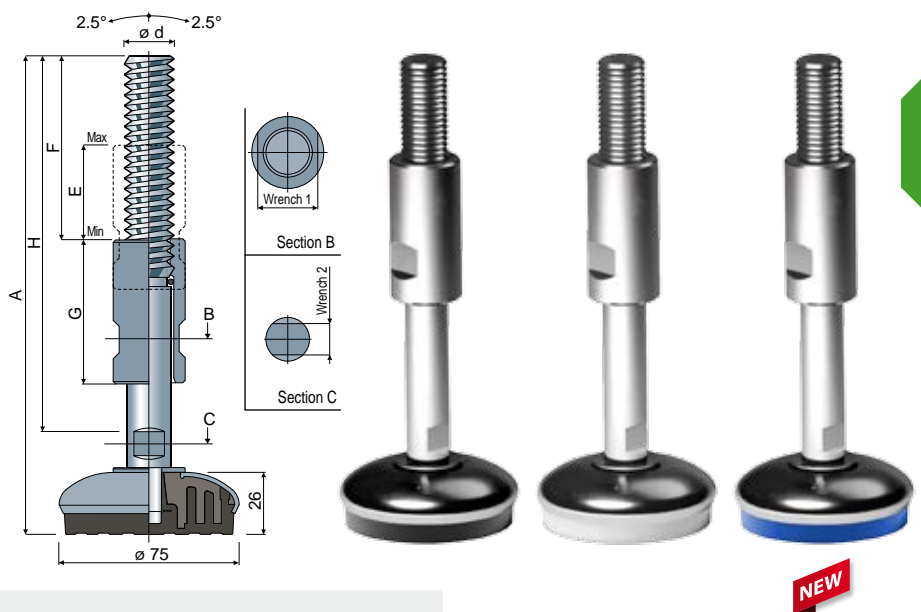


ø d	M12	M14	M16	M20	M24	M30
Smm	10	11	13	16	19	24
Ch. mm	19	22	24	30	36	46
Stainless steel codes	7273	7274	7277	7278	7280	7282

On request

- Spindles with: Sunk hexagon head • second wrench seat head • hexagon wrench seat • threads with other pitches and lengths • stainless steel AISI 316.
- Box quantity: Not standard.
- Assembling of: Nuts • washers.

Type 2

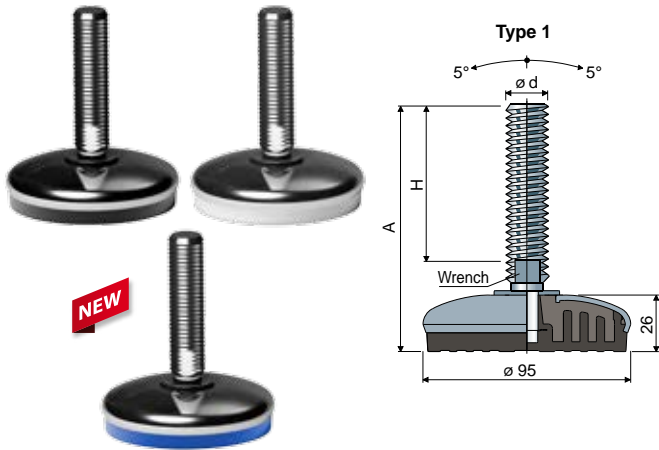


Type 2											
Spindle measures in mm						Spindle and base in stainless steel AISI 304					
ød	A	H	F	E	G	Wrench 1	Wrench 2	Black anti-slip pad	White anti-slip pad	Blue Ral 5005 anti-slip pad	Max static load (N)
								Code	Code	Code	
M16x2	200	159	73	39	60	22	12	108 / 88016	108 / 88018	108 / 88185	24000
	260	220	100	78	100	22	12	108 / 88017	108 / 88019	108 / 88186	
M20x2,5	200	159	73	39	60	25	13	108 / 84134	108 / 85912	108 / 88187	
	260	220	100	78	100	25	13	108 / 84190	108 / 85913	108 / 88188	
M24x3	200	159	73	39	60	30	17	108 / 88020	108 / 88022	108 / 88189	
	260	220	100	78	100	30	17	108 / 88021	108 / 88023	108 / 88190	

Adjustable feet, sanitizable

(base in stainless steel)

Part. **103** \varnothing **95**



Type 1									
Spindle measures in mm					Spindle and base in stainless steel AISI 304				
$\varnothing d$	A	H	Wrench	Black anti-slip pad Code	White anti-slip pad Code	Blue Ral 5005 anti-slip pad Code	Max static load (N)		
M12x1,75	109	70	17	103 / 83043	103 / 85854	103 / 88191	17000		
M14x2	148	108	12	103 / 83052	103 / 83637	103 / 88192			
	102	58	13	103 / 83053	103 / 85856	103 / 88193			
	163	119	13	103 / 83054	103 / 83651	103 / 88194			
M16x2	189	145	13	103 / 83055	103 / 85858	103 / 88195			
	245	201	13	103 / 83056	103 / 85859	103 / 88196			
	201	157	15	103 / 83057	103 / 85860	103 / 88197			
M18x2,5	135	89	17	103 / 87339	103 / 87340	103 / 88198			
	153	107	17	103 / 83058	103 / 85861	103 / 88199			
	182	136	17	103 / 83059	103 / 83627	103 / 88200			
M20x2,5	203	157	17	103 / 83060	103 / 85862	103 / 88201	27000		
	236	190	17	103 / 83061	103 / 85863	103 / 88202			
	284	238	17	103 / 83062	103 / 85864	103 / 88203			
M20x2,5	139	90	19	103 / 83063	103 / 85865	103 / 88204			
	176	127	19	103 / 83064	103 / 85866	103 / 88205			
	211	162	19	103 / 83065	103 / 85867	103 / 88206			
M24x3	250	201	19	103 / 83066	103 / 85868	103 / 88207			
	174	125	24	103 / 83067	103 / 85869	103 / 88208			
M30x3,5	234	185	24	103 / 83068	103 / 85870	103 / 88209			

Base material: Internal part made of reinforced polyamide; external covering made of stainless steel AISI 304; anti-slip pad made of thermoplastic rubber 68 Shore black, white or blue Ral 5005 colour.

Box quantity: 8 pieces.

Features: Co-moulded anti-slip pad allows a perfect adherence with steel base. Consequent absence of internal cavities makes foot extremely cleanable. The threaded insert guarantees the protection of the spindle thread. Feet with M12 spindle diameter are supplied with hexagonal adjustment for 17 mm. wrench.

Washers UNI 6592-69 - Box quantity: 24 pieces.

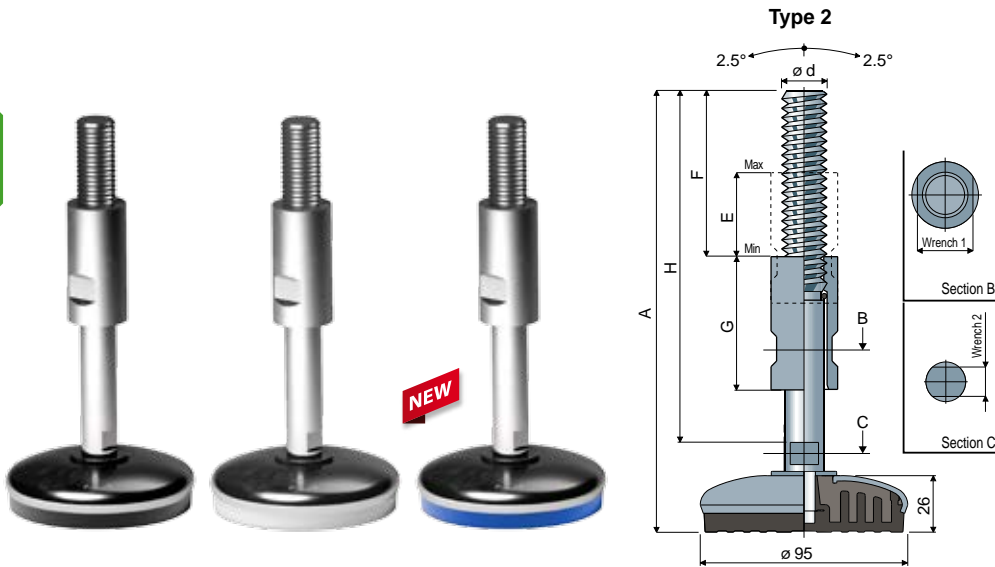
\varnothing M	M12	M14	M16	M20	M24	M30
Smm	2,5	2,5	3	3	4	4
\varnothing A mm	24	28	30	37	44	56
Stainless steel codes	7287	7288	7291	7292	7294	7296

Nuts UNI 5588-65 - Box quantity: 24 pieces.

$\varnothing d$	M12	M14	M16	M20	M24	M30
Smm	10	11	13	16	19	24
Ch. mm	19	22	24	30	36	46
Stainless steel codes	7273	7274	7277	7278	7280	7282

On request

- Spindles with: Sunk hexagon head • second wrench seat head • hexagon wrench seat • threads with other pitches and lengths • stainless steel AISI 316.
- Box quantity: Not standard.
- Assembling of: Nuts • washers.



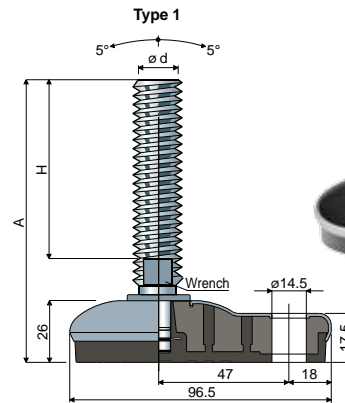
Type 2											
Spindle measures in mm						Spindle and base in stainless steel AISI 304					
$\varnothing d$	A	H	F	E	G	Wrench 1	Wrench 2	Black anti-slip pad Code	White anti-slip pad Code	Blue Ral 5005 anti-slip pad Code	Max static load (N)
M16x2	200	159	73	39	60	22	12	103 / 88024	103 / 88026	103 / 88210	27000
	260	220	100	78	100	22	12	103 / 88025	103 / 88027	103 / 88211	
M20x2,5	200	159	73	39	60	25	13	103 / 83465	103 / 85872	103 / 88212	
	260	220	100	78	100	25	13	103 / 84191	103 / 85873	103 / 88213	
M24x3	200	159	73	39	60	30	17	103 / 88028	103 / 88030	103 / 88214	
	260	220	100	78	100	30	17	103 / 88029	103 / 88031	103 / 88215	

Adjustable feet, sanitizable with side fixing system

(base in stainless steel)

65x96 Part. 119

Type 1							
Spindle measures in mm			Spindle and base in stainless steel AISI 304				
ød	A	H	Wrench	Black	White	Blue Ral 5005	Max static load (N)
				anti-slip pad Code	anti-slip pad Code	anti-slip pad Code	
M12x1,75	110	70	17	119 / 84819	119 / 85914	119 / 88216	22000
M14x2	148	108	12	119 / 84820	119 / 85915	119 / 88217	
M16x2	102	58	13	119 / 84821	119 / 85916	119 / 88218	
	163	119	13	119 / 84822	119 / 85917	119 / 88219	
	189	145	13	119 / 84823	119 / 85918	119 / 88220	
M18x2,5	245	201	13	119 / 84824	119 / 85919	119 / 88221	
	201	157	15	119 / 84825	119 / 85920	119 / 88222	
M20x2,5	133	89	17	119 / 87347	119 / 87348	119 / 88223	
	151	107	17	119 / 84826	119 / 85921	119 / 88224	
	180	136	17	119 / 84827	119 / 85922	119 / 88225	
	201	157	17	119 / 84828	119 / 85923	119 / 88226	
	234	190	17	119 / 84829	119 / 85924	119 / 88227	
	282	238	17	119 / 84830	119 / 85925	119 / 88228	

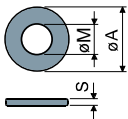


Base material: Internal part made of reinforced polyamide; external covering made of stainless steel AISI 304; anti-slip pad made of thermoplastic rubber 68 Shore black, white or blue Ral 5005 colour.

Box quantity: 8 pieces.

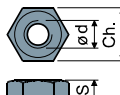
Features: Co-moulded anti-slip pad allows a perfect adherence with steel base. Consequent absence of internal cavities makes foot extremely cleanable. The threaded insert guarantees the protection of the spindle thread. Feet with M12 spindle diameter are supplied with hexagonal adjustment for 17 mm. wrench.

Washers UNI 6592-69 - Box quantity: 24 pieces.



ø M	M12	M14	M16	M20	M24	M30
Smm	2,5	2,5	3	3	4	4
ø A mm	24	28	30	37	44	56
Stainless steel codes	7287	7288	7291	7292	7294	7296

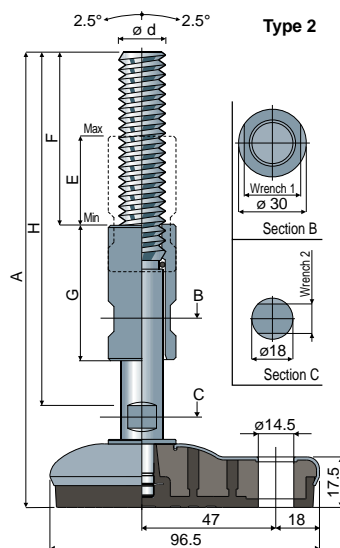
Nuts UNI 5588-65 - Box quantity: 24 pieces.



ø d	M12	M14	M16	M20	M24	M30
Smm	10	11	13	16	19	24
Ch. mm	19	22	24	30	36	46
Stainless steel codes	7273	7274	7277	7278	7280	7282

On request

- Spindles with: Sunk hexagon head • second wrench seat head • hexagon wrench seat • threads with other pitches and lengths • stainless steel AISI 316.
- Box quantity: Not standard.
- Assembling of: Nuts • washers.

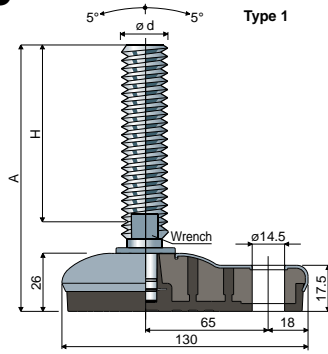


Type 2											
Spindle measures in mm					Spindle and base in stainless steel AISI 304						
ød	A	H	F	E	G	Wrench 1	Wrench 2	Black	White	Blue Ral 5005	Max static load (N)
								anti-slip pad Code	anti-slip pad Code	anti-slip pad Code	
M16x2	200	159	73	39	60	22	12	119 / 88032	119 / 88034	119 / 88229	22000
	260	220	100	78	100	22	12	119 / 88033	119 / 88035	119 / 88230	
M20x2,5	200	159	73	39	60	25	13	119 / 85088	119 / 85926	119 / 88231	
	260	220	100	78	100	25	13	119 / 85089	119 / 85927	119 / 88232	
M24x3	200	159	73	39	60	30	17	119 / 88036	119 / 88038	119 / 88233	
	260	220	100	78	100	30	17	119 / 88037	119 / 88039	119 / 88234	

Adjustable feet, sanitizable with side fixing system

(base in stainless steel)

Part. 112 95x130



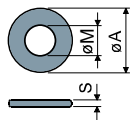
Type 1								
Spindle measures in mm				Spindle and base in stainless steel AISI 304				
$\varnothing d$	A	H	Wrench	Black anti-slip pad Code	White anti-slip pad Code	Blue Ral 5005 anti-slip pad Code	Max static load (N)	
M12x1,75	111	70	17	112 / 83744	112 / 85928	112 / 88235	17000	
M14x2	150	108	12	112 / 83745	112 / 85929	112 / 88236		
	103	58	13	112 / 83746	112 / 85930	112 / 88237		
M16x2	164	119	13	112 / 83747	112 / 85931	112 / 88238		
	190	145	13	112 / 83748	112 / 85932	112 / 88239		
	246	201	13	112 / 83749	112 / 85933	112 / 88240		
M18x2,5	203	157	15	112 / 83750	112 / 85934	112 / 88241		27000
	136	89	17	112 / 87341	112 / 87342	112 / 88242		
	154	107	17	112 / 83751	112 / 85935	112 / 88243		
M20x2,5	183	136	17	112 / 83752	112 / 84222	112 / 88244		
	204	157	17	112 / 83753	112 / 85936	112 / 88245		
	237	190	17	112 / 83754	112 / 85937	112 / 88246		
M24x3	285	238	17	112 / 83755	112 / 85938	112 / 88247		
	141	90	19	112 / 83756	112 / 85939	112 / 88248		
	178	127	19	112 / 83757	112 / 85940	112 / 88249		
M30x3,5	213	162	19	112 / 83758	112 / 85941	112 / 88250		
	252	201	19	112 / 83759	112 / 85942	112 / 88251		
M30x3,5	176	125	24	112 / 83760	112 / 85943	112 / 88252		
	236	185	24	112 / 83761	112 / 84223	112 / 88253		

Base material: Internal part made of reinforced polyamide; external covering made of stainless steel AISI 304; anti-slip pad made of thermoplastic rubber 68 Shore black, white or blue Ral 5005 colour.

Box quantity: 8 pieces.

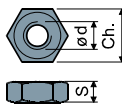
Features: Co-moulded anti-slip pad allows a perfect adherence with steel base. Consequent absence of internal cavities makes foot extremely cleanable. The threaded insert guarantees the protection of the spindle thread. Feet with M12 spindle diameter are supplied with hexagonal adjustment for 17 mm. wrench.

Washers UNI 6592-69 - Box quantity: 24 pieces.



$\varnothing M$	M12	M14	M16	M20	M24	M30
Smm	2,5	2,5	3	3	4	4
$\varnothing A$ mm	24	28	30	37	44	56
Stainless steel codes	7287	7288	7291	7292	7294	7296

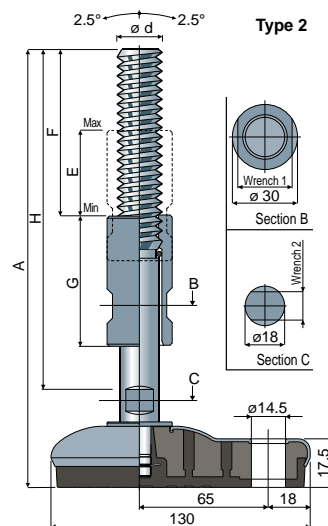
Nuts UNI 5588-65 - Box quantity: 24 pieces.



$\varnothing d$	M12	M14	M16	M20	M24	M30
Smm	10	11	13	16	19	24
Ch. mm	19	22	24	30	36	46
Stainless steel codes	7273	7274	7277	7278	7280	7282

On request

- Spindles with: Sunk hexagon head • second wrench seat head • hexagon wrench seat • threads with other pitches and lengths • stainless steel AISI 316.
- Box quantity: Not standard.
- Assembling of: Nuts • washers.



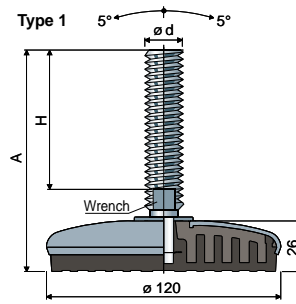
Type 2											
Spindle measures in mm				Spindle and base in stainless steel AISI 304							
$\varnothing d$	A	H	F	E	G	Wrench 1	Wrench 2	Black anti-slip pad Code	White anti-slip pad Code	Blue Ral 5005 anti-slip pad Code	Max static load (N)
M16x2	200	159	73	39	60	22	12	112 / 88040	112 / 88042	112 / 88254	27000
	260	220	100	78	100	22	12	112 / 88041	112 / 88043	112 / 88255	
M20x2,5	200	159	73	39	60	25	13	112 / 84135	112 / 85944	112 / 88256	
	260	220	100	78	100	25	13	112 / 84193	112 / 85945	112 / 88257	
M24x3	200	159	73	39	60	30	17	112 / 88044	112 / 88046	112 / 88258	
	260	220	100	78	100	30	17	112 / 88045	112 / 88047	112 / 88259	

Adjustable feet, sanitizable

(base in stainless steel)

Ø 120 Part. 110

Type 1							
Spindle measures in mm				Spindle and base in stainless steel AISI 304			
Ød	A	H	Wrench	Black anti-slip pad	White anti-slip pad	Blue Ral 5005 anti-slip pad	Max static load (N)
				Code	Code	Code	
M12x1,75	109	70	17	110 / 83574	110 / 85949	110 / 88260	17000
M14x2	148	108	12	110 / 83575	110 / 85950	110 / 88261	
M16x2	102	58	13	110 / 83576	110 / 85951	110 / 88262	
	163	119	13	110 / 83577	110 / 85952	110 / 88263	
	189	145	13	110 / 83578	110 / 85953	110 / 88264	
M18x2,5	245	201	13	110 / 83579	110 / 85954	110 / 88265	30000
	201	157	15	110 / 83580	110 / 85955	110 / 88266	
	135	89	17	110 / 87343	110 / 87344	110 / 88267	
M20x2,5	153	107	17	110 / 83581	110 / 85956	110 / 88268	30000
	182	136	17	110 / 83582	110 / 85957	110 / 88269	
	203	157	17	110 / 83583	110 / 85958	110 / 88270	
M24x3	236	190	17	110 / 83584	110 / 85959	110 / 88271	30000
	284	238	17	110 / 83585	110 / 85960	110 / 88272	
	139	90	19	110 / 83586	110 / 85961	110 / 88273	
M30x3,5	176	127	19	110 / 83587	110 / 85962	110 / 88274	30000
	211	162	19	110 / 83588	110 / 85963	110 / 88275	
	250	201	19	110 / 83589	110 / 85964	110 / 88276	
M30x3,5	174	125	24	110 / 83590	110 / 85965	110 / 88277	30000
	234	185	24	110 / 83591	110 / 85966	110 / 88278	

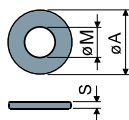


Base material: Internal part made of reinforced polyamide; external covering made of stainless steel AISI 304; anti-slip pad made of thermoplastic rubber 68 Shore black, white or blue Ral 5005 colour.

Box quantity: 8 pieces.

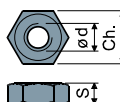
Features: Co-moulded anti-slip pad allows a perfect adherence with steel base. Consequent absence of internal cavities makes foot extremely cleanable. The threaded insert guarantees the protection of the spindle thread. Feet with M12 spindle diameter are supplied with hexagonal adjustment for 17 mm. wrench.

Washers UNI 6592-69 - Box quantity: 24 pieces.



ØM	M12	M14	M16	M20	M24	M30
Smm	2,5	2,5	3	3	4	4
ØAmm	24	28	30	37	44	56
Stainless steel codes	7287	7288	7291	7292	7294	7296

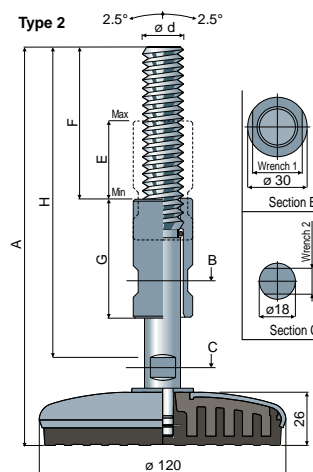
Nuts UNI 5588-65 - Box quantity: 24 pieces.



Ø d	M12	M14	M16	M20	M24	M30
Smm	10	11	13	16	19	24
Ch. mm	19	22	24	30	36	46
Stainless steel codes	7273	7274	7277	7278	7280	7282

On request

- Spindles with: Sunk hexagon head • second wrench seat head • hexagon wrench seat • threads with other pitches and lengths • stainless steel AISI 316.
- Box quantity: Not standard.
- Assembling of: Nuts • washers.

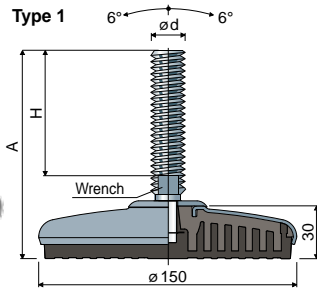


Type 2											
Spindle measures in mm				Spindle and base in stainless steel AISI 304							
Ød	A	H	F	E	G	Wrench 1	Wrench 2	Black anti-slip pad	White anti-slip pad	Blue Ral 5005 anti-slip pad	Max static load (N)
								Code	Code	Code	
M16x2	200	159	73	39	60	22	12	110 / 88048	110 / 88050	110 / 88279	30000
	260	220	100	78	100	22	12	110 / 88049	110 / 88051	110 / 88280	
M20x2,5	200	159	73	39	60	25	13	110 / 84136	110 / 85967	110 / 88281	
	260	220	100	78	100	25	13	110 / 84195	110 / 85968	110 / 88282	
M24x3	200	159	73	39	60	30	17	110 / 88052	110 / 88054	110 / 88283	
	260	220	100	78	100	30	17	110 / 88053	110 / 88055	110 / 88284	

Adjustable feet, sanitizable

(base in stainless steel)

Part. **126** \varnothing **150**



		Type 1					
		Spindle and base in stainless steel AISI 304					
ø d	A	H	Wrench	Black	White	Blue Ral 5005	Max static load (N)
				anti-slip pad	anti-slip pad	anti-slip pad	
				Code	Code	Code	
M20x2,5	139	89	17	126 / 87345	126 / 87346	126 / 88285	40000
	157	107	17	126 / 86037	126 / 86042	126 / 88286	
	186	136	17	126 / 86038	126 / 86043	126 / 88287	
	207	157	17	126 / 86039	126 / 86044	126 / 88288	
240	190	17	126 / 86040	126 / 86045	126 / 88289		
288	238	17	126 / 86041	126 / 86046	126 / 88290		
M24x3	145	90	19	126 / 86052	126 / 86056	126 / 88291	
	182	127	19	126 / 86053	126 / 86057	126 / 88292	
	217	162	19	126 / 86054	126 / 86058	126 / 88293	
M30x3,5	257	202	19	126 / 86055	126 / 86059	126 / 88294	
	172	125	24	126 / 86060	126 / 86062	126 / 88295	
	232	185	24	126 / 86061	126 / 86063	126 / 88296	

Base material: Internal part made of reinforced polyamide; external covering made of stainless steel AISI 304; anti-slip pad made of thermoplastic rubber 68 Shore black, white or blue Ral 5005 colour.

Box quantity: 8 pieces.

Features: Co-moulded anti-slip pad allows a perfect adherence with steel base. Consequent absence of internal cavities makes foot extremely cleanable. The threaded insert guarantees the protection of the spindle thread.

Washers UNI 6592-69 - Box quantity: 24 pieces.

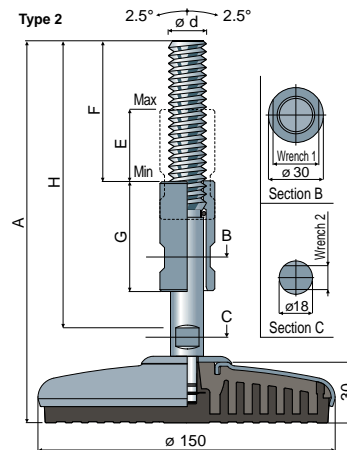
ø M	M20	M24	M30
Smm	3	4	4
ø A mm	37	44	56
Stainless steel codes	7292	7294	7296

Nuts UNI 5588-65 - Box quantity: 24 pieces.

ø d	M20	M24	M30
Smm	16	19	24
Ch. mm	30	36	46
Stainless steel codes	7278	7280	7282

On request

- Spindles with: Sunk hexagon head • second wrench seat head • hexagon wrench seat • threads with other pitches and lengths • stainless steel AISI 316.
- Box quantity: Not standard.
- Assembling of: Nuts • washers.

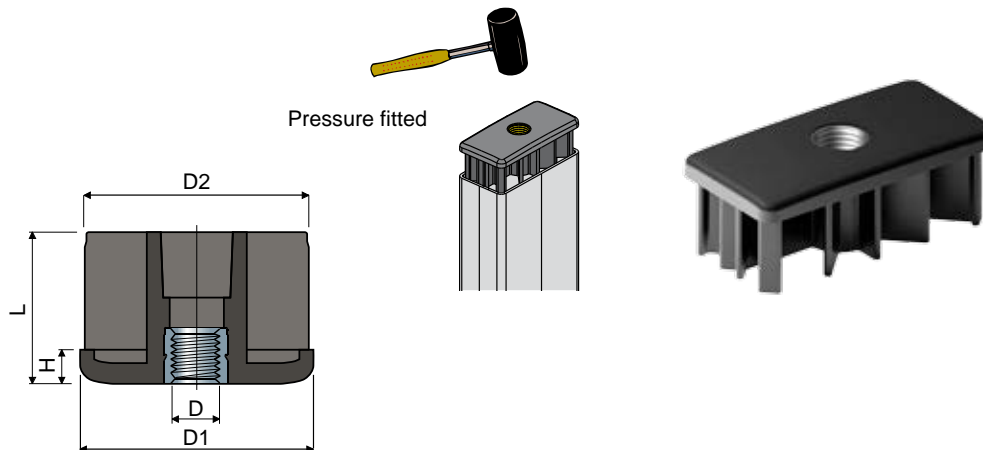


		Type 2									
		Spindle measures in mm					Spindle and base in stainless steel AISI 304				
ø d	A	H	F	E	G	Wrench 1	Wrench 2	Black	White	Blue Ral 5005	Max static load (N)
								anti-slip pad	anti-slip pad	anti-slip pad	
								Code	Code	Code	
M16x2	204	159	73	39	60	22	12	126 / 88056	126 / 88058	126 / 88297	40000
	264	220	100	78	100	22	12	126 / 88057	126 / 88059	126 / 88298	
M20x2,5	204	159	73	39	60	25	13	126 / 86047	126 / 86049	126 / 88299	
	264	220	100	78	100	25	13	126 / 86048	126 / 86050	126 / 88300	
M24x3	204	159	73	39	60	30	17	126 / 88060	126 / 88062	126 / 88301	
	264	220	100	78	100	30	17	126 / 88061	126 / 88063	126 / 88302	

Threaded bushings

(for rectangular tubes)

Part. **82**



Tube dimensions			Thread	D1	D2	H	L	Code	Max static load (N)
Outside (mm)	Thickness (mm)	Inside (mm)							
20x50	2	16x46	M8	20x50	16x46	5	38	82 / 80325	4500
30x60	2,5	25x55	M8	30x60	25x55	8	38	82 / 82173	4500
			M10	30x60	25x55	8	38	82 / 82175	5000
			M12	30x60	25x55	8	38	82 / 82176	5500
			M14	30x60	25x55	8	38	82 / 82177	6000
40x60	2	36x56	M16	30x60	25x55	8	38	82 / 82174	6500
			M14	40x60	36x56	10	45	82 / 85141	8500
			M16	40x60	36x56	10	45	82 / 84309	9000
40x80	1,5	37x77	M20	40x60	36x56	10	45	82 / 84311	9500
			M14	40x80	37x77	10	45	82 / 82973	8500
			M16	40x80	37x77	10	45	82 / 82975	9000
	2	36x76	M20	40x80	37x77	10	45	82 / 82977	9500
			M14	40x80	36x76	10	45	82 / 82180	8500
			M16	40x80	36x76	10	45	82 / 80326	9000
3	34x74	M20	40x80	36x76	10	45	82 / 80327	9500	
		M14	40x80	34x74	10	45	82 / 82590	8500	
		M16	40x80	34x74	10	45	82 / 82516	9000	
50x100	2	46x96	M20	40x80	34x74	10	45	82 / 82591	9500
			M14	50x100	46x96	10	45	82 / 82181	8500
			M16	50x100	46x96	10	45	82 / 80693	9000
	3	44x94	M20	50x100	46x96	10	45	82 / 80694	9500
			M14	50x100	44x94	10	45	82 / 82182	9000
			M16	50x100	44x94	10	45	82 / 82178	9500
50x150	3	44x144	M20	50x100	44x94	10	45	82 / 82179	10000
			M14	50x150	44x144	10	45	82 / 82183	9000
			M16	50x150	44x144	10	45	82 / 80211	9500
60x120	3	54x114	M20	50x150	44x144	10	45	82 / 80212	10000
			M14	60x120	54x114	10	45	82 / 82184	9000
			M16	60x120	54x114	10	45	82 / 80209	9500
			M20	60x120	54x114	10	45	82 / 80210	10000

Materials: Bush in reinforced polyamide black colour; threaded insert in nickel plated brass.

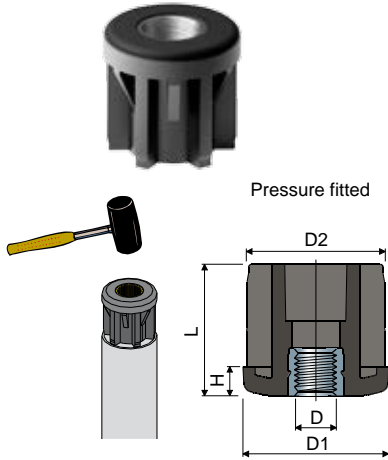
Box quantity: 24 pieces.

On request

- **Bushes:** Can be supplied with thread in inches (1/4"-20, 5/16"-18, 3/8"-16, 1/2"-13, 5/8"-11, 3/4"-10, 1"-8, etc.); With different thicknesses and colours.
- **Box quantity:** According to your request.

Threaded bushings (for round tubes)

Part. **64**



		Tube dimensions							Code	Max static load (N)
Outside ø	Thickness	Inside ø	Thread	D1	D2	H	L			
(mm)	(mm)	(mm)	D	(mm)	(mm)	(mm)	(mm)			
20	-	2	16	M8	20	16	5	23	64 / 83916	4500
				M8	25	21	5	25	64 / 83917	4500
25	-	2	21	M10	25	21	6	26	64 / 83918	5000
				M12	25	21	6	26	64 / 85142	5500
-	1	28	M8	30	28	6	31	64 / 7802	4500	
			M10	30	28	6	31	64 / 7803	5000	
			M12	30	28	6	31	64 / 7804	5500	
			M14	30	28	6	31	64 / 7805	6000	
			M16	30	28	6	31	64 / 7806	6500	
-	1,5	27	M8	30	27	6	31	64 / 80857	4500	
			M10	30	27	6	31	64 / 80858	5000	
			M12	30	27	6	31	64 / 80859	5500	
			M14	30	27	6	31	64 / 80860	6000	
			M16	30	27	6	31	64 / 80861	6500	
30	-	26	M8	30	26	6	31	64 / 80862	4500	
			M10	30	26	6	31	64 / 80863	5000	
			M12	30	26	6	31	64 / 80864	5500	
			M14	30	26	6	31	64 / 80865	6000	
			M16	30	26	6	31	64 / 80866	6500	
-	2,5	25	M8	30	25	6	31	64 / 80867	4500	
			M10	30	25	6	31	64 / 80868	5000	
			M12	30	25	6	31	64 / 80869	5500	
			M14	30	25	6	31	64 / 80870	6000	
			M16	30	25	6	31	64 / 80871	6500	
32	-	2	28	M8	32	28	6	31	64 / 83919	4500
				M10	32	28	6	31	64 / 83920	5000
				M12	32	28	6	31	64 / 85143	5500
33,7	-	1,5	30,7	M8	33,7	30,7	6	31	64 / 87864	4500
				M10	33,7	30,7	6	31	64 / 87866	5000
				M12	33,7	30,7	6	31	64 / 87868	5500
35	-	2	31	M8	35	31	6	31	64 / 85144	4500
				M10	35	31	6	31	64 / 83921	5000
				M12	35	31	6	31	64 / 83922	5500
-	1,5	35	M8	38	35	8	38	64 / 7882	4500	
			M10	38	35	8	38	64 / 7210	5000	
			M12	38	35	8	38	64 / 7211	5500	
			M14	38	35	8	38	64 / 7212	6000	
			M16	38	35	8	38	64 / 7213	6500	
38	-	2	34	M8	38	34	8	38	64 / 81015	4500
				M10	38	34	8	38	64 / 81016	5000
				M12	38	34	8	38	64 / 80873	5500
				M14	38	34	8	38	64 / 80874	6000
				M16	38	34	8	38	64 / 80875	6500
-	2,5	33	M8	38	34	8	38	64 / 82083	4500	
			M10	38	34	8	38	64 / 80876	5000	
			M12	38	34	8	38	64 / 80877	5500	
			M14	38	34	8	38	64 / 80878	6000	
			M16	38	34	8	38	64 / 80879	6500	
40	-	3	34	M8	40	34	8	38	64 / 85145	4500
				M10	40	34	8	38	64 / 83923	5000
				M12	40	34	8	38	64 / 83924	5500
42	-	3	36	M8	42	36	8	38	64 / 85146	5000
				M10	42	36	8	38	64 / 83934	5000
				M12	42	36	8	38	64 / 83911	5500
-	1,5	39,4	M8	42,4	39,4	8	38	64 / 7883	6500	
			M10	42,4	39,4	8	38	64 / 7214	7000	
			M12	42,4	39,4	8	38	64 / 7215	7500	
			M14	42,4	39,4	8	38	64 / 7216	8000	
			M16	42,4	39,4	8	38	64 / 7217	8500	
			M20	42,4	39,4	8	38	64 / 7218	9000	
42,4	11/4	2	38,4	M8	42,4	38,4	8	38	64 / 81017	6500
				M10	42,4	38,4	8	38	64 / 80880	7000
				M12	42,4	38,4	8	38	64 / 80881	7500
				M14	42,4	38,4	8	38	64 / 80882	8000
				M16	42,4	38,4	8	38	64 / 80883	8500
				M20	42,4	38,4	8	38	64 / 80884	9000
-	2,5	37,4	M8	42,4	37,4	8	38	64 / 82084	6500	
			M10	42,4	37,4	8	38	64 / 80885	7000	
			M12	42,4	37,4	8	38	64 / 80886	7500	
			M14	42,4	37,4	8	38	64 / 80887	8000	
			M16	42,4	37,4	8	38	64 / 80888	8500	
			M20	42,4	37,4	8	38	64 / 80889	9000	
45	-	3	39	M8	45	39	8	38	64 / 85147	6500
				M10	45	39	8	38	64 / 85148	7000
				M12	45	39	8	38	64 / 83925	7500
				M14	45	39	8	38	64 / 85149	8000
				M16	45	39	8	38	64 / 83926	8500
48	-	3	42	M8	48	42	10	45	64 / 85150	7000
				M10	48	42	10	45	64 / 85151	7500
				M12	48	42	10	45	64 / 83912	8000
				M14	48	42	10	45	64 / 85152	8500
				M16	48	42	10	45	64 / 83913	9000

Threaded bushings (for round tubes)

Part. **64**

Tube dimensions		Thickness (mm)	Inside ø (mm)	Thread D	D1 (mm)	D2 (mm)	H (mm)	L (mm)	Code	Max static load (N)	
Outside ø (mm)	(inches)										
48,3	11/2	1,2	45,8	M14	48,3	45,8	10	45	64 / 85522	8500	
				M16	48,3	45,8	10	45	64 / 85520	9000	
				M8	48,3	45,3	10	45	64 / 7930	7000	
				M10	48,3	45,3	10	45	64 / 7614	7500	
				M12	48,3	45,3	10	45	64 / 7219	8000	
				M14	48,3	45,3	10	45	64 / 7220	8500	
		1,5	45,3	M16	48,3	45,3	10	45	64 / 7221	9000	
				M20	48,3	45,3	10	45	64 / 7222	9500	
				M8	48,3	44,3	10	45	64 / 81018	7000	
				M10	48,3	44,3	10	45	64 / 81019	7500	
				M12	48,3	44,3	10	45	64 / 80890	8000	
				M14	48,3	44,3	10	45	64 / 80891	8500	
	2	44,3	M16	48,3	44,3	10	45	64 / 80892	9000		
			M20	48,3	44,3	10	45	64 / 80893	9500		
			M8	48,3	43,3	10	45	64 / 81020	7000		
			M10	48,3	43,3	10	45	64 / 81021	7500		
			M12	48,3	43,3	10	45	64 / 80894	8000		
			M14	48,3	43,3	10	45	64 / 80895	8500		
	2,5	43,3	M16	48,3	43,3	10	45	64 / 80896	9000		
			M20	48,3	43,3	10	45	64 / 80897	9500		
			M8	50	47	10	45	64 / 81022	7000		
			M10	50	47	10	45	64 / 81023	7500		
			M12	50	47	10	45	64 / 81024	8000		
			M14	50	47	10	45	64 / 81025	8500		
50	-	1,5	47	M16	50	47	10	45	64 / 81026	9000	
				M20	50	47	10	45	64 / 80953	9500	
				M8	50	44	10	45	64 / 85153	7000	
				M10	50	44	10	45	64 / 85154	7500	
				M12	50	44	10	45	64 / 83914	8000	
				M14	50	44	10	45	64 / 85155	8500	
	3	44	M16	50	44	10	45	64 / 83915	9000		
			M20	50	44	10	45	64 / 85156	9500		
			M8	50,9	47,9	10	45	64 / 81027	7000		
			M10	50,9	47,9	10	45	64 / 81028	7500		
			M12	50,9	47,9	10	45	64 / 80898	8000		
			M14	50,9	47,9	10	45	64 / 80899	8500		
50,9	-	1,5	47,9	M16	50,9	47,9	10	45	64 / 80900	9000	
				M20	50,9	47,9	10	45	64 / 80901	9500	
				M8	50,9	46,9	10	45	64 / 81029	7000	
				M10	50,9	46,9	10	45	64 / 81030	7500	
				M12	50,9	46,9	10	45	64 / 80902	8000	
				M14	50,9	46,9	10	45	64 / 80903	8500	
	2	46,9	M16	50,9	46,9	10	45	64 / 80904	9000		
			M20	50,9	46,9	10	45	64 / 80905	9500		
			M8	50,9	45,9	10	45	64 / 82085	7000		
			M10	50,9	45,9	10	45	64 / 82086	7500		
			M12	50,9	45,9	10	45	64 / 80906	8000		
			M14	50,9	45,9	10	45	64 / 80907	8500		
-	2,5	45,9	M16	50,9	45,9	10	45	64 / 80908	9000		
			M20	50,9	45,9	10	45	64 / 80909	9500		
			M8	60,3	57,9	12	52	64 / 82889	7000		
			M10	60,3	57,9	12	52	64 / 82890	7500		
			M12	60,3	57,9	12	52	64 / 82891	8000		
			M14	60,3	57,9	12	52	64 / 82892	8500		
	60,3	2	1,2	57,9	M16	60,3	57,9	12	52	64 / 82893	9000
					M20	60,3	57,9	12	52	64 / 82894	9500
					M24	60,3	57,9	12	52	64 / 82895	10000
					M8	60,3	57,3	12	52	64 / 7932	7000
					M10	60,3	57,3	12	52	64 / 7615	7500
					M12	60,3	57,3	12	52	64 / 7616	8000
1,5			57,3	M14	60,3	57,3	12	52	64 / 7617	8500	
				M16	60,3	57,3	12	52	64 / 7223	9000	
				M20	60,3	57,3	12	52	64 / 7224	9500	
				M24	60,3	57,3	12	52	64 / 7225	10000	
				M8	60,3	56,3	12	52	64 / 7934	7000	
				M10	60,3	56,3	12	52	64 / 7618	7500	
2		56,3	M12	60,3	56,3	12	52	64 / 7619	8000		
			M14	60,3	56,3	12	52	64 / 7620	8500		
			M16	60,3	56,3	12	52	64 / 7226	9000		
			M20	60,3	56,3	12	52	64 / 7227	9500		
			M24	60,3	56,3	12	52	64 / 7228	10000		
			M8	60,3	55,3	12	52	64 / 7935	7000		
2,5		55,3	M10	60,3	55,3	12	52	64 / 7621	7500		
			M12	60,3	55,3	12	52	64 / 7622	8000		
			M14	60,3	55,3	12	52	64 / 7623	8500		
			M16	60,3	55,3	12	52	64 / 7229	9000		
			M20	60,3	55,3	12	52	64 / 7230	9500		
			M24	60,3	55,3	12	52	64 / 7231	10000		

Materials: Bush in reinforced polyamide black colour;
threaded insert in nickel plated brass.

Box quantity: 24 pieces.

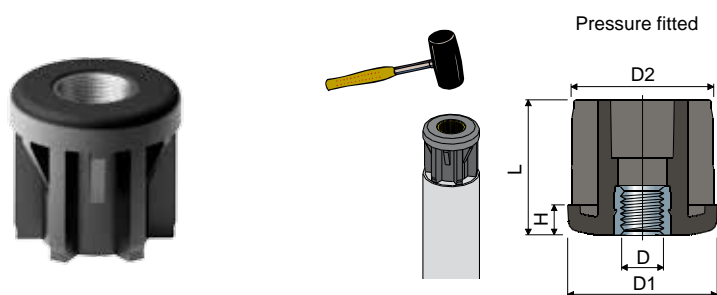
On request

- Bushes: With different thicknesses and colours.
- Box quantity: According to your request.

Threaded bushings

(for round tubes: sizes and threads in Inches)

Part. 64



Tube dimensions		Thickness		Inside ø (mm)	Thread D		D1 (mm)	D2 (mm)	H (mm)	L (mm)	Code	Max static load (N)
Outside ø (inches)	(mm)	(inches)	(mm)		(UNC)	(mm)						
1"	(25,4)	0,083"	(2,1)	21,18	1/4"-20	(6,35)	25,2	21,18	6	26	64 / 82730	4500
					5/16"-18	(7,93)	25,2	21,18	6	26	64 / 82731	4500
1"1/4	(31,75)	0,083"	(2,1)	27,53	3/8"-16	(9,52)	31,5	27,53	6	31	64 / 82732	5000
					1/2"-13	(12,7)	31,5	27,53	6	31	64 / 82733	5000
					5/8"-11	(15,87)	31,5	27,53	6	31	64 / 82734	6500
1"1/2	(38,1)	0,065"	(1,65)	34,8	3/8"-16	(9,52)	38	34,8	8	38	64 / 82695	5000
					1/2"-13	(12,7)	38	34,8	8	38	64 / 82696	5000
					5/8"-11	(15,87)	38	34,8	8	38	64 / 82697	6500
		0,083"	(2,1)	33,89	3/4"-10	(19,05)	38	34,8	8	38	64 / 82698	9000
					3/8"-16	(9,52)	38	33,89	8	38	64 / 82735	5000
					1/2"-13	(12,7)	38	33,89	8	38	64 / 82736	5000
1"3/4	(44,45)	0,12"	(3,04)	38,35	5/8"-11	(15,87)	38	33,89	8	38	64 / 82737	6500
					3/4"-10	(19,05)	38	33,89	8	38	64 / 82738	9000
					5/8"-11	(15,87)	44,2	38,35	8	38	64 / 82740	6500
					3/4"-10	(19,05)	44,2	38,35	8	38	64 / 82741	9000
					1"-8	(25,4)	44,2	38,35	8	38	64 / 82739	10000
					3/8"-16	(9,52)	50,6	47,5	10	45	64 / 82703	5000
2"	(50,8)	0,065"	(1,65)	47,5	1/2"-13	(12,7)	50,6	47,5	10	45	64 / 82704	5000
					5/8"-11	(15,87)	50,6	47,5	10	45	64 / 82705	6500
					3/4"-10	(19,05)	50,6	47,5	10	45	64 / 82706	9000
		0,109"	(2,77)	45,26	3/8"-16	(9,52)	50,6	45,26	10	45	64 / 82699	5000
					1/2"-13	(12,7)	50,6	45,26	10	45	64 / 82700	5000
					5/8"-11	(15,87)	50,6	45,26	10	45	64 / 82701	6500
0,156"	(3,96)	42,88	3/4"-10	(19,05)	50,6	45,26	10	45	64 / 82702	9000		
			5/8"-11	(15,87)	50,6	42,88	10	45	64 / 82742	6500		
			3/4"-10	(19,05)	50,6	42,88	10	45	64 / 82743	9000		
2"1/2	(63,5)	0,156"	(3,96)	55,58	1"-8	(25,4)	50,6	42,88	10	45	64 / 82744	10000
					5/8"-11	(15,87)	63,3	55,58	12	52	64 / 82745	6500
					3/4"-10	(19,05)	63,3	55,58	12	53	64 / 82746	9000
					1"-8	(25,4)	63,3	55,58	12	52	64 / 82747	10000

Materials: Bush in reinforced polyamide black colour; threaded insert in nickel plated brass.

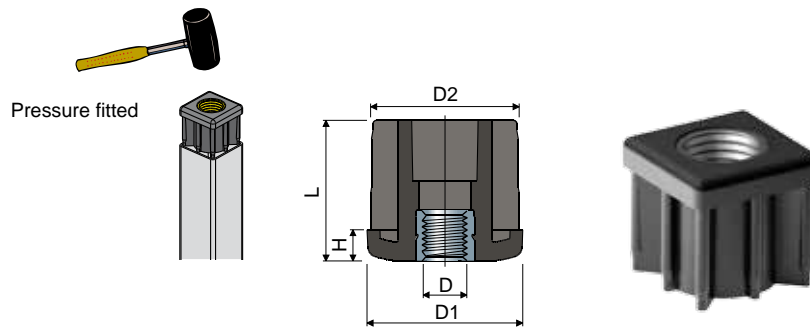
Box quantity: 24 pieces.

On request

- Bushes: With different thicknesses and colours.
- Box quantity: According to your request.

Threaded bushings

(for square tubes)



Part. **68**

Tube dimensions								Code	Max static load (N)
Outside (mm)	Thickness (mm)	Inside (mm)	Thread D	D1 (mm)	D2 (mm)	H (mm)	L (mm)		
20	1,5	17	M8	20	17	5	23	68 / 7758	4500
	2	16	M8	20	16	5	23	68 / 83927	4500
25	1,5	22	M8	25	22	6	26	68 / 7807	4500
			M10	25	22	6	26	68 / 7808	5000
			M12	25	22	6	26	68 / 7809	5500
	2	21	M8	25	21	6	26	68 / 83928	4500
			M10	25	21	6	26	68 / 83929	5000
			M12	25	21	6	26	68 / 85157	5500
30	1,5	27	M8	30	27	6	31	68 / 7936	4500
			M10	30	27	6	31	68 / 7232	5000
			M12	30	27	6	31	68 / 7233	5500
	2	26	M14	30	27	6	31	68 / 7234	6000
			M16	30	27	6	31	68 / 7235	6500
			M8	30	26	6	31	68 / 81031	4500
35	1,5	32	M10	30	26	6	31	68 / 7817	5000
			M12	30	26	6	31	68 / 7818	5500
			M14	30	26	6	31	68 / 80913	6000
			M16	30	26	6	31	68 / 80914	6500
			M8	35	32	8	38	68 / 7937	6500
			M10	35	32	8	38	68 / 7236	7000
	2	31	M12	35	32	8	38	68 / 7237	7500
			M14	35	32	8	38	68 / 7238	8000
			M16	35	32	8	38	68 / 7239	8500
			M20	35	32	8	38	68 / 7240	9000
			M8	35	31	8	38	68 / 80163	6500
			M10	35	31	8	38	68 / 80036	7000
40	1,2	37,6	M12	35	31	8	38	68 / 80164	7500
			M14	35	31	8	38	68 / 80165	8000
			M16	35	31	8	38	68 / 80172	8500
			M20	35	31	8	38	68 / 80173	9000
			M8	40	37,6	8	38	68 / 80714	7000
			M10	40	37,6	8	38	68 / 80715	7500
	1,5	37	M12	40	37,6	8	38	68 / 80716	8000
			M14	40	37,6	8	38	68 / 80717	8500
			M16	40	37,6	8	38	68 / 80546	9000
			M20	40	37,6	8	38	68 / 80718	9500
			M8	40	37	8	38	68 / 7938	7000
			M10	40	37	8	38	68 / 7241	7500
2	36	M12	40	37	8	38	68 / 7242	8000	
		M14	40	37	8	38	68 / 7243	8500	
		M16	40	37	8	38	68 / 7244	9000	
		M20	40	37	8	38	68 / 7245	9500	
		M8	40	36	8	38	68 / 7939	7000	
		M10	40	36	8	38	68 / 7246	7500	
2,5	35	M12	40	36	8	38	68 / 7247	8000	
		M14	40	36	8	38	68 / 7248	8500	
		M16	40	36	8	38	68 / 7249	9000	
		M20	40	36	8	38	68 / 7250	9500	
		M8	40	35	8	38	68 / 80915	7000	
		M10	40	35	8	38	68 / 80916	7500	
2,5	35	M12	40	35	8	38	68 / 80917	8000	
		M14	40	35	8	38	68 / 80918	8500	
		M16	40	35	8	38	68 / 80919	9000	
		M20	40	35	8	38	68 / 80920	9500	

Threaded bushings

(for square tubes)

Part. 68

Tube dimensions								Code	Max static load (N)
Outside (mm)	Thickness (mm)	Inside (mm)	Thread D	D1 (mm)	D2 (mm)	H (mm)	L (mm)		
40	3	34	M8	40	34	8	38	68 / 85158	7000
			M10	40	34	8	38	68 / 83930	7500
			M12	40	34	8	38	68 / 83931	8000
			M14	40	34	8	38	68 / 85090	8500
			M16	40	34	8	38	68 / 85091	9000
			M20	40	34	8	38	68 / 85092	9500
45	2	41	M8	45	41	8	38	68 / 82118	7000
			M10	45	41	8	38	68 / 82119	7500
			M12	45	41	8	38	68 / 82120	8000
			M14	45	41	8	38	68 / 82121	8500
			M16	45	41	8	38	68 / 82122	9000
			M20	45	41	8	38	68 / 82123	9500
45	3	39	M8	45	39	8	38	68 / 85159	7000
			M10	45	39	8	38	68 / 85160	7500
			M12	45	39	8	38	68 / 83932	8000
			M14	45	39	8	38	68 / 85161	8500
			M16	45	39	8	38	68 / 83933	9000
			M20	45	39	8	38	68 / 85162	9500
50	1,2	47,6	M8	50	47,6	10	45	68 / 80921	7000
			M10	50	47,6	10	45	68 / 80922	7500
			M12	50	47,6	10	45	68 / 80923	8000
			M14	50	47,6	10	45	68 / 80924	8500
			M16	50	47,6	10	45	68 / 80925	9000
			M20	50	47,6	10	45	68 / 80926	9500
50	1,5	47	M8	50	47	10	45	68 / 7940	7000
			M10	50	47	10	45	68 / 7624	7500
			M12	50	47	10	45	68 / 7251	8000
			M14	50	47	10	45	68 / 7252	8500
			M16	50	47	10	45	68 / 7253	9000
			M20	50	47	10	45	68 / 7254	9500
50	2	46	M8	50	46	10	45	68 / 7941	7000
			M10	50	46	10	45	68 / 7625	7500
			M12	50	46	10	45	68 / 7255	8000
			M14	50	46	10	45	68 / 7256	8500
			M16	50	46	10	45	68 / 7257	9000
			M20	50	46	10	45	68 / 7258	9500
50	2,5	45	M8	50	45	10	45	68 / 7942	7000
			M10	50	45	10	45	68 / 7626	7500
			M12	50	45	10	45	68 / 7259	8000
			M14	50	45	10	45	68 / 7260	8500
			M16	50	45	10	45	68 / 7261	9000
			M20	50	45	10	45	68 / 7262	9500
60	3	44	M8	50	44	10	45	68 / 82080	7000
			M10	50	44	10	45	68 / 80927	7500
			M12	50	44	10	45	68 / 80928	8000
			M14	50	44	10	45	68 / 80929	8500
			M16	50	44	10	45	68 / 80930	9000
			M20	50	44	10	45	68 / 80931	9500
60	2	56	M8	60	56	10	45	68 / 81032	7000
			M10	60	56	10	45	68 / 80932	7500
			M12	60	56	10	45	68 / 80933	8000
			M14	60	56	10	45	68 / 80934	8500
			M16	60	56	10	45	68 / 80935	9000
			M20	60	56	10	45	68 / 80936	9500
60	3	54	M8	60	54	10	45	68 / 82081	7000
			M10	60	54	10	45	68 / 80937	7500
			M12	60	54	10	45	68 / 80938	8000
			M14	60	54	10	45	68 / 80939	8500
			M16	60	54	10	45	68 / 80940	9000
			M20	60	54	10	45	68 / 80941	9500
80	3	74	M14	80	74	10	45	68 / 85163	8500
			M16	80	74	10	45	68 / 82082	9000
			M20	80	74	10	45	68 / 82013	9500

Material: Bush in reinforced polyamide black colour; threaded insert in nickel plated brass.

Box quantity: 24 pieces.

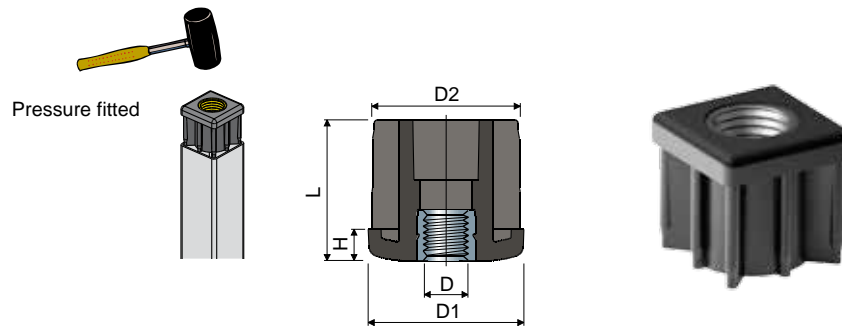
On request

- Bushes: With different thicknesses and colours.
- Box quantity: According to your request.

Threaded bushings

(for square tubes: sizes and threads in Inches)

Part. **68**



Tube dimensions										Code	Max static load (N)	
Outside (inches)	Outside (mm)	Thickness (inches)	Thickness (mm)	Inside (mm)	Thread (UNC)	Thread (mm)	D1 (mm)	D2 (mm)	H (mm)			L (mm)
1" 1/2	(38,1)	0,065"	(1,65)	34,8	3/8"-16	(9,52)	38	34,8	8	38	68 / 82707	5000
					1/2"-13	(12,7)	38	34,8	8	38	68 / 82708	5000
					5/8"-11	(15,87)	38	34,8	8	38	68 / 82709	6500
					3/4"-10	(19,05)	38	34,8	8	38	68 / 82710	9000
1"	(25,4)	0,12"	(3,05)	32	3/8"-16	(9,52)	38	32	8	38	68 / 82711	5000
					1/2"-13	(12,7)	38	32	8	38	68 / 82712	5000
					5/8"-11	(15,87)	38	32	8	38	68 / 82713	6500
					3/4"-10	(19,05)	38	32	8	38	68 / 82714	9000
1 1/4"	(31,8)	0,065"	(1,65)	47,5	3/8"-16	(9,52)	50,6	47,5	10	45	68 / 82715	5000
					1/2"-13	(12,7)	50,6	47,5	10	45	68 / 82716	5000
					5/8"-11	(15,87)	50,6	47,5	10	45	68 / 82717	6500
					3/4"-10	(19,05)	50,6	47,5	10	45	68 / 82718	9000
2"	(50,8)	0,109"	(2,77)	45,26	3/8"-16	(9,52)	50,6	45,26	10	45	68 / 82719	5000
					1/2"-13	(12,7)	50,6	45,26	10	45	68 / 82720	5000
					5/8"-11	(15,87)	50,6	45,26	10	45	68 / 82721	6500
					3/4"-10	(19,05)	50,6	45,26	10	45	68 / 82722	9000
1 3/4"	(44,5)	0,12"	(3,05)	44,7	3/8"-16	(9,52)	50,6	44,7	10	45	68 / 82726	5000
					1/2"-13	(12,7)	50,6	44,7	10	45	68 / 82727	5000
					5/8"-11	(15,87)	50,6	44,7	10	45	68 / 82728	6500
					3/4"-10	(19,05)	50,6	44,7	10	45	68 / 82729	9000

Materials: Bush in reinforced polyamide black colour; threaded insert in nickel plated brass.

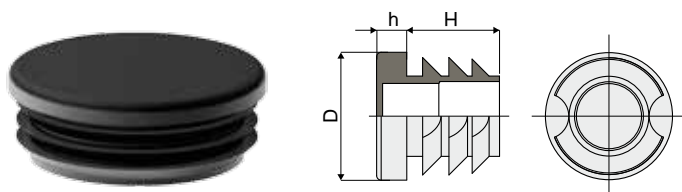
Box quantity: 24 pieces.

On request

- Bushes: With different thicknesses and colours.
- Box quantity: According to your request.

Closing caps

Part. 116 Closing cap, round



Code	Dimensions			Tube thickness	
	D (mm)	h (mm)	H (mm)	Min. (mm)	Max. (mm)
116 / 84153	38	5	11,5	1	3,5
116 / 84154	42,4	5	11,5	1	2,5
116 / 84155	48,3	5	11,5	1,2	3,6
116 / 84156	60	5	18,5	1,5	3

MATERIALS: Cap in black polyethylene.

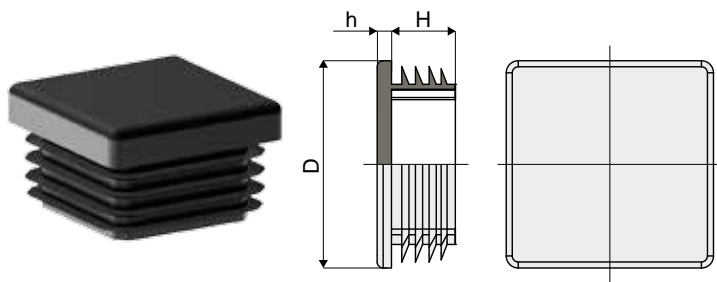
FEATURES: To be assembled to the tubes edges.

BOX QUANTITY: 96 pieces.

ON REQUEST:

- Box quantities: According to your request.

Part. 117 Closing cap, square



Code	Dimensions			Tube thickness	
	D (mm)	h (mm)	H (mm)	Min. (mm)	Max. (mm)
117 / 84157	25	5	11,5	1	3
117 / 84158	30	5	11,5	1	2,5
117 / 84159	35	5	14,5	1	3
117 / 84160	40	5	14,5	1	3
117 / 84161	50	5	14,5	1	2,5
117 / 84162	60	5	24	1,5	3,5

MATERIALS: Cap in black polyethylene.

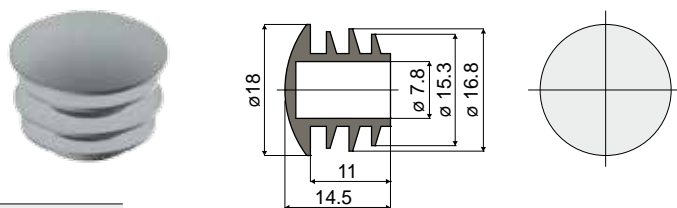
FEATURES: To be assembled to the tubes edges.

BOX QUANTITY: 96 pieces.

ON REQUEST:

- Caps: Rectangular shape.
- Box quantities: According to your request.

Part. 121 Closing cap, round



Code
121 / 85542

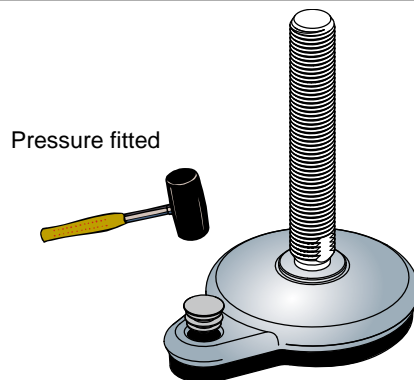
MATERIALS: Cap in grey polyethylene.

FEATURES: To be assembled to the feet with side fixing system: Part.111, 112, 119, 120.

BOX QUANTITY: 96 pieces.

ON REQUEST:

- Box quantities: According to your request.



Chemical resistance

CHEMICAL AGENT	POLYAMIDE PA		POLYPROPYLENE PP		ACETAL POM		STAINLESS STEEL AISI 304		NICKEL PLATED BRASS		NBR RUBBER	
	Conc.%	23° C	Conc.%	23° C	Conc.%	23° C	Conc.%	23° C	Conc.%	23° C	Conc.%	23° C
ACETIC ACID	10	-	40	+	5	-	20	+	/	-	-	
ACETONE	100	+		+	/		50	+	+	-	-	
AMMONIA	10	+	30	+	Sol.	+	50	+	-	-	/	
AMMONIA CONC.		+		+		-					-	
ANILINE	/		100	+	3	+	3	+			-	
BEER		+		+		+		+	+		+	
BENZENE		+		+		+	70	/			-	
BENZOL	100	+		/		+		+	+		-	
BORIC ACID	10	+	Sat.	+		+	100	/			+	
BUTTER		+		+		+		+	+		+	
BUTYRIC ACID		-	100	+		-	5	+			-	
CALCIUM CHLORIDE	10	+	50	+	/		10	-	+		+	
CARBON SULPHIDE	100	+		+		+		+			-	
CARBON TETRACHLORIDE		+		-		+	10	-	+		-	
CAUSTIC POTASSIUM	10	+					50	+			/	
CAUSTIC SODA	10	+	52	+	25	-		+			/	
CHLORINATED WATER		+		-		-		-			-	
CHLOROFORM	100	-		/		-	100	+	+		-	
CITRIC ACID	10	/	10	+	/		5	+	-		+	
CUPRIC SULPHATE	10	+	Sat.	+		+	5	+			+	
DISTILLED WATER		+		+		+		+			+	
ETHYL ALCOHOL	96	+	96	+		+	10	+	+		/	
ETHYL CHLORIDE	100	+		-		+		+	/		-	
ETHYL ETHER	100	+		+		+					-	
FERRIC CHLORIDE	10	+		+			20	-			+	
FOOD FATS		+		+		+		+			+	
FOOD OILS		+		+		+		+			+	
FORMALDEHYDE	30	+	40	+		+	100	+	+		-	
FORMIC ACID	10	-	100	+	10	-	5	/	+		-	
FREON 12		+						+			+	
FRUIT JUICES		+		+		+		+			+	
GLYCERINE		+		+		+		+	+		+	
HYDROCHLORIC ACID	10	-	30	+	37	-		-	/	10	/	
HYDROCHLORIC ACID	2	-	2	+	2	/				2	/	
HYDROFLUORIC ACID	40	-	40	+		-		-		65	-	
HYDROGEN PEROXIDE	3	-	30	+		-	30	+	/	80	-	
IODINE		-		+		+					/	
LACTIC ACID	10	+	20	+		+	5	+	-		+	
MAGNESIUM CHLORIDE	10	+	Sat.	+			5	+			+	
MERCURY		+	100	+		+	100	/	/		+	
METHYL ALCOHOL	100	+		+		+	100	/	+		/	
METHYLENE CHLORIDE	100	+		/		-		/			-	
MILK		+		+		+		+	+		+	
MINERAL OILS		+		+		+		+			+	
NITRIC ACID	10	-		+	5	-	10	+		10	-	
OLEIC ACID	100	+		+		-	100	/	+		/	
PARAFFIN		+	100	/		+		+			+	
PETROLEUM		+	100	/		+		+	+		+	
PETROLEUM ETHER		+		+		+		+	+		-	
PHOSPHORIC ACID	10	-	85	+	10	-	10	-	-	20	/	
SEA WATER		+		+		/		+	+		+	
SILICON OIL		+		+							+	
SOAP SOLUTION		+		+							+	
SODIUM CARBONATE	10	+	Sat.	+		+	5	+			+	
SODIUM CHLORIDE	10	+	Sat.	+		+	5	+	+		+	
SODIUM HYDROXIDE	10	+	30	+	10	+		-	+		/	
SODIUM HYPOCHLORITE		+	20	+		-		-			-	
SODIUM SILICATE		+					100	+			+	
SODIUM SULPHATE	10	+	Sat.	+		+	5	+			+	
SULPHURIC ACID	10	-	98	+	40	-	10	-	+		-	
TARTARIC ACID		+	10	+	30	/	10	+	-		+	
TETRALINE		+		-							-	
TINCTURE OF IODINE		-		+		+			-		/	
TRANSFORMER OIL		+		/							+	
TRICHLOROETHYLENE	/		/			-		+	+		-	
TURPENTINE	/		-			-		+			-	
VASELINE		+		+		+					+	
VEGETABLE JUICES		+		+		+		+			+	
VEGETABLE OILS		+		+		+		+			+	
VINEGAR		+		+		+		+	+		/	
WATER AND SOAP		+		+		+		+			+	
WHISKY		+		+		+		+	+		+	
WINE		+		+		+		+	+		+	
XILOL		+		-		+		+	/		-	
ZINC CHLORIDE	10	/	20	+			10	-			+	

Abbreviations: Sat. = Saturated
 + = Good resistance.
 / = Fairly good resistance (limited use depending on working conditions).
 - = Poor resistance (not recommended).
 N.B.: Where tests have not been carried out the spaces are left blank.

The data shown in the table are to be considered as purely indicative, since material behavior under real working conditions depends on different factors: temperature, concentration of the chemical agent, lasting effect of the chemical agent (quick or long).

Lubrication

All self-aligning bearings are supplied factory lubricated, with the exception of F – FL series, for which it is necessary to provide an initial lubrication.

Bearings are prelubricated with long lasting lithium/calcium grease.

Technical data

- NLGI consistency: 2
- Emulsifier: lithium/calcium
- Base oil: mineral
- Base oil viscosity: 165 mm²/s at 40°C
- Operating temperature: - 20°C to +120°C
- Water resistance: Recommended
- Antioxidant properties: Recommended

All self-aligning bearing units are equipped with a grease nipple of the ball type to allow periodical relubrication of the bearing.

- Do not grease at first assembly, with the exception of F – FL series, for which it is necessary to provide an initial lubrication.
- Use only grease of same characteristics as indicated.
- Clean greasing nipple before each greasing operation.
- We recommend to proceed to frequent greasing operations with small quantities of grease.

Relubrication intervals may vary according to actual operating conditions.

In standard operating conditions we recommend to proceed to relubrication every 2 months.

Operating temperatures

Material	Description	Operating temperatures (°C)		
		contact with air		contact with hot water
		Min	Max	Max
PA	Polyamide	0	+ 80	+ 65
PA FV	Reinforced polyamide	- 5	+ 120	+ 100
PP	Polypropylene	+ 5	+ 105	+ 105
PP FV	Reinforced polypropylene	+ 5	+ 115	+ 115
POM	Acetal	- 40	+ 80	+ 65
AISI 303 - AISI 304	Austenitic stainless steel (18/8)	- 70	+ 430	+ 120
Fe Zn	Zinc plated steel	- 40	+ 180	-
OT	Nickel plated brass	- 40	+ 180	+ 120
HMWPE	Polyethylene with high molecular density	- 200	+ 80	-
UHMWPE	Polyethylene with ultra high molecular density	- 200	+ 80	+ 70

Units of measurement

Length				
	m	cm	mm	in
1 m	= 1	100	1000	39,37008
1 cm	= 0,01	1	10	0,393701
1 mm	= 0,001	0,1	1	0,039370
1 in	= 0,0254	2,54	25,4	1

Mass				
	kg	g	kgf · s ² /m	lb
1 kg	= 1	1000	0,1019716	2,204623
1 g	= 0,001	1	0,000102	0,0022046
1 kgf · s ² /m	= 9,80665	9806,65	1	21,61996
1 lb	= 0,4535924	453,5924	0,0462536	1

Force			
	N	kgf	lbf
1 N	= 1	0,1019716	0,2248089
1 kgf	= 9,80665	1	2,204622
1 lbf	= 4,448222	0,4535924	1

Work			
	J (N · m)	kgf · m	lbf · in
1 J (N · m)	= 1	0,1020	8,851124
1 kgf · m	= 9,807	1	86,799893
1 lbf · in	= 0,113	0,0115	1

Part.	Pag.	Part.	Pag.	Part.	Pag.	Part.	Pag.	Part.	Pag.	Part.	Pag.	Part.	Pag.	Part.	Pag.
1	237	126	278	251	71	310	77	365	151	422	117	478	103	707	158
2	238	127	256	252	72	311	76	366	151	423	116	479	103	710	156
3	237	128	256	253	72	312	60	367	151	424	52	480	106	711	156
4	238	200	10	254	75	313	38	368	151	425	126	481	112	713	157
10	242	201	10	255	24	314	38	369	151	426	126	482	107	Corner tracks	159
15	243	202	11	256	35	315	38	370	149	427	55	483	45	Straight tracks	159
18 pa	239	203	11	257	90	316	144	371	149	428	62	484	45	F	174
18	244	204	49	258	91	317	84	373	128	429	144	485	132	FL	192
25 pa	240	205	49	259	91	318	110	374	148	430	92	486	27	MUCF	166
25	246	206	56	260	93	319	97	375	125	431	92	487	27	MUCF/C	162
27 pa	239	207	13	261	94	320	108	376	89	432	95	488	22	MUCF/CS	168
27	245	208	12	262	94	321	108	377	137	433	95	489	22	MUCF/CX	164
38 pa	240	209	25	263	84	322	108	379	65	434	55	490	23	MUCFL	184
38	247	210	15	264	85	323	108	380	65	435	61	491	23	MUCFL/C	180
45	248	211	13	265	85	324	58	381	134	436	30	492	140	MUCFL/CS	186
64 mm	280	212	12	266	34	325	100	382	40	437	111	493	113	MUCFL/CX	182
64 inches	282	213	17	267	63	326	100	383	40	438	133	494	113	UCF	166
68 mm	283	214	17	268	77	327	101	384	134	439	53	495	141	UCFB	202
68 inches	285	215	18	269	77	328	101	385	135	440	53	496	141	UCFB/C	198
79	251	216	20	270	66	329	109	386	39	441	32	497	141	UCFB/CX	200
81	257	217	25	271	66	330	125	387	30	442	32	498	142	UCF/C	162
82	279	218	21	272	69	331	146	388	124	443	52	499	142	UCF/C	176
87	252	219	24	273	67	332	42	389	138	444	138	500	124	UCFC	230
89	253	220	26	274	68	333	61	390	139	446	133	501	122	UCF/CA	170
92	249	221	34	275	69	334	39	391	139	448	119	502	122	UCF/C	226
93	254	222	34	276	74	335	86	392	30	449	120	511	110	UCF/CX	228
94	260	223	35	277	64	336	86	393	124	450	121	512	136	UCF/CS	168
95	261	224	28	278	64	337	39	394	124	451	119	513	135	UCF/CX	164
96	258	225	28	279	20	338	39	395	124	452	120	514	132	UCF/CX	178
97	262	226	36	280	19	339	117	397	42	453	121	515	127	UCF/CXA	172
98	259	227	36	281	19	340	114	398	48	454	78	517	136	UCFL	184
99	263	228	36	282	75	341	114	399	73	455	78	519	139	UCFL/C	180
101	267	229	43	283	87	342	115	400	42	456	79	520	69	UCFL/C	194
103	274	230	43	285	76	343	115	401	16	457	79	521	50	UCFL/CA	188
104	256	231	44	286	67	344	118	402	14	458	82	522	111	UCFL/CS	186
107	266	232	44	287	68	345	116	403	16	459	83	523	81	UCFL/CX	182
108	273	233	88	288	89	346	46	404	16	460	48	524	75	UCFL/CX	196
109	270	234	88	289	43	347	46	405	51	461	140	525	74	UCFL/CXA	190
110	277	235	29	290	45	348	47	406	33	462	148	526	35	UCP	208
111	269	236	29	291	44	349	47	407	33	463	109	527	88	UCPA	218
112	276	237	57	293	74	350	40	408	31	464	106	528	109	UCPA/C	214
113	265	238	58	294	40	352	147	409	14	465	107	529	76	UCPA/CX	216
114	272	239	59	296	71	353	131	410	51	466	107	530	28	UCP/C	204
115	264	240	57	297	60	354	129	411	51	467	102	531	54	UCP/C	210
116	286	241	59	299	145	355	104	412	50	468	98	534	127	UCP/CX	206
117	286	242	26	300	84	356	104	413	50	469	132	535	81	UCP/CX	212
118	241	243	18	301	48	357	105	414	87	470	54	536	126	UCT	224
119	275	244	21	302	70	358	105	415	112	471	142	700	155	UCT/C	220
120	268	245	73	303	41	359	63	416	93	472	80	701	154	UCT/CX	222
121	286	246	37	304	41	360	143	417	90	473	80	702	154		
122	250	247	37	305	41	361	150	418	130	474	98	703	154		
123	257	248	37	306	96	362	150	419	130	475	99	704	155		
124	255	249	73	307	96	363	150	420	131	476	99	705	158		
125	271	250	70	308	97	364	150	421	118	477	102	706	158		

Cod.	Pag.	Cod.	Pag.	Cod.	Pag.	Cod.	Pag.	Cod.	Pag.	Cod.	Pag.	Cod.	Pag.
7000	242	7062	244	7124	247	7186	262	7248	283	7272	251	7276	245
7001	242	7063	244	7125	247	7187	262	7249	283	7272	265	7276	246
7002	242	7064	244	7126	247	7188	262	7250	283	7272	268	7276	247
7003	242	7065	244	7127	247	7189	262	7251	284	7273	238	7276	248
7004	242	7066	244	7128	247	7190	262	7252	284	7273	238	7276	249
7005	242	7067	244	7129	247	7191	262	7253	284	7273	241	7276	250
7006	242	7068	244	7130	247	7192	262	7254	284	7273	242	7276	252
7007	242	7069	244	7131	247	7193	262	7255	284	7273	243	7276	253
7008	242	7070	246	7132	248	7194	263	7256	284	7273	244	7276	254
7009	242	7071	246	7133	248	7195	263	7257	284	7273	245	7276	255
7010	242	7072	246	7134	248	7196	263	7258	284	7273	246	7276	257
7011	242	7073	246	7135	248	7197	263	7259	284	7273	247	7276	258
7012	242	7074	246	7136	248	7198	263	7260	284	7273	265	7276	259
7013	242	7075	246	7137	248	7199	263	7261	284	7273	268	7276	260
7014	242	7076	246	7138	248	7200	263	7262	284	7273	272	7276	261
7015	242	7077	246	7139	248	7201	263	7263	238	7273	273	7276	262
7016	242	7078	246	7140	248	7202	263	7263	242	7273	274	7276	263
7017	242	7079	246	7141	248	7203	263	7264	243	7273	275	7277	239
7018	243	7080	246	7142	248	7204	263	7264	251	7273	276	7277	239
7019	243	7081	246	7143	248	7205	263	7265	239	7273	277	7277	240
7020	243	7082	246	7144	248	7206	263	7265	244	7274	242	7277	240
7021	243	7083	246	7145	248	7207	263	7266	240	7274	243	7277	242
7022	243	7084	246	7146	248	7208	263	7266	246	7274	244	7277	243
7023	243	7085	246	7147	248	7209	263	7267	240	7274	245	7277	244
7024	243	7086	246	7148	248	7210	280	7267	247	7274	246	7277	245
7025	243	7087	246	7149	248	7211	280	7267	252	7274	247	7277	246
7026	243	7088	246	7150	248	7212	280	7268	248	7274	248	7277	247
7027	243	7089	246	7151	248	7213	280	7268	253	7274	265	7277	248
7028	243	7090	246	7152	248	7214	280	7269	237	7274	268	7277	249
7029	243	7091	246	7153	248	7215	280	7269	238	7274	272	7277	252
7030	243	7092	246	7154	252	7216	280	7269	238	7274	273	7277	253
7031	243	7093	246	7155	252	7217	280	7269	241	7274	274	7277	254
7032	243	7094	246	7156	252	7218	280	7269	242	7274	275	7277	255
7033	243	7095	246	7157	252	7219	281	7269	243	7274	276	7277	258
7034	243	7096	246	7158	252	7220	281	7269	244	7274	277	7277	259
7035	243	7097	246	7159	252	7221	281	7269	245	7275	239	7277	260
7036	244	7098	246	7160	252	7222	281	7269	246	7275	239	7277	261
7037	244	7099	246	7161	252	7223	281	7269	251	7275	240	7277	262
7038	244	7100	246	7162	252	7224	281	7270	238	7275	240	7277	263
7039	244	7101	246	7163	252	7225	281	7270	238	7275	242	7277	264
7040	244	7102	246	7164	252	7226	281	7270	241	7275	243	7277	265
7041	244	7103	246	7165	252	7227	281	7270	242	7275	244	7277	266
7042	244	7104	246	7166	253	7228	281	7270	243	7275	245	7277	267
7043	244	7105	246	7167	253	7229	281	7270	244	7275	246	7277	268
7044	244	7106	246	7168	253	7230	281	7270	245	7275	247	7277	269
7045	244	7107	246	7169	253	7231	281	7270	246	7275	248	7277	270
7046	244	7108	246	7170	253	7232	283	7270	247	7275	249	7277	272
7047	244	7109	246	7171	253	7233	283	7271	242	7275	252	7277	273
7048	244	7110	247	7172	253	7234	283	7271	243	7275	253	7277	274
7049	244	7111	247	7173	253	7235	283	7271	244	7275	254	7277	275
7050	244	7112	247	7174	253	7236	283	7271	245	7275	255	7277	276
7051	244	7113	247	7175	253	7237	283	7271	246	7275	258	7277	277
7052	244	7114	247	7176	253	7238	283	7271	247	7275	259	7278	239
7053	244	7115	247	7177	253	7239	283	7271	248	7275	260	7278	239
7054	244	7116	247	7178	253	7240	283	7272	238	7275	261	7278	240
7055	244	7117	247	7179	253	7241	283	7272	238	7275	262	7278	240
7056	244	7118	247	7180	253	7242	283	7272	241	7275	263	7278	244
7057	244	7119	247	7181	253	7243	283	7272	242	7276	239	7278	245
7058	244	7120	247	7182	262	7244	283	7272	243	7276	239	7278	246
7059	244	7121	247	7183	262	7245	283	7272	244	7276	240	7278	247
7060	244	7122	247	7184	262	7246	283	7272	245	7276	240	7278	248
7061	244	7123	247	7185	262	7247	283	7272	246	7276	244	7278	249

Cod.	Pag.	Cod.	Pag.	Cod.	Pag.	Cod.	Pag.	Cod.	Pag.	Cod.	Pag.	Cod.	Pag.
7278	250	7280	273	7286	238	7289	262	7292	240	7294	264	7410	244
7278	252	7280	274	7286	241	7289	263	7292	244	7294	266	7411	244
7278	253	7280	275	7286	242	7290	239	7292	245	7294	267	7412	245
7278	254	7280	276	7286	243	7290	239	7292	246	7294	269	7413	245
7278	255	7280	277	7286	244	7290	240	7292	247	7294	270	7414	245
7278	258	7280	278	7286	245	7290	240	7292	248	7294	271	7415	245
7278	259	7281	250	7286	246	7290	244	7292	249	7294	272	7416	245
7278	260	7281	253	7286	251	7290	245	7292	250	7294	273	7417	245
7278	261	7281	254	7286	265	7290	246	7292	252	7294	274	7418	245
7278	262	7281	255	7286	268	7290	247	7292	253	7294	275	7419	245
7278	263	7281	258	7287	238	7290	248	7292	254	7294	276	7420	245
7278	264	7281	259	7287	238	7290	249	7292	255	7294	277	7421	245
7278	266	7281	260	7287	241	7290	250	7292	258	7294	278	7422	245
7278	267	7281	263	7287	242	7290	252	7292	259	7295	250	7423	245
7278	269	7282	250	7287	243	7290	253	7292	260	7295	253	7424	245
7278	270	7282	253	7287	244	7290	254	7292	261	7295	254	7425	245
7278	271	7282	254	7287	245	7290	255	7292	262	7295	255	7426	245
7278	272	7282	255	7287	246	7290	257	7292	263	7295	258	7427	245
7278	273	7282	258	7287	247	7290	258	7292	264	7295	259	7428	245
7278	274	7282	259	7287	265	7290	259	7292	266	7295	260	7429	245
7278	275	7282	260	7287	268	7290	260	7292	267	7295	263	7430	245
7278	276	7282	263	7287	272	7290	261	7292	269	7296	250	7431	245
7278	277	7282	264	7287	273	7290	262	7292	270	7296	253	7432	245
7278	278	7282	266	7287	274	7290	263	7292	271	7296	254	7433	245
7279	246	7282	267	7287	275	7291	239	7292	272	7296	255	7434	245
7279	247	7282	269	7287	276	7291	239	7292	273	7296	258	7435	245
7279	248	7282	270	7287	277	7291	240	7292	274	7296	259	7436	245
7279	249	7282	271	7288	242	7291	240	7292	275	7296	260	7437	245
7279	250	7282	272	7288	243	7291	242	7292	276	7296	263	7438	245
7279	252	7282	273	7288	244	7291	243	7292	277	7296	264	7439	245
7279	253	7282	274	7288	245	7291	244	7292	278	7296	266	7440	245
7279	254	7282	275	7288	246	7291	245	7293	246	7296	267	7441	245
7279	255	7282	276	7288	247	7291	246	7293	247	7296	269	7442	245
7279	257	7282	277	7288	248	7291	247	7293	248	7296	270	7443	245
7279	258	7282	278	7288	265	7291	248	7293	249	7296	271	7444	245
7279	259	7283	237	7288	268	7291	249	7293	250	7296	272	7445	245
7279	260	7283	238	7288	272	7291	252	7293	252	7296	273	7446	245
7279	261	7283	238	7288	273	7291	253	7293	253	7296	274	7447	245
7279	262	7283	241	7288	274	7291	254	7293	254	7296	275	7448	245
7279	263	7283	242	7288	275	7291	255	7293	255	7296	276	7449	245
7280	246	7283	243	7288	276	7291	258	7293	257	7296	277	7450	245
7280	247	7283	244	7288	277	7291	259	7293	258	7296	278	7451	245
7280	248	7283	245	7289	239	7291	260	7293	259	7390	242	7452	245
7280	249	7283	246	7289	239	7291	261	7293	260	7391	242	7453	245
7280	250	7283	251	7289	240	7291	262	7293	261	7392	242	7454	245
7280	252	7284	238	7289	240	7291	263	7293	262	7393	242	7455	245
7280	253	7284	238	7289	242	7291	264	7293	263	7394	242	7456	246
7280	254	7284	241	7289	243	7291	265	7294	246	7395	242	7457	246
7280	255	7284	242	7289	244	7291	266	7294	247	7396	243	7458	246
7280	258	7284	243	7289	245	7291	267	7294	248	7397	243	7459	246
7280	259	7284	244	7289	246	7291	268	7294	249	7398	243	7460	246
7280	260	7284	245	7289	247	7291	269	7294	250	7399	243	7461	246
7280	261	7284	246	7289	248	7291	270	7294	252	7400	243	7462	246
7280	262	7284	247	7289	249	7291	272	7294	253	7401	243	7463	246
7280	263	7285	242	7289	252	7291	273	7294	254	7402	244	7464	246
7280	264	7285	243	7289	253	7291	274	7294	255	7403	244	7465	246
7280	266	7285	244	7289	254	7291	275	7294	258	7404	244	7466	246
7280	267	7285	245	7289	255	7291	276	7294	259	7405	244	7467	246
7280	269	7285	246	7289	258	7291	277	7294	260	7406	244	7472	246
7280	270	7285	247	7289	259	7292	239	7294	261	7407	244	7473	246
7280	271	7285	248	7289	260	7292	239	7294	262	7408	244	7474	247
7280	272	7286	238	7289	261	7292	240	7294	263	7409	244	7475	247

Cod.	Pag.	Cod.	Pag.	Cod.	Pag.	Cod.	Pag.	Cod.	Pag.	Cod.	Pag.	Cod.	Pag.
7476	247	7546	261	7616	281	7707	238	7900	245	80011	207	80075	167
7477	247	7547	261	7617	281	7712	238	7901	245	80011	207	80075	169
7478	247	7548	261	7618	281	7713	238	7902	246	80011	209	80075	169
7479	247	7549	261	7619	281	7716	238	7903	246	80011	209	80075	179
7484	247	7550	262	7620	281	7717	238	7904	252	80011	209	80075	179
7485	247	7551	262	7621	281	7722	238	7905	252	80011	213	80075	183
7486	248	7552	262	7622	281	7723	238	7906	253	80011	213	80075	183
7487	248	7553	262	7623	281	7726	238	7907	253	80011	223	80075	183
7488	248	7554	262	7624	284	7727	238	7908	254	80011	223	80075	183
7489	248	7555	262	7625	284	7732	238	7909	254	80011	225	80075	183
7490	248	7556	263	7626	284	7733	238	7910	261	80011	225	80075	183
7491	248	7557	263	7627	239	7736	238	7911	261	80036	283	80075	185
7496	248	7558	263	7628	239	7737	238	7912	262	80053	165	80075	185
7497	248	7559	263	7629	240	7758	283	7913	262	80053	165	80075	185
7498	252	7560	263	7630	240	7782	249	7914	263	80053	167	80075	185
7499	252	7561	263	7632	239	7783	249	7915	263	80053	167	80075	185
7500	252	7562	258	7632	245	7784	249	7916	258	80053	169	80075	185
7501	252	7563	258	7633	249	7785	249	7917	258	80053	169	80075	187
7502	252	7564	258	7633	254	7786	249	7918	259	80053	179	80075	187
7503	252	7565	258	7634	237	7787	249	7919	259	80053	179	80075	197
7504	253	7566	258	7634	238	7788	249	7930	281	80053	183	80075	197
7505	253	7567	258	7634	238	7789	249	7932	281	80053	183	80075	201
7506	253	7568	258	7634	241	7790	249	7934	281	80053	185	80075	201
7507	253	7569	258	7634	242	7791	249	7935	281	80053	185	80075	201
7508	253	7570	258	7634	243	7792	249	7936	283	80053	187	80075	203
7509	253	7571	258	7634	244	7793	249	7937	283	80053	187	80075	203
7510	254	7572	258	7634	245	7794	249	7938	283	80053	197	80075	203
7511	254	7573	258	7634	246	7795	249	7939	283	80053	197	80075	207
7512	254	7574	258	7635	238	7796	249	7940	284	80053	201	80075	207
7513	254	7575	258	7635	238	7797	249	7941	284	80053	201	80075	207
7514	254	7576	258	7635	241	7798	249	7942	284	80053	203	80075	209
7515	254	7577	258	7635	242	7799	249	7950	246	80053	203	80075	209
7516	254	7578	258	7635	243	7800	249	80005	163	80053	207	80075	209
7517	254	7579	258	7635	244	7801	249	80009	163	80053	207	80075	213
7518	254	7580	258	7635	245	7802	280	80010	167	80053	209	80075	213
7519	254	7581	258	7635	246	7803	280	80011	165	80053	209	80075	217
7520	254	7582	258	7635	265	7804	280	80011	165	80053	213	80075	217
7521	254	7583	258	7635	268	7805	280	80011	165	80053	213	80075	219
7522	254	7584	259	7636	237	7806	280	80011	167	80053	223	80075	219
7523	254	7585	259	7636	238	7807	283	80011	167	80053	223	80075	223
7524	254	7586	259	7636	238	7808	283	80011	167	80053	225	80075	223
7525	254	7587	259	7636	241	7809	283	80011	169	80053	225	80075	225
7526	254	7588	259	7636	242	7817	283	80011	169	80054	167	80075	225
7527	254	7589	259	7636	243	7818	283	80011	179	80055	167	80076	165
7528	254	7590	259	7636	244	7851	253	80011	179	80057	163	80076	165
7529	254	7591	259	7636	245	7852	253	80011	183	80058	163	80076	167
7530	254	7592	259	7636	246	7882	280	80011	183	80060	163	80076	167
7531	254	7593	259	7637	238	7883	280	80011	183	80061	163	80076	169
7532	261	7594	259	7637	238	7886	243	80011	185	80063	185	80076	169
7533	261	7595	259	7637	241	7887	243	80011	185	80064	185	80076	179
7534	261	7596	259	7637	242	7888	244	80011	185	80065	185	80076	179
7535	261	7597	259	7637	243	7889	244	80011	187	80067	181	80076	183
7536	261	7598	259	7637	244	7890	245	80011	187	80068	181	80076	183
7537	261	7599	259	7637	245	7891	245	80011	197	80069	181	80076	183
7538	261	7600	259	7637	246	7892	246	80011	197	80071	181	80076	183
7539	261	7601	259	7637	265	7893	246	80011	201	80072	181	80076	185
7540	261	7602	259	7637	268	7894	242	80011	201	80073	181	80076	185
7541	261	7603	259	7690	242	7895	242	80011	201	80075	165	80076	185
7542	261	7604	259	7691	242	7896	243	80011	203	80075	165	80076	185
7543	261	7605	259	7702	238	7897	243	80011	203	80075	165	80076	187
7544	261	7614	281	7703	238	7898	244	80011	203	80075	167	80076	187
7545	261	7615	281	7706	238	7899	244	80011	207	80075	167	80076	197

Cod.	Pag.	Cod.	Pag.	Cod.	Pag.	Cod.	Pag.	Cod.	Pag.	Cod.	Pag.	Cod.	Pag.
80076	197	80078	185	80254	169	80255	209	80256	191	80257	209	80354	197
80076	201	80078	185	80254	183	80255	217	80256	191	80258	167	80354	201
80076	201	80078	185	80254	183	80255	217	80256	191	80259	167	80354	201
80076	203	80078	187	80254	183	80255	219	80256	201	80260	169	80354	203
80076	203	80078	187	80254	183	80255	219	80256	201	80261	169	80354	203
80076	207	80078	201	80254	183	80255	223	80256	201	80262	181	80354	207
80076	207	80078	201	80254	183	80255	223	80256	203	80263	181	80354	207
80076	209	80078	203	80254	185	80255	225	80256	203	80264	183	80354	209
80076	209	80078	203	80254	185	80255	225	80256	203	80265	185	80354	209
80076	213	80078	207	80254	185	80256	165	80256	207	80266	187	80354	213
80076	213	80078	207	80254	185	80256	165	80256	207	80271	10	80354	213
80076	217	80078	209	80254	185	80256	165	80256	207	80275	165	80354	223
80076	217	80078	209	80254	185	80256	165	80256	209	80275	165	80354	223
80076	219	80078	229	80254	187	80256	165	80256	209	80275	167	80354	225
80076	219	80078	229	80254	187	80256	165	80256	209	80275	167	80354	225
80076	223	80078	229	80254	187	80256	165	80257	165	80275	169	80377	163
80076	223	80078	229	80254	187	80256	165	80257	165	80275	169	80378	163
80076	225	80078	231	80254	201	80256	165	80257	165	80275	183	80400	163
80076	225	80078	231	80254	201	80256	165	80257	165	80275	183	80409	171
80077	165	80078	231	80254	203	80256	165	80257	165	80275	183	80410	171
80077	165	80078	231	80254	203	80256	165	80257	165	80275	183	80411	171
80077	167	80155	240	80254	207	80256	165	80257	167	80275	185	80412	171
80077	167	80156	238	80254	207	80256	167	80257	167	80275	185	80413	173
80077	169	80157	238	80254	209	80256	167	80257	167	80275	185	80414	173
80077	169	80158	238	80254	209	80256	167	80257	167	80275	185	80445	163
80077	183	80159	238	80254	217	80256	167	80257	167	80275	187	80446	163
80077	183	80160	239	80254	217	80256	167	80257	167	80275	187	80447	163
80077	183	80161	239	80254	219	80256	167	80257	169	80275	201	80448	163
80077	183	80162	240	80254	219	80256	167	80257	169	80275	201	80449	163
80077	185	80163	283	80254	223	80256	167	80257	169	80275	203	80450	163
80077	185	80164	283	80254	223	80256	167	80257	169	80275	203	80451	163
80077	185	80165	283	80254	225	80256	167	80257	173	80275	207	80453	171
80077	185	80172	283	80254	225	80256	167	80257	173	80275	207	80454	171
80077	187	80173	283	80255	165	80256	167	80257	173	80275	209	80464	171
80077	187	80175	165	80255	165	80256	167	80257	183	80275	209	80479	173
80077	201	80176	165	80255	167	80256	169	80257	183	80275	229	80485	171
80077	201	80177	165	80255	167	80256	169	80257	183	80275	229	80486	171
80077	203	80178	169	80255	169	80256	169	80257	183	80275	229	80494	165
80077	203	80179	169	80255	169	80256	169	80257	183	80275	229	80494	165
80077	207	80180	169	80255	183	80256	169	80257	183	80275	231	80494	165
80077	207	80181	183	80255	183	80256	169	80257	185	80275	231	80494	167
80077	209	80182	183	80255	183	80256	169	80257	185	80275	231	80494	167
80077	209	80183	183	80255	183	80256	169	80257	185	80275	231	80494	167
80077	229	80184	187	80255	183	80256	173	80257	185	80322	169	80494	169
80077	229	80185	187	80255	183	80256	173	80257	185	80325	279	80494	169
80077	229	80186	187	80255	185	80256	173	80257	185	80326	279	80494	173
80077	229	80209	279	80255	185	80256	173	80257	187	80327	279	80494	173
80077	231	80210	279	80255	185	80256	183	80257	187	80354	165	80494	173
80077	231	80211	279	80255	185	80256	183	80257	191	80354	165	80494	191
80077	231	80212	279	80255	185	80256	183	80257	191	80354	167	80494	191
80077	231	80214	257	80255	185	80256	183	80257	191	80354	167	80494	191
80078	165	80248	163	80255	187	80256	183	80257	201	80354	169	80495	165
80078	165	80249	163	80255	187	80256	183	80257	201	80354	169	80495	165
80078	167	80250	163	80255	187	80256	185	80257	201	80354	179	80495	165
80078	167	80251	163	80255	187	80256	185	80257	203	80354	179	80495	167
80078	169	80252	165	80255	201	80256	185	80257	203	80354	183	80495	167
80078	169	80253	165	80255	201	80256	185	80257	203	80354	183	80495	167
80078	183	80254	165	80255	203	80256	185	80257	207	80354	185	80495	169
80078	183	80254	165	80255	203	80256	185	80257	207	80354	185	80495	169
80078	183	80254	167	80255	207	80256	187	80257	207	80354	187	80495	173
80078	183	80254	167	80255	207	80256	187	80257	209	80354	187	80495	173
80078	185	80254	169	80255	209	80256	191	80257	209	80354	197	80495	173

Cod.	Pag.	Cod.	Pag.	Cod.	Pag.	Cod.	Pag.	Cod.	Pag.	Cod.	Pag.	Cod.	Pag.
80495	191	80648	13	80753	10	80822	56	80922	284	80979	49	81058	163
80495	191	80649	13	80754	25	80857	280	80923	284	80980	49	81059	171
80495	191	80650	12	80755	17	80858	280	80924	284	80981	49	81060	171
80499	173	80651	12	80756	17	80859	280	80925	284	80982	49	81061	171
80500	173	80652	17	80757	17	80860	280	80926	284	80985	58	81062	181
80501	173	80653	17	80759	20	80861	280	80927	284	80986	58	81063	181
80514	167	80654	17	80760	25	80862	280	80928	284	80987	58	81064	181
80515	167	80655	17	80761	25	80863	280	80929	284	80988	59	81065	181
80519	185	80656	17	80762	25	80864	280	80930	284	80989	59	81066	181
80520	185	80657	17	80764	12	80865	280	80931	284	80990	59	81067	181
80521	185	80658	18	80765	12	80866	280	80932	284	80991	59	81068	181
80522	185	80659	18	80766	12	80867	280	80933	284	80992	59	81069	181
80523	187	80660	18	80767	12	80868	280	80934	284	80993	59	81135	37
80540	183	80663	21	80768	12	80869	280	80935	284	80994	59	81137	37
80542	185	80664	24	80769	12	80870	280	80936	284	80995	59	81139	37
80546	283	80665	24	80770	12	80871	280	80937	284	80996	57	81147	36
80548	254	80666	24	80771	12	80873	280	80938	284	80997	57	81148	36
80561	165	80667	26	80772	88	80874	280	80939	284	80998	57	81176	17
80588	10	80668	34	80773	88	80875	280	80940	284	80999	57	82000	94
80589	10	80669	34	80774	88	80876	280	80941	284	81000	57	82001	94
80590	10	80670	34	80775	88	80877	280	80953	281	81001	57	82002	93
80591	10	80671	34	80776	88	80878	280	80958	57	81002	26	82003	91
80592	10	80672	34	80777	88	80879	280	80959	57	81003	18	82004	91
80593	10	80673	34	80778	29	80880	280	80960	57	81004	18	82005	90
80609	43	80675	35	80779	29	80881	280	80961	57	81005	18	82010	56
80611	43	80676	28	80780	29	80882	280	80962	57	81007	21	82013	284
80612	10	80677	28	80786	257	80883	280	80963	57	81008	24	82017	73
80613	10	80678	36	80787	44	80884	280	80969	165	81009	24	82018	73
80614	10	80679	36	80788	44	80885	280	80969	165	81010	24	82019	73
80615	10	80680	36	80789	165	80886	280	80969	167	81011	35	82020	73
80616	10	80681	43	80790	13	80887	280	80969	167	81012	29	82021	73
80617	10	80682	43	80791	13	80888	280	80969	169	81013	29	82022	73
80618	10	80683	43	80792	13	80889	280	80969	169	81015	280	82023	73
80619	10	80684	43	80793	13	80890	281	80969	183	81016	280	82024	73
80620	10	80685	43	80794	13	80891	281	80969	183	81017	280	82032	84
80621	10	80686	43	80795	13	80892	281	80969	183	81018	281	82033	85
80622	11	80687	44	80796	13	80893	281	80969	183	81019	281	82034	85
80623	11	80688	44	80797	13	80894	281	80969	185	81020	281	82035	34
80624	11	80693	279	80798	49	80895	281	80969	185	81021	281	82036	34
80625	11	80694	279	80799	49	80896	281	80969	185	81022	281	82037	34
80626	11	80695	167	80800	49	80897	281	80969	185	81023	281	82038	63
80627	11	80697	163	80801	49	80898	281	80969	187	81024	281	82039	63
80628	11	80699	163	80802	49	80899	281	80969	187	81025	281	82040	77
80629	11	80701	165	80803	49	80900	281	80969	201	81026	281	82041	77
80630	11	80702	249	80804	49	80901	281	80969	201	81027	281	82042	66
80631	11	80703	249	80805	49	80902	281	80969	203	81028	281	82043	66
80632	11	80704	249	80806	49	80903	281	80969	203	81029	281	82044	66
80633	11	80705	249	80807	49	80904	281	80969	207	81030	281	82045	66
80634	11	80706	249	80808	49	80905	281	80969	207	81031	283	82046	69
80635	11	80707	249	80809	49	80906	281	80969	209	81032	284	82047	69
80636	11	80708	249	80810	49	80907	281	80969	209	81043	165	82048	67
80637	11	80709	249	80811	49	80908	281	80969	229	81045	167	82049	67
80638	15	80710	249	80812	49	80909	281	80969	229	81047	165	82050	67
80639	15	80711	249	80813	49	80913	283	80969	229	81049	165	82051	67
80640	15	80712	167	80814	49	80914	283	80969	229	81050	165	82052	68
80641	15	80713	169	80815	49	80915	283	80969	231	81051	165	82053	68
80642	15	80714	283	80816	49	80916	283	80969	231	81052	167	82054	68
80643	15	80715	283	80817	49	80917	283	80969	231	81053	183	82055	68
80644	15	80716	283	80818	56	80918	283	80969	231	81054	183	82056	69
80645	15	80717	283	80819	56	80919	283	80970	88	81055	183	82057	69
80646	15	80718	283	80820	56	80920	283	80976	167	81056	183	82058	69
80647	15	80749	44	80821	56	80921	284	80978	49	81057	163	82059	69

Cod.	Pag.	Cod.	Pag.	Cod.	Pag.	Cod.	Pag.	Cod.	Pag.	Cod.	Pag.	Cod.	Pag.
82060	74	82141	259	82244	72	82276	219	82278	197	82280	167	82281	191
82061	74	82144	261	82245	72	82276	223	82278	201	82280	167	82281	201
82062	74	82145	261	82246	72	82276	223	82278	201	82280	167	82281	201
82063	74	82146	262	82247	72	82276	225	82278	201	82280	167	82281	203
82064	74	82147	262	82248	72	82276	225	82278	203	82280	167	82281	203
82065	74	82148	263	82249	72	82277	165	82278	203	82280	169	82281	207
82066	74	82149	263	82250	72	82277	165	82278	203	82280	169	82281	207
82067	74	82150	19	82251	75	82277	167	82278	207	82280	169	82281	209
82068	64	82151	19	82252	75	82277	167	82278	207	82280	169	82281	209
82069	64	82152	19	82253	75	82277	169	82278	207	82280	169	82284	165
82070	10	82154	75	82254	75	82277	169	82278	209	82280	169	82284	165
82071	10	82155	75	82256	84	82277	179	82278	209	82280	169	82284	167
82072	12	82156	75	82258	72	82277	179	82278	209	82280	169	82284	167
82073	12	82157	75	82259	72	82277	183	82278	213	82280	173	82284	169
82074	251	82173	279	82260	72	82277	183	82278	213	82280	173	82284	169
82075	251	82174	279	82261	72	82277	183	82278	223	82280	173	82284	183
82076	251	82175	279	82262	72	82277	183	82278	223	82280	183	82284	183
82077	251	82176	279	82263	72	82277	185	82278	225	82280	183	82284	183
82078	251	82177	279	82264	75	82277	185	82278	225	82280	183	82284	183
82079	251	82178	279	82276	165	82277	185	82279	165	82280	183	82284	185
82080	284	82179	279	82276	165	82277	185	82279	165	82280	185	82284	185
82081	284	82180	279	82276	165	82277	187	82279	167	82280	185	82284	185
82082	284	82181	279	82276	167	82277	187	82279	167	82280	185	82284	185
82083	280	82182	279	82276	167	82277	197	82279	169	82280	185	82284	187
82084	280	82183	279	82276	167	82277	197	82279	169	82280	187	82284	187
82085	281	82184	279	82276	169	82277	201	82279	179	82280	187	82284	201
82086	281	82201	70	82276	169	82277	201	82279	179	82280	191	82284	201
82102	17	82202	70	82276	179	82277	203	82279	183	82280	191	82284	203
82104	17	82203	70	82276	179	82277	203	82279	183	82280	191	82284	203
82105	17	82204	70	82276	183	82277	207	82279	185	82280	201	82284	207
82106	18	82205	71	82276	183	82277	207	82279	185	82280	201	82284	207
82107	17	82206	71	82276	183	82277	209	82279	187	82280	203	82284	209
82108	18	82207	71	82276	183	82277	209	82279	187	82280	203	82284	209
82109	17	82208	71	82276	183	82277	213	82279	197	82280	207	82284	229
82110	18	82215	85	82276	183	82277	213	82279	197	82280	207	82284	229
82111	26	82217	85	82276	185	82277	217	82279	201	82280	209	82284	229
82113	21	82218	85	82276	185	82277	217	82279	201	82280	209	82284	229
82114	24	82219	70	82276	185	82277	219	82279	203	82281	165	82284	231
82115	24	82220	70	82276	185	82277	219	82279	203	82281	165	82284	231
82116	24	82221	70	82276	185	82277	223	82279	207	82281	165	82284	231
82118	284	82222	70	82276	185	82277	223	82279	207	82281	165	82284	231
82119	284	82223	71	82276	187	82277	225	82279	209	82281	167	82285	165
82120	284	82224	71	82276	187	82277	225	82279	209	82281	167	82285	165
82121	284	82225	71	82276	197	82278	165	82279	213	82281	167	82285	167
82122	284	82226	71	82276	197	82278	165	82279	213	82281	167	82285	167
82123	284	82227	72	82276	201	82278	165	82279	223	82281	169	82285	169
82124	20	82228	72	82276	201	82278	167	82279	223	82281	169	82285	169
82125	20	82229	72	82276	201	82278	167	82279	225	82281	169	82285	183
82126	20	82230	72	82276	203	82278	167	82279	225	82281	169	82285	183
82127	19	82231	72	82276	203	82278	169	82280	165	82281	173	82285	183
82128	19	82232	72	82276	203	82278	169	82280	165	82281	173	82285	183
82129	19	82233	72	82276	207	82278	179	82280	165	82281	183	82285	185
82130	19	82234	72	82276	207	82278	179	82280	165	82281	183	82285	185
82131	19	82235	72	82276	207	82278	183	82280	165	82281	183	82285	185
82132	19	82236	72	82276	209	82278	183	82280	165	82281	183	82285	185
82134	252	82237	72	82276	209	82278	183	82280	165	82281	185	82285	187
82135	252	82238	72	82276	209	82278	185	82280	165	82281	185	82285	187
82136	254	82239	72	82276	213	82278	185	82280	165	82281	185	82285	201
82137	254	82240	72	82276	213	82278	185	82280	167	82281	185	82285	201
82138	258	82241	72	82276	217	82278	187	82280	167	82281	187	82285	203
82139	258	82242	72	82276	217	82278	187	82280	167	82281	187	82285	203
82140	259	82243	72	82276	219	82278	197	82280	167	82281	191	82285	207

Cod.	Pag.	Cod.	Pag.	Cod.	Pag.	Cod.	Pag.	Cod.	Pag.	Cod.	Pag.	Cod.	Pag.
82285	207	82306	185	82571	43	82708	285	82789	74	82855	74	83025	203
82285	209	82306	185	82572	43	82709	285	82797	70	82857	181	83027	199
82285	209	82306	185	82573	45	82710	285	82804	165	82858	181	83029	203
82285	229	82306	185	82574	45	82711	285	82804	165	82859	181	83031	199
82285	229	82306	185	82575	45	82712	285	82804	165	82860	181	83033	199
82285	229	82306	187	82576	45	82713	285	82804	165	82861	199	83035	183
82285	229	82306	187	82577	45	82714	285	82804	167	82862	199	83036	183
82285	231	82306	187	82578	44	82715	285	82804	167	82865	199	83037	185
82285	231	82306	187	82579	87	82716	285	82804	167	82866	199	83038	185
82285	231	82306	201	82580	74	82717	285	82804	167	82867	181	83039	201
82285	231	82306	201	82581	74	82718	285	82804	169	82868	181	83040	199
82305	165	82306	203	82582	74	82719	285	82804	169	82869	181	83041	201
82305	165	82306	203	82583	74	82720	285	82804	169	82870	181	83042	203
82305	167	82306	207	82584	74	82721	285	82804	169	82871	144	83043	274
82305	167	82306	207	82585	74	82722	285	82804	173	82872	144	83044	203
82305	169	82306	209	82586	74	82726	285	82804	173	82873	70	83045	183
82305	169	82306	209	82587	74	82727	285	82804	183	82880	237	83046	183
82305	183	82306	217	82588	40	82728	285	82804	183	82882	257	83047	183
82305	183	82306	217	82590	279	82729	285	82804	183	82886	237	83048	185
82305	183	82306	219	82591	279	82730	282	82804	183	82889	281	83049	185
82305	183	82306	219	82611	71	82731	282	82804	185	82890	281	83050	185
82305	183	82306	223	82612	71	82732	282	82804	185	82891	281	83052	274
82305	183	82306	223	82613	71	82733	282	82804	185	82892	281	83053	274
82305	185	82306	225	82614	71	82734	282	82804	185	82893	281	83054	274
82305	185	82306	225	82615	71	82735	282	82804	187	82894	281	83055	274
82305	185	82392	163	82616	71	82736	282	82804	187	82895	281	83056	274
82305	185	82404	165	82617	71	82737	282	82804	191	82911	84	83057	274
82305	185	82408	181	82618	71	82738	282	82804	191	82912	84	83058	274
82305	185	82409	181	82619	71	82739	282	82804	201	82913	110	83059	274
82305	187	82478	201	82620	71	82740	282	82804	201	82916	97	83060	274
82305	187	82490	183	82621	71	82741	282	82804	203	82917	108	83061	274
82305	187	82505	87	82622	71	82742	282	82804	203	82918	108	83062	274
82305	187	82516	279	82624	72	82743	282	82804	207	82919	108	83063	274
82305	201	82526	76	82625	72	82744	282	82804	207	82920	108	83064	274
82305	201	82528	76	82626	72	82745	282	82804	209	82949	29	83065	274
82305	203	82529	76	82627	72	82746	282	82804	209	82968	260	83066	274
82305	203	82530	76	82628	72	82747	282	82805	40	82970	260	83067	274
82305	207	82532	67	82629	72	82751	48	82806	41	82971	58	83068	274
82305	207	82533	67	82630	75	82764	183	82807	41	82972	260	83073	267
82305	209	82534	67	82632	13	82764	183	82808	41	82973	279	83074	267
82305	209	82535	67	82633	13	82764	183	82809	96	82974	260	83075	267
82305	217	82536	68	82640	29	82764	185	82810	96	82975	279	83076	267
82305	217	82537	68	82652	167	82764	185	82811	97	82976	260	83077	267
82305	219	82538	68	82658	60	82764	185	82812	63	82977	279	83078	267
82305	219	82539	68	82664	87	82765	183	82813	63	82978	260	83079	267
82305	223	82549	163	82680	145	82765	183	82827	77	82980	260	83081	267
82305	223	82555	89	82681	145	82765	183	82828	77	82982	260	83082	267
82305	225	82556	89	82682	84	82765	183	82829	77	82984	260	83083	267
82305	225	82557	89	82683	29	82765	185	82830	77	82986	260	83084	267
82306	165	82558	89	82695	282	82765	185	82831	77	82988	260	83085	267
82306	165	82559	89	82696	282	82765	185	82833	74	82990	260	83086	267
82306	167	82560	89	82697	282	82765	185	82841	76	82992	260	83087	267
82306	167	82561	89	82698	282	82766	181	82842	76	82994	260	83088	165
82306	169	82562	89	82699	282	82767	181	82843	76	82998	11	83088	165
82306	169	82563	89	82700	282	82770	199	82844	76	82999	11	83088	165
82306	183	82564	89	82701	282	82771	199	82845	60	83003	100	83088	165
82306	183	82565	89	82702	282	82772	201	82846	60	83004	100	83088	165
82306	183	82566	89	82703	282	82773	203	82847	60	83005	101	83088	165
82306	183	82567	89	82704	282	82774	199	82848	38	83006	101	83088	165
82306	183	82568	89	82705	282	82775	199	82849	38	83007	109	83088	165
82306	183	82569	43	82706	282	82776	201	82850	38	83021	125	83088	165
82306	185	82570	43	82707	285	82777	203	82853	74	83023	201	83088	167

Cod.	Pag.	Cod.	Pag.	Cod.	Pag.	Cod.	Pag.	Cod.	Pag.	Cod.	Pag.	Cod.	Pag.
83088	167	83156	244	83230	254	83293	247	83462	165	83574	277	83721	151
83088	167	83157	244	83231	254	83294	248	83465	274	83575	277	83722	151
83088	167	83158	245	83232	258	83295	248	83466	163	83576	277	83723	151
83088	167	83159	245	83233	258	83296	248	83467	163	83577	277	83724	151
83088	167	83160	246	83234	258	83297	248	83468	167	83578	277	83725	151
83088	167	83161	246	83235	258	83298	249	83473	104	83579	277	83726	149
83088	167	83162	248	83236	258	83299	249	83474	104	83580	277	83727	149
83088	167	83163	248	83237	258	83300	249	83475	105	83581	277	83733	128
83088	169	83164	249	83238	259	83301	249	83476	105	83582	277	83735	128
83088	169	83165	249	83239	259	83302	39	83503	63	83583	277	83744	276
83088	169	83166	247	83240	259	83303	39	83504	63	83584	277	83745	276
83088	169	83167	247	83241	259	83304	48	83520	169	83585	277	83746	276
83088	169	83168	247	83242	259	83305	48	83524	266	83586	277	83747	276
83088	169	83169	247	83243	259	83306	48	83525	266	83587	277	83748	276
83088	169	83170	247	83244	261	83307	72	83526	266	83588	277	83749	276
83088	169	83171	247	83245	261	83309	72	83527	266	83589	277	83750	276
83088	173	83172	247	83246	261	83313	72	83528	266	83590	277	83751	276
83088	173	83173	247	83247	261	83314	72	83529	266	83591	277	83752	276
83088	173	83174	247	83248	261	83319	117	83530	266	83592	266	83753	276
83088	183	83175	247	83249	261	83331	69	83531	266	83593	266	83754	276
83088	183	83176	247	83250	262	83357	114	83532	266	83594	270	83755	276
83088	183	83177	247	83251	262	83359	114	83533	266	83595	270	83756	276
83088	183	83178	247	83252	262	83361	115	83534	266	83606	143	83757	276
83088	185	83179	247	83253	262	83363	115	83535	266	83607	143	83758	276
83088	185	83180	247	83254	262	83372	118	83536	266	83608	143	83759	276
83088	185	83181	247	83255	262	83378	145	83537	266	83626	129	83760	276
83088	185	83182	247	83256	263	83380	116	83538	266	83627	274	83761	276
83088	187	83183	247	83257	263	83390	46	83539	266	83637	274	83762	269
83088	187	83184	248	83258	263	83391	46	83540	273	83640	35	83763	269
83088	191	83185	248	83259	263	83392	46	83541	273	83642	73	83764	269
83088	191	83186	248	83260	263	83393	46	83542	273	83649	89	83765	269
83088	191	83187	248	83261	263	83394	46	83543	273	83651	274	83766	269
83088	201	83188	248	83262	260	83395	47	83544	273	83652	159	83767	269
83088	201	83189	248	83263	267	83396	47	83545	273	83653	159	83768	269
83088	203	83200	10	83264	260	83398	40	83546	273	83682	205	83769	269
83088	203	83201	10	83266	242	83399	40	83547	273	83683	205	83770	269
83088	207	83202	10	83267	242	83410	249	83548	273	83684	205	83771	269
83088	207	83203	10	83268	243	83410	254	83549	273	83685	205	83772	269
83088	209	83204	11	83269	243	83410	256	83550	273	83686	205	83773	269
83088	209	83205	11	83270	244	83411	147	83551	273	83687	205	83774	269
83089	125	83206	11	83271	244	83412	147	83552	273	83688	207	83775	269
83090	146	83207	11	83272	244	83413	147	83553	273	83689	207	83776	269
83091	146	83208	12	83273	244	83414	147	83554	273	83690	207	83777	269
83092	146	83209	267	83274	244	83415	147	83555	273	83691	209	83778	269
83093	146	83210	13	83275	244	83416	147	83556	273	83692	209	83779	269
83094	146	83211	13	83276	245	83417	147	83557	273	83693	209	83784	265
83095	146	83214	252	83277	245	83418	147	83558	270	83696	205	83785	265
83096	146	83215	252	83278	245	83419	147	83559	270	83697	205	83786	265
83097	146	83216	252	83279	245	83420	147	83560	270	83698	205	83787	265
83098	146	83217	252	83280	245	83421	147	83561	270	83699	205	83788	265
83099	146	83218	252	83281	245	83422	147	83562	270	83700	205	83789	265
83100	146	83219	252	83282	246	83423	147	83563	270	83701	205	83790	265
83101	146	83220	253	83283	246	83424	147	83564	270	83702	207	83791	265
83110	12	83221	253	83284	246	83425	147	83565	270	83703	207	83792	265
83113	42	83222	253	83285	246	83441	131	83566	270	83704	207	83793	265
83115	61	83223	253	83286	246	83442	129	83567	270	83705	209	83794	265
83116	39	83224	253	83287	246	83445	159	83568	270	83706	209	83795	265
83117	61	83225	253	83288	247	83446	159	83569	270	83707	209	83796	265
83128	86	83226	254	83289	247	83449	159	83570	270	83717	150	83797	265
83138	86	83227	254	83290	247	83450	159	83571	270	83718	150	83798	265
83145	267	83228	254	83291	247	83451	159	83572	270	83719	150	83799	265
83155	267	83229	254	83292	247	83452	159	83573	270	83720	150	83800	265

Cod.	Pag.	Cod.	Pag.	Cod.	Pag.	Cod.	Pag.	Cod.	Pag.	Cod.	Pag.	Cod.	Pag.
83801	265	83901	207	84000	189	84085	134	84153	286	84285	241	84498	167
83802	272	83901	209	84001	189	84086	134	84154	286	84286	241	84499	171
83803	272	83901	209	84002	189	84087	151	84155	286	84287	241	84500	163
83804	272	83901	217	84003	189	84091	143	84156	286	84288	241	84501	163
83805	272	83901	217	84005	189	84100	165	84157	286	84289	241	84502	163
83806	272	83901	219	84006	189	84100	165	84158	286	84290	241	84503	171
83807	272	83901	219	84007	191	84100	165	84159	286	84303	128	84505	173
83808	272	83901	223	84008	191	84100	167	84160	286	84304	73	84506	181
83809	272	83901	223	84009	191	84100	167	84161	286	84305	73	84507	181
83810	272	83901	225	84010	189	84100	167	84162	286	84306	73	84508	181
83811	272	83901	225	84011	191	84100	169	84165	138	84307	73	84509	181
83812	272	83907	187	84012	191	84100	169	84166	139	84308	73	84510	183
83813	272	83911	280	84013	191	84100	179	84167	139	84309	279	84511	183
83814	272	83912	280	84014	181	84100	179	84168	139	84311	279	84513	185
83815	272	83913	280	84015	181	84100	183	84169	139	84316	42	84514	185
83816	272	83914	281	84016	181	84100	183	84180	73	84318	257	84515	181
83817	272	83915	281	84017	181	84100	183	84182	124	84323	16	84516	181
83818	272	83916	280	84018	181	84100	185	84183	124	84324	14	84517	183
83819	272	83917	280	84019	183	84100	185	84185	124	84325	16	84518	183
83822	265	83918	280	84020	185	84100	185	84190	273	84326	16	84519	185
83823	265	83919	280	84021	189	84100	187	84191	274	84327	51	84520	185
83824	265	83920	280	84022	189	84100	187	84193	276	84328	33	84521	189
83825	265	83921	280	84023	189	84100	197	84195	277	84329	33	84522	191
83826	265	83922	280	84024	189	84100	197	84196	131	84330	33	84523	199
83827	265	83923	280	84025	61	84100	201	84197	131	84331	33	84524	199
83828	169	83924	280	84038	163	84100	201	84198	129	84332	33	84525	199
83829	169	83925	280	84039	163	84100	201	84199	129	84333	33	84526	199
83831	264	83926	280	84040	163	84100	203	84203	154	84334	31	84527	201
83860	148	83927	283	84041	163	84100	203	84205	154	84335	31	84528	201
83866	243	83928	283	84042	165	84100	203	84206	154	84336	31	84529	203
83871	48	83929	283	84043	167	84100	207	84207	155	84337	31	84530	203
83881	131	83930	284	84044	167	84100	207	84208	158	84338	31	84531	205
83882	128	83931	284	84045	169	84100	207	84209	158	84339	31	84532	205
83890	125	83932	284	84046	169	84100	209	84222	276	84440	14	84533	205
83895	89	83933	284	84048	199	84100	209	84223	276	84442	51	84534	205
83901	165	83934	280	84049	199	84100	209	84226	35	84443	51	84535	207
83901	165	83958	264	84050	199	84100	213	84239	151	84444	147	84536	207
83901	167	83959	264	84051	199	84100	213	84244	85	84445	147	84537	209
83901	167	83960	264	84052	199	84100	223	84245	85	84446	147	84538	209
83901	169	83961	264	84053	199	84100	223	84246	85	84473	37	84539	181
83901	169	83962	264	84054	199	84100	225	84247	85	84474	134	84540	181
83901	183	83963	264	84055	199	84100	225	84251	85	84475	134	84541	189
83901	183	83964	264	84056	201	84109	48	84253	85	84476	134	84542	35
83901	183	83965	264	84057	201	84113	155	84255	183	84477	134	84543	35
83901	183	83966	264	84058	201	84119	40	84258	48	84478	135	84544	35
83901	183	83967	264	84059	201	84120	40	84259	48	84479	146	84545	87
83901	183	83968	264	84060	203	84121	134	84260	42	84480	146	84546	87
83901	185	83969	264	84061	203	84122	134	84270	241	84481	146	84547	112
83901	185	83970	264	84062	203	84123	135	84271	241	84482	146	84548	96
83901	185	83971	264	84063	203	84124	39	84272	241	84483	146	84549	96
83901	185	83973	137	84069	65	84128	30	84273	241	84485	51	84550	97
83901	185	83985	185	84070	65	84130	30	84274	241	84486	51	84551	97
83901	185	83989	181	84071	65	84131	124	84275	241	84487	50	84552	100
83901	187	83990	181	84072	65	84132	15	84276	241	84488	50	84553	100
83901	187	83991	181	84076	205	84133	15	84277	241	84490	163	84555	101
83901	187	83992	183	84077	205	84134	273	84278	241	84491	163	84556	101
83901	187	83993	183	84078	205	84135	276	84279	241	84492	163	84557	104
83901	201	83994	183	84079	205	84136	277	84280	241	84493	165	84558	104
83901	201	83995	185	84080	207	84146	169	84281	241	84494	165	84559	105
83901	203	83996	185	84081	207	84147	169	84282	241	84495	165	84560	105
83901	203	83997	185	84082	209	84148	187	84283	241	84496	167	84563	86
83901	207	83999	189	84083	209	84150	187	84284	241	84497	167	84575	93

Cod.	Pag.	Cod.	Pag.	Cod.	Pag.	Cod.	Pag.	Cod.	Pag.	Cod.	Pag.	Cod.	Pag.
84576	90	84639	167	84701	183	84765	205	84846	268	84951	134	85092	284
84577	135	84640	167	84702	183	84766	205	84847	268	84952	134	85093	55
84578	135	84641	167	84703	183	84767	205	84848	268	84953	134	85094	55
84580	163	84642	167	84704	183	84768	205	84849	268	84954	134	85095	55
84581	163	84643	167	84705	183	84769	205	84850	268	84955	134	85096	87
84582	163	84644	181	84706	185	84770	205	84851	268	84956	134	85097	55
84583	163	84645	181	84707	185	84771	205	84852	268	84957	134	85098	55
84584	163	84646	181	84708	185	84772	205	84853	268	84961	52	85099	55
84585	163	84647	181	84709	185	84773	205	84854	268	84979	181	85100	55
84586	163	84648	181	84710	185	84774	207	84855	268	84980	181	85101	51
84587	163	84649	181	84711	185	84775	207	84856	268	84981	181	85108	10
84588	163	84650	181	84712	185	84776	207	84857	268	84982	181	85109	10
84589	163	84651	181	84713	185	84777	207	84862	268	84983	183	85110	12
84590	163	84652	181	84714	185	84778	207	84863	268	84984	183	85111	12
84591	163	84653	181	84715	185	84779	207	84864	268	84985	185	85112	13
84592	163	84654	181	84718	199	84780	207	84865	87	84986	185	85113	13
84593	163	84655	181	84719	199	84781	207	84868	87	84994	126	85114	15
84594	163	84656	181	84720	199	84782	209	84869	48	84995	126	85115	15
84595	163	84657	181	84721	199	84783	209	84870	37	84996	126	85116	241
84596	163	84658	181	84722	199	84784	209	84875	163	84997	126	85117	242
84597	163	84659	181	84723	199	84785	209	84876	163	84998	126	85118	243
84598	163	84660	183	84724	199	84786	209	84877	163	84999	126	85119	244
84599	163	84661	183	84725	199	84787	209	84878	163	85000	126	85120	244
84600	163	84662	183	84726	199	84788	209	84883	165	85001	126	85121	244
84601	163	84663	183	84727	199	84789	209	84884	165	85002	91	85122	244
84602	163	84664	183	84728	199	84800	130	84887	167	85003	91	85123	246
84603	163	84665	183	84729	199	84801	130	84888	167	85004	90	85124	246
84604	163	84666	183	84730	199	84802	130	84891	181	85005	94	85125	246
84605	163	84667	183	84731	199	84803	130	84892	181	85006	94	85126	246
84606	163	84668	185	84732	199	84804	130	84893	181	85007	93	85127	247
84607	163	84669	185	84733	199	84805	130	84894	181	85009	55	85128	247
84608	163	84670	185	84734	199	84806	130	84899	183	85031	90	85129	247
84609	163	84671	185	84735	199	84807	130	84900	183	85032	93	85130	247
84610	163	84672	185	84736	199	84808	131	84903	185	85063	62	85131	248
84611	163	84673	185	84737	199	84809	131	84904	185	85064	62	85132	248
84612	165	84674	185	84738	201	84810	131	84907	199	85065	144	85133	248
84613	165	84675	185	84739	201	84811	131	84908	199	85066	144	85134	249
84614	165	84676	181	84740	201	84814	84	84909	199	85067	89	85135	249
84615	165	84677	181	84741	201	84816	118	84910	199	85068	84	85136	249
84616	165	84678	181	84742	201	84817	117	84915	201	85069	84	85137	252
84617	165	84679	181	84743	201	84818	116	84916	201	85070	84	85138	253
84618	165	84680	181	84744	201	84819	275	84919	203	85071	84	85139	254
84619	165	84681	181	84745	201	84820	275	84920	203	85072	84	85140	241
84620	165	84682	181	84746	201	84821	275	84923	205	85073	84	85141	279
84621	165	84683	181	84747	201	84822	275	84924	205	85074	85	85142	280
84622	165	84684	181	84748	203	84823	275	84925	205	85075	85	85143	280
84623	165	84685	181	84749	203	84824	275	84926	205	85076	85	85144	280
84624	165	84686	181	84750	203	84825	275	84931	207	85077	85	85145	280
84625	165	84687	181	84751	203	84826	275	84932	207	85078	85	85146	280
84626	165	84688	181	84752	203	84827	275	84936	209	85079	85	85147	280
84627	165	84689	181	84753	203	84828	275	84937	209	85080	92	85148	280
84628	167	84690	181	84754	203	84829	275	84940	135	85081	92	85149	280
84629	167	84691	181	84755	203	84830	275	84941	135	85082	95	85150	280
84630	167	84692	181	84756	203	84837	268	84942	134	85083	95	85151	280
84631	167	84693	181	84757	203	84838	268	84943	134	85084	92	85152	280
84632	167	84694	181	84758	205	84839	268	84944	134	85085	92	85153	281
84633	167	84695	181	84759	205	84840	268	84945	134	85086	95	85154	281
84634	167	84696	183	84760	205	84841	268	84946	134	85087	95	85155	281
84635	167	84697	183	84761	205	84842	268	84947	134	85088	275	85156	281
84636	167	84698	183	84762	205	84843	268	84948	134	85089	275	85157	283
84637	167	84699	183	84763	205	84844	268	84949	134	85090	284	85158	284
84638	167	84700	183	84764	205	84845	268	84950	134	85091	284	85159	284

Cod.	Pag.	Cod.	Pag.	Cod.	Pag.	Cod.	Pag.	Cod.	Pag.	Cod.	Pag.	Cod.	Pag.
85160	284	85232	185	85384	165	85385	185	85463	74	85629	217	85755	250
85161	284	85233	187	85384	165	85385	187	85464	74	85630	219	85756	255
85162	284	85234	187	85384	167	85385	187	85465	74	85631	219	85758	255
85163	284	85235	111	85384	167	85385	197	85466	74	85632	219	85760	255
85164	272	85237	133	85384	167	85385	197	85467	119	85633	219	85762	255
85165	272	85238	133	85384	169	85385	201	85468	120	85647	227	85765	250
85166	61	85239	53	85384	169	85385	201	85469	121	85649	227	85766	255
85167	61	85240	53	85384	179	85385	203	85470	48	85651	227	85767	255
85168	61	85241	32	85384	179	85385	203	85473	140	85653	227	85768	255
85169	61	85242	32	85384	183	85385	207	85476	137	85655	227	85769	255
85170	241	85246	169	85384	183	85385	207	85484	129	85657	227	85770	255
85171	245	85247	169	85384	183	85385	209	85486	129	85659	227	85771	255
85172	245	85248	169	85384	183	85385	209	85488	129	85661	227	85772	255
85173	245	85249	169	85384	183	85385	213	85520	281	85663	229	85773	255
85174	245	85250	169	85384	183	85385	213	85522	281	85665	229	85774	255
85180	163	85251	169	85384	185	85385	217	85541	134	85666	229	85775	255
85181	163	85252	169	85384	185	85385	217	85542	286	85667	229	85776	255
85182	165	85253	169	85384	185	85385	219	85548	148	85668	231	85777	255
85183	167	85254	169	85384	185	85385	219	85552	109	85669	231	85778	255
85184	143	85255	169	85384	185	85385	223	85561	106	85670	231	85779	255
85185	143	85256	169	85384	185	85385	223	85562	107	85671	231	85780	250
85186	69	85257	169	85384	187	85385	225	85563	107	85672	221	85780	255
85202	165	85258	169	85384	187	85385	225	85566	48	85673	221	85781	255
85202	167	85259	169	85384	197	85400	156	85569	147	85674	221	85782	255
85202	183	85260	169	85384	197	85416	78	85570	147	85675	221	85783	255
85202	183	85261	169	85384	201	85417	78	85584	102	85676	221	85784	255
85202	185	85262	169	85384	201	85418	78	85585	98	85677	221	85785	255
85202	185	85263	169	85384	201	85419	78	85588	132	85678	221	85786	255
85202	201	85264	187	85384	203	85420	78	85589	132	85679	221	85787	255
85202	203	85265	187	85384	203	85421	78	85590	132	85680	223	85788	255
85202	207	85266	187	85384	203	85422	78	85591	132	85681	223	85789	255
85202	209	85267	187	85384	207	85423	78	85592	48	85682	223	85790	255
85203	165	85268	187	85384	207	85424	79	85598	54	85683	223	85791	255
85203	167	85269	187	85384	207	85425	79	85599	54	85684	225	85793	255
85203	183	85270	187	85384	209	85426	79	85600	54	85685	225	85795	255
85203	185	85271	187	85384	209	85427	79	85601	215	85686	225	85796	142
85203	201	85272	116	85384	209	85428	79	85603	215	85687	225	85797	255
85203	203	85273	117	85384	213	85429	79	85604	215	85712	257	85799	255
85203	207	85274	118	85384	213	85430	79	85605	215	85713	257	85802	90
85203	209	85275	52	85384	217	85431	79	85606	215	85714	257	85803	90
85204	165	85308	138	85384	217	85435	82	85607	215	85715	257	85804	91
85204	167	85309	138	85384	219	85436	83	85608	215	85716	257	85805	91
85204	173	85337	67	85384	219	85441	205	85609	215	85717	257	85806	92
85204	191	85338	67	85384	223	85443	205	85610	217	85736	250	85807	92
85206	183	85339	67	85384	223	85445	205	85611	217	85737	250	85808	93
85206	185	85340	67	85384	225	85446	205	85612	217	85738	250	85809	93
85215	30	85346	73	85384	225	85447	205	85613	217	85739	250	85810	94
85217	181	85347	73	85385	165	85448	205	85614	219	85740	250	85811	94
85218	181	85348	73	85385	165	85449	205	85615	219	85741	250	85812	95
85219	181	85349	73	85385	167	85450	205	85616	219	85742	250	85813	95
85220	181	85355	133	85385	167	85451	207	85617	219	85743	250	85826	114
85221	181	85356	133	85385	169	85452	207	85618	215	85744	250	85828	114
85222	181	85357	133	85385	169	85453	207	85619	215	85745	250	85850	158
85223	181	85358	133	85385	179	85454	207	85620	215	85746	250	85853	242
85224	181	85374	119	85385	179	85455	209	85621	215	85747	250	85854	274
85225	183	85375	120	85385	183	85456	209	85622	215	85748	250	85856	274
85226	183	85376	121	85385	183	85457	209	85623	215	85749	250	85858	274
85227	183	85377	119	85385	183	85458	209	85624	215	85750	250	85859	274
85228	183	85378	120	85385	183	85459	119	85625	215	85751	250	85860	274
85229	185	85379	121	85385	185	85460	120	85626	217	85752	250	85861	274
85230	185	85381	48	85385	185	85461	121	85627	217	85753	250	85862	274
85231	185	85384	165	85385	185	85462	74	85628	217	85754	250	85863	274

Cod.	Pag.	Cod.	Pag.	Cod.	Pag.	Cod.	Pag.	Cod.	Pag.	Cod.	Pag.	Cod.	Pag.
85864	274	85927	275	86009	271	86114	223	86691	61	86760	242	87003	22
85865	274	85928	276	86011	271	86115	225	86692	61	86761	242	87004	22
85866	274	85929	276	86012	271	86116	225	86693	42	86762	242	87005	23
85867	274	85930	276	86013	271	86117	225	86695	107	86763	242	87006	23
85868	274	85931	276	86014	271	86118	225	86696	106	86764	243	87007	23
85869	274	85932	276	86015	271	86119	260	86707	48	86765	243	87008	23
85870	274	85933	276	86020	271	86120	221	86708	48	86766	243	87009	23
85872	274	85934	276	86021	231	86121	260	86710	54	86767	243	87010	23
85873	274	85935	276	86022	231	86122	221	86711	54	86768	243	87011	23
85874	272	85936	276	86023	231	86123	260	86712	54	86769	243	87012	23
85875	272	85937	276	86024	231	86124	221	86717	116	86770	243	87013	140
85876	272	85938	276	86025	227	86125	260	86718	117	86771	243	87014	113
85877	272	85939	276	86026	227	86126	221	86719	118	86772	243	87015	113
85878	272	85940	276	86027	227	86127	260	86722	165	86773	243	87016	141
85879	272	85941	276	86028	227	86128	221	86722	165	86774	243	87017	141
85880	272	85942	276	86029	227	86129	260	86722	165	86775	243	87018	141
85881	272	85943	276	86030	227	86130	221	86722	165	86776	243	87019	141
85882	272	85944	276	86031	227	86131	260	86722	167	86777	243	87020	141
85883	272	85945	276	86032	227	86132	221	86722	167	86778	242	87021	142
85884	272	85949	277	86033	229	86133	260	86722	167	86779	242	87022	142
85885	272	85950	277	86034	229	86134	221	86722	167	86780	242	87023	142
85886	272	85951	277	86035	229	86135	260	86722	169	86781	242	87024	45
85887	272	85952	277	86036	229	86136	223	86722	169	86782	243	87025	45
85888	272	85953	277	86037	278	86137	260	86722	169	86783	243	87026	45
85889	272	85954	277	86038	278	86138	223	86722	169	86784	243	87027	45
85890	272	85955	277	86039	278	86139	260	86722	173	86785	243	87028	45
85891	272	85956	277	86040	278	86140	223	86722	173	86786	242	87029	45
85892	272	85957	277	86041	278	86141	260	86722	183	86787	243	87030	45
85893	272	85958	277	86042	278	86142	223	86722	183	86788	245	87031	45
85894	273	85959	277	86043	278	86143	260	86722	183	86789	246	87032	45
85895	273	85960	277	86044	278	86144	225	86722	183	86790	247	87033	45
85896	273	85961	277	86045	278	86145	260	86722	185	86791	245	87034	45
85897	273	85962	277	86046	278	86146	225	86722	185	86792	248	87035	45
85898	273	85963	277	86047	278	86147	260	86722	185	86793	248	87036	45
85899	273	85964	277	86048	278	86148	225	86722	185	86794	244	87037	45
85900	273	85965	277	86049	278	86149	260	86722	187	86795	244	87038	45
85901	273	85966	277	86050	278	86150	225	86722	187	86797	240	87039	45
85902	273	85967	277	86052	278	86151	45	86722	191	86797	246	87040	45
85903	273	85968	277	86053	278	86152	45	86722	191	86797	256	87041	45
85904	273	85969	80	86054	278	86153	45	86722	201	86980	122	87042	45
85905	273	85970	80	86055	278	86154	45	86722	201	86981	122	87043	45
85906	273	85971	80	86056	278	86156	45	86722	203	86982	122	87044	110
85907	273	85972	80	86057	278	86163	132	86722	203	86983	122	87079	136
85908	273	85973	80	86058	278	86164	132	86722	207	86984	122	87080	136
85909	273	85974	80	86059	278	86165	132	86722	207	86985	122	87081	135
85910	273	85975	80	86060	278	86166	132	86722	209	86986	122	87082	135
85911	273	85976	80	86061	278	86189	27	86722	209	86987	122	87083	135
85912	273	85977	148	86062	278	86190	27	86726	129	86988	122	87084	135
85913	273	85978	98	86063	278	86191	27	86727	84	86989	122	87085	135
85914	275	85979	99	86091	69	86192	27	86728	84	86990	122	87086	135
85915	275	85980	99	86093	247	86193	22	86729	156	86991	122	87118	132
85916	275	85981	102	86103	221	86194	22	86730	156	86992	123	87119	132
85917	275	85982	103	86104	221	86195	22	86750	242	86993	123	87120	132
85918	275	85983	103	86105	221	86196	22	86751	242	86994	123	87121	132
85919	275	85984	115	86106	221	86197	22	86752	242	86995	123	87128	256
85920	275	85985	115	86107	221	86198	22	86753	242	86996	123	87153	157
85921	275	86002	112	86108	221	86199	22	86754	242	86997	123	87156	127
85922	275	86004	187	86109	221	86215	124	86755	242	86998	122	87159	21
85923	275	86005	187	86110	221	86218	270	86756	242	86999	122	87166	183
85924	275	86006	271	86111	223	86219	269	86757	242	87000	22	87167	183
85925	275	86007	271	86112	223	86220	267	86758	242	87001	22	87189	139
85926	275	86008	271	86113	223	86221	266	86759	242	87002	22	87193	263

Cod.	Pag.	Cod.	Pag.	Cod.	Pag.	Cod.	Pag.	Cod.	Pag.	Cod.	Pag.	Cod.	Pag.
87195	173	87259	225	87286	263	87357	81	87528	165	87530	169	87531	225
87203	167	87259	225	87287	263	87358	81	87528	165	87530	179	87540	165
87205	167	87264	69	87288	263	87359	81	87528	165	87530	179	87540	165
87211	181	87270	183	87289	263	87360	81	87528	165	87530	183	87540	167
87212	181	87270	183	87290	263	87361	50	87528	165	87530	183	87540	167
87213	181	87270	183	87291	263	87364	87	87528	165	87530	185	87540	169
87214	181	87270	185	87292	263	87365	87	87528	167	87530	185	87540	169
87215	183	87270	185	87293	263	87366	87	87528	167	87530	187	87540	183
87216	183	87270	185	87294	263	87367	87	87528	167	87530	187	87540	183
87217	185	87271	165	87295	263	87377	136	87528	167	87530	197	87540	183
87218	185	87271	165	87296	262	87378	136	87528	167	87530	197	87540	183
87219	187	87271	167	87297	262	87379	74	87528	167	87530	201	87540	183
87220	187	87271	167	87298	262	87380	35	87528	167	87530	201	87540	183
87221	181	87271	169	87299	262	87381	35	87528	167	87530	203	87540	185
87222	181	87271	169	87300	262	87382	35	87528	167	87530	203	87540	185
87223	181	87271	173	87301	262	87384	74	87528	169	87530	207	87540	185
87224	181	87271	173	87302	262	87385	75	87528	169	87530	207	87540	185
87225	183	87271	191	87303	262	87388	75	87528	169	87530	209	87540	185
87226	183	87271	191	87304	262	87390	75	87528	169	87530	209	87540	185
87227	185	87272	183	87305	262	87414	123	87528	169	87530	213	87540	187
87228	185	87272	183	87306	262	87415	123	87528	169	87530	213	87540	187
87229	187	87272	185	87307	262	87424	134	87528	169	87530	223	87540	187
87230	187	87272	185	87308	262	87425	195	87528	169	87530	223	87540	187
87254	139	87273	165	87309	262	87426	195	87528	173	87530	225	87540	201
87255	139	87273	167	87310	50	87427	197	87528	173	87530	225	87540	201
87256	139	87273	183	87311	50	87433	183	87528	173	87531	165	87540	203
87259	165	87273	183	87315	254	87434	183	87528	183	87531	165	87540	203
87259	165	87273	185	87316	252	87435	183	87528	183	87531	165	87540	207
87259	167	87273	185	87317	252	87436	165	87528	183	87531	167	87540	207
87259	167	87273	201	87318	253	87437	165	87528	183	87531	167	87540	209
87259	169	87273	203	87319	253	87438	165	87528	185	87531	167	87540	209
87259	169	87273	207	87320	255	87439	165	87528	185	87531	169	87540	217
87259	183	87273	209	87321	255	87440	165	87528	185	87531	169	87540	217
87259	183	87274	165	87322	258	87443	262	87528	185	87531	179	87540	219
87259	183	87274	167	87323	258	87445	263	87528	187	87531	179	87540	219
87259	183	87274	183	87324	259	87465	74	87528	187	87531	183	87540	223
87259	183	87274	185	87325	259	87466	74	87528	191	87531	183	87540	223
87259	183	87274	201	87326	260	87467	74	87528	191	87531	183	87540	225
87259	185	87274	203	87327	260	87468	74	87528	191	87531	185	87540	225
87259	185	87274	207	87328	261	87469	175	87528	201	87531	185	87541	165
87259	185	87274	209	87329	261	87470	175	87528	201	87531	185	87541	165
87259	185	87275	165	87330	262	87475	175	87528	203	87531	187	87541	167
87259	185	87275	167	87331	262	87476	175	87528	203	87531	187	87541	167
87259	185	87275	173	87332	263	87481	175	87528	207	87531	197	87541	169
87259	187	87275	191	87333	263	87482	175	87528	207	87531	197	87541	169
87259	187	87276	183	87334	264	87487	175	87528	209	87531	201	87541	183
87259	187	87276	185	87335	273	87488	175	87528	209	87531	201	87541	183
87259	187	87277	165	87336	273	87493	193	87529	165	87531	201	87541	183
87259	201	87277	165	87337	272	87494	193	87529	165	87531	203	87541	183
87259	201	87277	167	87338	272	87499	193	87529	167	87531	203	87541	183
87259	203	87277	167	87339	274	87500	193	87529	167	87531	203	87541	183
87259	203	87277	169	87340	274	87505	193	87529	169	87531	207	87541	185
87259	207	87277	169	87341	276	87506	193	87529	169	87531	207	87541	185
87259	207	87277	173	87342	276	87511	193	87529	173	87531	207	87541	185
87259	209	87277	173	87343	277	87512	193	87529	173	87531	209	87541	185
87259	209	87277	191	87344	277	87520	88	87529	191	87531	209	87541	185
87259	217	87277	191	87345	278	87521	88	87529	191	87531	209	87541	185
87259	217	87281	263	87346	278	87522	88	87530	165	87531	213	87541	187
87259	219	87282	263	87347	275	87523	88	87530	165	87531	213	87541	187
87259	219	87283	263	87348	275	87528	165	87530	167	87531	223	87541	187
87259	223	87284	263	87351	50	87528	165	87530	167	87531	223	87541	187
87259	223	87285	263	87355	111	87528	165	87530	169	87531	225	87541	201

Cod.	Pag.	Cod.	Pag.	Cod.	Pag.	Cod.	Pag.	Cod.	Pag.	Cod.	Pag.	Cod.	Pag.
87541	201	87542	225	87544	209	87559	183	87662	173	87702	183	87765	207
87541	203	87543	165	87544	229	87559	183	87662	191	87703	183	87766	207
87541	203	87543	165	87544	229	87559	185	87663	165	87704	183	87767	207
87541	207	87543	167	87544	229	87559	185	87663	167	87705	183	87768	207
87541	207	87543	167	87544	229	87559	185	87663	183	87706	183	87769	209
87541	209	87543	169	87544	231	87560	183	87663	183	87707	183	87770	209
87541	209	87543	169	87544	231	87560	183	87663	185	87708	183	87771	209
87541	217	87543	179	87544	231	87560	185	87663	185	87709	183	87772	209
87541	217	87543	179	87544	231	87560	185	87663	201	87710	183	87773	209
87541	219	87543	183	87545	165	87562	109	87663	203	87711	183	87774	209
87541	219	87543	183	87545	165	87563	109	87663	207	87712	183	87775	209
87541	223	87543	183	87545	167	87564	109	87663	209	87713	183	87776	209
87541	223	87543	183	87545	167	87565	109	87664	165	87714	183	87777	209
87541	225	87543	185	87545	169	87566	109	87664	167	87715	183	87778	209
87541	225	87543	185	87545	169	87567	109	87664	183	87716	183	87779	209
87542	165	87543	185	87545	183	87568	109	87664	185	87717	183	87780	209
87542	165	87543	185	87545	183	87569	165	87664	201	87719	183	87781	246
87542	165	87543	187	87545	183	87569	165	87664	203	87720	183	87782	246
87542	167	87543	187	87545	183	87569	167	87664	207	87721	183	87783	246
87542	167	87543	197	87545	185	87569	167	87664	209	87722	183	87784	246
87542	167	87543	197	87545	185	87569	169	87665	165	87723	185	87785	246
87542	169	87543	201	87545	185	87569	169	87665	167	87724	185	87786	246
87542	169	87543	201	87545	185	87569	173	87665	173	87725	185	87787	246
87542	179	87543	203	87545	187	87569	173	87665	191	87726	185	87788	246
87542	179	87543	203	87545	187	87569	191	87666	183	87727	185	87789	246
87542	183	87543	207	87545	201	87569	191	87666	185	87728	185	87790	246
87542	183	87543	207	87545	201	87570	183	87667	183	87729	185	87791	246
87542	183	87543	209	87545	203	87570	183	87667	185	87730	185	87792	246
87542	183	87543	209	87545	203	87570	183	87668	165	87731	185	87793	246
87542	183	87543	213	87545	207	87570	185	87669	165	87732	185	87794	246
87542	183	87543	213	87545	207	87570	185	87670	165	87733	185	87795	246
87542	185	87543	217	87545	209	87570	185	87671	165	87734	185	87796	246
87542	185	87543	217	87545	209	87571	183	87672	165	87735	185	87797	246
87542	185	87543	219	87545	229	87571	183	87673	165	87736	185	87798	246
87542	185	87543	219	87545	229	87571	185	87674	165	87737	185	87799	246
87542	185	87543	223	87545	229	87571	185	87675	165	87738	185	87800	246
87542	185	87543	223	87545	229	87589	76	87676	165	87739	185	87801	246
87542	187	87543	225	87545	231	87590	76	87677	165	87740	185	87802	246
87542	187	87543	225	87545	231	87591	76	87678	165	87741	185	87803	246
87542	197	87544	165	87545	231	87592	76	87679	165	87742	185	87804	246
87542	197	87544	165	87545	231	87657	52	87680	165	87743	185	87805	246
87542	201	87544	167	87555	165	87658	52	87681	165	87744	185	87806	246
87542	201	87544	167	87555	165	87660	165	87682	167	87745	185	87807	246
87542	201	87544	169	87555	167	87660	167	87683	167	87746	185	87808	246
87542	203	87544	169	87555	167	87660	183	87684	167	87747	185	87809	246
87542	203	87544	183	87555	169	87660	183	87685	167	87748	185	87810	246
87542	203	87544	183	87555	169	87660	185	87686	167	87749	195	87811	60
87542	207	87544	183	87555	173	87660	185	87687	167	87750	195	87812	60
87542	207	87544	183	87555	173	87660	201	87688	167	87751	197	87813	60
87542	207	87544	185	87555	191	87660	203	87689	167	87752	28	87815	87
87542	209	87544	185	87555	191	87660	207	87690	167	87753	207	87816	87
87542	209	87544	185	87557	165	87660	209	87691	167	87754	207	87817	87
87542	209	87544	185	87557	165	87661	165	87692	167	87755	207	87818	87
87542	213	87544	187	87557	167	87661	167	87693	167	87756	207	87819	87
87542	213	87544	187	87557	167	87661	183	87694	167	87757	207	87820	87
87542	217	87544	201	87557	169	87661	185	87695	167	87758	54	87821	87
87542	217	87544	201	87557	169	87661	201	87696	167	87759	54	87822	87
87542	219	87544	203	87557	173	87661	203	87697	167	87760	54	87823	87
87542	219	87544	203	87557	173	87661	207	87698	167	87761	54	87824	87
87542	223	87544	207	87557	191	87661	209	87699	167	87762	207	87825	87
87542	223	87544	207	87557	191	87662	165	87700	167	87763	207	87826	87
87542	225	87544	209	87559	183	87662	167	87701	183	87764	207	87827	123

Cod.	Pag.	Cod.	Pag.	Cod.	Pag.	Cod.	Pag.	Cod.	Pag.	Cod.	Pag.	Cod.	Pag.
87828	123	87890	252	87952	254	88016	273	88143	272	88205	274	88267	277
87829	123	87891	252	87953	254	88017	273	88144	272	88206	274	88268	277
87830	123	87892	252	87954	254	88018	273	88145	272	88207	274	88269	277
87831	246	87893	252	87955	254	88019	273	88146	272	88208	274	88270	277
87832	246	87894	252	87956	254	88020	273	88147	272	88209	274	88271	277
87833	246	87895	252	87957	254	88021	273	88148	272	88210	274	88272	277
87834	246	87896	252	87958	254	88022	273	88149	272	88211	274	88273	277
87835	246	87897	252	87959	254	88023	273	88150	272	88212	274	88274	277
87836	246	87898	252	87960	254	88024	274	88151	272	88213	274	88275	277
87837	246	87899	252	87961	254	88025	274	88152	272	88214	274	88276	277
87838	246	87900	252	87962	254	88026	274	88153	272	88215	274	88277	277
87839	246	87901	253	87963	254	88027	274	88154	272	88216	275	88278	277
87840	246	87902	253	87964	254	88028	274	88155	272	88217	275	88279	277
87841	246	87903	253	87965	254	88029	274	88156	272	88218	275	88280	277
87842	246	87904	253	87966	254	88030	274	88157	272	88219	275	88281	277
87843	246	87905	253	87967	254	88031	274	88158	272	88220	275	88282	277
87844	246	87906	253	87968	254	88032	275	88159	272	88221	275	88283	277
87845	246	87907	253	87969	254	88033	275	88160	272	88222	275	88284	277
87846	246	87908	253	87970	254	88034	275	88161	272	88223	275	88285	278
87847	246	87909	253	87971	255	88035	275	88162	272	88224	275	88286	278
87848	246	87910	253	87972	255	88036	275	88163	272	88225	275	88287	278
87849	246	87911	253	87973	255	88037	275	88164	272	88226	275	88288	278
87850	246	87912	253	87974	255	88038	275	88165	272	88227	275	88289	278
87851	246	87913	253	87975	255	88039	275	88166	273	88228	275	88290	278
87852	246	87914	253	87976	255	88040	276	88167	273	88229	275	88291	278
87853	246	87915	253	87977	255	88041	276	88168	273	88230	275	88292	278
87854	246	87916	253	87978	255	88042	276	88169	273	88231	275	88293	278
87855	246	87917	253	87979	255	88043	276	88170	273	88232	275	88294	278
87856	246	87918	253	87980	255	88044	276	88171	273	88233	275	88295	278
87857	246	87919	253	87981	255	88045	276	88172	273	88234	275	88296	278
87858	246	87920	253	87982	255	88046	276	88173	273	88235	276	88297	278
87859	246	87921	253	87983	255	88047	276	88174	273	88236	276	88298	278
87860	246	87922	253	87984	255	88048	277	88175	273	88237	276	88299	278
87861	246	87923	253	87985	255	88049	277	88176	273	88238	276	88300	278
87862	246	87924	253	87986	255	88050	277	88177	273	88239	276	88301	278
87863	246	87925	253	87987	255	88051	277	88178	273	88240	276	88302	278
87864	280	87926	253	87988	255	88052	277	88179	273	88241	276	88332	201
87865	246	87927	253	87989	255	88053	277	88180	273	88242	276	88371	165
87866	280	87928	253	87990	255	88054	277	88181	273	88243	276	88371	167
87867	246	87929	253	87991	255	88055	277	88182	273	88244	276	88371	183
87868	280	87930	253	87992	255	88056	278	88183	273	88245	276	88371	183
87869	246	87931	253	87993	255	88057	278	88184	273	88246	276	88371	183
87870	252	87932	253	87994	255	88058	278	88185	273	88247	276	88371	185
87871	252	87933	253	87995	255	88059	278	88186	273	88248	276	88371	185
87872	252	87934	253	87996	255	88060	278	88187	273	88249	276	88371	185
87873	252	87935	253	87997	255	88061	278	88188	273	88250	276	88371	201
87874	252	87936	254	87998	255	88062	278	88189	273	88251	276	88371	203
87875	252	87937	254	87999	255	88063	278	88190	273	88252	276	88371	207
87876	252	87938	254	88000	255	88066	246	88191	274	88253	276	88371	209
87877	252	87939	254	88001	255	88067	246	88192	274	88254	276	88371	217
87878	252	87940	254	88002	255	88068	246	88193	274	88255	276	88371	219
87879	252	87941	254	88003	255	88069	246	88194	274	88256	276	88371	223
87880	252	87942	254	88004	255	88070	246	88195	274	88257	276	88371	225
87881	252	87943	254	88005	255	88071	246	88196	274	88258	276	88372	165
87882	252	87944	254	88008	272	88124	134	88197	274	88259	276	88372	167
87883	252	87945	254	88009	272	88127	135	88198	274	88260	277	88372	183
87884	252	87946	254	88010	272	88128	135	88199	274	88261	277	88372	183
87885	252	87947	254	88011	272	88129	134	88200	274	88262	277	88372	183
87886	252	87948	254	88012	272	88130	134	88201	274	88263	277	88372	185
87887	252	87949	254	88013	272	88131	134	88202	274	88264	277	88372	185
87888	252	87950	254	88014	272	88141	272	88203	274	88265	277	88372	185
87889	252	87951	254	88015	272	88142	272	88204	274	88266	277	88372	201

Cod.	Pag.	Cod.	Pag.	Cod.	Pag.	Cod.	Pag.	Cod.	Pag.	Cod.	Pag.	Cod.	Pag.
88372	203	88376	207	88466	167	88528	185	88593	209	88688	177		
88372	207	88376	209	88467	167	88529	185	88594	209	88689	177		
88372	209	88376	213	88468	167	88530	185	88595	209	88690	177		
88372	217	88376	223	88469	167	88531	185	88596	209	88691	177		
88372	219	88376	225	88470	167	88532	185	88597	209	88692	179		
88372	223	88377	165	88471	167	88533	185	88598	209	88693	179		
88372	225	88377	167	88472	167	88534	185	88599	209	88694	179		
88373	165	88377	183	88473	167	88535	185	88600	209	88695	179		
88373	167	88377	183	88474	167	88536	185	88601	209	88696	179		
88373	179	88377	185	88475	167	88537	185	88602	209	88697	179		
88373	183	88377	185	88476	167	88538	185	88603	209	88698	31		
88373	183	88377	201	88477	167	88539	185	88604	209	88699	126		
88373	185	88377	203	88478	167	88540	185	88605	209	88700	31		
88373	185	88377	207	88479	167	88541	185	88606	209	88703	158		
88373	197	88377	209	88480	167	88542	185	88607	217	88704	35		
88373	201	88377	229	88481	167	88543	185	88608	217	88706	229		
88373	203	88377	229	88482	167	88544	185	88609	217	88707	229		
88373	207	88377	231	88483	167	88545	185	88610	217	88708	229		
88373	209	88377	231	88484	167	88546	185	88611	219	88709	229		
88373	213	88378	165	88485	167	88547	185	88612	219	88710	231		
88373	217	88378	167	88486	173	88548	185	88613	219	88711	231		
88373	219	88378	183	88487	173	88549	185	88614	219	88712	231		
88373	223	88378	183	88488	183	88550	185	88615	223	88713	231		
88373	225	88378	185	88489	183	88551	197	88616	223				
88374	165	88378	185	88490	183	88552	191	88617	223				
88374	167	88378	201	88491	183	88553	191	88618	223				
88374	179	88378	203	88492	183	88554	191	88619	223				
88374	183	88378	207	88493	183	88555	201	88620	223				
88374	183	88378	209	88494	183	88556	201	88621	225				
88374	185	88378	229	88495	183	88557	201	88622	225				
88374	185	88378	229	88496	183	88558	201	88623	225				
88374	197	88378	231	88497	183	88559	201	88624	225				
88374	201	88378	231	88498	183	88560	201	88625	225				
88374	203	88399	211	88499	183	88561	201	88626	225				
88374	207	88400	211	88500	183	88562	201	88633	195				
88374	209	88401	213	88501	183	88563	201	88634	195				
88374	213	88440	165	88502	183	88564	203	88635	195				
88374	217	88441	165	88503	183	88565	203	88636	195				
88374	219	88442	165	88504	183	88566	203	88637	197				
88374	223	88443	165	88505	183	88567	203	88638	197				
88374	225	88444	165	88506	183	88568	203	88639	211				
88375	165	88445	165	88507	183	88569	203	88640	211				
88375	167	88446	165	88508	183	88570	203	88641	213				
88375	179	88447	165	88509	183	88571	203	88642	211				
88375	183	88448	165	88510	183	88572	203	88643	211				
88375	185	88449	165	88511	183	88573	203	88644	213				
88375	197	88450	165	88512	183	88574	207	88645	211				
88375	201	88451	165	88513	183	88575	207	88646	211				
88375	203	88452	165	88514	183	88576	207	88647	213				
88375	207	88453	165	88515	183	88577	207	88649	197				
88375	209	88454	165	88516	183	88578	207	88650	213				
88375	213	88455	165	88517	183	88579	207	88651	213				
88375	223	88456	165	88518	183	88580	207	88678	127				
88375	225	88457	165	88519	185	88581	207	88679	29				
88376	165	88458	165	88520	185	88582	207	88680	81				
88376	167	88459	165	88521	185	88583	207	88681	81				
88376	179	88460	165	88522	185	88584	207	88682	81				
88376	183	88461	165	88523	185	88585	207	88683	81				
88376	185	88462	165	88524	185	88586	207	88684	177				
88376	197	88463	165	88525	185	88587	207	88685	177				
88376	201	88464	167	88526	185	88588	207	88686	177				
88376	203	88465	167	88527	185	88592	209	88687	177				

CONST**R****UKTOR**

www.construktor.com

POLSKI PARTNER
FIRMY:

teCom
Technology Components